


Wireless Handle Configuration – Network Card Solution

Note: A wired connection is required for the initial wireless setup of the scanner. Please ensure your device is properly connected to your computer. Check the Quick Guide file attached in the USB drive for operation. The detailed wireless connection steps are as follows:

1. Network Card Connection

(with BrosTrend AC1200 WiFi Adapter and TP-Link Archer T3U AC1300 WiFi Adapter as an example)

1. Following the successful establishment of a wired connection to the scanner, the network card must be configured within the 3DeVOK Studio software. Click the  icon in the lower-left corner of the software to enter the connection settings, as shown in Figure 1-1.

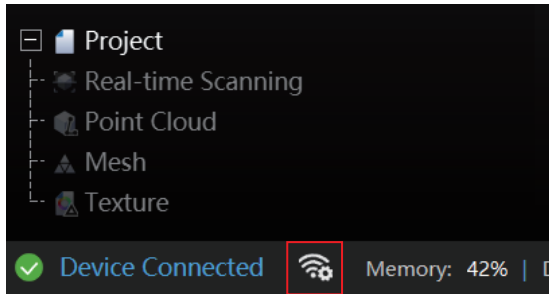


Figure 1-1 Wireless Handle Connection Settings Icon

2. Select "WiFi Network Card" in the Connection Mode. Click "OK" to confirm, as shown in Figure 1-2.

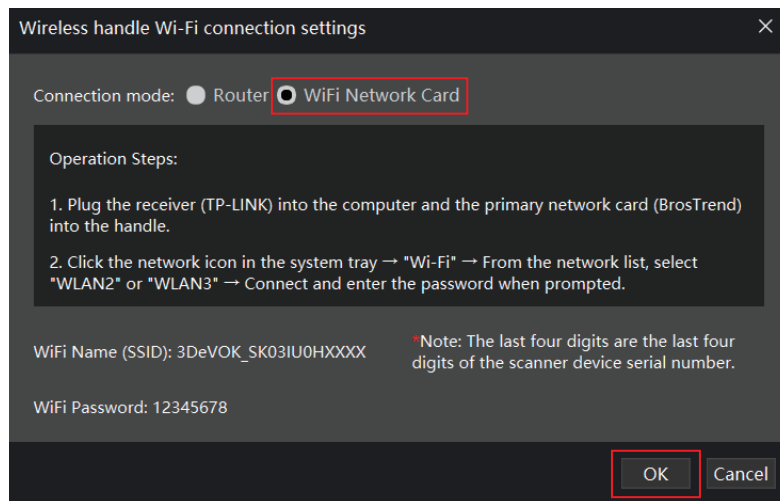


Figure 1-2 Wireless Handle Connection Settings Icon - Network Card

2. Wireless Handle Connection – Network Card Solution

After completing the WiFi Network Card setup, proceed with the assembly and wireless connection of the handle. The assembly and connection steps are as follows:

1. Insert the BrosTrend AC1200 WiFi Adapter (hereinafter referred to as the **Primary Network Card**) into the USB 3.0 port at the bottom of the wireless handle. Then, insert the TP-Link Archer T3U AC1300 WiFi Adapter (hereinafter referred to as the **Receiver**) into a USB 3.0 port on the computer, as shown in Figure 2-1.



Figure 2-1 Assembly of the Primary Network Card and the Receiver

2. Insert the battery into the battery compartment of the handle and close the protective cover.

3. Remove the threaded hole protective cover from the scanner, align the screw on the wireless handle bracket with the threaded hole, and hand-tighten the screw to ensure a secure, as shown in Figure 2-2 (①).

4. Insert the network card into the slot at the bottom of the handle, as shown in Figure 2-2 (②).

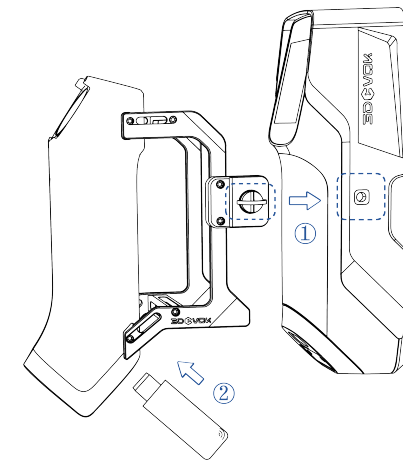



Figure 2-2 Assembly of Wireless Handle-Network Card Solution

5. Insert the data cable of handle into the TYPE-C port at the rear of the wireless handle, and remove the wired cable at the rear of the scanner. Then, connect the data cable of handle to the TYPE-C port of scanner, and tighten the screw.

6. Long press the power button of the handle to turn it on.

7. Click the system tray  icon, select "WLAN2" (or "WLAN3" on some computers, which may vary). Find the WiFi named 3DeVOK_SK03IU0HXXXX (where XXXX represents the last four digits of the currently connected scanner's serial number), then click "Connect", as shown in Figure 2-3.

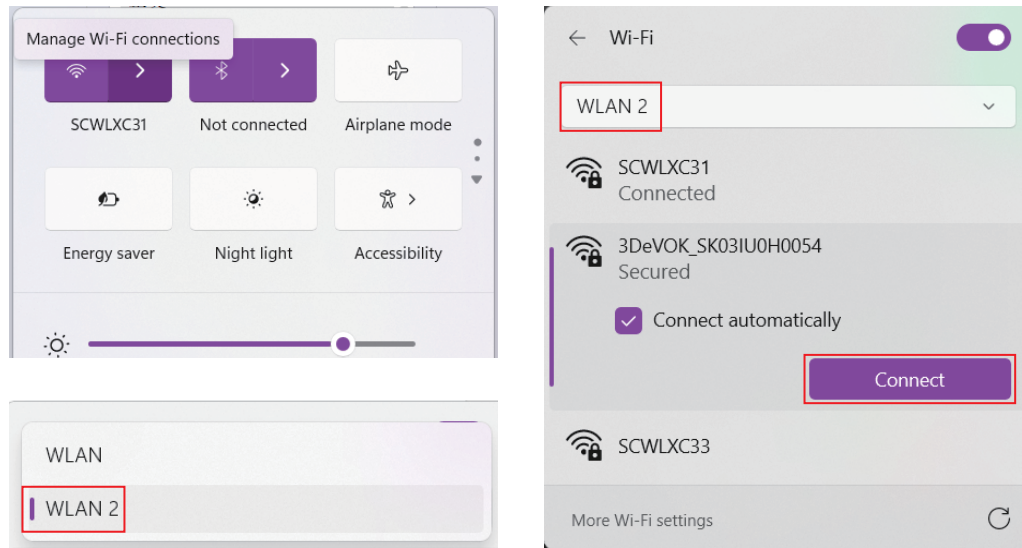


Figure 2-3 Connect Network Card WiFi

8. Import the WiFi password, which shall be "12345678".

9. Wait for the middle indicator light on the light strip to change from blinking blue to steady blue, and then to steady green, indicating a successful wireless connection.

Note:

- 3DeVOK_SK03IU0HXXXX indicates the connected device is MT.
For MQ device, the WiFi name shall be "3DeVOK_SK03IU0GXXXX".
- **To switch network card connection between multiple devices, the following steps are mandatory:**
 1. Establish a wired connection to the new device;
 2. Redeploy the network adapter configuration;
 3. Reconnect to the WLAN2/3.

The overall connection of wireless handle - network card solution is shown in Figure 2-4.

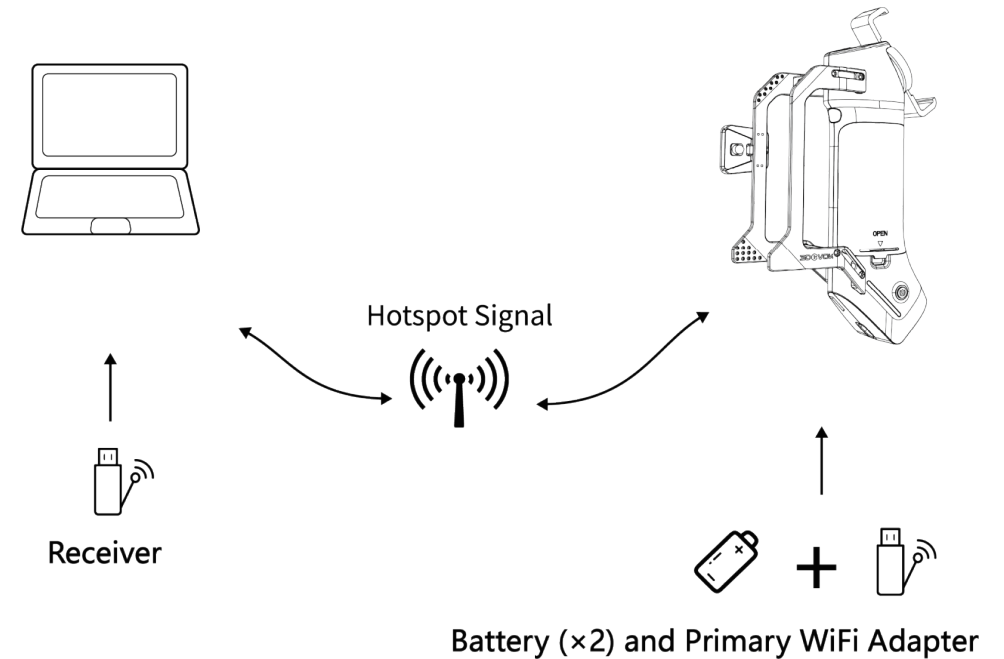


Figure 2-4 The Overall Connection of Wireless Handle - Network Card Solution