

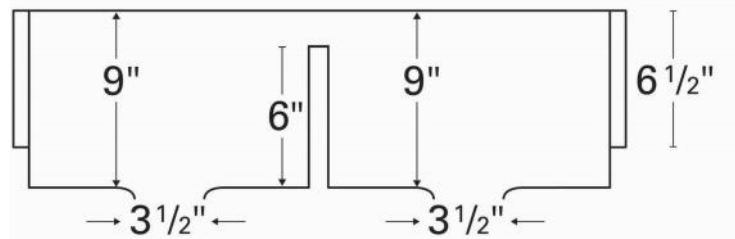
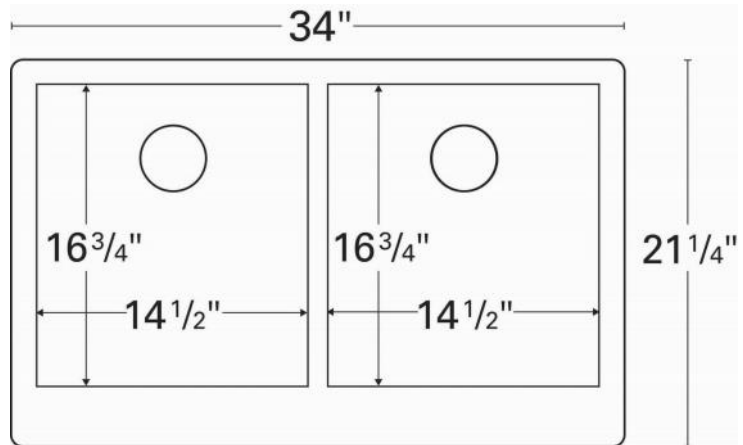
Karran quartz sinks are manufactured from durable quartz composite material that makes them incredibly tough and resilient to even the toughest daily kitchen tasks. They contain 80% natural quartz crystals and 20% high performance acrylic resins. These materials provide high scratch, stain, chip and heat resistance. This QAR model is designed to fit into a standard 36" sink base cabinet and comes complete with stainless steel bottom grids, stainless steel basket strainers and Luster Pro oil.



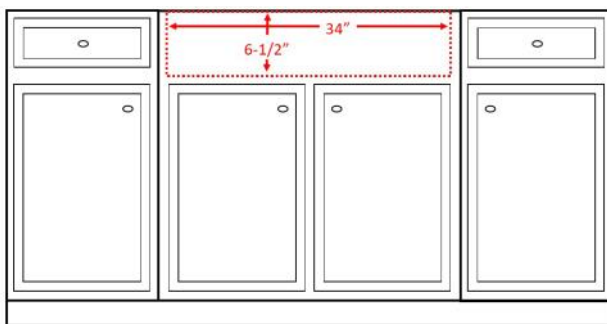
Series:	Quartz QAR Series
Material:	80% quartz / 20% acrylic resin
Installation Type:	Apron front
Configuration:	Double equal bowl
Overall dimensions:	34" x 21-1/4"
Apron depth:	6-1/2"
Left bowl dimensions:	14-1/2" x 16-3/4" x 9"
Right bowl dimensions:	14-1/2" x 16-3/4" x 9"
Drain size:	3-1/2"
Min. cabinet size:	36"
Accessories included:	Stainless steel bottom grids, stainless steel basket strainers and Luster Pro oil.
Finishes / Colors:	Bisque, Concrete, White, Black, Grey, Brown



Sinks are listed with IAPMO and meet the requirements of the Uniform Plumbing Code, International Plumbing Code and the National Plumbing Code of Canada.



INSTALLATION METHOD



OPTIONAL ACCESSORIES

MODELS	COLOR	STRAINER	FLANGE
• QAR-750-WH	White	QBSWH	QDFWH
• QAR-750-BI	Bisque	QBSBI	QDFBI
• QAR-750-BL	Black	QBSBL	QDFBL
• QAR-750-BR	Brown	QBSBR	QDFBR
• QAR-750-CN	Concrete	QBSCN	QDFCN
• QAR-750-GR	Grey	QBSGR	QDFGR

PROJECT INFORMATION

PROJECT: _____
 CONTACT: _____
 DATE: _____
 NOTES: _____

APPROVAL:

We reserve the right to update product specifications without notice. Please visit karran.com for the most current specification sheets. All dimensions are accurate to 1/4". REV 5-2022