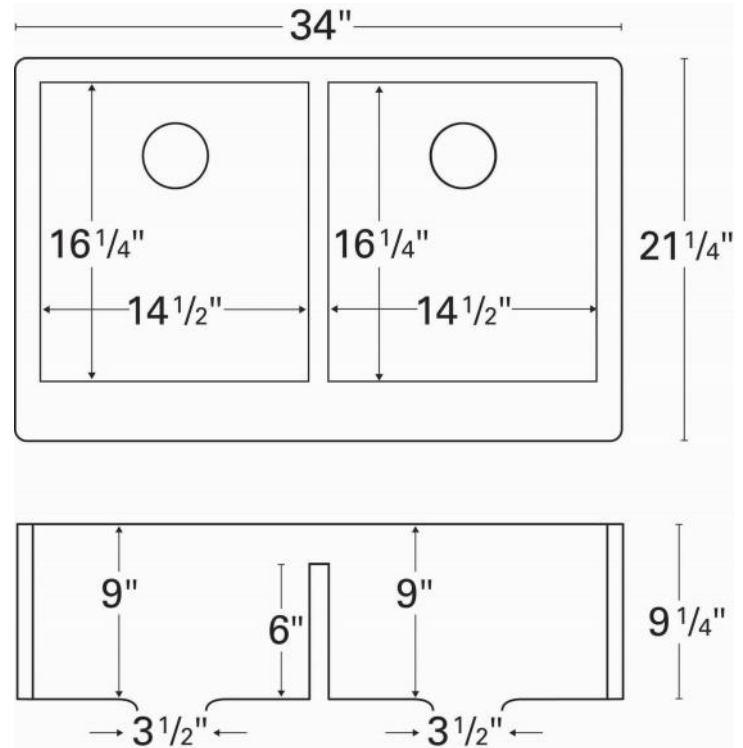


Karran quartz sinks are manufactured from durable quartz composite material that makes them incredibly tough and resilient to even the toughest daily kitchen tasks. They contain 80% natural quartz crystals and 20% high performance acrylic resins. These materials provide high scratch, stain, chip and heat resistance. The under-mount design features a flat, integrated 9-1/4" deep apron. This sink kit comes complete with stainless steel bottom grids, stainless steel basket strainers and Luster Pro oil.

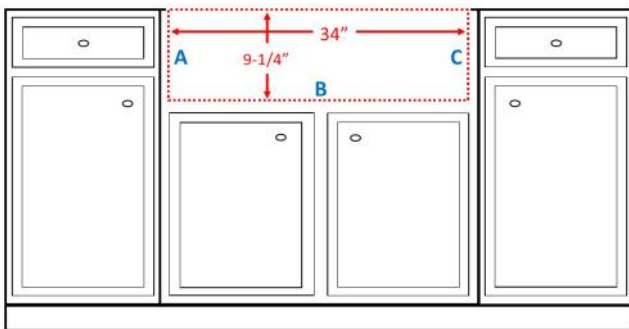
Series:	Quartz QA Series
Material:	80% quartz / 20% acrylic resin
Installation Type:	Apron front
Configuration:	Double equal bowl
Overall dimensions:	34" x 21-1/4"
Apron depth:	9-1/4"
Left bowl dimensions:	14-1/2" x 16-1/4" x 9"
Right bowl dimensions:	14-1/2" x 16-1/4" x 9"
Drain size:	3-1/2"
Min. cabinet size:	36"
Accessories included:	Stainless steel bottom grids, stainless steel basket strainers, Luster Pro oil
Finishes / Colors:	Bisque, Concrete, White, Black, Grey, Brown



Sinks are listed with IAPMO and meet the requirements of the Uniform Plumbing Code, International Plumbing Code and the National Plumbing Code of Canada.



INSTALLATION METHOD



PROJECT INFORMATION

PROJECT: _____
 CONTACT: _____
 DATE: _____
 NOTES: _____

APPROVAL:

OPTIONAL ACCESSORIES

MODELS	COLOR	STRAINER	FLANGE
• QA-750-WH	White	QBSWH	QDFWH
• QA-750-BI	Bisque	QBSBI	QDFBI
• QA-750-BL	Black	QBSBL	QDFBL
• QA-750-BR	Brown	QBSBR	QDFBR
• QA-750-CN	Concrete	QBSCN	QDFCN
• QA-750-GR	Grey	QBSGR	QDFGR

We reserve the right to update product specifications without notice. Please visit karran.com for the most current specification sheets. All dimensions are accurate to 1/4". REV 5-2022