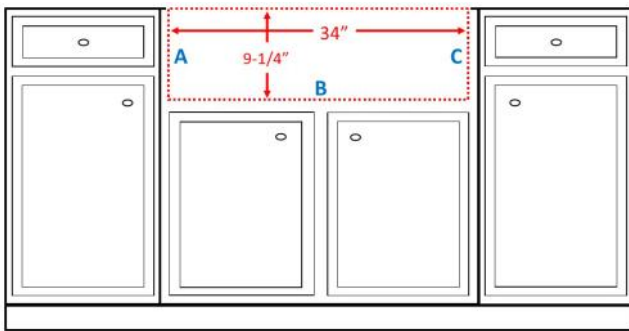


Karran quartz sinks are manufactured from durable quartz composite material that makes them incredibly tough and resilient to even the toughest daily kitchen tasks. They contain 80% natural quartz crystals and 20% high performance acrylic resins. These materials provide high scratch, stain, chip and heat resistance. The undermount design features a flat, integrated 9-1/4" deep apron. This sink kit comes complete with stainless steel bottom grid, stainless steel basket strainer, Luster Pro oil.

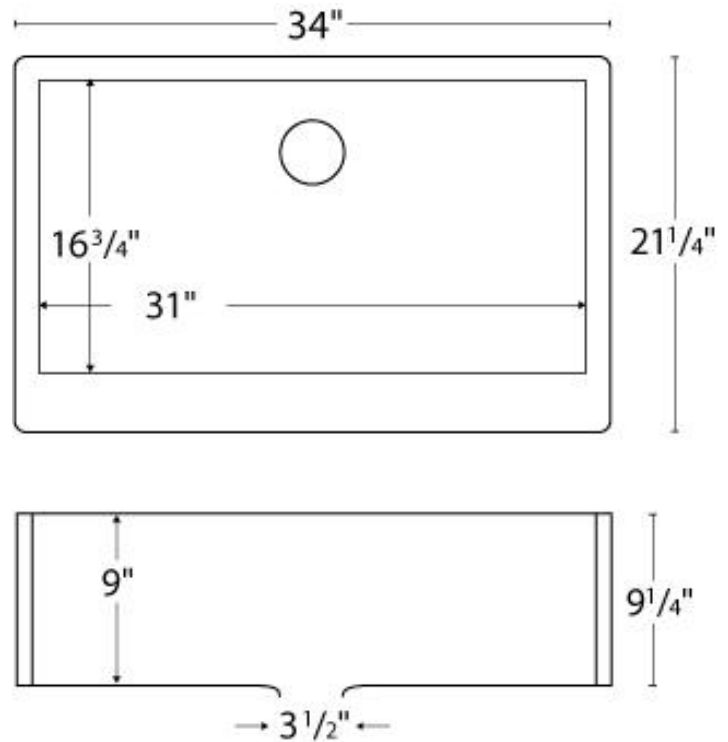
<b>Series:</b>	Quartz QA Series
<b>Material:</b>	80% quartz / 20% acrylic resin
<b>Installation Type:</b>	Apron front
<b>Configuration:</b>	Single bowl
<b>Overall dimensions:</b>	34" x 21-1/4"
<b>Apron depth:</b>	9-1/4"
<b>Bowl dimensions:</b>	31" x 16-3/4" x 9"
<b>Drain size:</b>	3-1/2"
<b>Min. cabinet size:</b>	36"
<b>Accessories included:</b>	Stainless steel bottom grid, stainless steel basket strainer, Luster Pro oil
<b>Finishes / Colors:</b>	Bisque, Concrete, White, Black, Grey, Brown



**INSTALLATION METHOD**



Sinks are listed with IAPMO and meet the requirements of the Uniform Plumbing Code, International Plumbing Code and the National Plumbing Code of Canada.



**PROJECT INFORMATION**

PROJECT: \_\_\_\_\_  
 CONTACT: \_\_\_\_\_  
 DATE: \_\_\_\_\_  
 NOTES: \_\_\_\_\_  
 \_\_\_\_\_  
 \_\_\_\_\_

**APPROVAL:**

**OPTIONAL ACCESSORIES**

MODELS	COLOR	STRAINER	FLANGE
• QA-740-WH	White	QBSWH	QDFWH
• QA-740-BI	Bisque	QBSBI	QDFBI
• QA-740-BL	Black	QBSBL	QDFBL
• QA-740-BR	Brown	QBSBR	QDFBR
• QA-740-CN	Concrete	QBSCN	QDFCN
• QA-740-GR	Grey	QBSGR	QDFGR

We reserve the right to update product specifications without notice. Please visit [karran.com](http://karran.com) for the most current specification sheets. All dimensions are accurate to 1/4". REV 5-2022