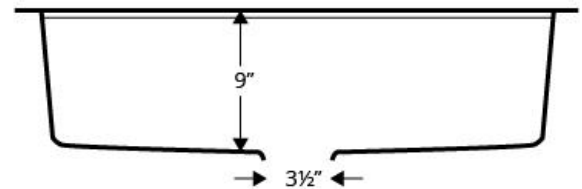
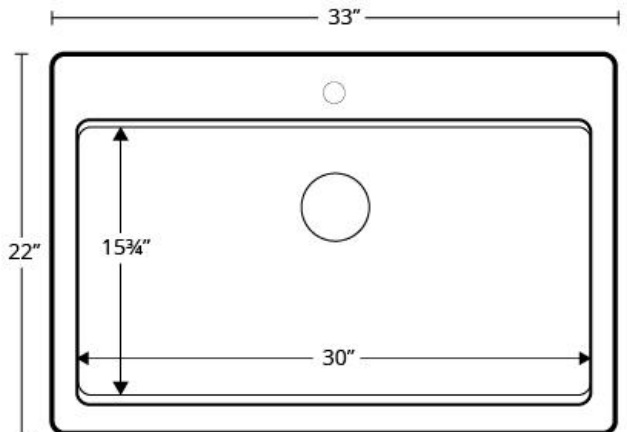


Karran quartz sinks are manufactured from durable quartz composite material that makes them incredibly tough and resilient to even the toughest daily kitchen tasks. They contain 80% natural quartz crystals and 20% high performance acrylic resins. These materials provide high scratch, stain, chip and heat resistance. This easy-to-install top mount design is 33" x 22" in size and is available in a selection of 6 elegant color choices. It comes complete with an assortment of accessories

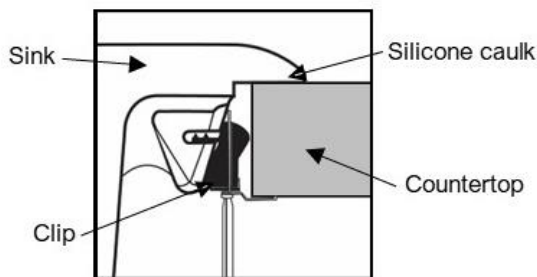
Series:	Quartz QT Series
Material:	80% quartz / 20% acrylic resin
Installation Type:	Top mount / drop-in
Configuration:	Large single bowl workstation
Overall dimensions:	33" x 22"
Bowl dimensions:	30" x 15-3/4" x 9"
Drain size:	3-1/2"
Min. cabinet size:	33"
Template included:	Yes
Clips included:	Yes
Finishes / Colors:	Bisque, Concrete, White, Black, Grey, Brown



Sinks are listed with IAPMO and meet the requirements of the Uniform Plumbing Code, International Plumbing Code and the National Plumbing Code of Canada.



INSTALLATION METHOD



INCLUDED ACCESSORIES

MODELS	COLOR	STRAINER BASKET	CUTTING BOARD	COLANDER	DRYING RACK	GRID
•QTWS-875-WH	White	YES	YES	YES	YES	YES
•QTWS-875-BI	Bisque	YES	YES	YES	YES	YES
•QTWS-875-BL	Black	YES	YES	YES	YES	YES
•QTWS-875-BR	Brown	YES	YES	YES	YES	YES
•QTWS-875-CN	Concrete	YES	YES	YES	YES	YES
•QTWS-875-GR	Grey	YES	YES	YES	YES	YES

We reserve the right to update product specifications without notice. Please visit karran.com for the most current specification sheets. All dimensions are accurate to 1/4". REV 5-2022

PROJECT INFORMATION

PROJECT: _____

CONTACT: _____

DATE: _____

NOTES: _____

APPROVAL: