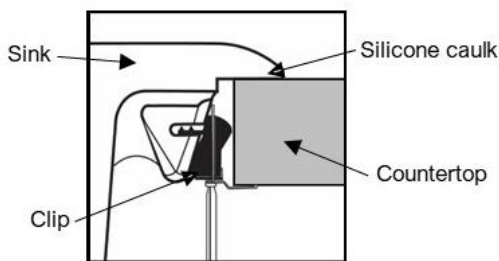


Karran quartz sinks are manufactured from durable quartz composite material that makes them incredibly tough and resilient to even the toughest daily kitchen tasks. They contain 80% natural quartz crystals and 20% high performance acrylic resins. These materials provide high scratch, stain, chip and heat resistance. This easy-to-install top mount design is 25" x 22" in size and is available in a selection of 6 elegant color choices.

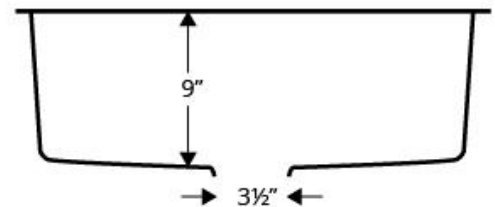
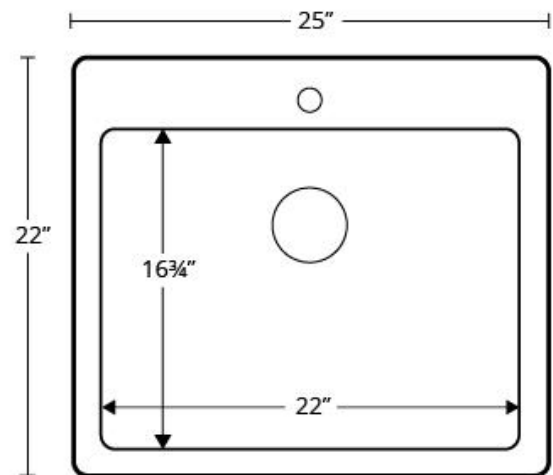
Series:	Quartz QT Series
Material:	80% quartz / 20% acrylic resin
Installation Type:	Top mount / drop-in
Configuration:	Single bowl
Overall dimensions:	25" x 22"
Bowl dimensions:	22" x 16-3/4" x 9"
Drain size:	3-1/2"
Min. cabinet size:	27"
Template / clips included:	Yes
Accessories included:	Stainless steel basket strainer, stainless steel bottom grid, Luster Pro cleaning oil
Finishes / Colors:	Bisque, Concrete, White, Black, Grey, Brown



INSTALLATION METHOD



Sinks are listed with IAPMO and meet the requirements of the Uniform Plumbing Code, International Plumbing Code and the National Plumbing Code of Canada.



PROJECT INFORMATION

PROJECT: _____
 CONTACT: _____
 DATE: _____
 NOTES: _____

APPROVAL:

OPTIONAL ACCESSORIES

MODELS	COLOR	STRAINER	FLANGE
• QT-820-WH	White	QBSWH	QDFWH
• QT-820-BI	Bisque	QBSBI	QDFBI
• QT-820-BL	Black	QBSBL	QDFBL
• QT-820-BR	Brown	QBSBR	QDFBR
• QT-820-CN	Concrete	QBSCN	QDFCN
• QT-820-GR	Grey	QBGR	QDFGR

We reserve the right to update product specifications without notice. Please visit karran.com for the most current specification sheets. All dimensions are accurate to 1/4". REV 5-2022