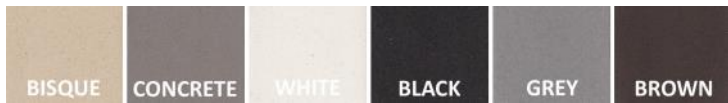
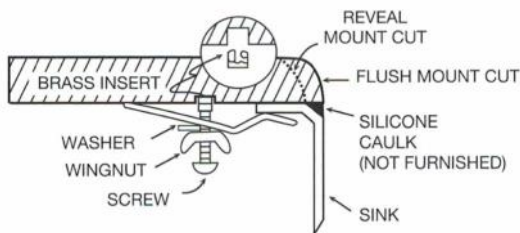


Karran quartz sinks are manufactured from durable quartz composite material that makes them incredibly tough and resilient to even the toughest daily kitchen tasks. They contain 80% natural quartz crystals and 20% high performance acrylic resins. These materials provide high scratch, stain, chip and heat resistance. This stylish undermount design is available in a selection of 6 elegant color choices.

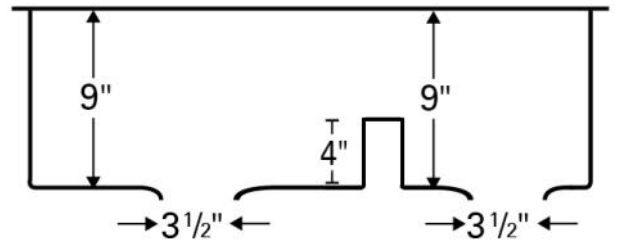
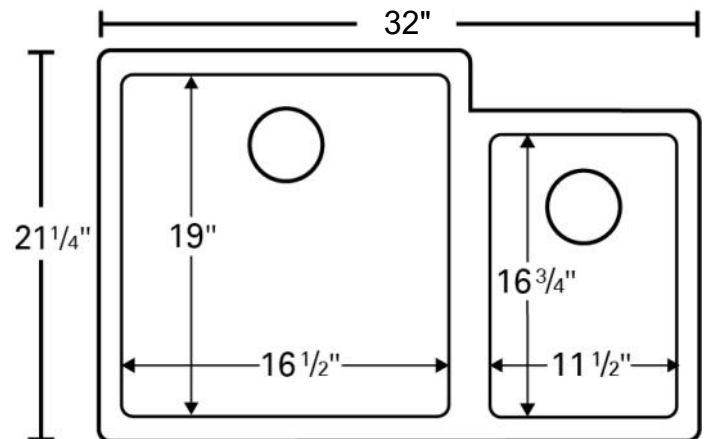
| | |
|-----------------------------------|---|
| Series: | Quartz QU Series |
| Material: | 80% quartz / 20% acrylic resin |
| Installation Type: | Undermount |
| Configuration: | Large/small bowl |
| Overall dimensions: | 32" x 19-1/2" |
| Left bowl dimensions: | 16-1/2" x 19" x 9" |
| Right bowl dimensions: | 11-1/2" x 16-3/4" x 9" |
| Drain size: | 3-1/2" |
| Min. cabinet size: | 36" |
| Template / clips included: | Yes |
| Accessories included: | Stainless steel basket strainers, stainless steel bottom grids, Luster Pro cleaning oil |
| Finishes / Colors: | Bisque, Concrete, White, Black, Grey, Brown |



INSTALLATION METHOD



Sinks are listed with IAPMO and meet the requirements of the Uniform Plumbing Code, International Plumbing Code and the National Plumbing Code of Canada.



PROJECT INFORMATION

PROJECT: _____

CONTACT: _____

DATE: _____

NOTES: _____

APPROVAL:

OPTIONAL ACCESSORIES

| MODELS | COLOR | STRAINER | FLANGE |
|-------------|----------|----------|--------|
| • QU-811-WH | White | QBSWH | QDFWH |
| • QU-811-BI | Bisque | QBSBI | QDFBI |
| • QU-811-BL | Black | QBSBL | QDFBL |
| • QU-811-BR | Brown | QBSBR | QDFBR |
| • QU-811-CN | Concrete | QBSCN | QDFCN |
| • QU-811-GR | Grey | QBSGR | QDFGR |

We reserve the right to update product specifications without notice. Please visit karran.com for the most current specification sheets. All dimensions are accurate to 1/4". REV 05-2022