

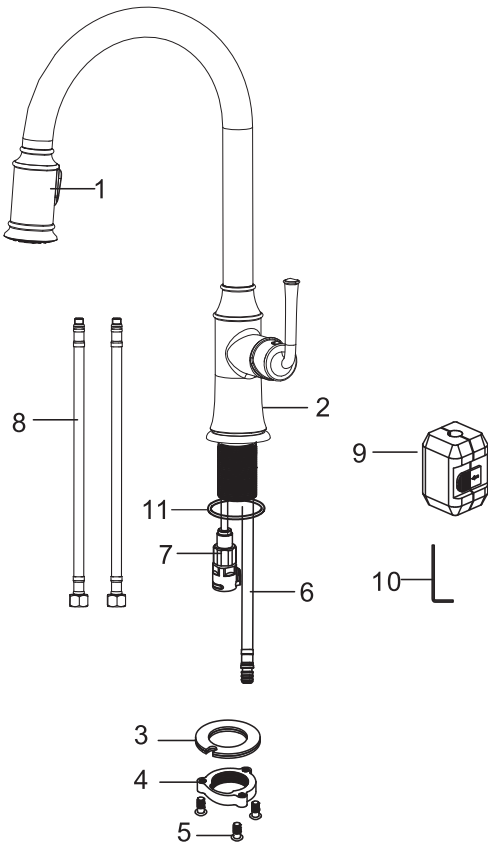
Karran[®]

INSTALLATION GUIDE

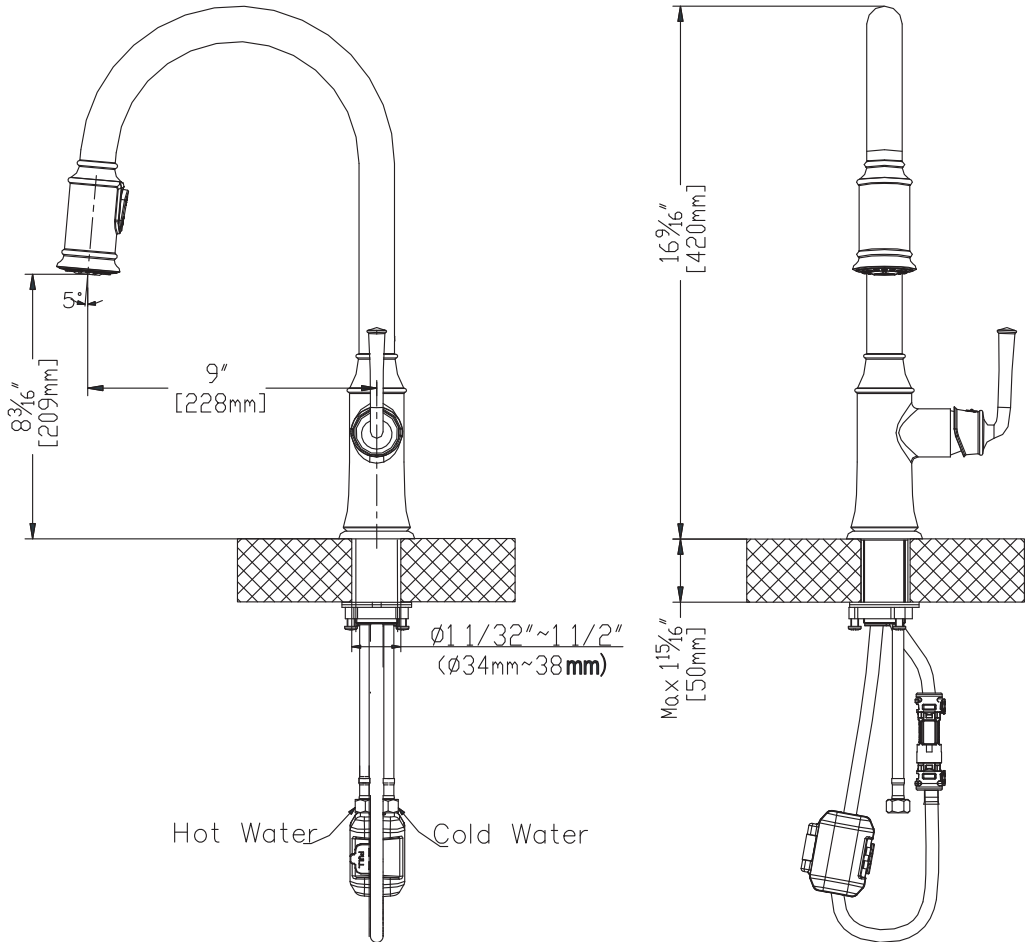


Auburn

Models: KKF310SS KKF310MB
KKF310GG

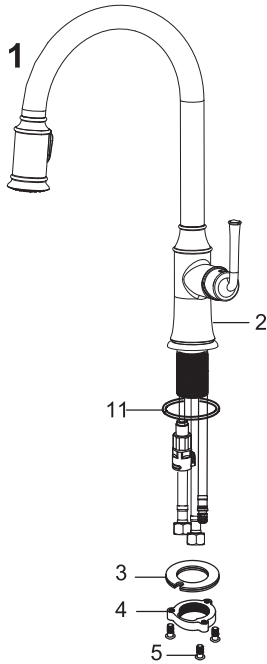


1. Spray Head
2. Faucet Body
3. Rubber&Metal Washer
4. Mounting Nut
5. Mounting Screws
6. Spray Hose
7. Quick Connector
8. Hot&Cold Water Lines
9. Weight
10. Hex Wrench
11. O-ring



INSTALLATION GUIDE

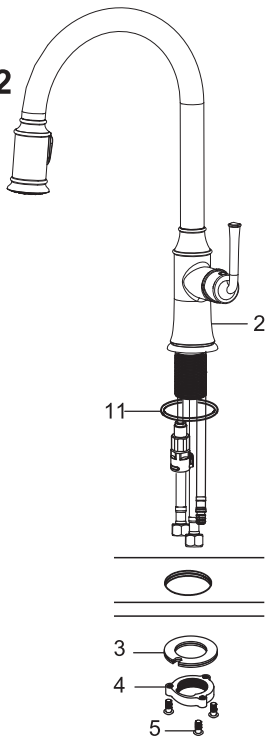
STEP 1



1. Remove the mounting nut (#4), rubber&metal washer (#3) from the faucet body (#2).



STEP 2

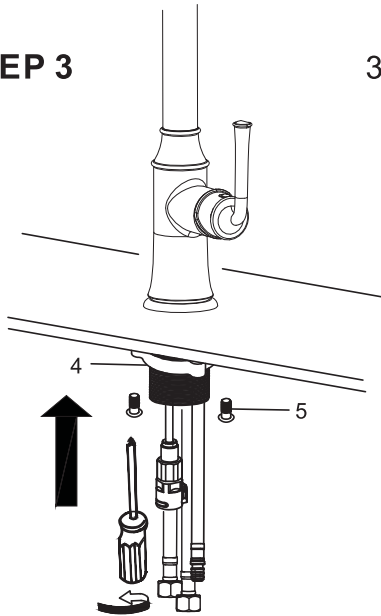


2. Insert the main body into the hole with the o-ring (#11),refix the rubber&metal washer (#3) and mounting nut (#4) from the faucet bottom.



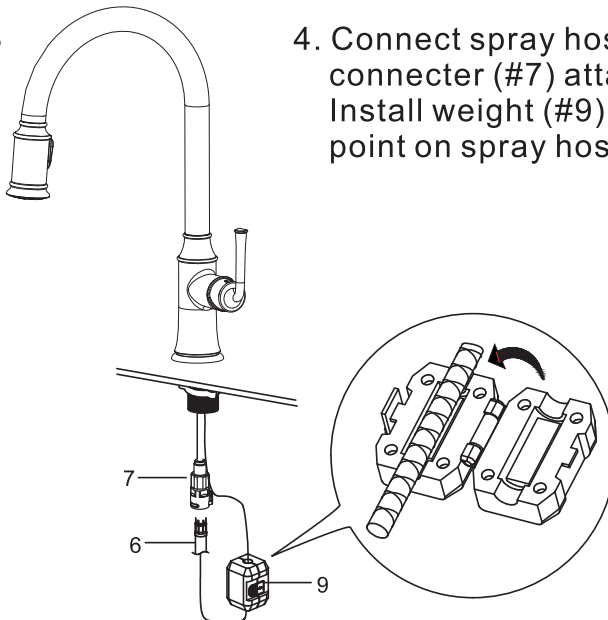
INSTALLATION GUIDE

STEP 3



3. After adjusting the direction of the main body, tighten the mounting nut (#4) with hands and tighten the mounting screws (#5) with a Philips screwdriver.

STEP 4

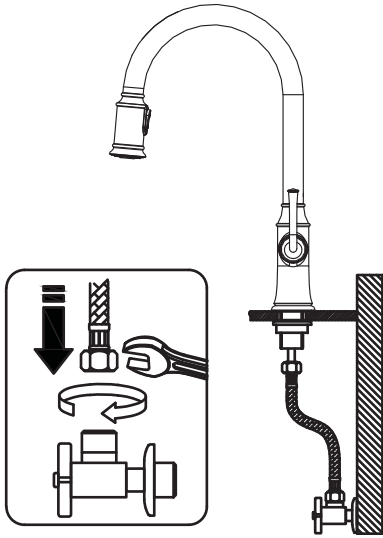


4. Connect spray hose (#6) to quick connector (#7) attached to supply line. Install weight (#9) on lowest vertical point on spray hose (#6).

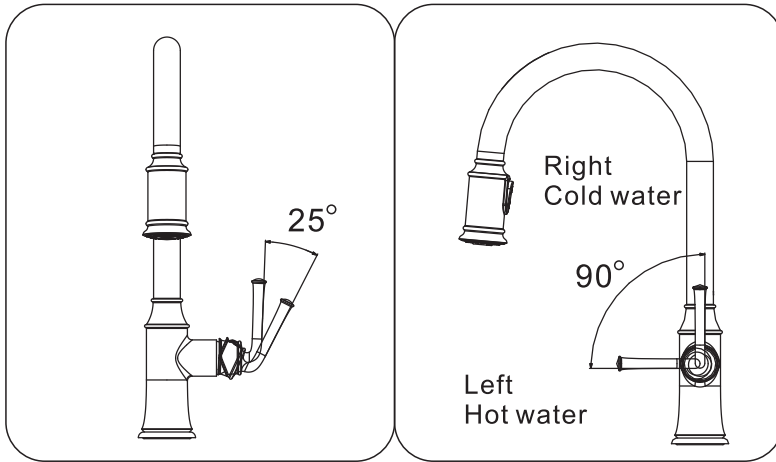
INSTALLATION GUIDE

STEP 5

5. Connect the water lines to outlet tightly.
Turn on the outlet and check for leaks.



How to operate the handle:

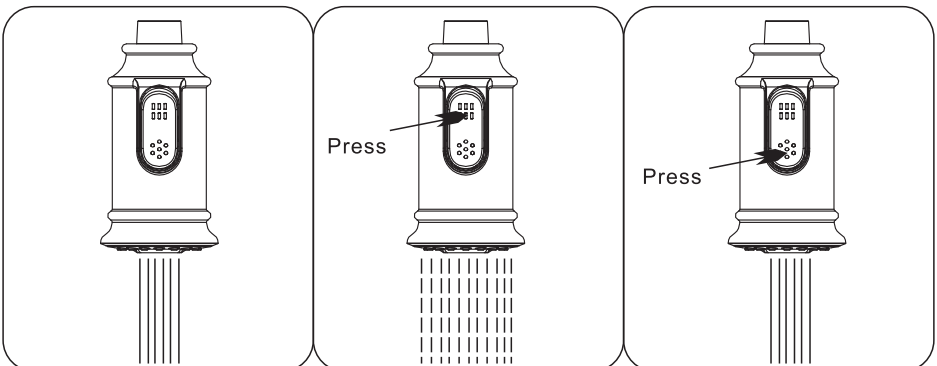


1. Open the handle lever to turn water on. Push to turn off.
2. Turn the handle lever to the left to increase hot water flow with higher water temperature. Lower the water temperature by operating reversely.

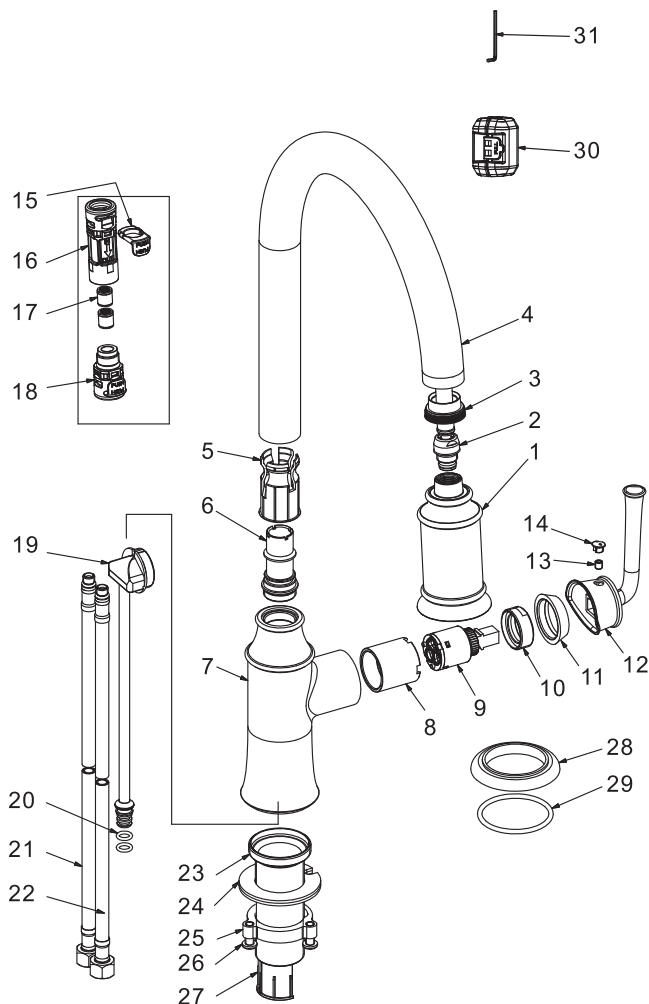
Spray

The operation of the spray diverter:

1. When first turned on, water comes from aerator.
2. Press button back, water comes from nozzles.
3. Press button front, water comes from aerator.
4. Diverter button automatically returns to normal position once handle closed.



REPLACEMENT PARTS



No.	Description	Finish/Color	Item No.
1	Spray	SS,MB,GG	F2576B
2	Spray Hose		H569177
3	Pull-out Protector		5SJ569177
4	Spout	SS,MB,GG	50G569177
5	Wear Reducing Sleeve		5SJ569110
6	Connector		5YJ569110
7	Body	SS,MB,GG	50T569177
8	Cartridge Housing		52T569100
9	Cartridge		J10250MZ00
10	Lock Nut		5YG56472
11	Trim Cap	SS,MB,GG	5ZG569058
12	Handle	SS,MB,GG	50P25VGM2
13	Set Screw		8EM5X5
14	Index		80N81051
15	Snap Ring		8SJ56226
16	Quick Connect Sleeve		5SJ56E92
17	Check Valve		J92031NP3
18	Quick Connector		JT56226
19	Welding core		51T569177G
20	O-ring		8J11X2A
21	Cold Water Line		G69703SR05
22	Hot Water Line		G69703SR04
23	Threaded sleeve		53T25328
24	Rubber Washer		N56U26
25	Mounting Nut		9NM56Z55
26	Mounting Screw		8RM6X15
27	Pull-out Protector		5HT56068
28	Base	SS,MB,GG	9DZ40A00
29	O-ring		8J51X3
30	Weight		5QQ569113
31	Allen Key		8BS25

*Denotes faucet component color options:

SS - Stainless Steel

MB - Matte Black

GG - Gunmetal Grey