

# **Karran**<sup>®</sup>

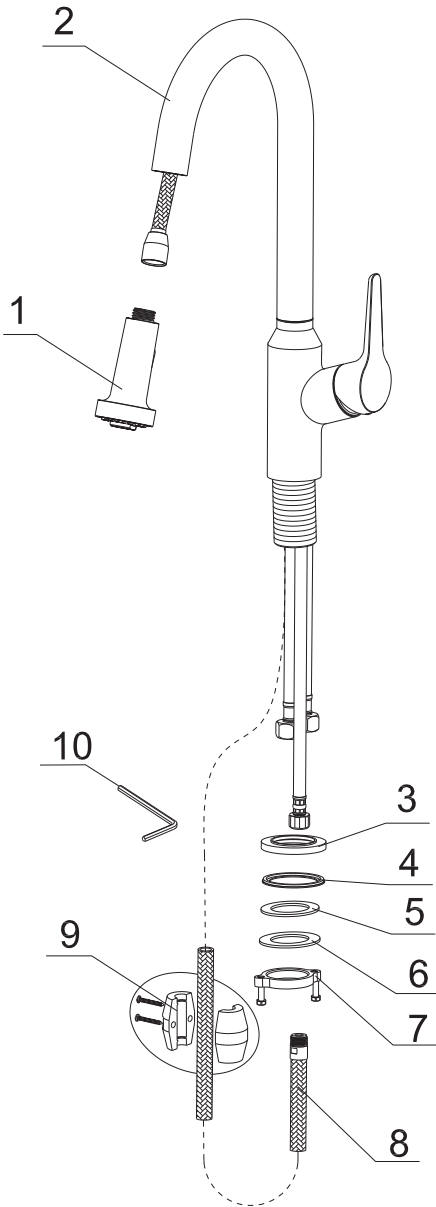
## INSTALLATION GUIDE



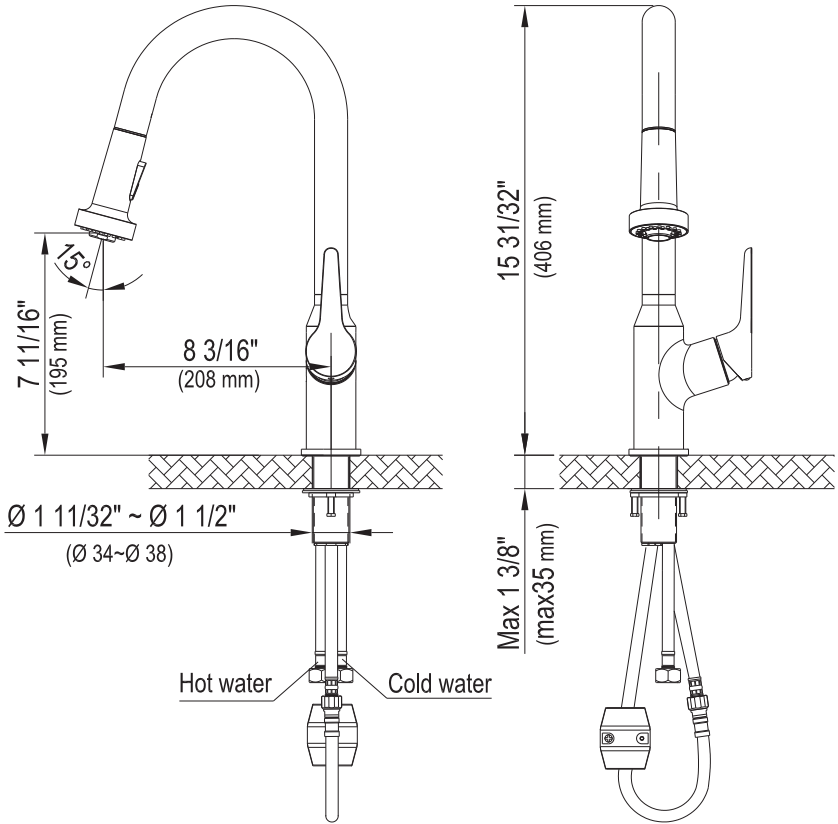
## **Dockton**

**Models:** KKF250C

KKF250SS



The Component List	Qty.
1. Spray Head	1
2. Main Body	1
3. Base	1
4. Rubber Washer A	1
5. Rubber Washer B	1
6. Metal Washer	1
7. Mounting Hardware	1
8. Spray hose	2
9. Weight	1
10. Hex Wrench	1

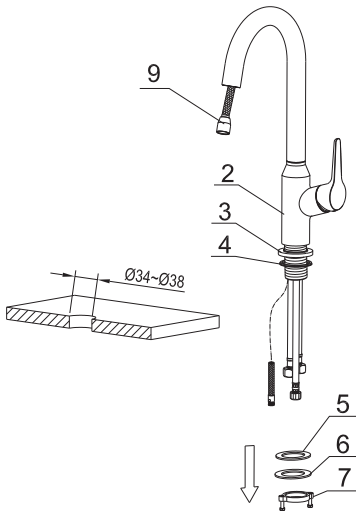


# INSTALLATION GUIDE

---

## STEP 1

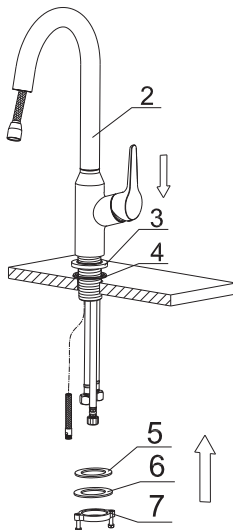
---



1. Remove the mounting hardware(7), metal washer(6) and rubber washer B(5) from the main body(2):

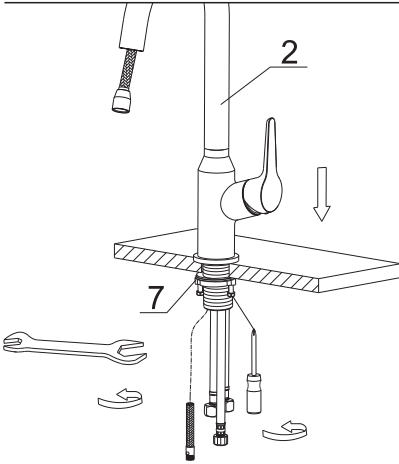
## STEP 2

---



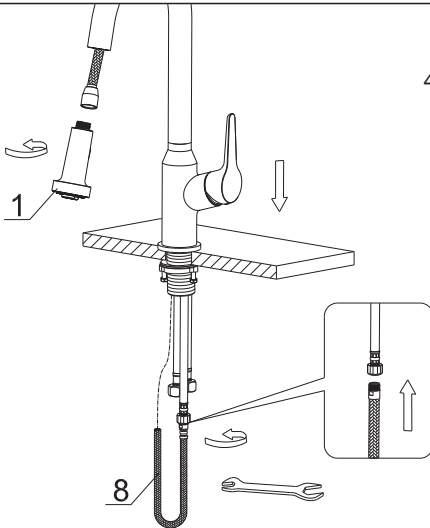
2. Insert the main body into the hole with the base(3) and rubber washer A(4), refix the rubber washer B(5), metal washer(6) and mounting hardware(7) from the bottom.

## STEP 3



3. After adjusting the direction of the main body(2), tighten the mounting hardware (7) with hands and tighten the screws with a Philips screwdriver.

## STEP 4



4. Connect the spray hose(8) and spray head(1) to finish installation.

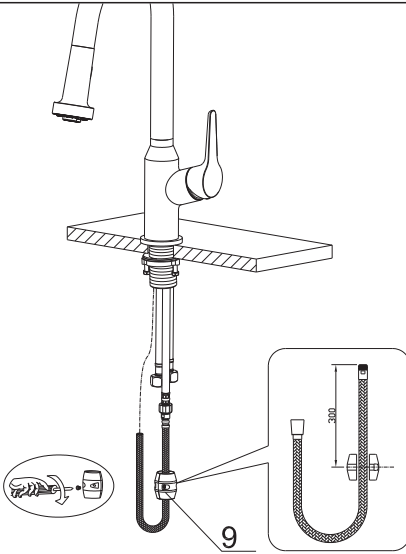
# INSTALLATION GUIDE

---

## STEP 5

---

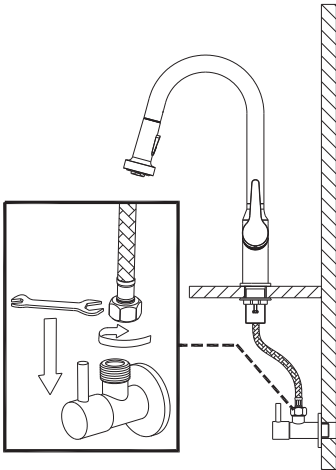
5. Attach the weight(9) on the spray hose(8).



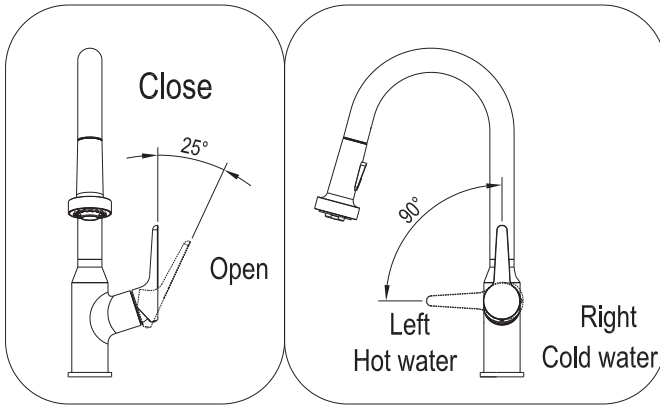
## STEP 6

---

6. Connect the waterlines to outlet tightly.  
Turn on the outlet and check for leaks.



## How to operate the handle:

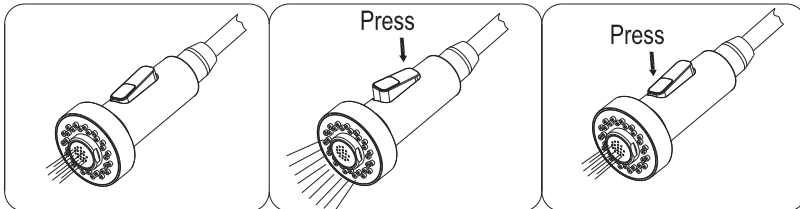


- 1) Open the handle lever to turn water on. Push to turn off.
- 2) Turn the handle lever to the left to increase hot water flow with higher water temperature, while lower the water temperature by operating reversely.

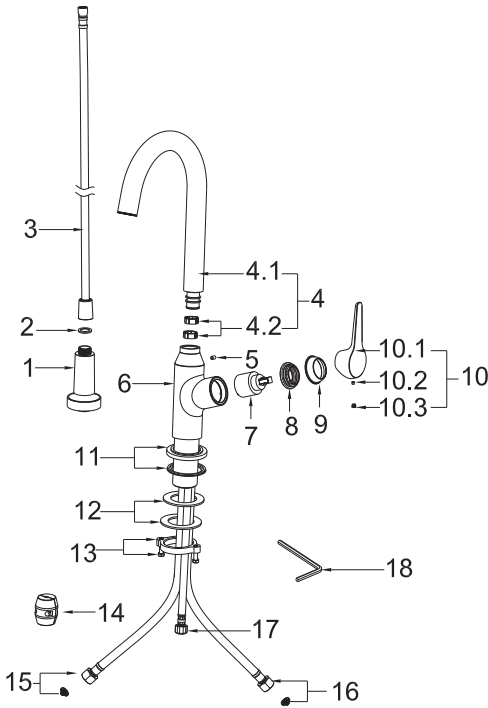
## Spray

The operation of the spray diverter:

- 1) When first turned on, water comes from aerator.
- 2) Press botton back, water comes from nozzles.
- 3) Press botton front, water comes from aerator.
- 4) Diverter button automatically returns to normal position once handle closed.



# REPLACEMENT PARTS



No.	Description	Finishes/Colors	Item No.
1	Spray Head	C, SS	500301912**
2	Washer		70020038930
3	Spray Hose	C, SS	500401611**
4	Spout Kit	C, SS	300300386**
5	Set Screw		50060039700
6	Main Body	C, SS	100300518**
7	35A Cartridge		20060010900
8	Nut		40060199252
9	Cap	C, SS	500101091**
10	Handle	C, SS	200100446**
11	Base	C, SS	500101638**
12	Rubber & Metal Washer		70020037354
13	Mounting Hardware		40060185018
14	Weight		50020066700
15	Hot Waterline		50042068521
16	Cold Waterline		50042068526
17	Supply Hose		50040196200
18	Hex Wrench		50060003700

\*\* Denotes faucet component color options:

C - Chrome

SS - Spot Free Stainless Steel