

Karran[®]

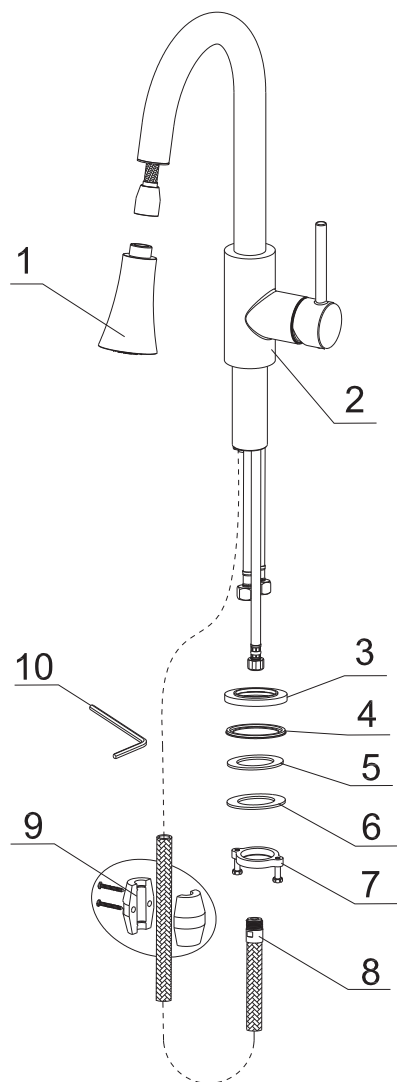
INSTALLATION GUIDE



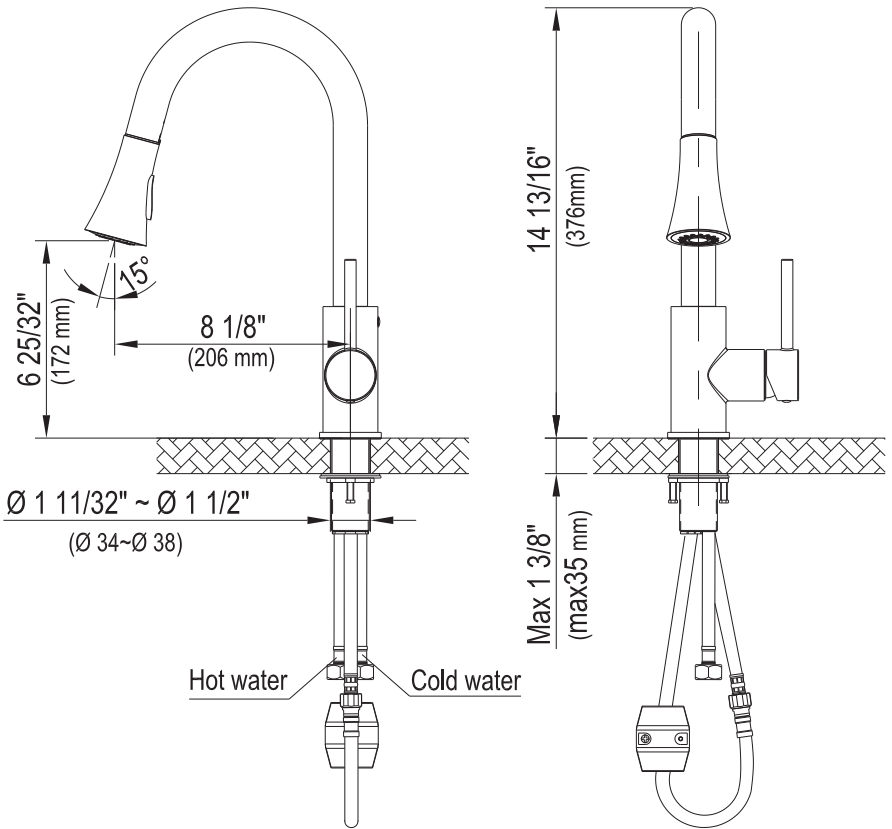
Weybridge

Models: KKF240C

KKF240SS

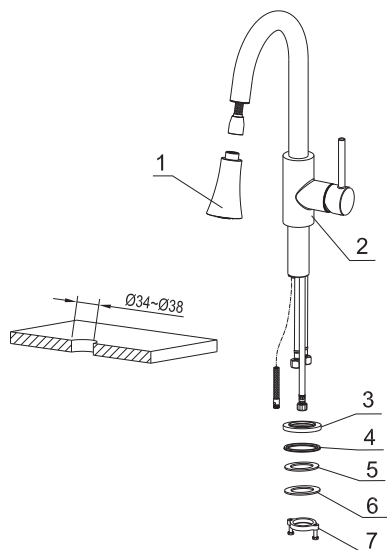


| The Component List | Qty. |
|----------------------|------|
| 1. Spray Head | 1 |
| 2. Main Body | 1 |
| 3. Base | 1 |
| 4. Rubber Washer A | 1 |
| 5. Rubber Washer B | 1 |
| 6. Metal Washer | 1 |
| 7. Mounting Hardware | 1 |
| 8. Spray Hose | 1 |
| 9. Weight | 1 |
| 10. Hex Wrench | 1 |



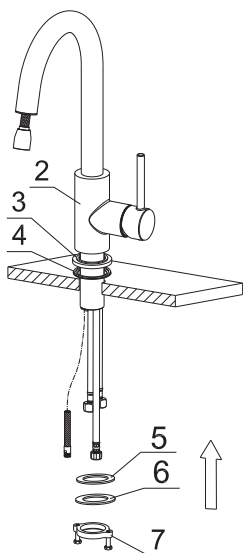
INSTALLATION GUIDE

STEP 1



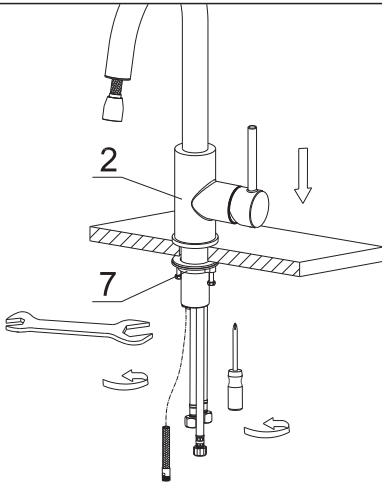
1. Remove the mounting hardware(7), metal washer(6), rubber washer B(5) from the main body(2);

STEP 2



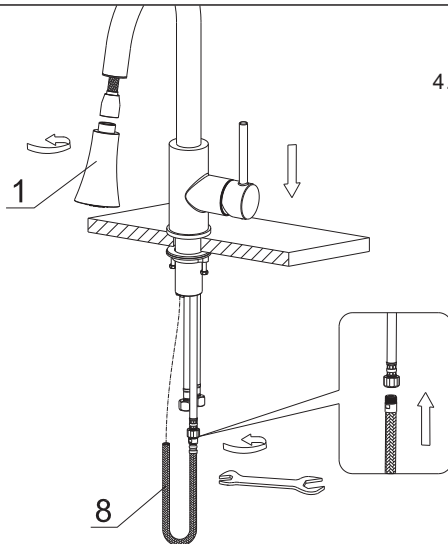
2. Insert the main body into the hole with base(3) and rubber washer A(4), refix the rubber washer B(5), metal washer(6) and mounting hardware(7) from the bottom.

STEP 3



3. After adjusting the direction of the main body(2), tighten the mounting nut(7) with hands and tighten the screws with a Philips screwdriver.

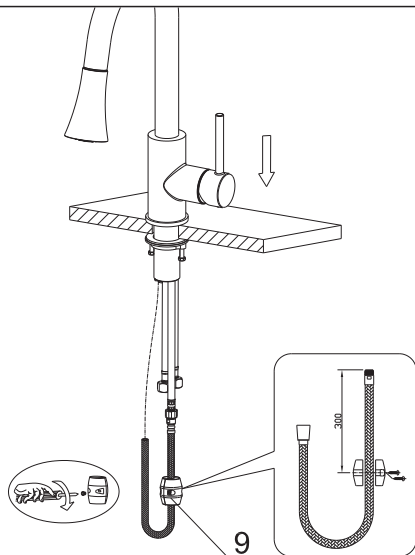
STEP 4



4. Connect the spray hose(8) and spray head(1) to finish installation.

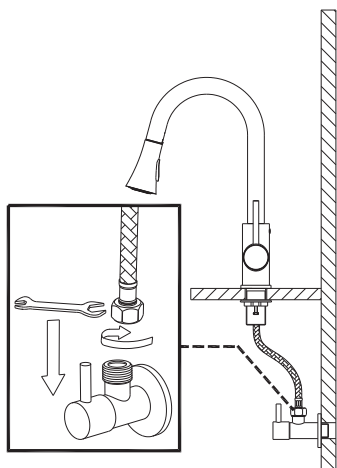
INSTALLATION GUIDE

STEP 5



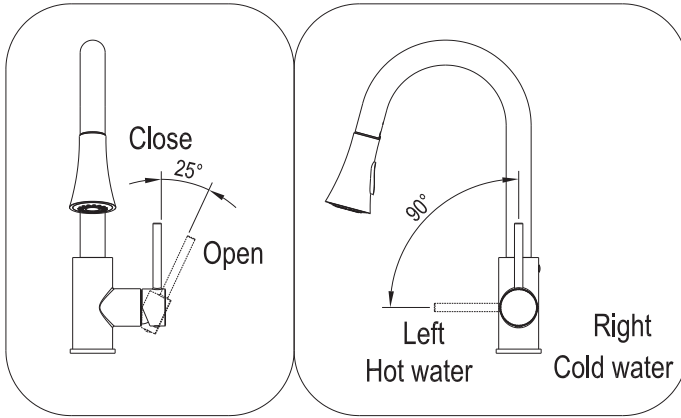
5. Attach the weight(9) on the spray hose(8).

STEP 6



6. Connect the waterlines to outlet tightly.
Turn on the outlet and check for leaks.

How to operate the handle:

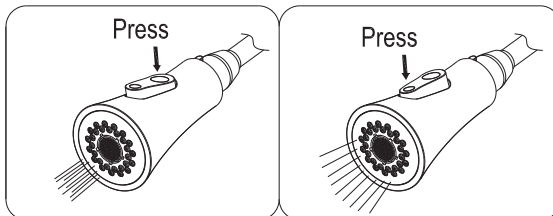


- 1) Open the handle lever to turn water on. Push to turn off.
- 2) Turn the handle lever to the left to increase hot water flow with higher water temperature, while lower the water temperature by operating reversely.

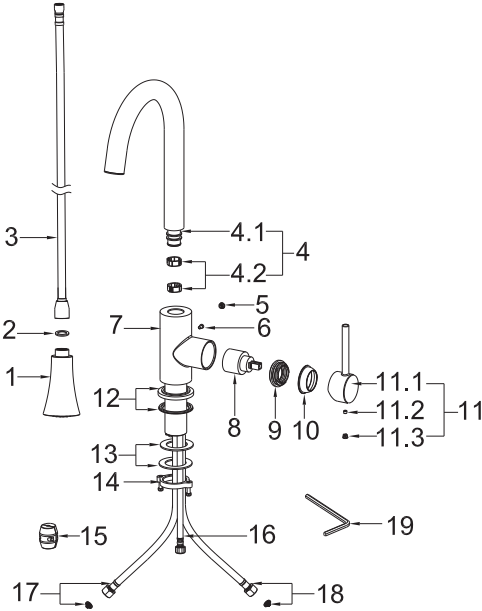
Spray

The operation of the spray diverter:

- 1) When first turned on, water comes from aerator.
- 2) Press the botton back, stream water comes from aerator.
- 3) Press the botton front, spray water comes from nozzles.



REPLACEMENT PARTS



| No. | Description | Finishes/colors | Item No. |
|-----|-----------------------|-----------------|-------------|
| 1 | Spray Head | C, SS | 500300614** |
| 2 | Washer | | 70020038930 |
| 3 | Spray Hose | C, SS | 500401611** |
| 4 | Spout Kit | C, SS | 300300387** |
| 5 | Cover Button | | 50010103731 |
| 6 | Set Screw | | 50060033800 |
| 7 | Main Body | C, SS | 100300521** |
| 8 | 35A Cartridge | | 20060010900 |
| 9 | Nut | | 40060199252 |
| 10 | Cap | C, SS | 500101091** |
| 11 | Handle | C, SS | 200100371** |
| 12 | Base | C, SS | 500101557** |
| 13 | Rubber & Metal Washer | | 70020037354 |
| 14 | Mounting Hardware | | 40060185018 |
| 15 | Weight | | 50020066700 |
| 16 | Supply Hose | | 50042068821 |
| 17 | Hot Waterline | | 50042078821 |
| 18 | Cold Waterline | | 50042078826 |
| 19 | Hex Wrench | | 50060003700 |

** Denotes faucet component color options:

C - Chrome

SS - Spot Free Stainless Steel