

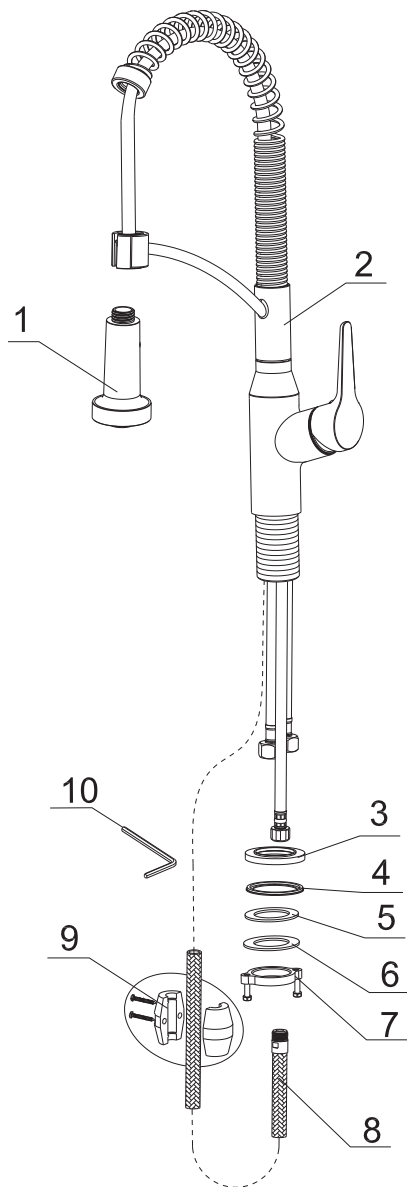
# **Karran<sup>®</sup>**

## **INSTALLATION GUIDE**

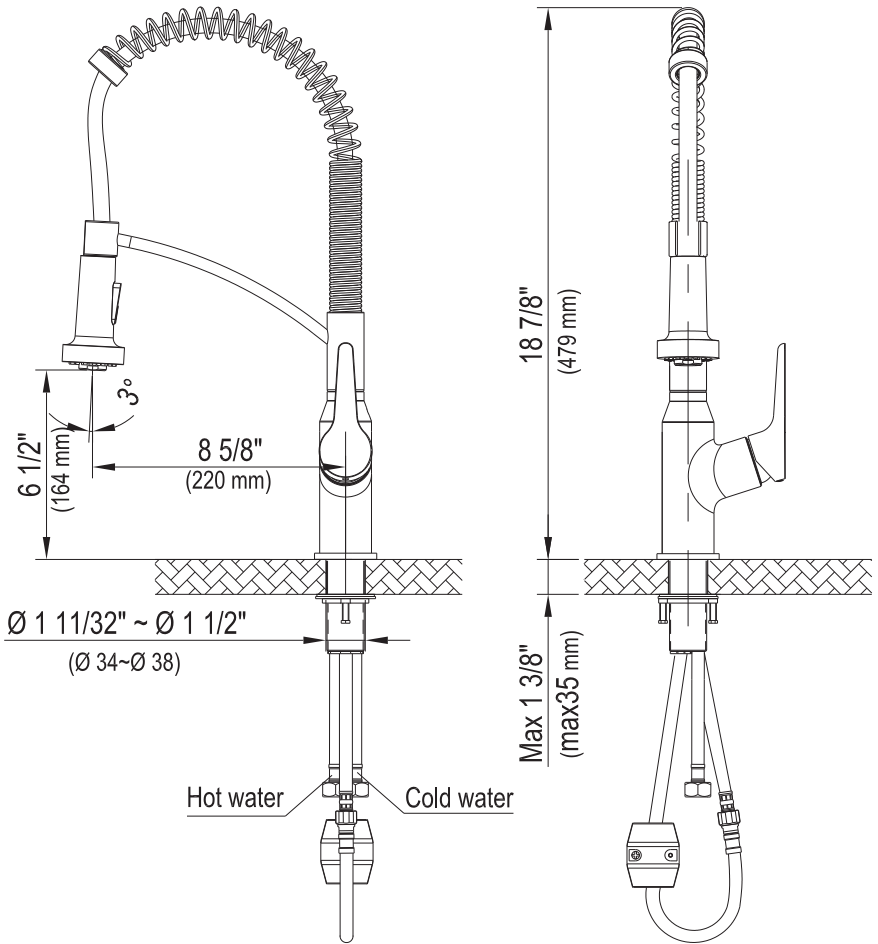


## **Scottsdale**

**Models:**   KKF210C                   KKF210SS  
              KKF210MB           KKF210GG  
              KKF210BG

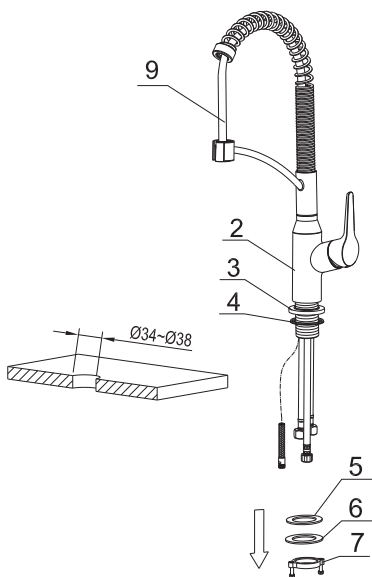


The Component List	Qty.
1. Spray Head	1
2. Main Body	1
3. Base	1
4. Rubber Washer A	1
5. Rubber Washer B	1
6. Metal Washer	1
7. Mounting Hardware	1
8. Spray Hose	2
9. Weight	1
10.Hex Wrench	1



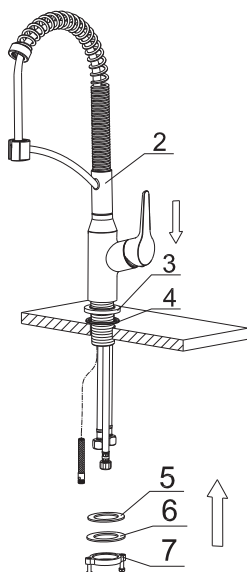
# INSTALLATION GUIDE

## STEP 1



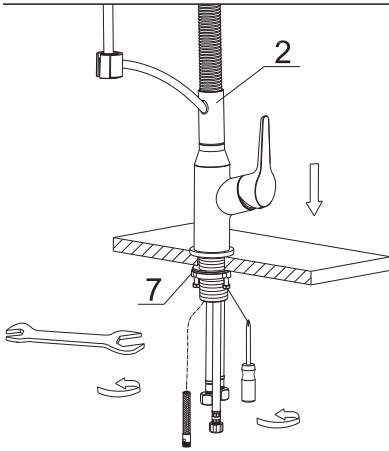
1. Remove the mounting hardware(7), metal washer(6) and rubber washer B(5) from the main body(2);

## STEP 2



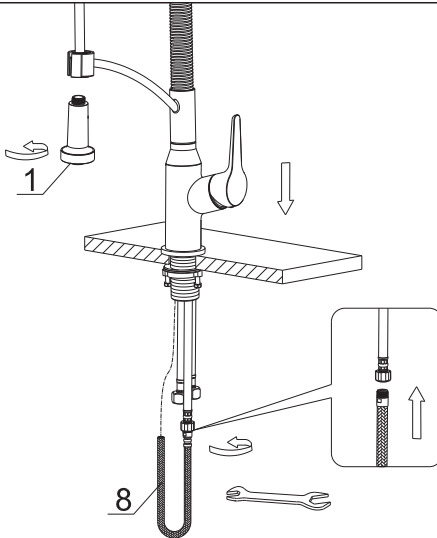
2. Insert the main body into hole with the base(3) and rubber washer A(4). Refix the rubber washer B(5), metal washer(6) and mounting hardware(7) from the bottom.

## STEP 3



3. After adjusting the direction of the main body(2), tighten the mounting hardware(7) with hands and tighten the screws with a Philips screwdriver.

## STEP 4



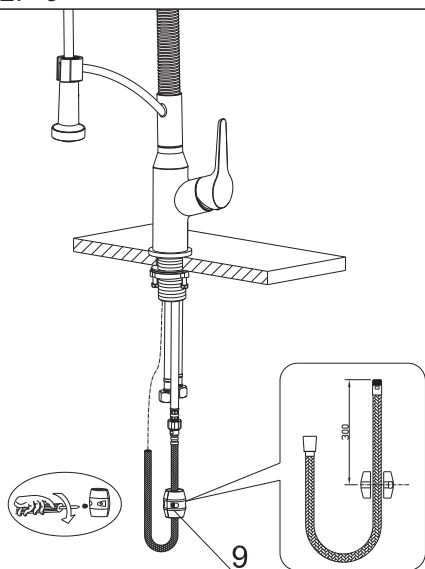
4. Connect the spray hose(8) and spray head(1) to finish installation.

# INSTALLATION GUIDE

---

## STEP 5

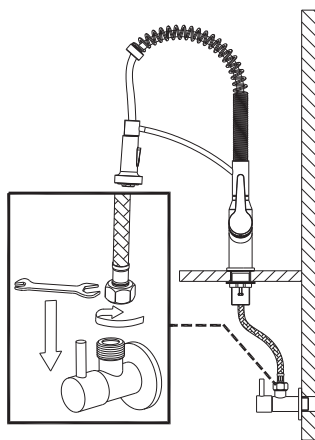
---



5. Attach the weight(9) on the spray hose(8).

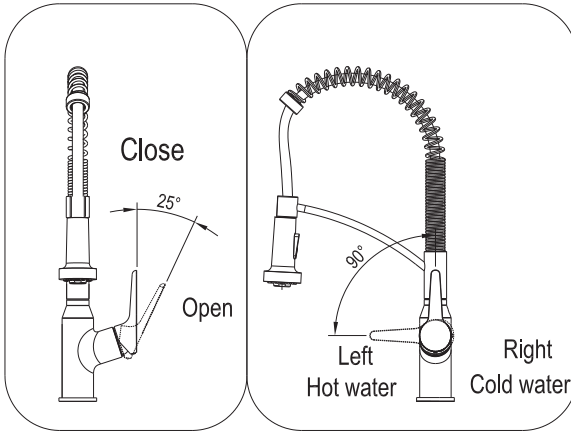
## STEP 6

---



6. Connect the waterlines to outlet tightly. Turn on the outlet and check for leaks.

## How to operate the handle:

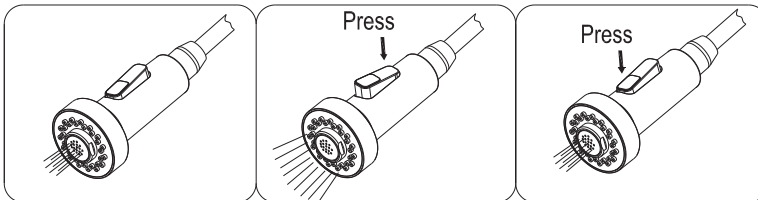


- 1) Open the handle lever to turn water on. Push to turn off.
- 2) Turn the handle lever to the left to increase hot water flow with higher water temperature, while lower the water temperature by operating reversely.

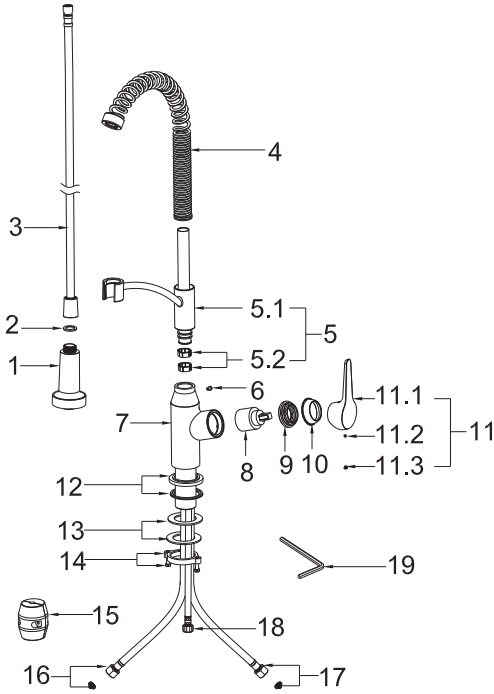
## Spray

The operation of the spray diverter:

- 1) When first turned on, water comes from aerator.
- 2) Press button back, water comes from nozzles.
- 3) Press button front, water comes from aerator.
- 4) Diverter button automatically returns to normal position once handle closed .



# REPLACEMENT PARTS



No.	Description	Finishes/Colors	Item No.
1	Spray	C, SS, MB, GG, BG	500301912**
2	Washer		70020038930
3	Spray Hose	C, SS, MB, GG, BG	500401612**
4	Spring Assembly	C, SS, MB, GG, BG	500600410**
5	Spray Support Assembly	C, SS, MB, GG, BG	400601991**
6	Set Screw		50060033800
7	Main Body	C, SS, MB, GG, BG	100300519**
8	35A Cartridge		20060010900
9	Nut		40060199252
10	Cap	C, SS, MB, GG, BG	500101091**
11	Handle	C, SS, MB, GG, BG	200100446**
12	Base	C, SS, MB, GG, BG	500101638**
13	Rubber & Metal Washer		70020037354
14	Mounting Nuts & Screws		40060185018
15	Weight		50020066700
16	Hot Waterline		50042068521
17	Cold Waterline		50042068526
18	Supply Hose		50040196200
19	Hex Wrench		50060003700

\*\* Denotes faucet component color options:

- C - Chrome
- SS - Spot Free Stainless Steel
- MB - Matte Black
- GG - Gun Gray
- BG - Brushed Gold