



System Components + Accessories

	RSP 2motion	RSP Xtra
Code number	5710	5711
STAND	Consists of column, foot, camera carrier a. base board	Consists of column, foot and camera carrier
Column	Multi-section aluminium, matt black anodised, printed cm and inch scales	
■ Height	216 cm / 85 in.	216 cm / 85 in.
■ Cross section	120x80mm/4.7x3.1 in.	120x80mm/4.7x3.1 in.
■ Height adjustment camera carrier		
Motorized	●	●
Cable remote control	●	●
Two travel speeds, steady and independent of load	●	●
Automatic end switch	●	●
Anti-collision device	●	●
■ Height-adjustable base plate		
Motorized	●	—
Cable remote control	●	—
Two travel speeds, steady and independent of load	●	—
Automatic end switch	●	—
Anti-collision device	●	—
Max. working span	160 cm / 63 in.	—
Camera Carrier	Aluminium die-cast	
■ Horizontally adjustable	●	●
■ Parallel guides	●	●
■ Right-/left-hand operation	●	●
■ Position lockable	●	●
■ Camera mounting plate tiltable	●	●
■ Camera mounting plate	13x13 cm / 5.1x5.1 in.	13x13 cm / 5.1x5.1 in.
■ Camera mount	3/8" / 1/4", changeable	3/8" / 1/4", changeable
■ Spirit level	●	●
Base Board	4 mm aluminium with stabilizing substructure	(To be used with copy table 5712, table 5630 or existing tables)
■ Dimensions	100x80cm/4.2x3.1 in.	—
Column foot	Double strutted steel tube	
■ Die-cast column socket	●	●
■ Height-adjustable feet	●	●
■ Required floor space (WxD)	100 x 126 cm / 39.4 x 49.6 in.	83 x 114 cm / 32.7 x 44.9 in.



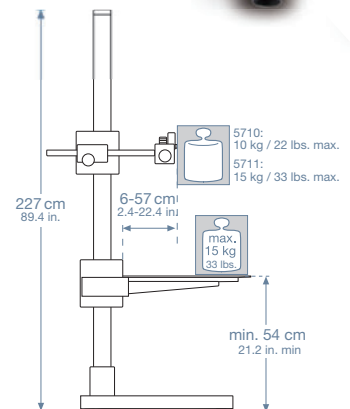
Made
in
Germany

RSP 2motion and RSP Xtra Columns

For wall fastening with wall mount 5614. Same as 5710 or 5711, but without column foot.

5708: RSP 2motion column, incl. camera carrier and base board

5709: RSP Xtra column, incl. camera carrier



Sheet Steel Plate

Fits on top of the RSP 2motion stand base board. For holding originals with magnetic holders (not included). Dimensions: 1290 x 1 x 890 mm (50.8 x 0.04 x 35 in.). Code no. 5715

Magnetic Subject Holders

2 x 294 mm (11.6 in.) and 2 x 375 mm (14.8 in.) long, e.g. for 5715. Code no. 5717

