



READ THIS OWNER'S MANUAL COMPLETELY. This marker is not a toy. Treat it with the same respect you would a firearm. Always carefully follow the safety instructions found in this owner's manual and keep this manual in a safe place for future use.

WARNING NOT A TOY. ADULT SUPERVISION REQUIRED. MISUSE MAY CAUSE SERIOUS INJURY, ESPECIALLY TO THE EYE. EYE AND FACE PROTECTION DESIGNED FOR PAINTBALL MUST BE WORN BY THE USER AND ANY PERSON WITHIN RANGE. READ THIS OWNER'S MANUAL BEFORE USING. MAY BE DANGEROUS UP TO 220 YARDS (200 METERS).

Buyer should be at least 18 years of age to purchase this marker. Read all instructions before using. The purchaser and user should conform to all laws governing the purchase, use and ownership of markers. Read the enclosed owner's manual carefully before loading or using the marker. Eye protection required.

EN

EN	Owner's manual	2 - 7
FR	Manuel du propriétaire	8 - 13
ES	Manual de operación del usuario	14 - 19



DESCRIPTION



OPERATION



CARE



SAFETY INSTRUCTIONS

WARNING This marker can cause serious injury or death. Read and follow the owner's manual carefully. Do not load a projectile into the marker until you are ready to shoot. If you do load a projectile and then decide not to shoot, remove it either manually or by shooting the marker at a safe target. An unloaded marker is safest. Accidents happen fast, please handle the marker safely.

Markers differ in their operation and you are never ready to fire any gun until you are thoroughly familiar with it. Read the following owner's manual thoroughly prior to operating.

These symbols and safety signal words, **NOTICE**, mark warnings, cautions, and notices in this owners manual. Carefully follow them for your own safety and the safety of others.



EYE PROTECTION
REQUIRED
WEAR YOUR
SHOOTING GLASSES

WARNING Failure to follow the instructions and recommendations in this owner's manual may result in bodily injury including face, eye, and ear injury, blindness, deafness or death.



SAFETY INSTRUCTIONS

1. REVIEWING SAFETY

- You and others with you MUST wear shooting glasses to protect your eyes. If you wear reading glasses the lenses must be certified for impact resistance or you should wear safety glasses intended for use over normal optical reading glasses.
- You and others with you should always wear eye and face protection designed for markers.
- Always aim in a SAFE DIRECTION. Always keep the muzzle of the marker pointed in a SAFE DIRECTION. A SAFE DIRECTION is defined as always pointing the marker and/or the muzzle of the marker in a direction, in which if it were to discharge, it would not cause any injury or damage. Controlling where the muzzle or front of the barrel is pointed at all times, is very important.
- Always keep your finger off the trigger and out of the trigger guard until ready to shoot.
- Never point the marker at anything you do not intend to shoot.
- Always treat the marker as though it is loaded and with the same respect you would a firearm.
- Never look down the barrel of an marker.
- Always check to see if the marker is unloaded when getting it from another person or from storage.
- Use .68 caliber (17.27 mm) paintballs, powderballs, or rubberballs.
- Never reuse ammunition.
- Do not shoot at hard surfaces or at the surface of water. The projectile may bounce off or ricochet and hit someone or something you had not intended to hit.
- Do not shoot at fragile objects such as windows.
- Place the backstop in a location that will be safe should the backstop fail.
- Your backstop should be checked for wear before and after each use. All backstops are subject to wear and will eventually fail. Replace your backstop if the surface is worn or damaged or if a ricochet occurs.
- Do not attempt to disassemble or tamper with your marker. Unauthorized repairs or modifying the function of your marker in any way may be unsafe and will void your warranty.
- Before you store your marker, make sure it is unloaded and the power source is removed.
- Always store your marker in a secure location away from unauthorized users and separate from ammunition.



2. LEARNING THE PARTS OF YOUR MARKER



⚠ WARNING Do not brandish or display this marker in public – it may confuse people and may be a crime. Police and others may think it is a firearm. This could cause aggressive action that could lead to your death. Do not change the coloration and markings to make it look more like a firearm.

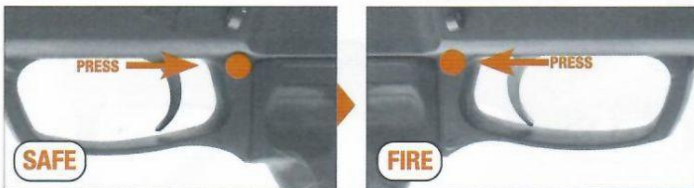
⚠ WARNING Be sure the marker is always pointed in a safe direction. Never point the marker at any pet or person even if it is unloaded. Always assume and handle the marker as if it were loaded and ready to fire.



OPERATION

3. OPERATING THE SAFETY

⚠ WARNING Like all mechanical devices, a marker safety can fail. Even when the safety is "ON SAFE", you should continue to handle the marker safely. Never point the marker at anything you do not intend to shoot.



⚠ CAUTION

Never load the magazine until you have verified the marker will discharge CO₂ properly (see Section 4. Installing and Removing CO₂ Capsules).

⚠ WARNING Use only 12g CO₂ capsules. Any attempt to use other types of gas capsules could be extremely dangerous and could result in serious injury or death. Gases other than CO₂ could result in an explosion or rupture of the marker.

⚠ CAUTION

Keep hands and face away from escaping CO₂ gas. It can cause frostbite if allowed to come in contact with skin. Always make sure the CO₂ capsule is empty before attempting to remove it from the marker by slowly turning the gas capsule puncture screw counter-clockwise all the way until you no longer hear the escape of CO₂ gas.



OPERATION

4. INSTALLING AND REMOVING CO₂ CAPSULES



If the marker does not make a popping noise after pulling the trigger, the CO₂ is not being discharged. Check that piercing screw is tight and make sure to strike the CO₂ piercing button to pierce the capsule.

NOTE: A slight seepage of CO₂ may occur when piercing button has been struck.

NOTICE Never try to force any CO₂ capsules into or out of place. Do not store your marker with a pierced CO₂ capsules in it. If you have previously pierced the CO₂ capsules and know you will not be using your marker for an extended period of time, slowly unscrew the piercing screw – which will empty the CO₂ capsule – and remove it from the marker. This is very important to remember, as it will prolong the longevity of your marker seals.



5. USE AND HANDLING OF CO₂ CAPSULES

WARNING CO₂ capsules may explode at temperatures above 122° F. Do not mutilate or incinerate them. Do not expose them to heat or store CO₂ capsules at temperatures above 122° F.

CAUTION

Never attempt to reuse a CO₂ capsule for any purpose.

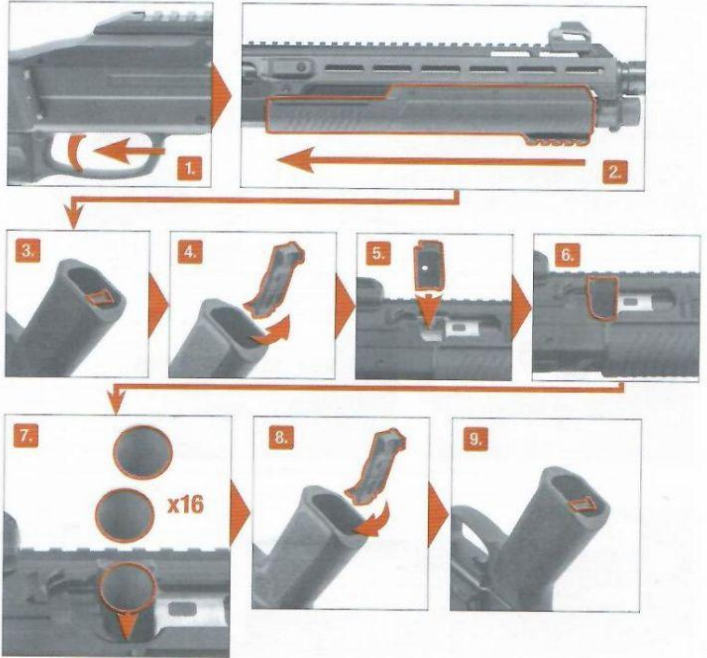
It is possible that certain conditions may affect a CO₂ capsule, which can impact its proper performance. These conditions include the usage, maintenance and storage at temperatures that are higher or lower than normal outdoors temperatures (60°-80° F/16°-27° C). Another condition may be when the gun is fired rapidly.

- High temperatures can increase pressure in the CO₂ capsule and also within the gun, leading to higher than standard operating pressure. This excess pressure could cause the gun to malfunction or be permanently damaged. Maximum storage or operation temperature should never exceed 122° F (50° C). This temperature can be reached if you leave the gun under direct sunlight on a bright day. Thus, to ensure proper gun operation, do not expose it to high temperatures or direct sunlight for long periods of time. Otherwise, the CO₂ capsule could overheat and explode, which could damage the airgun and cause injuries or death to people around it.
- Fast consecutive shooting may produce a decrease of temperature in the gun, as well as the CO₂ capsule. This could result in lower projectile velocities and may even lower gas pressure enough so that the pistol will not fire. This condition can be especially apparent when shooting in cold weather and can be avoided by allowing more time between shots. This permits the gas to increase in temperature and pressure and produce normal velocities.
- During rapid fire, the muzzle velocity of each shot will diminish. This can affect shooting accuracy and you will get fewer shots per CO₂ capsule.
- Care should be exercised to ensure that the gun is not shot with a CO₂ capsule that is low in pressure. Here are some indicators of insufficient pressure:
 - The sound of the shot is not as loud as when the capsule is full.
 - The projectile hits the target, but in a lower position than it would with a full CO₂ capsule (that is, the shooting speed has dropped).



6. LOADING AND UNLOADING PROJECTILES

Loading Projectiles:



CAUTION

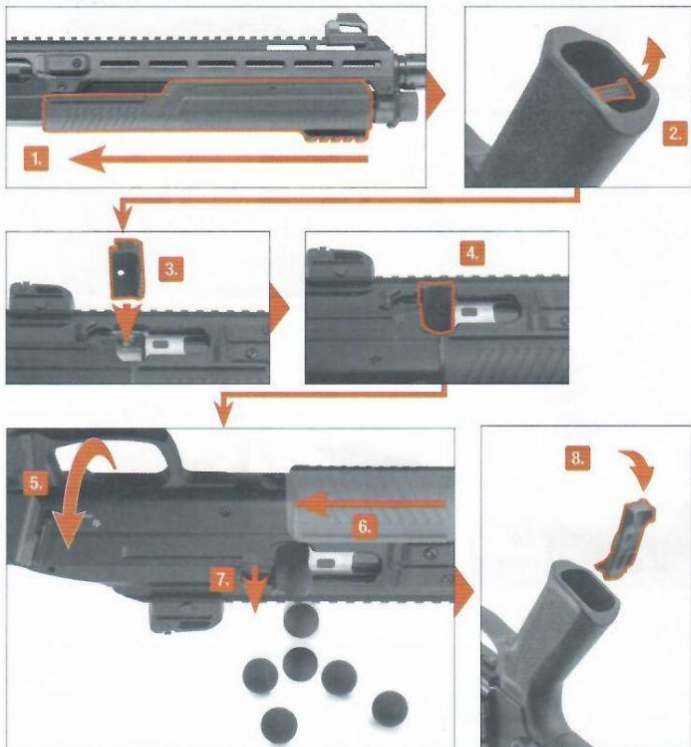
Use only flawless .68 caliber (17.27 mm) paintballs, powderballs, or rubberballs. Do not attempt to reuse projectiles that have been fired or are deformed. Projectiles other than .68 caliber paintballs, powderballs, or rubberballs can cause injury to you or someone else or may damage and/or jam the marker. Use of anything other than .68 caliber paintballs, powderballs, or rubberballs will void the warranty.



CAUTION

Never assume that because the marker no longer fires a projectile and/or the magazine is removed from the grip frame that a projectile is not lodged in the barrel. Always treat the marker as though it is loaded and with the same respect you would a firearm.

Unloading Projectiles:



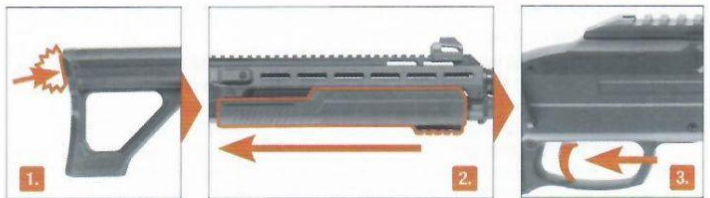
7. AIMING AND FIRING SAFELY

CAUTION

You and others with you should always wear shooting glasses to protect your eyes. Always make sure that the muzzle points in a safe direction.

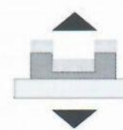
CAUTION

Your backstop should be inspected for wear before and after each use. Discontinue use if the backstop surface shows signs of failure. Always place the backstop in a location that will be safe should the backstop fail. Discontinue the use of a backstop if the projectile rebounds or ricochets.



8. ADJUSTING THE SIGHTS

Elevation adjustment



Shots are too high → turn to the right

Shots are too low → turn to the left

Windage adjustment



Shots are left of center → turn to the right

Shots are right of center → turn to the left

9. MAINTAINING YOUR MARKER

⚠ WARNING A marker that is not operating properly may be dangerous. It should be kept safely from use by anyone until repaired or destroyed. Do not try to take the marker apart. It is difficult to reassemble and improper disassembly or reassembly can cause serious injury or death.

⚠ CAUTION

Before any care, cleaning or maintenance, always be sure your marker is unloaded. Keep pointed in a safe direction. It is important to perform routine inspections and maintain your marker properly.

NOTICE Oils that contain acid or resin can damage seals and possibly the finish of the airgun.

With care and routine inspections your marker will provide many sessions of shooting enjoyment. Abuse, neglect and continued exposure to the elements will impair the performance of any marker. To ensure continued proper function, apply 1 to 2 drops of RWS Spring Cylinder oil (100% silicone oil) onto all moving parts such as the gas capsule piercing knob and the trigger hinge (1000 shots).

10. TROUBLE SHOOTING	Poor firing performance	Airgun does not function	Low velocity
CO ₂ capsule is empty	●	●	●
CO ₂ capsule is defective		●	
Extreme temperature	●		●
Incorrect projectiles	●	●	●

⚠ CAUTION

The components of this marker were engineered and manufactured to deliver optimum performance. Any modification or tampering with an marker may cause a malfunction, void your warranty and may make it unsafe to use. Any change in performance (such as a lowered trigger pull force and shortened trigger travel) indicates possible modification, tampering and/or wear. Such marker should be inspected, replaced, or properly repaired by only qualified Umarex USA personnel. Any marker that has been dropped should be checked by qualified personnel to ensure that its function has not been affected.

11. REPAIR / SERVICE / WARRANTY

Do not return defective or damaged product to the dealer. If your airgun needs repair, call Umarex USA (479) 646-4210 and ask for the Service Department or visit umarexusa.com. DO NOT ATTEMPT TO DISASSEMBLE IT! Your airgun requires special tools and fixtures to repair it. Any disassembly or modification not performed by Umarex USA will void the warranty.

1 YEAR LIMITED WARRANTY

This product is warranted to the retail consumer for 1 year from date of purchase against defects in material and workmanship and is not transferable.

WHAT IS COVERED: Replacement parts and labor.

WHAT IS NOT COVERED: Shipping charges to Umarex USA for defective product and damages caused by abuse or failure to perform normal maintenance as well as any other expense. Consequential damages, or incidental expenses, including damage to property. Some states do not allow the exclusion or limitation of incidental or consequential damages, so the above limitation or exclusion may not apply to you.

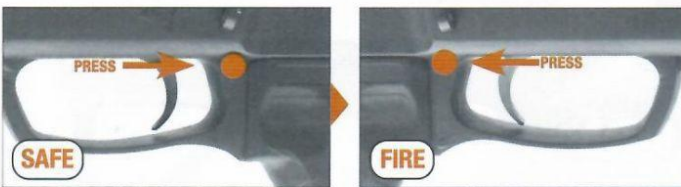
WARRANTY CLAIMS: Warranty Claims and Repair for U.S. and Canadian customers only. Call Umarex USA (479) 646-4210 and ask for the Service Department. If it is determined a return is necessary, you will be issued a Return Authorization Number. Write this number boldly on the box and return the product prepaid to Umarex USA (Canadian customers will be provided with the address of an authorized Canadian Repair Facility). Your name, address, phone number and a note explaining the defect found must be included in the package. **A copy of the original dated cash register receipt must accompany the return.** U.S. customers, include a check made to Umarex USA in the amount provided by Umarex USA's service department to cover shipping and handling.

IMPLIED WARRANTIES: Any implied warranties, including the implied warranties of merchantability and fitness for a particular purpose, are limited in duration to 1 year from date of retail purchase. SOME STATES DO NOT ALLOW LIMITATIONS ON HOW LONG IMPLIED WARRANTY LASTS, SO THE ABOVE LIMITATIONS MAY NOT APPLY TO YOU. TO THE EXTENT ANY PROVISION OF THIS WARRANTY IS PROHIBITED BY FEDERAL, STATE, OR MUNICIPAL LAW; WHICH CANNOT BE PREEMPTED, IT SHALL NOT BE APPLICABLE. THIS WARRANTY GIVES YOU SPECIFIC LEGAL RIGHTS, AND YOU MAY ALSO HAVE OTHER RIGHTS, WHICH VARY FROM STATE TO STATE AND COUNTRY TO COUNTRY.

TO VALIDATE THIS WARRANTY-- Register online at UmarexUSA.com/Registration.

3. OPERATING THE SAFETY

⚠ WARNING Like all mechanical devices, a marker safety can fail. Even when the safety is "ON SAFE", you should continue to handle the marker safely. Never point the marker at anything you do not intend to shoot.



⚠ CAUTION

Never load the magazine until you have verified the marker will discharge CO₂ properly (see Section 4. Installing and Removing CO₂ Capsules).

⚠ WARNING Use only 12g CO₂ capsules. Any attempt to use other types of gas capsules could be extremely dangerous and could result in serious injury or death. Gases other than CO₂ could result in an explosion or rupture of the marker.

⚠ CAUTION

Keep hands and face away from escaping CO₂ gas. It can cause frostbite if allowed to come in contact with skin. Always make sure the CO₂ capsule is empty before attempting to remove it from the marker by slowly turning the gas capsule puncture screw counter-clockwise all the way until you no longer hear the escape of CO₂ gas.

4. INSTALLING AND REMOVING CO₂ CAPSULES



If the marker does not make a popping noise after pulling the trigger, the CO₂ is not being discharged. Check that piercing screw is tight and make sure to strike the CO₂ piercing button to pierce the capsule.

NOTE: A slight seepage of CO₂ may occur when piercing button has been struck.

NOTICE Never try to force any CO₂ capsules into or out of place. Do not store your marker with a pierced CO₂ capsules in it. If you have previously pierced the CO₂ capsules and know you will not be using your marker for an extended period of time, slowly unscrew the piercing screw – which will empty the CO₂ capsule – and remove it from the marker. This is very important to remember, as it will prolong the longevity of your marker seals.

REGISTER YOUR PRODUCT. GET NEWS & OFFERS.

UmarexUSA.com/registration
UMAREXUSA®

EN Umarex USA Registration

As the purchaser of a new airgun or airsoft gun distributed by Umarex USA, you are entitled to the benefits of a limited warranty upon the registration of your product at UmarexUSA.com within 30 days of purchase. For warranty or repair details or questions associated with your gun, see the Warranty/Repair section in the manual that accompanied your product at the time of purchase. Keep your original sales receipt. It must accompany the gun if it is returned for any reason.

If you have questions or concerns regarding the Umarex USA product you have purchased, please contact our Customer Service Department at 479-646-4210 or visit UmarexUSA.com.

Register on the Internet at
UmarexUSA.com/registration

FR Enregistrement des Umarex USA

Comme acheteur d'une nouvelle arme à air ou arme airsoft distribuée par Umarex USA, vous avez droit à une garantie limitée lorsque vous enregistrez votre produit au UmarexUSA.com l'intérieur de 30 jours suivant l'achat. Pour plus de détails concernant la garantie et les réparations ou si vous avez des questions au sujet de votre arme, consultez la section Garantie/réparation du manuel qui accompagnait votre produit lors de l'achat. Conservez votre reçu de caisse original. Il doit accompagner l'arme si celle-ci nous est retournée pour quelque raison que ce soit.

Si vous avez des questions ou des préoccupations concernant le produit Umarex USA que vous avez acheté, communiquez avec notre service à la clientèle au 479-646-4210 ou visitez le UmarexUSA.com.

Enregistrez votre arme sur Internet au
UmarexUSA.com/registration

ES Registración del Umarex USA

Como el comprador de una nueva arma de air o arma de airsoft distribuida por Umarex USA, usted tiene derecho a los beneficios de una garantía limitada cuando registre su producto en UmarexUSA.com dentro de 30 días después de la compra. Para detalles de garantía o de reparación o preguntas relacionadas con su arma de air, vea la sección de Garantía/Reparación en el manual que acompaña a su producto al momento de la compra. Guarde su recibo original de venta. Debe de acompañar al arma de air si se devuelve por alguna razón.

Si tiene preguntas o inquietudes sobre el producto Umarex USA que ha comprado, por favor contacte a nuestro Departamento de Servicio al Cliente al 1-479-646-4210 o visite UmarexUSA.com.

Registrar en la internet en
UmarexUSA.com/registration

This OWNER'S MANUAL should always accompany the airgun and be transferred with it upon change of ownership or when presented to another person.

Ce MANUEL DE PROPRIÉTAIRE devrait toujours accompagner l'arme à air et être donné avec celle-ci lorsqu'il y a changement de propriétaire ou lors de l'utilisation par une autre personne.

Este MANUAL DE OPERACIONES DEL USUARIO siempre debe acompañar a la pistola de aire y transferirlo con ella si se cambia el dueño o cuando se le presenta a otra persona.

UX UMAREX
AIRGUNS

Distributed by / Distribué par / Distribuido por:

UMAREX USA, INC.

7700 Chad Colley Boulevard

Fort Smith, AR 72916

UmarexUSA.com

T4Eguns.com

© 2021

10/21

We reserve the right to make color and design changes and technical improvements. No responsibility is accepted for printing errors or incorrect information.

Sauf modifications de la couleur et du design ainsi que des améliorations techniques, erreurs d'impression et erreurs. Toutes les données sont fournies sans garantie.

Nos reservamos el derecho para realizar cambios al color y diseño y mejoras técnicas. No se acepta responsabilidad por errores de impresión o información incorrecta.

© UMAREX USA

