



**Submittal Data Sheet**

1.5-Ton Wall Mounted Cooling Only  
FAQ18TAVJURZR18TAVJU

**INDOOR UNIT**



**OUTDOOR UNIT**





## Submittal Data Sheet

1.5-Ton Wall Mounted Cooling Only  
FAQ18TAVJURZR18TAVJU

### SYSTEM PERFORMANCE

Indoor Unit Model No.	FAQ18TAVJU	Indoor Unit Name:	Sky-Air Wall Mounted
Outdoor Unit Model No.	RZR18TAVJU	Outdoor Unit Name:	Sky-Air Cooling Only ODU
Rated Cooling Capacity (Btu/hr):	18,000	Rated Cooling Conditions:	Indoor (°F DB/WB): 80 / 67 Ambient (°F DB/WB): 95 / 75
Sensible Capacity (Btu/hr):	13,700	Rated Piping Length(ft):	25
Max/Min Cooling Capacity (Btu/hr):	/	Rated Height Difference (ft):	0.00
Cooling Input Power (kW):			
SEER (Non-Ducted/Ducted):	17.00 /		
EER (Non-Ducted/Ducted):	11.90 /		

### SYSTEM DETAILS

Refrigerant Type:	R-410A	Cooling Operation Range (°F DB):	23 - 122
Holding Refrigerant Charge (lbs):	6.4	Heating Operation Range (°F WB):	-
Additional Charge (lb/ft):	0.04	Max. Pipe Length (Vertical) (ft):	98
Pre-charge Piping (Length) (ft):	15	Cooling Range w/Baffle (°F DB):	-
Max. Pipe Length (Total) (ft):	164	Heating Range w/Baffle (°F WB):	-
Max Height Separation (Ind to Ind ft):	0		



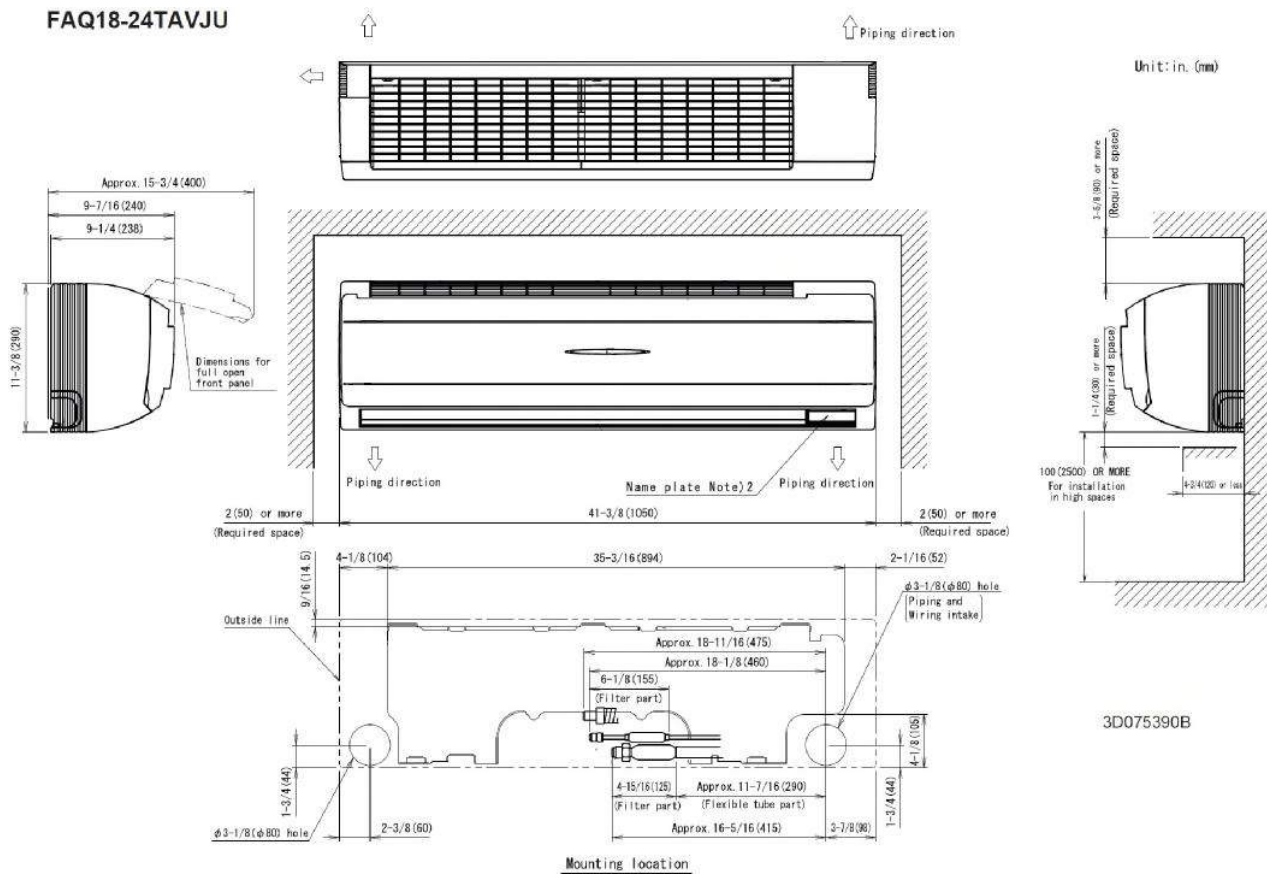
## Submittal Data Sheet

1.5-Ton Wall Mounted Cooling Only  
FAQ18TAVJURZR18TAVJU

### INDOOR UNIT DETAILS

Power Supply (V/Hz/Ph):	208-230 / 60 / 1	Airflow Rate (H/L) (CFM):	500/400
Power Supply Connections:	L1, L2, Ground	Moisture Removal (Gal/hr):	
Min. Circuit Amps MCA (A):	0.5	Gas Pipe Connection (inch):	5/8
Max Overcurrent Protection (MOP) (A):	15	Liquid Pipe Connection (inch):	3/8
Dimensions (HxWxD) (in):	11-3/8 x 41-3/8 x 9-1/4	Condensate Connection (inch):	1/2
Net Weight (lb):	31	Sound Pressure (H/L) (dBA):	43/37
Ext. Static Pressure (Rated/Max) (inWg):	/	Sound Power Level (dBA):	

## DIMENSIONAL DRAWING - INDOOR UNIT



Daikin North America LLC, 5151 San Felipe, Suite 500, Houston, TX, 77056

Daikin City Generated Submittal Data

[www.daikinac.com](http://www.daikinac.com) [www.daikincomfort.com](http://www.daikincomfort.com)

(Daikin's products are subject to continuous improvements. Daikin reserves the right to modify product design, specifications and information in this data sheet without notice and without incurring any obligations)

Submittal Date: 2/11/2019 2:01:55 PM

Page 3 of 4



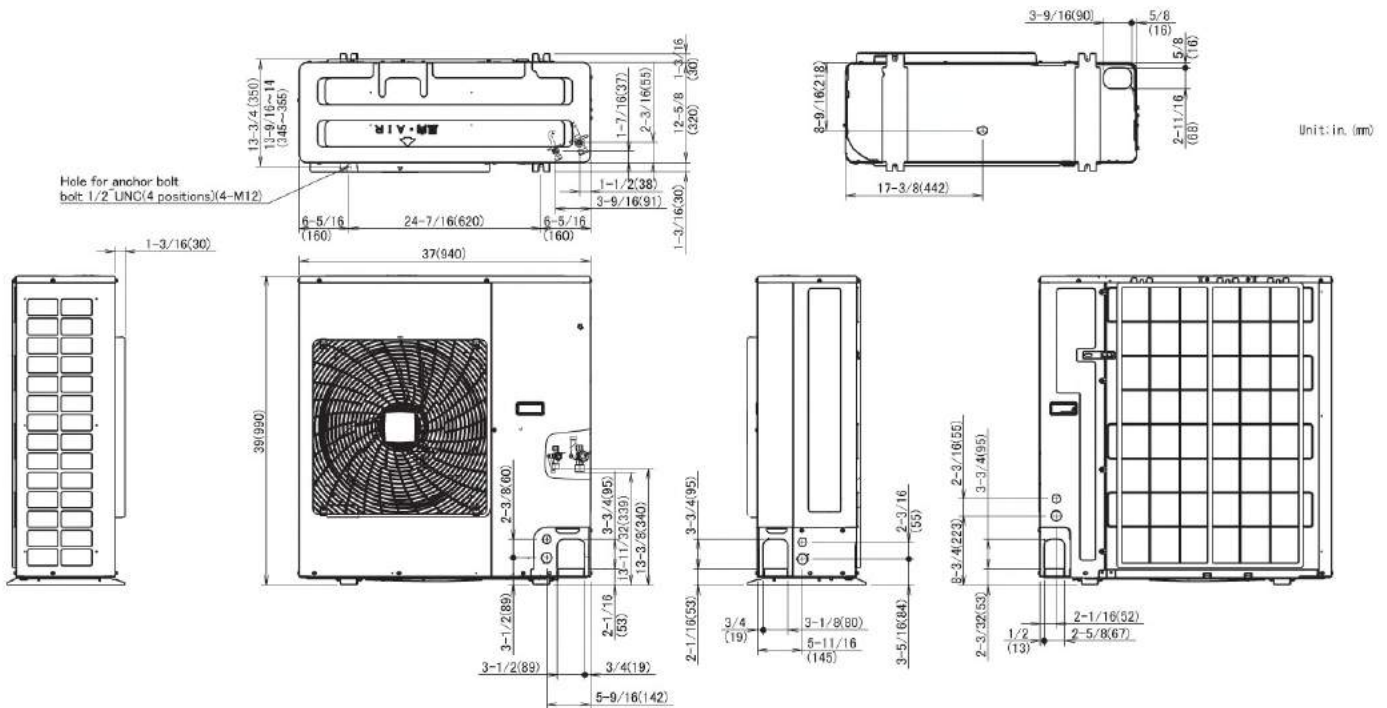
## Submittal Data Sheet

1.5-Ton Wall Mounted Cooling Only  
FAQ18TAVJURZR18TAVJU

### OUTDOOR UNIT DETAILS

Power Supply (V/Hz/Ph):	208-230 / 60 / 1	Compressor Stage:	
Power Supply Connections:	L1, L2, Ground	Capacity Control Range (%):	14 - 100
Min. Circuit Amps MCA (A):	16.5	Airflow Rate (H) (CFM):	2682
Max Overcurrent Protection (MOP) (A):	25	Gas Pipe Connection (inch):	5/8
Max Starting Current MSC(A):		Liquid Pipe Connection (inch):	3/8
Rated Load Amps RLA(A):	15.3	Sound Pressure (H) (dBA):	58
Dimensions (HxWxD) (in):	39 x 37 x 12-5/8	Sound Power Level (dBA):	
Net Weight (lb):	172		

### DIMENSIONAL DRAWING - OUTDOOR UNIT





**Submittal Data Sheet**

2.0-Ton Wall Mounted Cooling Only  
FAQ24TAVJURZR24TAVJU

**INDOOR UNIT**



**OUTDOOR UNIT**





## Submittal Data Sheet

2.0-Ton Wall Mounted Cooling Only  
FAQ24TAVJURZR24TAVJU

### SYSTEM PERFORMANCE

Indoor Unit Model No.	FAQ24TAVJU	Indoor Unit Name:	Sky-Air Wall Mounted
Outdoor Unit Model No.	RZR24TAVJU	Outdoor Unit Name:	Sky-Air Cooling Only ODU
Rated Cooling Capacity (Btu/hr):	24,000	Rated Cooling Conditions:	Indoor (°F DB/WB): 80 / 67 Ambient (°F DB/WB): 95 / 75
Sensible Capacity (Btu/hr):	18,000	Rated Piping Length(ft):	25
Max/Min Cooling Capacity (Btu/hr):	/	Rated Height Difference (ft):	0.00
Cooling Input Power (kW):			
SEER (Non-Ducted/Ducted):	17.60 /		
EER (Non-Ducted/Ducted):	10.20 /		

### SYSTEM DETAILS

Refrigerant Type:	R-410A	Cooling Operation Range (°F DB):	23 - 122
Holding Refrigerant Charge (lbs):	6.4	Heating Operation Range (°F WB):	-
Additional Charge (lb/ft):	0.04	Max. Pipe Length (Vertical) (ft):	98
Pre-charge Piping (Length) (ft):	15	Cooling Range w/Baffle (°F DB):	-
Max. Pipe Length (Total) (ft):	164	Heating Range w/Baffle (°F WB):	-
Max Height Separation (Ind to Ind ft):	0		



## Submittal Data Sheet

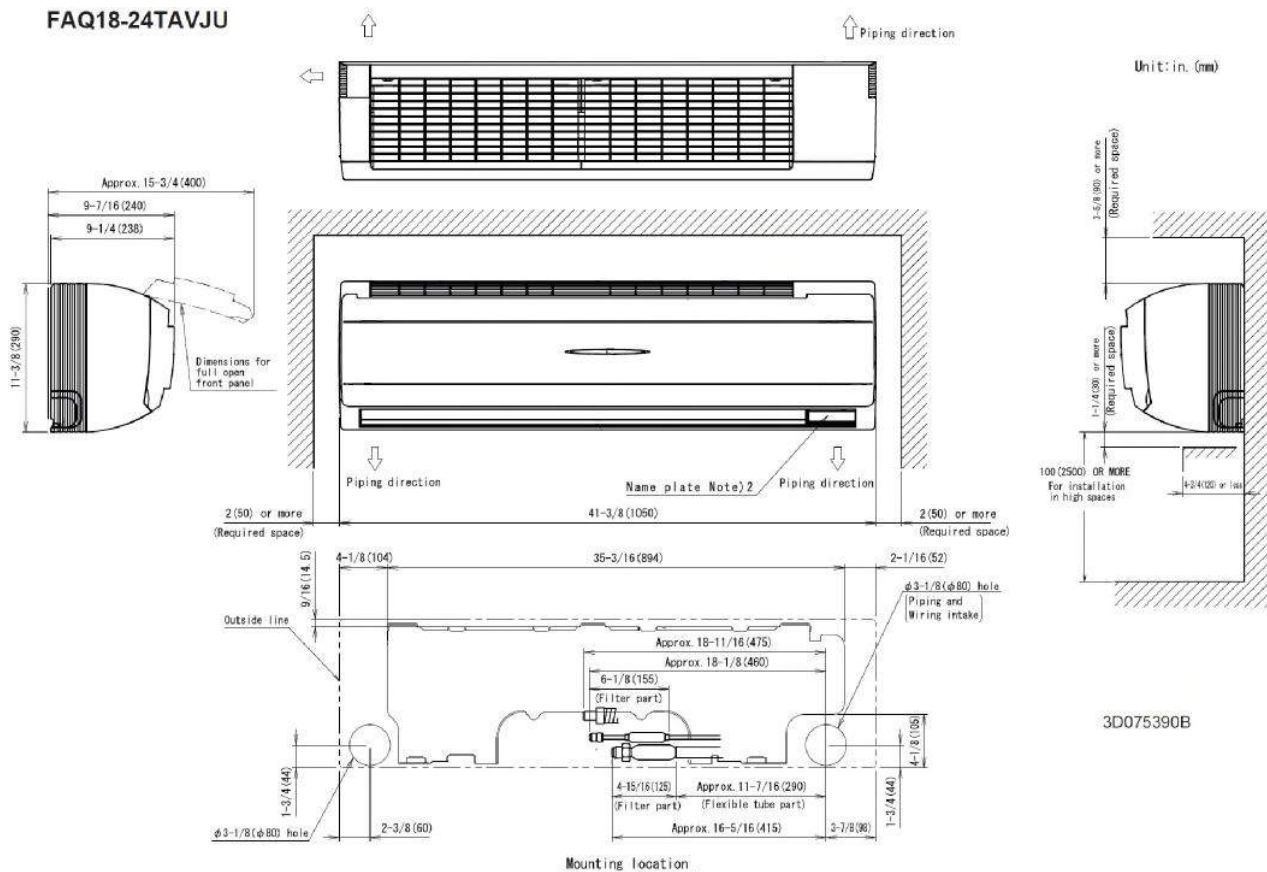
2.0-Ton Wall Mounted Cooling Only

FAQ24TAVJURZR24TAVJU

### INDOOR UNIT DETAILS

Power Supply (V/Hz/Ph):	208-230 / 60 / 1	Airflow Rate (H/L) (CFM):	635/470
Power Supply Connections:	L1, L2, Ground	Moisture Removal (Gal/hr):	
Min. Circuit Amps MCA (A):	0.6	Gas Pipe Connection (inch):	5/8
Max Overcurrent Protection (MOP) (A):	15	Liquid Pipe Connection (inch):	3/8
Dimensions (HxWxD) (in):	11-3/8 x 41-3/8 x 9-1/4	Condensate Connection (inch):	1/2
Net Weight (lb):	31	Sound Pressure (H/L) (dBA):	43/37
Ext. Static Pressure (Rated/Max) (inWg):	/	Sound Power Level (dBA):	

## DIMENSIONAL DRAWING - INDOOR UNIT



Daikin North America LLC, 5151 San Felipe, Suite 500, Houston, TX, 77056

Daikin City Generated Submittal Data

[www.daikinac.com](http://www.daikinac.com) [www.daikincomfort.com](http://www.daikincomfort.com)

(Daikin's products are subject to continuous improvements. Daikin reserves the right to modify product design, specifications and information in this data sheet without notice and without incurring any obligations)

Submittal Date: 2/11/2019 1:57:22 PM

Page 3 of 4



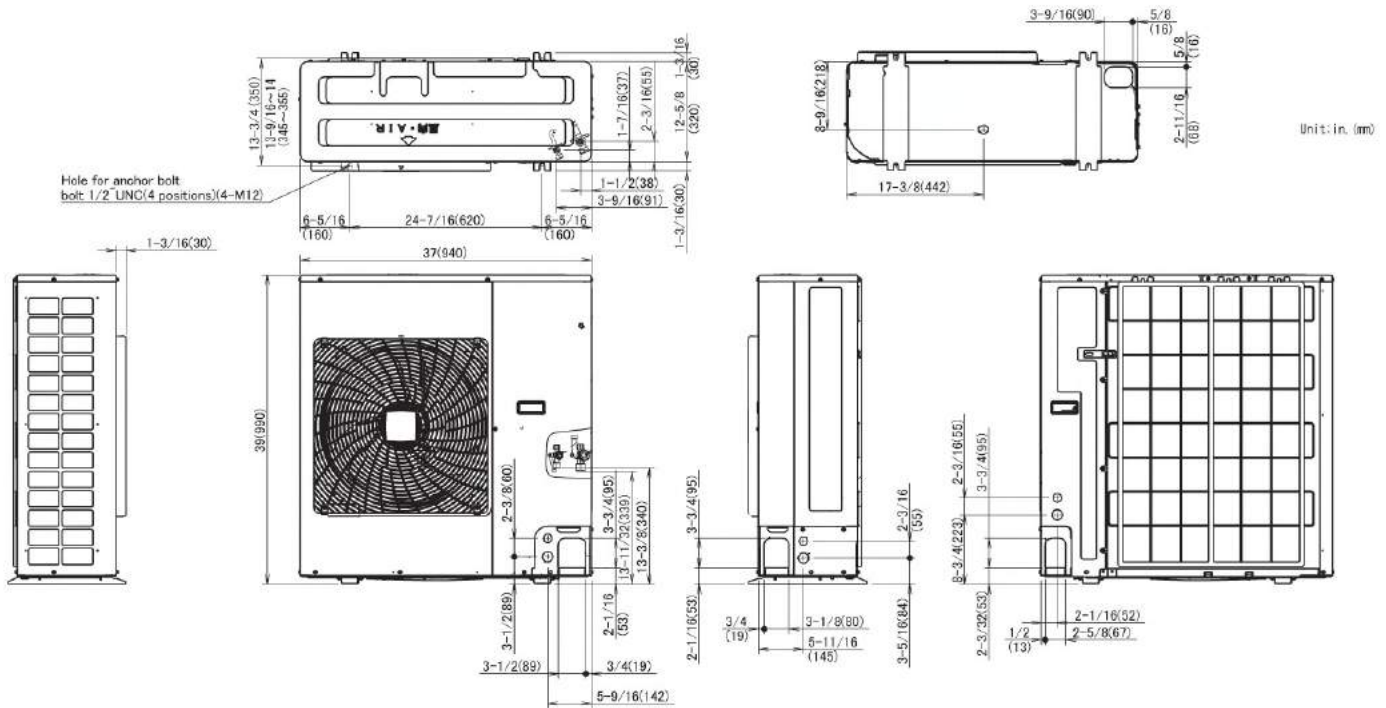
## Submittal Data Sheet

2.0-Ton Wall Mounted Cooling Only  
FAQ24TAVJURZR24TAVJU

### OUTDOOR UNIT DETAILS

Power Supply (V/Hz/Ph):	208-230 / 60 / 1	Compressor Stage:	
Power Supply Connections:	L1, L2, Ground	Capacity Control Range (%):	14 - 100
Min. Circuit Amps MCA (A):	16.5	Airflow Rate (H) (CFM):	2682
Max Overcurrent Protection (MOP) (A):	25	Gas Pipe Connection (inch):	5/8
Max Starting Current MSC(A):		Liquid Pipe Connection (inch):	3/8
Rated Load Amps RLA(A):	15.3	Sound Pressure (H) (dBA):	58
Dimensions (HxWxD) (in):	39 x 37 x 12-5/8	Sound Power Level (dBA):	
Net Weight (lb):	172		

### DIMENSIONAL DRAWING - OUTDOOR UNIT



Daikin North America LLC, 5151 San Felipe, Suite 500, Houston, TX, 77056

Daikin City Generated Submittal Data

[www.daikinac.com](http://www.daikinac.com) [www.daikincomfort.com](http://www.daikincomfort.com)

(Daikin's products are subject to continuous improvements. Daikin reserves the right to modify product design, specifications and information in this data sheet without notice and without incurring any obligations)

Submittal Date: 2/11/2019 1:57:22 PM

Page 4 of 4





## Submittal Data Sheet

1.5-Ton DC Ducted Cooling Only  
FBQ18PVJURZR18TAVJU

### FEATURES

- External static pressure (ESP) capabilities up to 0.8" W.G.
- Three user selected fan speeds available plus fan "Auto" logic
- Low ambient cooling operation down to 0°F (with optional wind baffle(s))
- Built-in condensate pump
- Maximum piping length up to 164 ft. allows flexible placement of indoor unit
- Maximum piping height separation up to 98 ft.
- 10 year limited parts and compressor warranty

### BENEFITS

- DC fan motor provides improved efficiency
- Bottom access for easy service

### INDOOR UNIT



### OUTDOOR UNIT





## Submittal Data Sheet

1.5-Ton DC Ducted Cooling Only  
FBQ18PVJURZR18TAVJU

### SYSTEM PERFORMANCE

Indoor Unit Model No.	FBQ18PVJU	Indoor Unit Name:	Sky-Air DC Ducted
Outdoor Unit Model No.	RZR18TAVJU	Outdoor Unit Name:	Sky-Air 1.5 Ton Cooling Only ODU
Rated Cooling Capacity (Btu/hr):	18,000	Rated Cooling Conditions:	Indoor (°F DB/WB): 80 / 67 Ambient (°F DB/WB): 95 / 75
Sensible Capacity (Btu/hr):	14,800	Rated Piping Length(ft):	25
Max/Min Cooling Capacity (Btu/hr):	/	Rated Height Difference (ft):	0.00
Cooling Input Power (kW):	2.120	Rated Heating Conditions:	Indoor (°F DB/WB): 70 / 60 Ambient (°F DB/WB): 47 / 43
SEER (Non-Ducted/Ducted):	/ 16.70		
EER (Non-Ducted/Ducted):	/ 13.00		

### SYSTEM DETAILS

Refrigerant Type:	R-410A	Cooling Operation Range (°F DB):	23 - 122
Holding Refrigerant Charge (lbs):	6.4	Heating Operation Range (°F WB):	-
Additional Charge (lb/ft):	0.04	Max. Pipe Length (Vertical) (ft):	98
Pre-charge Piping (Length) (ft):	15	Cooling Range w/Baffle (°F DB):	0 - 122
Max. Pipe Length (Total) (ft):	164	Heating Range w/Baffle (°F WB):	-
Max Height Separation (Ind to Ind ft):	0		

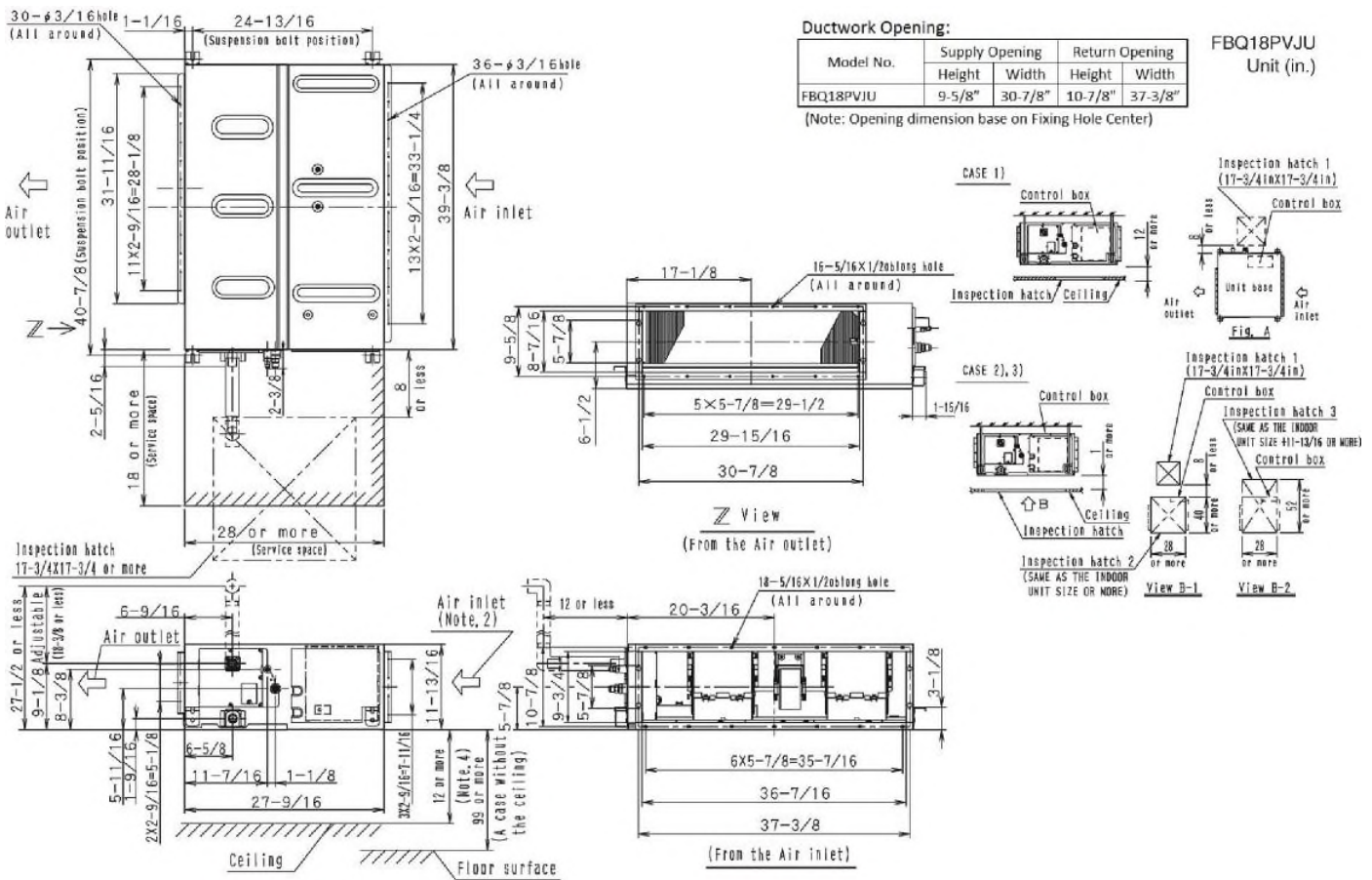


# Submittal Data Sheet

1.5-Ton DC Ducted Cooling Only  
 FBQ18PVJURZR18TAVJU

## INDOOR UNIT DETAILS

Power Supply (V/Hz/Ph):	208-230 / 60 / 1	Airflow Rate (H/M/L) (CFM):	635/582/529
Power Supply Connections:	L1, L2, Ground	Moisture Removal (Gal/hr):	
Min. Circuit Amps MCA (A):	1.6	Gas Pipe Connection (inch):	1/2
Max Overcurrent Protection (MOP) (A):	15	Liquid Pipe Connection (inch):	1/4
Dimensions (HxWxD) (in):	11-13/16 x 39-3/8 x 27-9/16	Condensate Connection (inch):	1
Net Weight (lb):	80	Sound Pressure (H/M) (dBA):	41/39
Ext. Static Pressure (Rated/Max) (inWg):	0.8 / 0.8	Sound Power Level (dBA):	





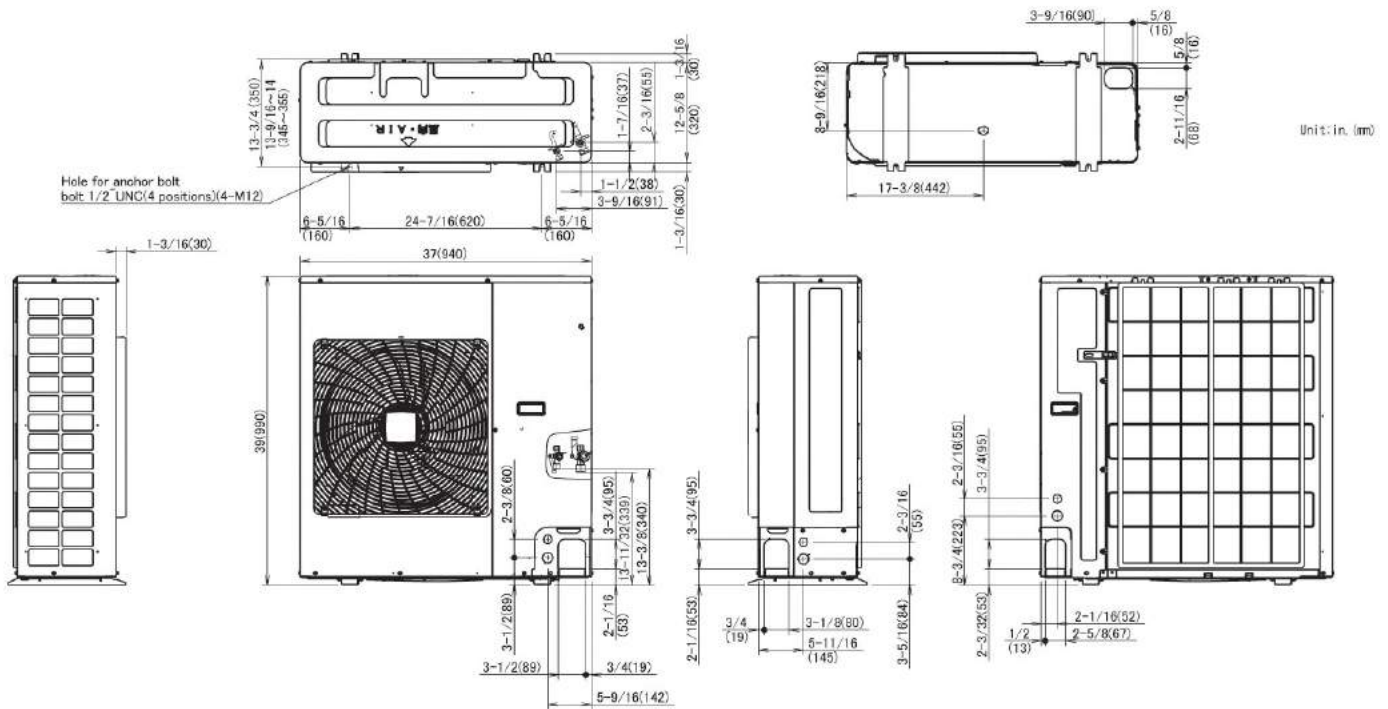
## Submittal Data Sheet

1.5-Ton DC Ducted Cooling Only  
FBQ18PVJURZR18TAVJU

### OUTDOOR UNIT DETAILS

Power Supply (V/Hz/Ph):	208-230 / 60 / 1	Compressor Stage:	
Power Supply Connections:	L1, L2, Ground	Capacity Control Range (%):	14 - 100
Min. Circuit Amps MCA (A):	16.5	Airflow Rate (H) (CFM):	2682
Max Overcurrent Protection (MOP) (A):	25	Gas Pipe Connection (inch):	5/8
Max Starting Current MSC(A):		Liquid Pipe Connection (inch):	3/8
Rated Load Amps RLA(A):	15.3	Sound Pressure (H) (dBA):	58
Dimensions (HxWxD) (in):	39 x 37 x 12-5/8	Sound Power Level (dBA):	
Net Weight (lb):	172		

### DIMENSIONAL DRAWING - OUTDOOR UNIT





## Submittal Data Sheet

2.0-Ton DC Ducted Cooling Only  
FBQ24PVJURZR24TAVJU

### FEATURES

- External static pressure (ESP) capabilities up to 0.8" W.G.
- Three user selected fan speeds available plus fan "Auto" logic
- Low ambient cooling operation down to 0°F (with optional wind baffle(s))
- Built-in condensate pump
- Maximum piping length up to 164 ft. allows flexible placement of indoor unit
- Maximum piping height separation up to 98 ft.
- 10 year limited parts and compressor warranty

### BENEFITS

- DC fan motor provides improved efficiency
- Bottom access for easy service

### INDOOR UNIT



### OUTDOOR UNIT





## Submittal Data Sheet

2.0-Ton DC Ducted Cooling Only  
FBQ24PVJURZR24TAVJU

### SYSTEM PERFORMANCE

Indoor Unit Model No.	FBQ24PVJU	Indoor Unit Name:	Sky-Air DC Ducted
Outdoor Unit Model No.	RZR24TAVJU	Outdoor Unit Name:	Sky-Air 2.0 Ton Cooling Only ODU
Rated Cooling Capacity (Btu/hr):	24,000	Rated Cooling Conditions:	Indoor (°F DB/WB): 80 / 67 Ambient (°F DB/WB): 95 / 75
Sensible Capacity (Btu/hr):	18,700	Rated Piping Length(ft):	25
Max/Min Cooling Capacity (Btu/hr):	/	Rated Height Difference (ft):	0.00
Cooling Input Power (kW):	2.120	Rated Heating Conditions:	Indoor (°F DB/WB): 70 / 60 Ambient (°F DB/WB): 47 / 43
SEER (Non-Ducted/Ducted):	/ 16.50		
EER (Non-Ducted/Ducted):	/ 12.00		

### SYSTEM DETAILS

Refrigerant Type:	R-410A	Cooling Operation Range (°F DB):	23 - 122
Holding Refrigerant Charge (lbs):	6.4	Heating Operation Range (°F WB):	-
Additional Charge (lb/ft):	0.04	Max. Pipe Length (Vertical) (ft):	98
Pre-charge Piping (Length) (ft):	15	Cooling Range w/Baffle (°F DB):	0 - 122
Max. Pipe Length (Total) (ft):	164	Heating Range w/Baffle (°F WB):	-
Max Height Separation (Ind to Ind ft):	0		





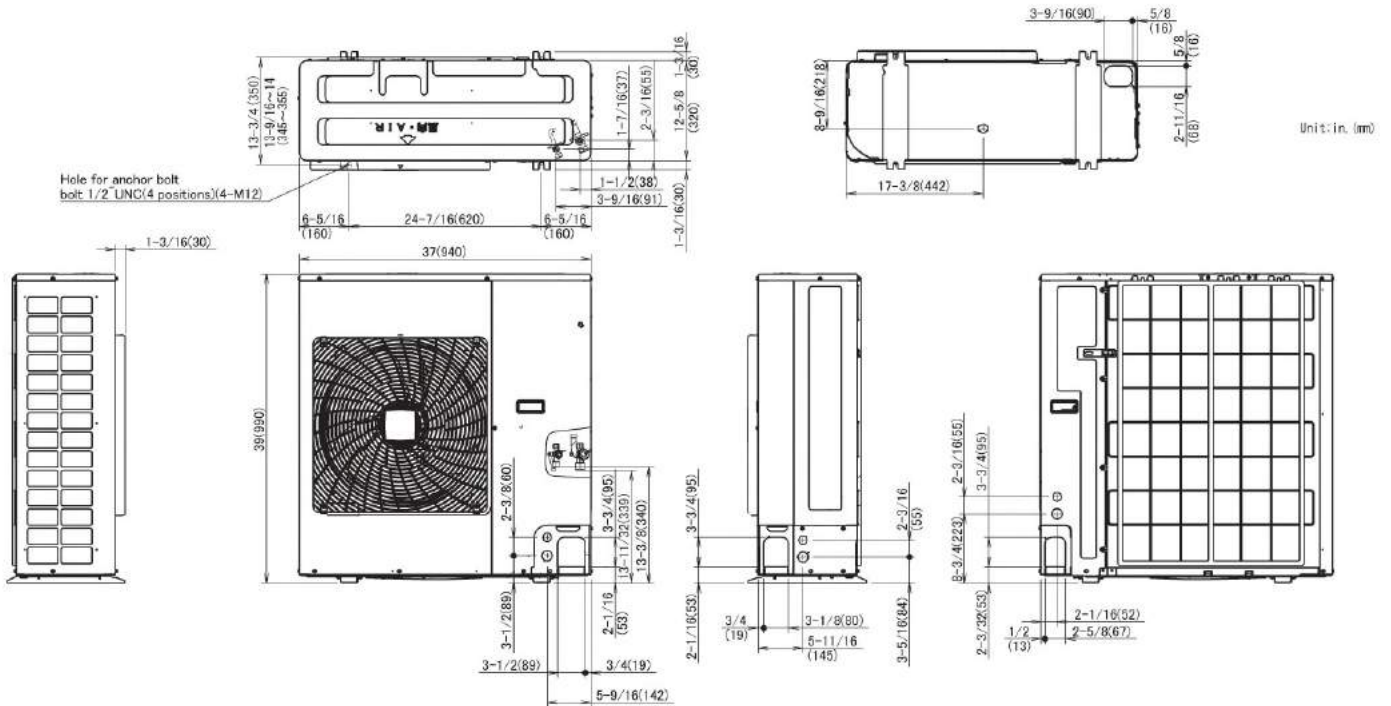
## Submittal Data Sheet

2.0-Ton DC Ducted Cooling Only  
FBQ24PVJURZR24TAVJU

### OUTDOOR UNIT DETAILS

Power Supply (V/Hz/Ph):	208-230 / 60 / 1	Compressor Stage:	
Power Supply Connections:	L1, L2, Ground	Capacity Control Range (%):	14 - 100
Min. Circuit Amps MCA (A):	16.5	Airflow Rate (H) (CFM):	2682
Max Overcurrent Protection (MOP) (A):	25	Gas Pipe Connection (inch):	5/8
Max Starting Current MSC(A):		Liquid Pipe Connection (inch):	3/8
Rated Load Amps RLA(A):	15.3	Sound Pressure (H) (dBA):	58
Dimensions (HxWxD) (in):	39 x 37 x 12-5/8	Sound Power Level (dBA):	
Net Weight (lb):	172		

### DIMENSIONAL DRAWING - OUTDOOR UNIT







## Submittal Data Sheet

2.5-Ton DC Ducted Cooling Only  
FBQ30PVJURZR30TAVJU

### FEATURES

- External static pressure (ESP) capabilities up to 0.8" W.G.
- Three user selected fan speeds available plus fan "Auto" logic
- Low ambient cooling operation down to 0°F (with optional wind baffle(s))
- Built-in condensate pump
- Maximum piping length up to 230 ft. allows flexible placement of indoor unit
- Maximum piping height separation up to 98 ft
- 10 year limited parts and compressor warranty

### BENEFITS

- DC fan motor provides improved efficiency
- Bottom access for easy service

### INDOOR UNIT



### OUTDOOR UNIT





## Submittal Data Sheet

2.5-Ton DC Ducted Cooling Only  
FBQ30PVJURZR30TAVJU

### SYSTEM PERFORMANCE

Indoor Unit Model No.	FBQ30PVJU	Indoor Unit Name:	Sky-Air DC Ducted
Outdoor Unit Model No.	RZR30TAVJU	Outdoor Unit Name:	Sky-Air 2.5 Ton Cooling Only ODU
Rated Cooling Capacity (Btu/hr):	30,000	Rated Cooling Conditions:	Indoor (°F DB/WB): 80 / 67 Ambient (°F DB/WB): 95 / 75
Sensible Capacity (Btu/hr):	23,400	Rated Piping Length(ft):	25
Max/Min Cooling Capacity (Btu/hr):	/	Rated Height Difference (ft):	0.00
Cooling Input Power (kW):	2.120	Rated Heating Conditions:	Indoor (°F DB/WB): 70 / 60 Ambient (°F DB/WB): 47 / 43
SEER (Non-Ducted/Ducted):	/ 16.00		
EER (Non-Ducted/Ducted):	/ 10.50		

### SYSTEM DETAILS

Refrigerant Type:	R-410A	Cooling Operation Range (°F DB):	23 - 122
Holding Refrigerant Charge (lbs):	7.9	Heating Operation Range (°F WB):	-
Additional Charge (lb/ft):	0.04	Max. Pipe Length (Vertical) (ft):	98
Pre-charge Piping (Length) (ft):	15	Cooling Range w/Baffle (°F DB):	0 - 122
Max. Pipe Length (Total) (ft):	230	Heating Range w/Baffle (°F WB):	-
Max Height Separation (Ind to Ind ft):	0		

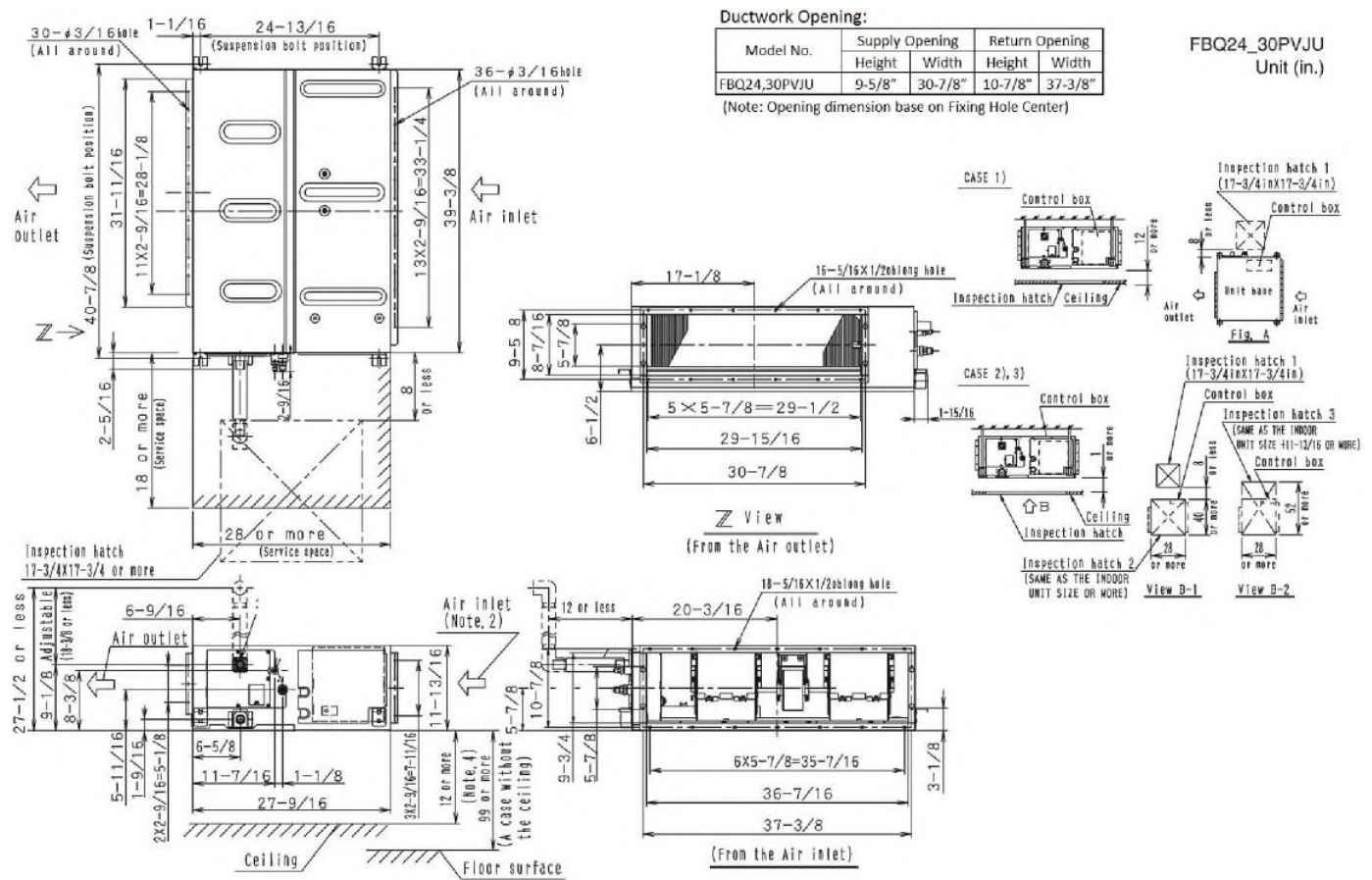


# Submittal Data Sheet

2.5-Ton DC Ducted Cooling Only  
FBQ30PVJURZR30TAVJU

## INDOOR UNIT DETAILS

Power Supply (V/Hz/Ph):	208-230 / 60 / 1	Airflow Rate (H/M/L) (CFM):	882/794/706
Power Supply Connections:	L1, L2, Ground	Moisture Removal (Gal/hr):	
Min. Circuit Amps MCA (A):	2.3	Gas Pipe Connection (inch):	5/8
Max Overcurrent Protection (MOP) (A):	15	Liquid Pipe Connection (inch):	3/8
Dimensions (HxWxD) (in):	11-13/16 x 39-3/8 x 27-9/16	Condensate Connection (inch):	1
Net Weight (lb):	80	Sound Pressure (H/M) (dBA):	43/41
Ext. Static Pressure (Rated/Max) (inWg):	0.8 / 0.8	Sound Power Level (dBA):	



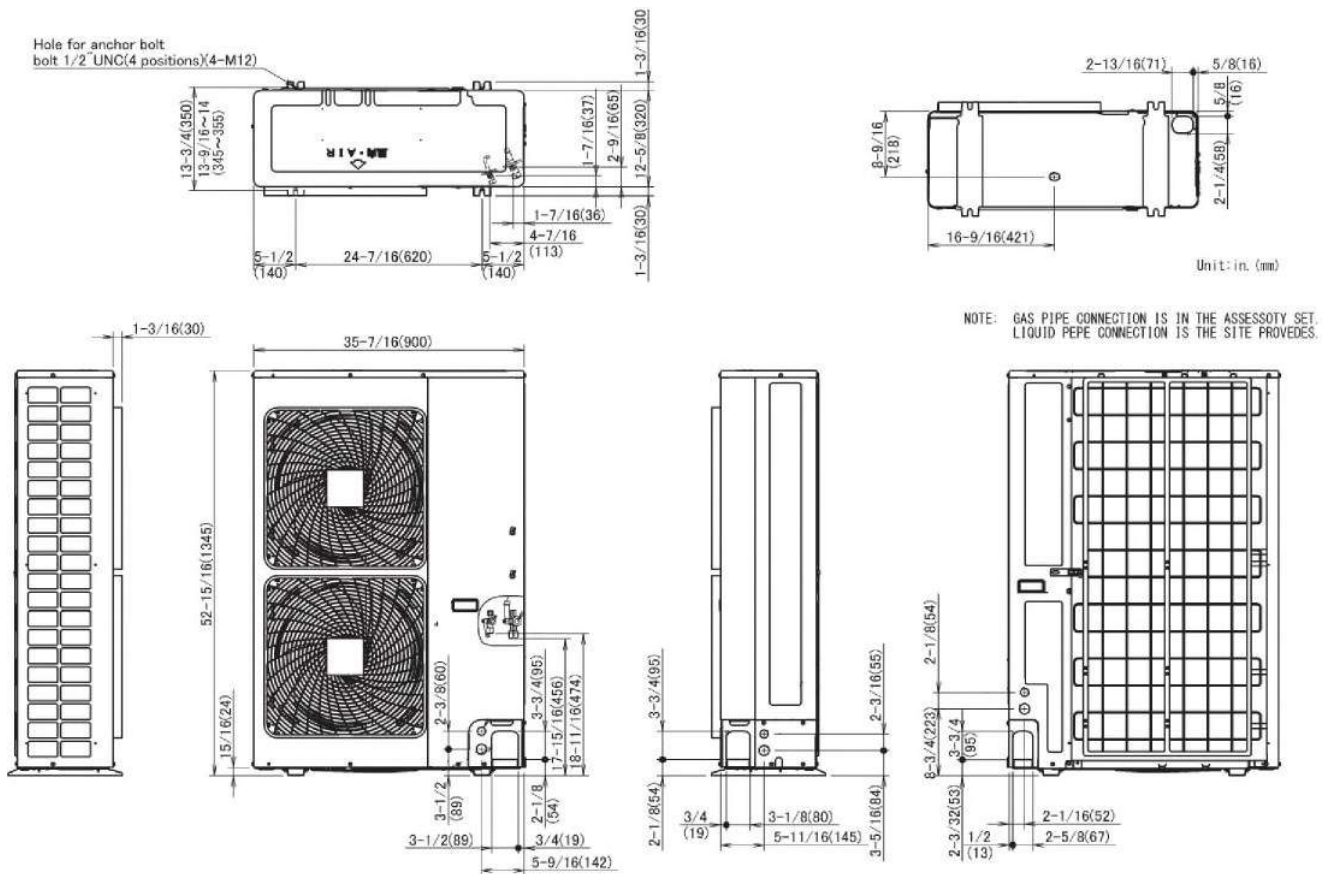


## Submittal Data Sheet

2.5-Ton DC Ducted Cooling Only  
FBQ30PVJURZR30TAVJU

### OUTDOOR UNIT DETAILS

Power Supply (V/Hz/Ph):	208-230 / 60 / 1	Compressor Stage:	
Power Supply Connections:	L1, L2, Ground	Capacity Control Range (%):	14 - 100
Min. Circuit Amps MCA (A):	29.1	Airflow Rate (H) (CFM):	3741
Max Overcurrent Protection (MOP) (A):	35	Gas Pipe Connection (inch):	5/8
Max Starting Current MSC(A):		Liquid Pipe Connection (inch):	3/8
Rated Load Amps RLA(A):	19	Sound Pressure (H) (dBA):	57
Dimensions (HxWxD) (in):	52-15/16 x 35-7/16 x 12-5/8	Sound Power Level (dBA):	
Net Weight (lb):	225		





## Submittal Data Sheet

3.0-Ton DC Ducted Cooling Only  
FBQ36PVJURZR36TAVJU

### FEATURES

- External static pressure (ESP) capabilities up to 0.8" W.G.
- Three user selected fan speeds available plus fan "Auto" logic
- Low ambient cooling operation down to 0°F (with optional wind baffle(s))
- Built-in condensate pump
- Maximum piping length up to 230 ft. allows flexible placement of indoor unit
- Maximum piping height separation up to 98 ft.
- 10 year limited parts and compressor warranty

### BENEFITS

- DC fan motor provides improved efficiency
- Bottom access for easy service

### INDOOR UNIT



### OUTDOOR UNIT





## Submittal Data Sheet

3.0-Ton DC Ducted Cooling Only  
FBQ36PVJURZR36TAVJU

### SYSTEM PERFORMANCE

Indoor Unit Model No.	FBQ36PVJU	Indoor Unit Name:	Sky-Air DC Ducted
Outdoor Unit Model No.	RZR36TAVJU	Outdoor Unit Name:	Sky-Air 3.0 Ton Cooling Only ODU
Rated Cooling Capacity (Btu/hr):	36,000	Rated Cooling Conditions:	Indoor (°F DB/WB): 80 / 67 Ambient (°F DB/WB): 95 / 75
Sensible Capacity (Btu/hr):	27,200	Rated Piping Length(ft):	25
Max/Min Cooling Capacity (Btu/hr):	/	Rated Height Difference (ft):	0.00
Cooling Input Power (kW):	2.990	Rated Heating Conditions:	Indoor (°F DB/WB): 70 / 60 Ambient (°F DB/WB): 47 / 43
SEER (Non-Ducted/Ducted):	/ 17.50		
EER (Non-Ducted/Ducted):	/ 11.10		

### SYSTEM DETAILS

Refrigerant Type:	R-410A	Cooling Operation Range (°F DB):	23 - 122
Holding Refrigerant Charge (lbs):	7.9	Heating Operation Range (°F WB):	-
Additional Charge (lb/ft):	0.04	Max. Pipe Length (Vertical) (ft):	98
Pre-charge Piping (Length) (ft):	15	Cooling Range w/Baffle (°F DB):	0 - 122
Max. Pipe Length (Total) (ft):	230	Heating Range w/Baffle (°F WB):	-
Max Height Separation (Ind to Ind ft):	0		

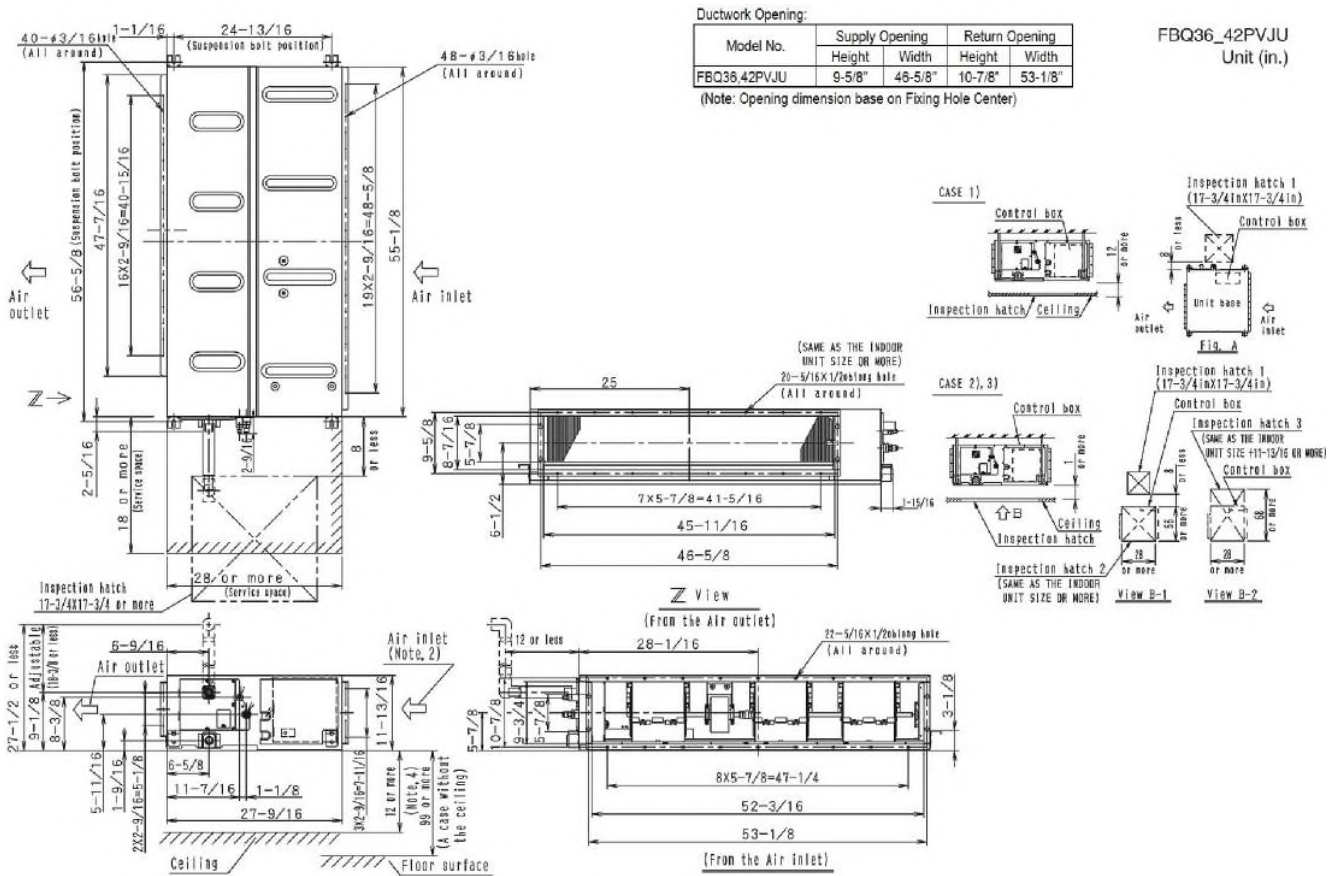


# Submittal Data Sheet

3.0-Ton DC Ducted Cooling Only  
FBQ36PVJURZR36TAVJU

## INDOOR UNIT DETAILS

Power Supply (V/Hz/Ph):	208-230 / 60 / 1	Airflow Rate (H/M/L) (CFM):	1130/953/812
Power Supply Connections:	L1, L2, Ground	Moisture Removal (Gal/hr):	
Min. Circuit Amps MCA (A):	2.9	Gas Pipe Connection (inch):	5/8
Max Overcurrent Protection (MOP) (A):	15	Liquid Pipe Connection (inch):	3/8
Dimensions (HxWxD) (in):	11-13/16 x 55-1/8 x 27-9/16	Condensate Connection (inch):	1
Net Weight (lb):	102	Sound Pressure (H/M) (dBA):	43/41
Ext. Static Pressure (Rated/Max) (inWg):	0.8 / 0.8	Sound Power Level (dBA):	



Daikin North America LLC, 5151 San Felipe, Suite 500, Houston, TX, 77056

Daikin City Generated Submittal Data

[www.daikinac.com](http://www.daikinac.com) [www.daikincomfort.com](http://www.daikincomfort.com)

(Daikin's products are subject to continuous improvements. Daikin reserves the right to modify product design, specifications and information in this data sheet without notice and without incurring any obligations)

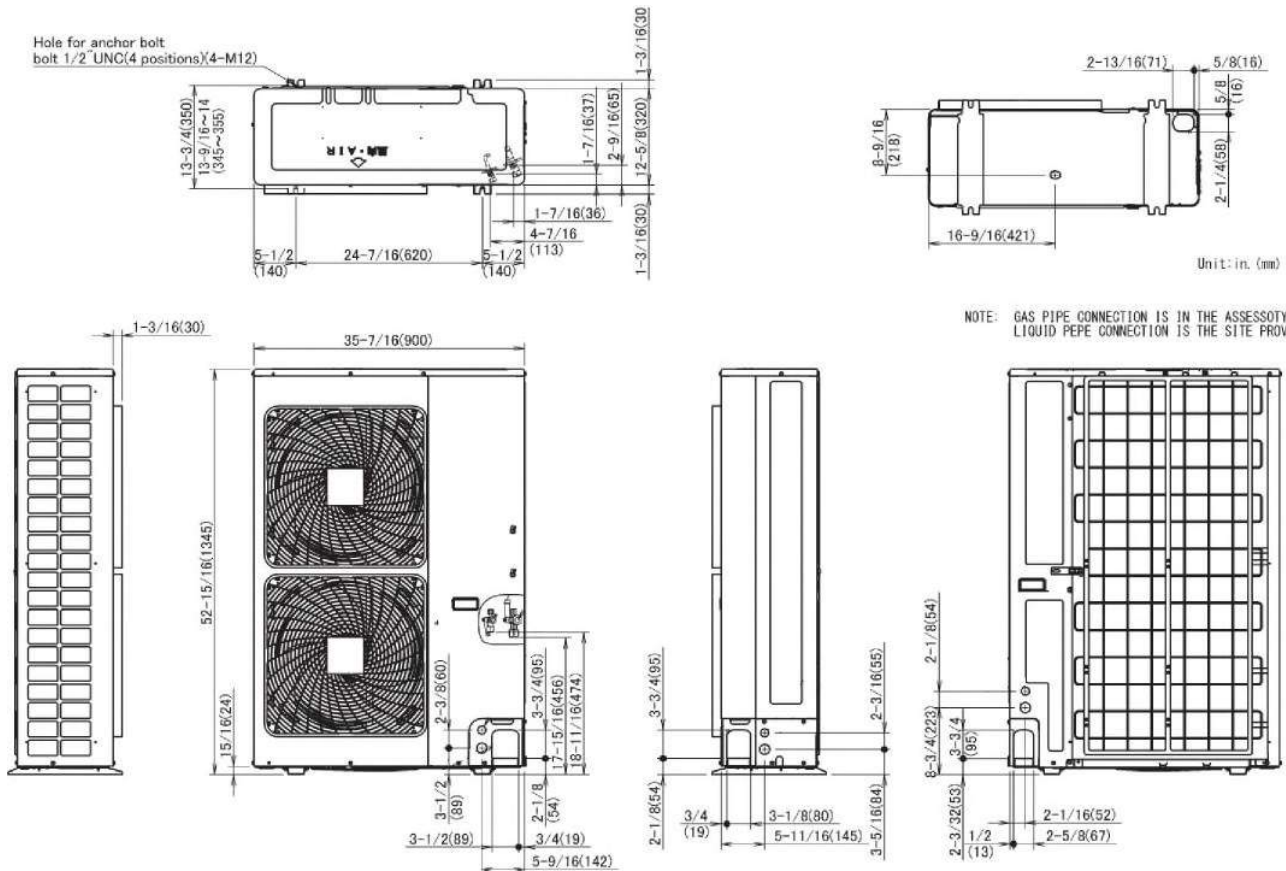


## Submittal Data Sheet

3.0-Ton DC Ducted Cooling Only  
FBQ36PVJURZR36TAVJU

### OUTDOOR UNIT DETAILS

Power Supply (V/Hz/Ph):	208-230 / 60 / 1	Compressor Stage:	
Power Supply Connections:	L1, L2, Ground	Capacity Control Range (%):	14 - 100
Min. Circuit Amps MCA (A):	29.1	Airflow Rate (H) (CFM):	3741
Max Overcurrent Protection (MOP) (A):	35	Gas Pipe Connection (inch):	5/8
Max Starting Current MSC(A):		Liquid Pipe Connection (inch):	3/8
Rated Load Amps RLA(A):	19	Sound Pressure (H) (dBA):	57
Dimensions (HxWxD) (in):	52-15/16 x 35-7/16 x 12-5/8	Sound Power Level (dBA):	
Net Weight (lb):	225		







## Submittal Data Sheet

3.5-Ton DC Ducted Cooling Only

FBQ42PVJURZR42TAVJU

### FEATURES

- External static pressure (ESP) capabilities up to 0.8" W.G.
- Three user selected fan speeds available plus fan "Auto" logic
- Low ambient cooling operation down to 0°F (with optional wind baffle(s))
- Built-in condensate pump
- Maximum piping length up to 230 ft. allows flexible placement of indoor unit
- Maximum piping height separation up to 98 ft.
- 10 year limited parts and compressor warranty

### BENEFITS

- DC fan motor provides improved efficiency
- Bottom access for easy service

### INDOOR UNIT



### OUTDOOR UNIT





## Submittal Data Sheet

3.5-Ton DC Ducted Cooling Only  
FBQ42PVJURZR42TAVJU

### SYSTEM PERFORMANCE

Indoor Unit Model No.	FBQ42PVJU	Indoor Unit Name:	Sky-Air DC Ducted
Outdoor Unit Model No.	RZR42TAVJU	Outdoor Unit Name:	Sky-Air 3.5 Ton Cooling Only ODU
Rated Cooling Capacity (Btu/hr):	40,500	Rated Cooling Conditions:	Indoor (°F DB/WB): 80 / 67 Ambient (°F DB/WB): 95 / 75
Sensible Capacity (Btu/hr):	30,500	Rated Piping Length(ft):	25
Max/Min Cooling Capacity (Btu/hr):	/	Rated Height Difference (ft):	0.00
Cooling Input Power (kW):	3.490	Rated Heating Conditions:	Indoor (°F DB/WB): 70 / 60 Ambient (°F DB/WB): 47 / 43
SEER (Non-Ducted/Ducted):	/ 16.00		
EER (Non-Ducted/Ducted):	/ 10.10		

### SYSTEM DETAILS

Refrigerant Type:	R-410A	Cooling Operation Range (°F DB):	23 - 122
Holding Refrigerant Charge (lbs):	7.9	Heating Operation Range (°F WB):	-
Additional Charge (lb/ft):	0.04	Max. Pipe Length (Vertical) (ft):	98
Pre-charge Piping (Length) (ft):	15	Cooling Range w/Baffle (°F DB):	0 - 122
Max. Pipe Length (Total) (ft):	230	Heating Range w/Baffle (°F WB):	-
Max Height Separation (Ind to Ind ft):	0		

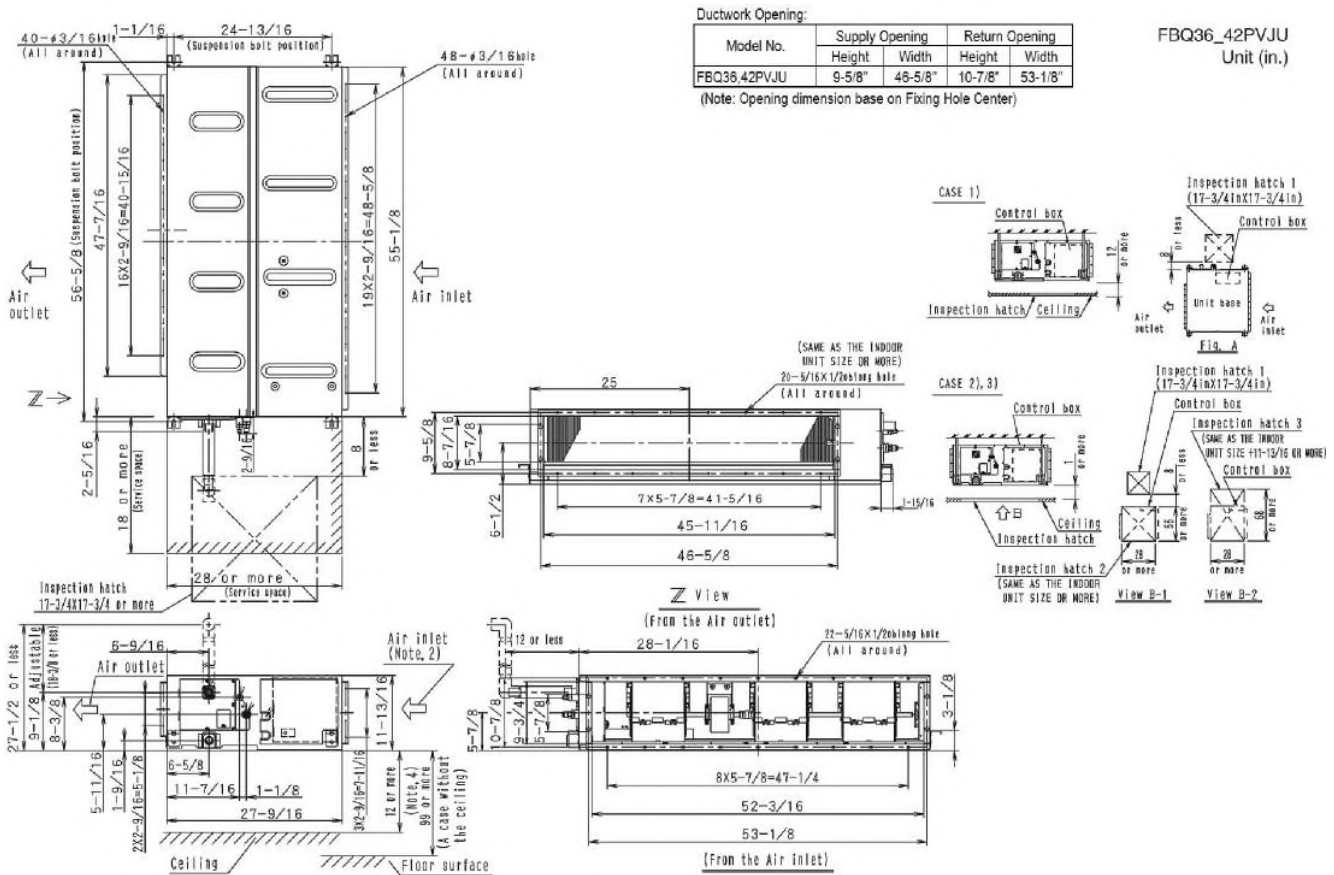


## Submittal Data Sheet

3.5-Ton DC Ducted Cooling Only  
FBQ42PVJURZR42TAVJU

### INDOOR UNIT DETAILS

Power Supply (V/Hz/Ph):	208-230 / 60 / 1	Airflow Rate (H/M/L) (CFM):	1377/1,165/988
Power Supply Connections:	L1, L2, Ground	Moisture Removal (Gal/hr):	
Min. Circuit Amps MCA (A):	3.4	Gas Pipe Connection (inch):	5/8
Max Overcurrent Protection (MOP) (A):	15	Liquid Pipe Connection (inch):	3/8
Dimensions (HxWxD) (in):	11-13/16 x 55-1/8 x 27-9/16	Condensate Connection (inch):	1
Net Weight (lb):	102	Sound Pressure (H/M) (dBA):	44/42
Ext. Static Pressure (Rated/Max) (inWg):	0.8 / 0.8	Sound Power Level (dBA):	



Daikin North America LLC, 5151 San Felipe, Suite 500, Houston, TX, 77056

Daikin City Generated Submittal Data

[www.daikinac.com](http://www.daikinac.com) [www.daikincomfort.com](http://www.daikincomfort.com)

(Daikin's products are subject to continuous improvements. Daikin reserves the right to modify product design, specifications and information in this data sheet without notice and without incurring any obligations)

Submittal Date: 6/3/2019 8:59:39 AM

Page 3 of 4

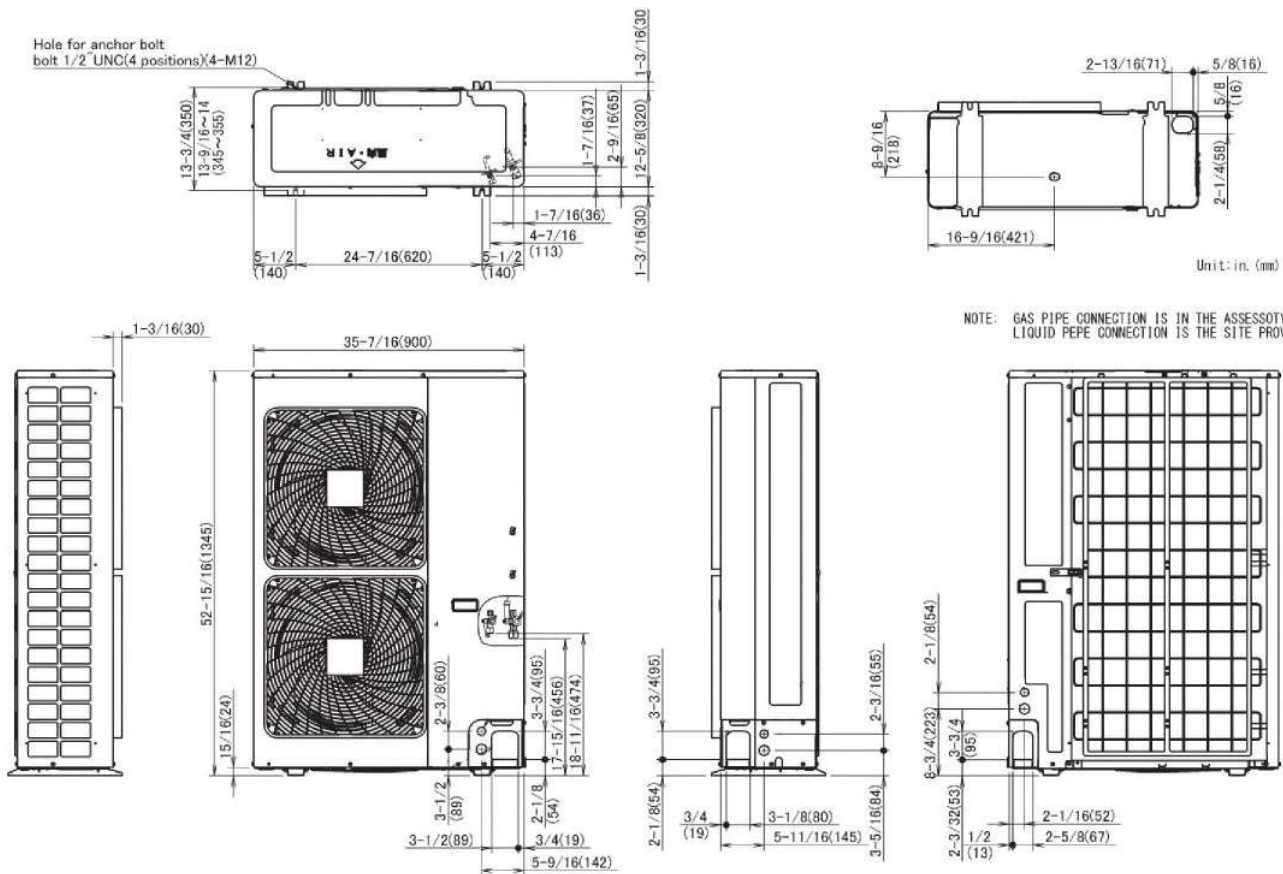


## Submittal Data Sheet

3.5-Ton DC Ducted Cooling Only  
FBQ42PVJURZR42TAVJU

### OUTDOOR UNIT DETAILS

Power Supply (V/Hz/Ph):	208-230 / 60 / 1	Compressor Stage:	
Power Supply Connections:	L1, L2, Ground	Capacity Control Range (%):	14 - 100
Min. Circuit Amps MCA (A):	29.1	Airflow Rate (H) (CFM):	3741
Max Overcurrent Protection (MOP) (A):	35	Gas Pipe Connection (inch):	5/8
Max Starting Current MSC(A):		Liquid Pipe Connection (inch):	3/8
Rated Load Amps RLA(A):	19	Sound Pressure (H) (dBA):	57
Dimensions (HxWxD) (in):	52-15/16 x 35-7/16 x 12-5/8	Sound Power Level (dBA):	
Net Weight (lb):	225		





## Submittal Data Sheet

4.0-Ton DC Ducted Cooling Only  
FBQ48PVJURZR48TAVJU

### FEATURES

- External static pressure (ESP) capabilities up to 0.8" W.G.
- Three user selected fan speeds available plus fan "Auto" logic
- Low ambient cooling operation down to 0°F (with optional wind baffle(s))
- Built-in condensate pump
- Maximum piping length up to 230 ft. allows flexible placement of indoor unit
- Maximum piping height separation up to 98 ft.
- 10 year limited parts and compressor warranty

### BENEFITS

- DC fan motor provides improved efficiency
- Bottom access for easy service

### INDOOR UNIT



### OUTDOOR UNIT





## Submittal Data Sheet

4.0-Ton DC Ducted Cooling Only  
FBQ48PVJURZR48TAVJU

### SYSTEM PERFORMANCE

Indoor Unit Model No.	FBQ48PVJU	Indoor Unit Name:	Sky-Air DC Ducted
Outdoor Unit Model No.	RZR48TAVJU	Outdoor Unit Name:	Sky-Air 4.0 Ton Cooling Only ODU
Rated Cooling Capacity (Btu/hr):	4,800	Rated Cooling Conditions:	Indoor (°F DB/WB): 80 / 67 Ambient (°F DB/WB): 95 / 75
Sensible Capacity (Btu/hr):	36,100	Rated Piping Length(ft):	25
Max/Min Cooling Capacity (Btu/hr):	/	Rated Height Difference (ft):	0.00
Cooling Input Power (kW):			
SEER (Non-Ducted/Ducted):	/ 14.00		
EFER (Non-Ducted/Ducted):	/ 8.60		

### SYSTEM DETAILS

Refrigerant Type:	R-410A	Cooling Operation Range (°F DB):	23 - 122
Holding Refrigerant Charge (lbs):	7.9	Heating Operation Range (°F WB):	-
Additional Charge (lb/ft):	0.04	Max. Pipe Length (Vertical) (ft):	98
Pre-charge Piping (Length) (ft):	15	Cooling Range w/Baffle (°F DB):	0 - 122
Max. Pipe Length (Total) (ft):	230	Heating Range w/Baffle (°F WB):	-
Max Height Separation (Ind to Ind ft):	0		

Daikin City Generated Submittal Data

Daikin North America LLC, 5151 San Felipe, Suite 500, Houston, TX, 77056

[www.daikinac.com](http://www.daikinac.com) [www.daikincomfort.com](http://www.daikincomfort.com)

(Daikin's products are subject to continuous improvements. Daikin reserves the right to modify product design, specifications and information in this data sheet without notice and without incurring any obligations)

Submittal Date: 6/3/2019 9:04:16 AM

Page 2 of 4



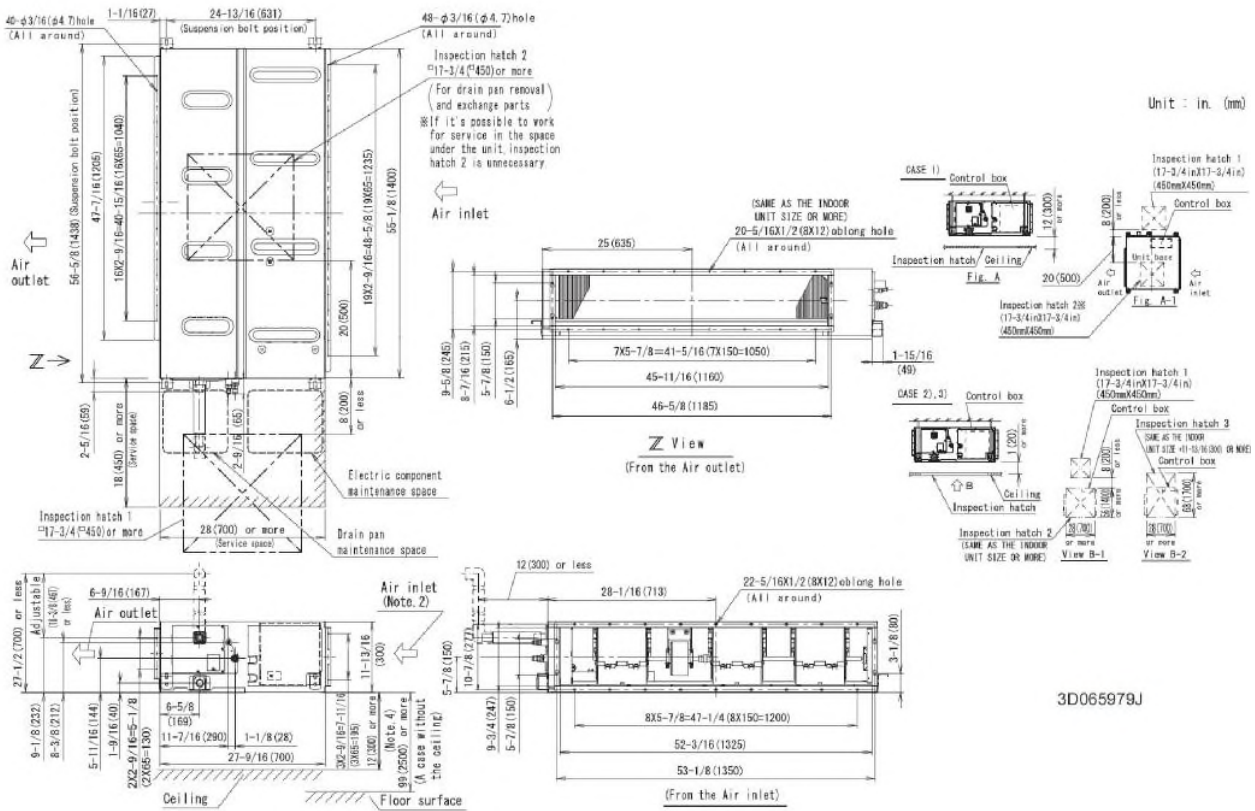
# Submittal Data Sheet

4.0-Ton DC Ducted Cooling Only  
FBQ48PVJURZR48TAVJU

## INDOOR UNIT DETAILS

Power Supply (V/Hz/Ph):	208-230 / 60 / 1	Airflow Rate (H/M/L) (CFM):	1400/1,165/988
Power Supply Connections:	L1, L2, Ground	Moisture Removal (Gal/hr):	
Min. Circuit Amps MCA (A):	3.4	Gas Pipe Connection (inch):	5/8
Max Overcurrent Protection (MOP) (A):	15	Liquid Pipe Connection (inch):	3/8
Dimensions (HxWxD) (in):	11-13/16 x 55-1/8 x 27-9/16	Condensate Connection (inch):	1
Net Weight (lb):	102	Sound Pressure (H/M/L) (dBA):	44/42/40
Ext. Static Pressure (Rated/Max) (inWg):	0.4 / 0.8	Sound Power Level (dBA):	

### FBQ36-48PVJU



Daikin North America LLC, 5151 San Felipe, Suite 500, Houston, TX, 77056

Daikin City Generated Submittal Data

[www.daikinac.com](http://www.daikinac.com) [www.daikincomfort.com](http://www.daikincomfort.com)

(Daikin's products are subject to continuous improvements. Daikin reserves the right to modify product design, specifications and information in this data sheet without notice and without incurring any obligations)

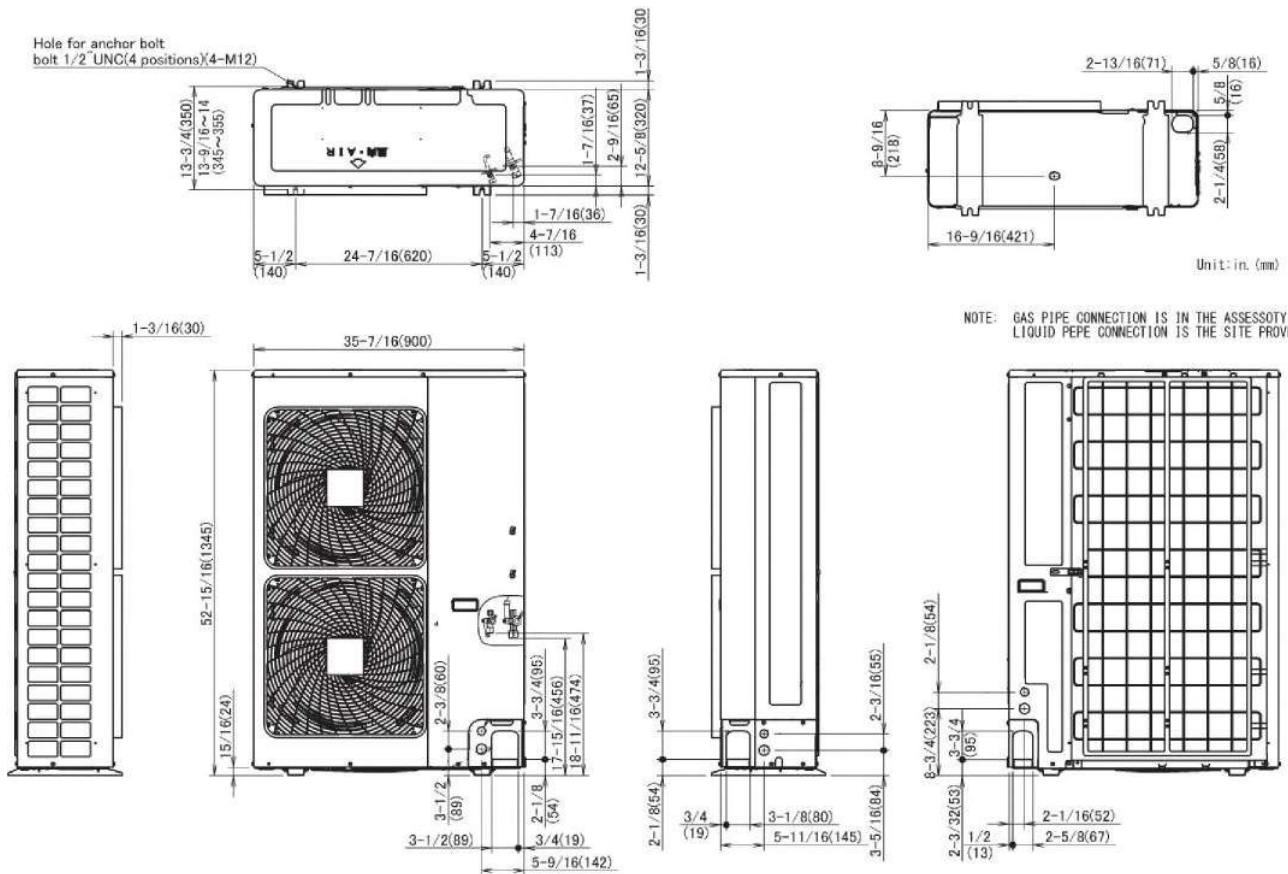


## Submittal Data Sheet

4.0-Ton DC Ducted Cooling Only  
FBQ48PVJURZR48TAVJU

### OUTDOOR UNIT DETAILS

Power Supply (V/Hz/Ph):	208-230 / 60 / 1	Compressor Stage:	
Power Supply Connections:	L1, L2, Ground	Capacity Control Range (%):	14 - 100
Min. Circuit Amps MCA (A):	29.1	Airflow Rate (H) (CFM):	3741
Max Overcurrent Protection (MOP) (A):	35	Gas Pipe Connection (inch):	5/8
Max Starting Current MSC(A):		Liquid Pipe Connection (inch):	3/8
Rated Load Amps RLA(A):	19	Sound Pressure (H) (dBA):	57
Dimensions (HxWxD) (in):	52-15/16 x 35-7/16 x 12-5/8	Sound Power Level (dBA):	
Net Weight (lb):	225		







**Submittal Data Sheet**

1.5-Ton Roundflow Sensing Cassette Cooling Only  
FCQ18TAVJURZR18TAVJU

**INDOOR UNIT**



**OUTDOOR UNIT**





## Submittal Data Sheet

1.5-Ton Roundflow Sensing Cassette Cooling Only  
FCQ18TAVJURZR18TAVJU

### SYSTEM PERFORMANCE

Indoor Unit Model No.	FCQ18TAVJU	Indoor Unit Name:	Sky-Air Round Flow Sensing Cassette
Outdoor Unit Model No.	RZR18TAVJU	Outdoor Unit Name:	Sky-Air Cooling Only ODU
Rated Cooling Capacity (Btu/hr):	18,000	Rated Cooling Conditions:	Indoor (°F DB/WB): 80 / 67 Ambient (°F DB/WB): 95 / 75
Sensible Capacity (Btu/hr):	16,100	Rated Piping Length(ft):	25
Max/Min Cooling Capacity (Btu/hr):	/	Rated Height Difference (ft):	0.00
Cooling Input Power (kW):			
SEER (Non-Ducted/Ducted):	18.60 /		
EER (Non-Ducted/Ducted):	13.00 /		

### SYSTEM DETAILS

Refrigerant Type:	R-410A	Cooling Operation Range (°F DB):	23 - 122
Holding Refrigerant Charge (lbs):	6.4	Heating Operation Range (°F WB):	-
Additional Charge (lb/ft):	0.04	Max. Pipe Length (Vertical) (ft):	98
Pre-charge Piping (Length) (ft):	15	Cooling Range w/Baffle (°F DB):	0 - 122
Max. Pipe Length (Total) (ft):	164	Heating Range w/Baffle (°F WB):	-
Max Height Separation (Ind to Ind ft):	0		

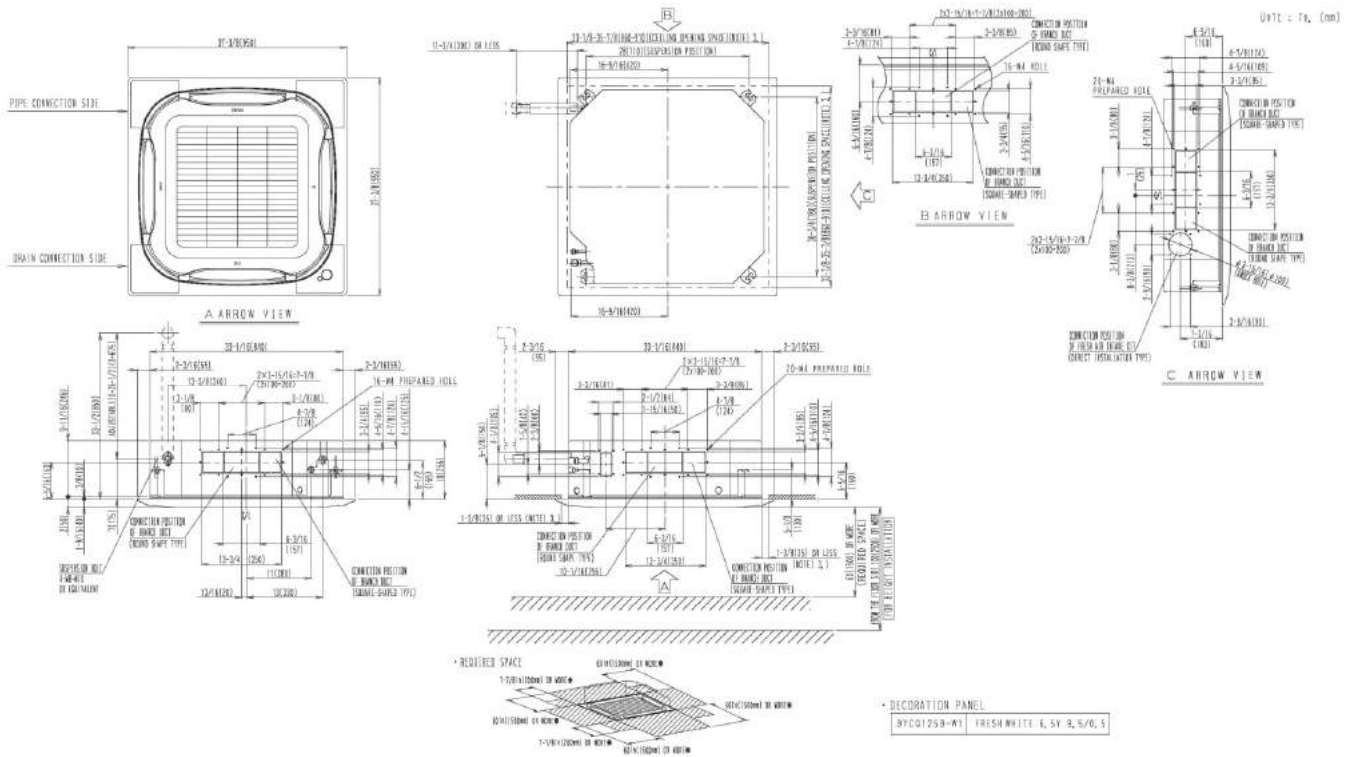


## Submittal Data Sheet

1.5-Ton Roundflow Sensing Cassette Cooling Only  
FCQ18TAVJURZR18TAVJU

### INDOOR UNIT DETAILS

Power Supply (V/Hz/Ph):	208-230 / 60 / 1	Airflow Rate (H/M/L) (CFM):	742/618/477
Power Supply Connections:	L1, L2, Ground	Moisture Removal (Gal/hr):	
Min. Circuit Amps MCA (A):	0.6	Gas Pipe Connection (inch):	5/8
Max Overcurrent Protection (MOP) (A):	15	Liquid Pipe Connection (inch):	3/8
Dimensions (HxWxD) (in):	10-1/16 x 33-1/16 x 33-1/16	Condensate Connection (inch):	1
Net Weight (lb):	63	Sound Pressure (H/M/L) (dBA):	36/32/28
Ext. Static Pressure (Rated/Max) (inWg):	/	Sound Power Level (dBA):	



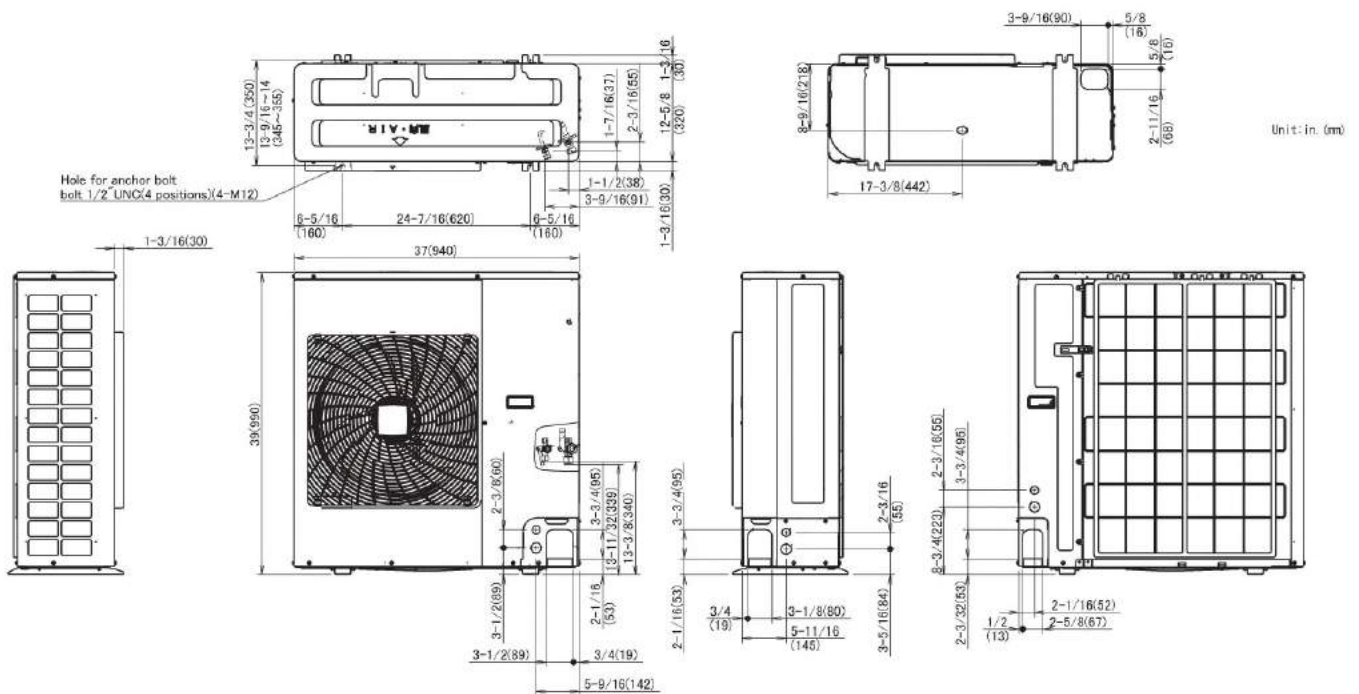


## Submittal Data Sheet

1.5-Ton Roundflow Sensing Cassette Cooling Only  
FCQ18TAVJURZR18TAVJU

### OUTDOOR UNIT DETAILS

Power Supply (V/Hz/Ph):	208-230 / 60 / 1	Compressor Stage:	
Power Supply Connections:	L1, L2, Ground	Capacity Control Range (%):	14-100
Min. Circuit Amps MCA (A):	16.5	Airflow Rate (H) (CFM):	2682
Max Overcurrent Protection (MOP) (A):	25	Gas Pipe Connection (inch):	5/8
Max Starting Current MSC(A):		Liquid Pipe Connection (inch):	3/8
Rated Load Amps RLA(A):		Sound Pressure (H) (dBA):	58
Dimensions (HxWxD) (in):	39 x 37 x 12-5/8	Sound Power Level (dBA):	
Net Weight (lb):	172		





**Submittal Data Sheet**

2.0-Ton Roundflow Sensing Cassette Cooling Only  
FCQ24TAVJURZR24TAVJU

**INDOOR UNIT**



**OUTDOOR UNIT**





## Submittal Data Sheet

2.0-Ton Roundflow Sensing Cassette Cooling Only  
FCQ24TAVJURZR24TAVJU

### SYSTEM PERFORMANCE

Indoor Unit Model No.	FCQ24TAVJU	Indoor Unit Name:	SkyAir Round Flow Sensing Cassette
Outdoor Unit Model No.	RZR24TAVJU	Outdoor Unit Name:	Sky-Air Cooling Only ODU
Rated Cooling Capacity (Btu/hr):	24,000	Rated Cooling Conditions:	Indoor (°F DB/WB): 80 / 67 Ambient (°F DB/WB): 95 / 75
Sensible Capacity (Btu/hr):	19,900	Rated Piping Length(ft):	25
Max/Min Cooling Capacity (Btu/hr):	/	Rated Height Difference (ft):	0.00
Cooling Input Power (kW):			
SEER (Non-Ducted/Ducted):	18.50 /		
EER (Non-Ducted/Ducted):	12.00 /		

### SYSTEM DETAILS

Refrigerant Type:	R-410A	Cooling Operation Range (°F DB):	23 - 122
Holding Refrigerant Charge (lbs):	6.4	Heating Operation Range (°F WB):	-
Additional Charge (lb/ft):	0.04	Max. Pipe Length (Vertical) (ft):	98
Pre-charge Piping (Length) (ft):	15	Cooling Range w/Baffle (°F DB):	0 - 122
Max. Pipe Length (Total) (ft):	164	Heating Range w/Baffle (°F WB):	-
Max Height Separation (Ind to Ind ft):	0		

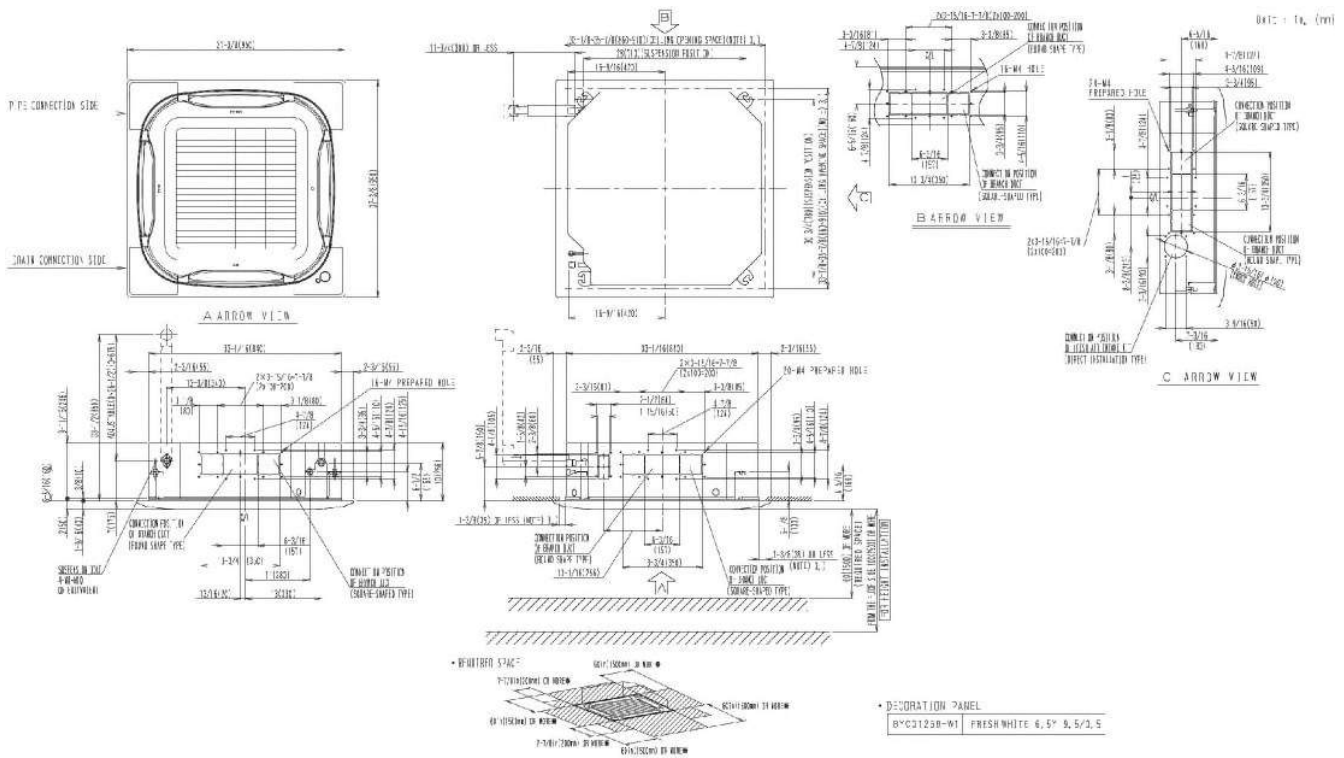


## Submittal Data Sheet

2.0-Ton Roundflow Sensing Cassette Cooling Only  
FCQ24TAVJURZR24TAVJU

### INDOOR UNIT DETAILS

Power Supply (V/Hz/Ph):	208-230 / 60 / 1	Airflow Rate (H/M/L) (CFM):	777/618/477
Power Supply Connections:	L1, L2, Ground	Moisture Removal (Gal/hr):	
Min. Circuit Amps MCA (A):	0.7	Gas Pipe Connection (inch):	5/8
Max Overcurrent Protection (MOP) (A):	15	Liquid Pipe Connection (inch):	3/8
Dimensions (HxWxD) (in):	10-1/16 x 33-1/16 x 33-1/16	Condensate Connection (inch):	1
Net Weight (lb):	63	Sound Pressure (H/M/L) (dBA):	36/32/28
Ext. Static Pressure (Rated/Max) (inWg):	/	Sound Power Level (dBA):	



Daikin North America LLC, 5151 San Felipe, Suite 500, Houston, TX, 77056

Daikin City Generated Submittal Data

[www.daikinac.com](http://www.daikinac.com) [www.daikincomfort.com](http://www.daikincomfort.com)

(Daikin's products are subject to continuous improvements. Daikin reserves the right to modify product design, specifications and information in this data sheet without notice and without incurring any obligations)

Submittal Date: 6/3/2019 9:42:48 AM

Page 3 of 4

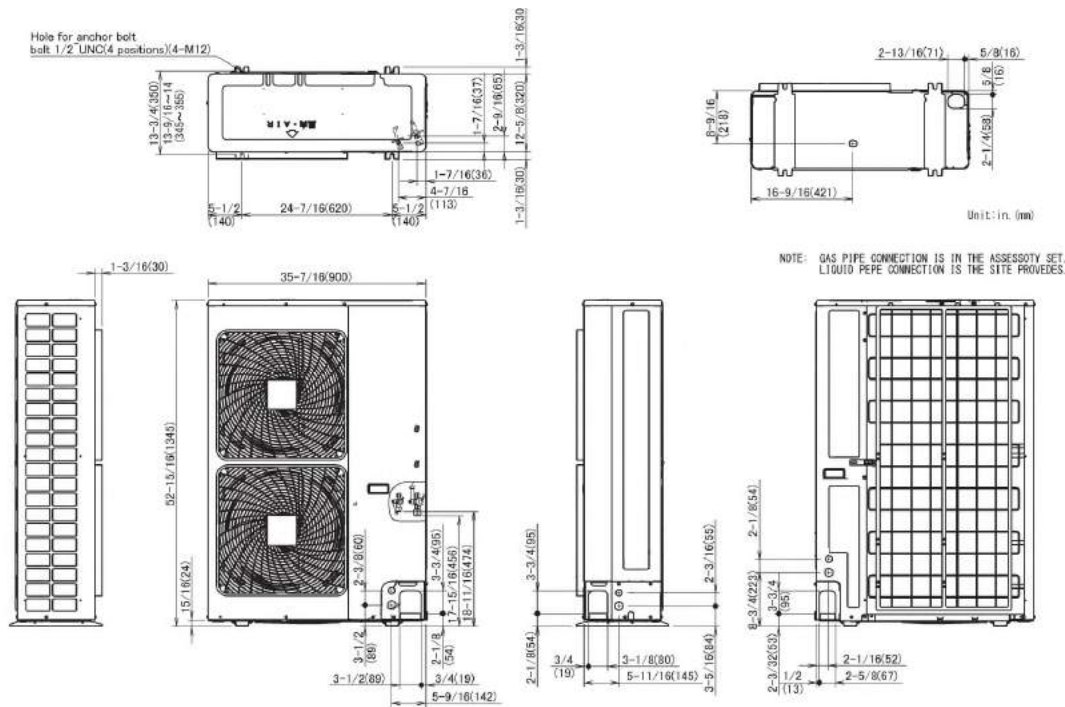


## Submittal Data Sheet

2.0-Ton Roundflow Sensing Cassette Cooling Only  
FCQ24TAVJURZR24TAVJU

### OUTDOOR UNIT DETAILS

Power Supply (V/Hz/Ph):	208-230 / 60 / 1	Compressor Stage:	
Power Supply Connections:	L1, L2, Ground	Capacity Control Range (%):	14 - 100
Min. Circuit Amps MCA (A):	16.5	Airflow Rate (H) (CFM):	2682
Max Overcurrent Protection (MOP) (A):	25	Gas Pipe Connection (inch):	5/8
Dimensions (HxWxD) (in):	39 x 37 x 12-5/8	Liquid Pipe Connection (inch):	3/8
Net Weight (lb):	172	Sound Pressure (H) (dBA):	58
		Sound Power Level (dBA):	



Daikin North America LLC, 5151 San Felipe, Suite 500, Houston, TX, 77056

Daikin City Generated Submittal Data

[www.daikinac.com](http://www.daikinac.com) [www.daikincomfort.com](http://www.daikincomfort.com)

(Daikin's products are subject to continuous improvements. Daikin reserves the right to modify product design, specifications and information in this data sheet without notice and without incurring any obligations)

Submittal Date: 6/3/2019 9:42:48 AM

Page 4 of 4





**Submittal Data Sheet**

2.5-Ton Roundflow Sensing Cassette Cooling Only  
FCQ30TAVJURZR30TAVJU

**INDOOR UNIT**



**OUTDOOR UNIT**





## Submittal Data Sheet

2.5-Ton Roundflow Sensing Cassette Cooling Only  
FCQ30TAVJURZR30TAVJU

### SYSTEM PERFORMANCE

Indoor Unit Model No.	FCQ30TAVJU	Indoor Unit Name:	Sky-Air Round Flow Sensing Cassette
Outdoor Unit Model No.	RZR30TAVJU	Outdoor Unit Name:	Sky-Air Cooling Only ODU
Rated Cooling Capacity (Btu/hr):	30,000	Rated Cooling Conditions:	Indoor (°F DB/WB): 80 / 67 Ambient (°F DB/WB): 95 / 75
Sensible Capacity (Btu/hr):	22,300	Rated Piping Length(ft):	25
Max/Min Cooling Capacity (Btu/hr):	/	Rated Height Difference (ft):	0.00
Cooling Input Power (kW):			
SEER (Non-Ducted/Ducted):	17.20 /		
EER (Non-Ducted/Ducted):	9.30 /		

### SYSTEM DETAILS

Refrigerant Type:	R-410A	Cooling Operation Range (°F DB):	23 - 122
Holding Refrigerant Charge (lbs):	7.9	Heating Operation Range (°F WB):	-
Additional Charge (lb/ft):	0.04	Max. Pipe Length (Vertical) (ft):	98
Pre-charge Piping (Length) (ft):	15	Cooling Range w/Baffle (°F DB):	0 - 122
Max. Pipe Length (Total) (ft):	230	Heating Range w/Baffle (°F WB):	-
Max Height Separation (Ind to Ind ft):	0		

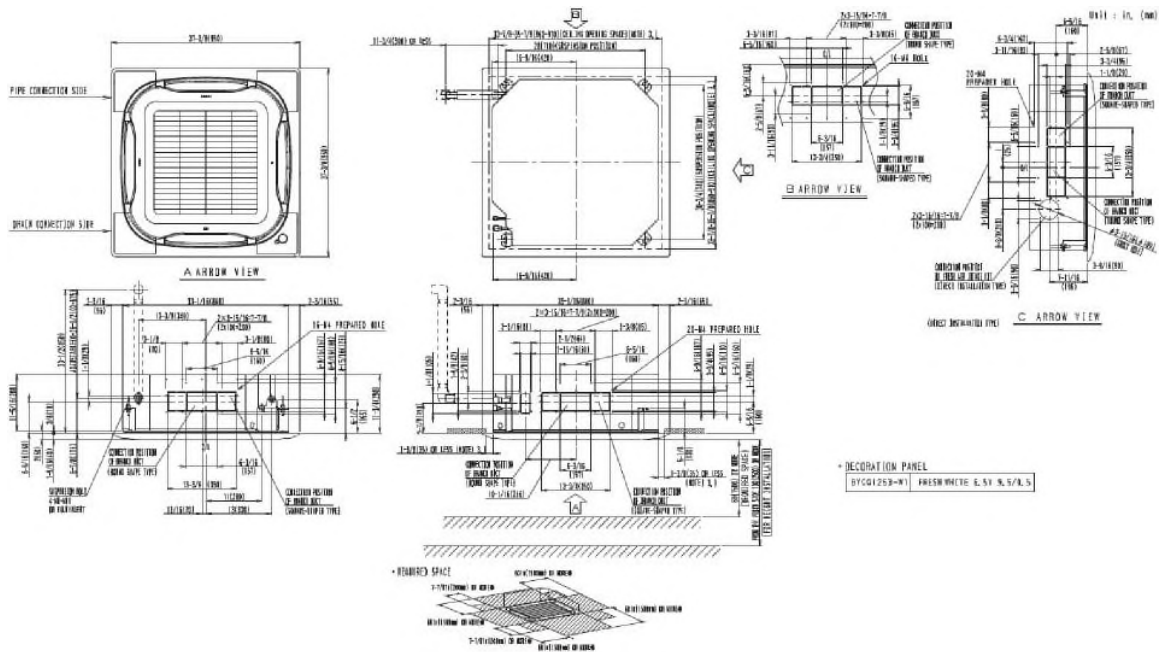


## Submittal Data Sheet

2.5-Ton Roundflow Sensing Cassette Cooling Only  
FCQ30TAVJURZR30TAVJU

### INDOOR UNIT DETAILS

Power Supply (V/Hz/Ph):	208-230 / 60 / 1	Airflow Rate (H/M/L) (CFM):	1112/918/671
Power Supply Connections:	L1, L2, Ground	Moisture Removal (Gal/hr):	
Min. Circuit Amps MCA (A):	1.3	Gas Pipe Connection (inch):	5/8
Max Overcurrent Protection (MOP) (A):	15	Liquid Pipe Connection (inch):	3/8
Dimensions (HxWxD) (in):	11-23/32 x 33-1/16 x 33-1/16	Condensate Connection (inch):	1
Net Weight (lb):	70	Sound Pressure (H/M/L) (dBA):	44/38/32
Ext. Static Pressure (Rated/Max) (inWg):	/	Sound Power Level (dBA):	



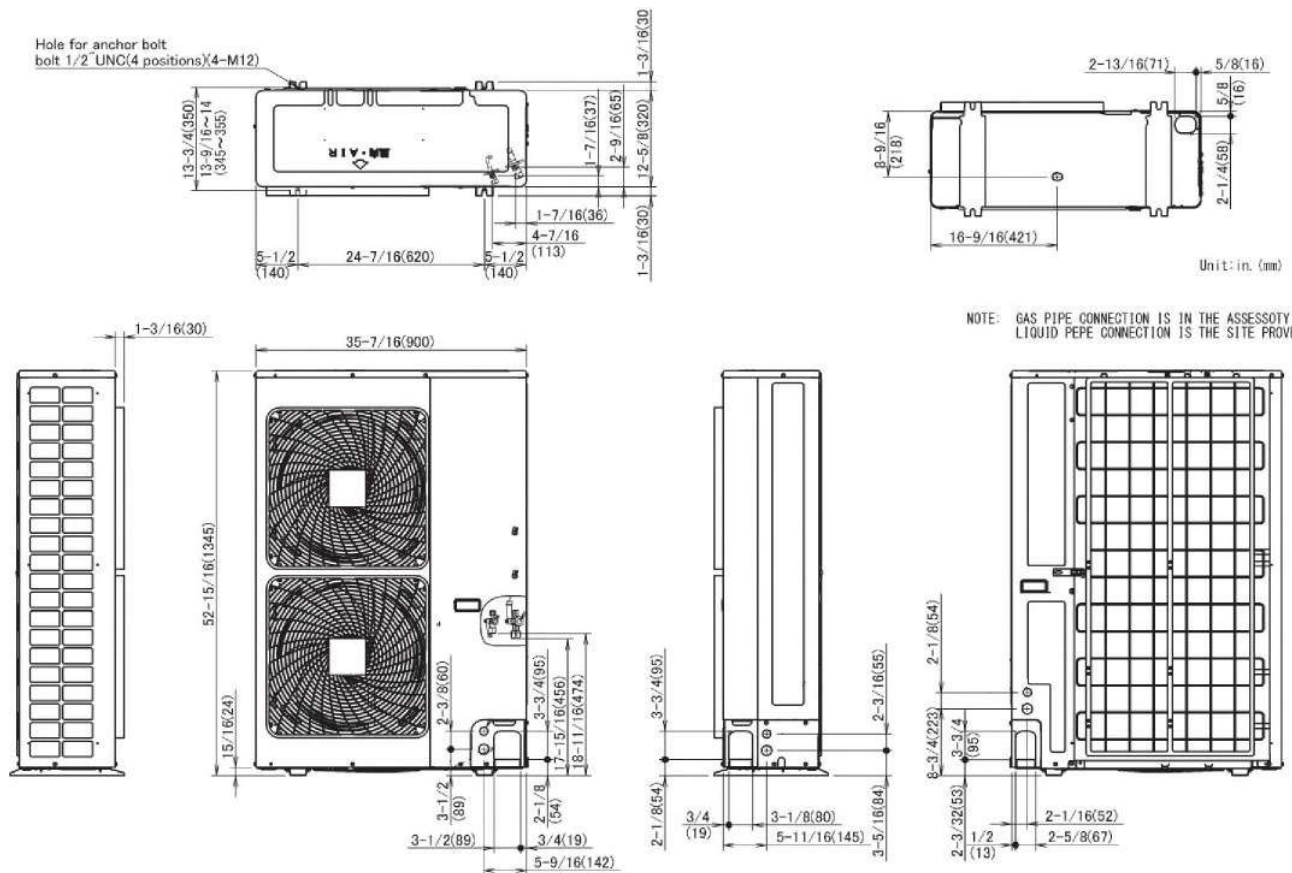


## Submittal Data Sheet

2.5-Ton Roundflow Sensing Cassette Cooling Only  
FCQ30TAVJURZR30TAVJU

### OUTDOOR UNIT DETAILS

Power Supply (V/Hz/Ph):	208-230 / 60 / 1	Compressor Stage:	
Power Supply Connections:	L1, L2, Ground	Capacity Control Range (%):	14 - 100
Min. Circuit Amps MCA (A):	29.1	Airflow Rate (H) (CFM):	3741
Max Overcurrent Protection (MOP) (A):	35	Gas Pipe Connection (inch):	5/8
Max Starting Current MSC(A):		Liquid Pipe Connection (inch):	3/8
Rated Load Amps RLA(A):	19	Sound Pressure (H) (dBA):	57
Dimensions (HxWxD) (in):	52-15/16 x 35-7/16 x 12-5/8	Sound Power Level (dBA):	
Net Weight (lb):	225		





**Submittal Data Sheet**

3.0-Ton Roundflow Sensing Cassette Cooling Only  
FCQ36TAVJURZR36TAVJU

**INDOOR UNIT**



**OUTDOOR UNIT**





## Submittal Data Sheet

3.0-Ton Roundflow Sensing Cassette Cooling Only  
FCQ36TAVJURZR36TAVJU

### SYSTEM PERFORMANCE

Indoor Unit Model No.	FCQ36TAVJU	Indoor Unit Name:	Sky-Air Round Flow Sensing Cassette
Outdoor Unit Model No.	RZR36TAVJU	Outdoor Unit Name:	Sky-Air Cooling Only ODU
Rated Cooling Capacity (Btu/hr):	36,000	Rated Cooling Conditions:	Indoor (°F DB/WB): 80 / 67 Ambient (°F DB/WB): 95 / 75
Sensible Capacity (Btu/hr):	28,300	Rated Piping Length(ft):	25
Max/Min Cooling Capacity (Btu/hr):	/	Rated Height Difference (ft):	0.00
Cooling Input Power (kW):			
SEER (Non-Ducted/Ducted):	17.60 /		
EER (Non-Ducted/Ducted):	11.40 /		

### SYSTEM DETAILS

Refrigerant Type:	R-410A	Cooling Operation Range (°F DB):	23 - 122
Holding Refrigerant Charge (lbs):	7.9	Heating Operation Range (°F WB):	-
Additional Charge (lb/ft):	0.04	Max. Pipe Length (Vertical) (ft):	98
Pre-charge Piping (Length) (ft):	15	Cooling Range w/Baffle (°F DB):	0 - 122
Max. Pipe Length (Total) (ft):	230	Heating Range w/Baffle (°F WB):	-
Max Height Separation (Ind to Ind ft):	0		

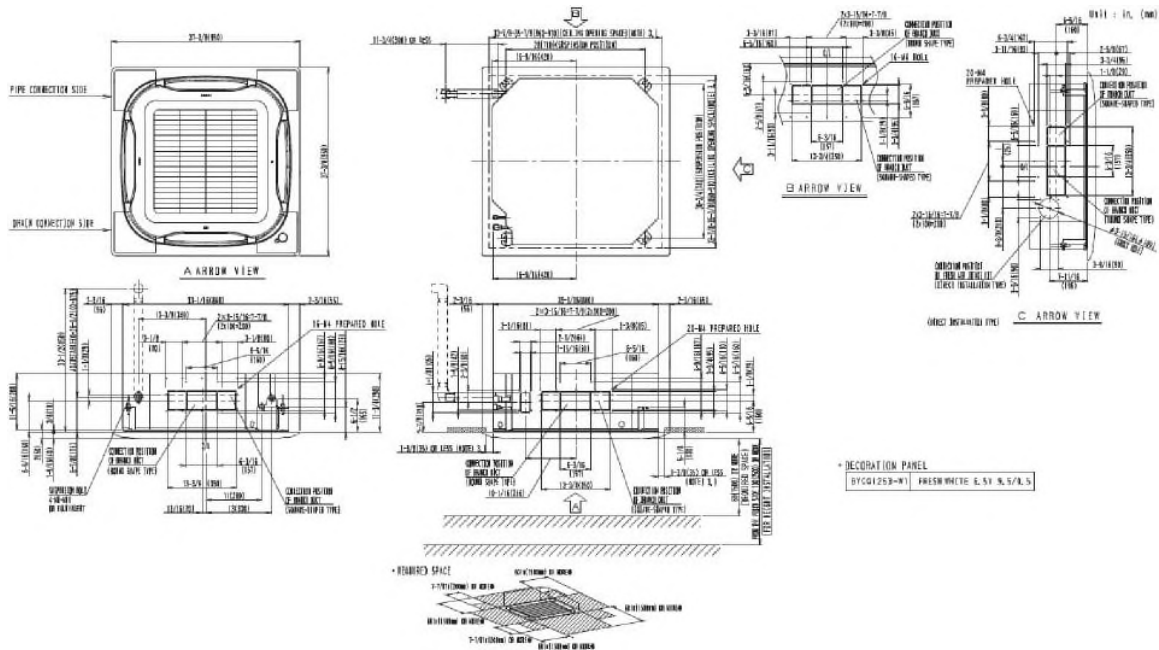


## Submittal Data Sheet

3.0-Ton Roundflow Sensing Cassette Cooling Only  
FCQ36TAVJURZR36TAVJU

### INDOOR UNIT DETAILS

Power Supply (V/Hz/Ph):	208-230 / 60 / 1	Airflow Rate (H/M/L) (CFM):	1165/918/671
Power Supply Connections:	L2, L2, Ground	Moisture Removal (Gal/hr):	
Min. Circuit Amps MCA (A):	1.5	Gas Pipe Connection (inch):	5/8
Max Overcurrent Protection (MOP) (A):	15	Liquid Pipe Connection (inch):	3/8
Dimensions (HxWxD) (in):	11-23/32 x 33-1/16 x 33-1/16	Condensate Connection (inch):	1
Net Weight (lb):	70	Sound Pressure (H/M/L) (dBA):	44/38/32
Ext. Static Pressure (Rated/Max) (inWg):	/	Sound Power Level (dBA):	



Daikin North America LLC, 5151 San Felipe, Suite 500, Houston, TX, 77056

Daikin City Generated Submittal Data

[www.daikinac.com](http://www.daikinac.com) [www.daikincomfort.com](http://www.daikincomfort.com)

(Daikin's products are subject to continuous improvements. Daikin reserves the right to modify product design, specifications and information in this data sheet without notice and without incurring any obligations)

Submittal Date: 6/3/2019 9:51:03 AM

Page 3 of 4

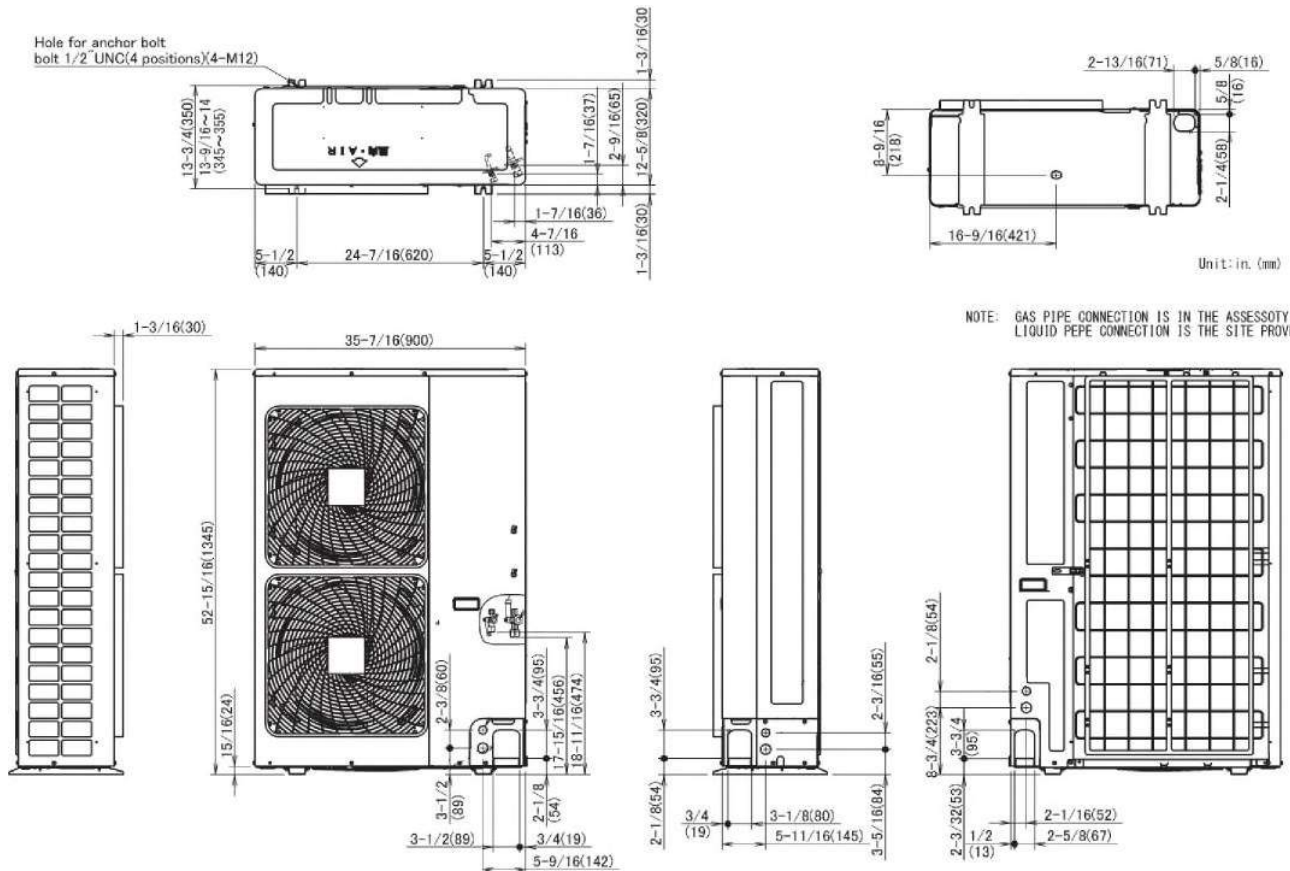


## Submittal Data Sheet

3.0-Ton Roundflow Sensing Cassette Cooling Only  
FCQ36TAVJURZR36TAVJU

### OUTDOOR UNIT DETAILS

Power Supply (V/Hz/Ph):	208-230 / 60 / 1	Compressor Stage:	
Power Supply Connections:	L1, L2, Ground	Capacity Control Range (%):	-
Min. Circuit Amps MCA (A):	29.1	Airflow Rate (H) (CFM):	3741
Max Overcurrent Protection (MOP) (A):	35	Gas Pipe Connection (inch):	5/8
Max Starting Current MSC(A):		Liquid Pipe Connection (inch):	3/8
Rated Load Amps RLA(A):	19	Sound Pressure (H) (dBA):	57
Dimensions (HxWxD) (in):	52-15/16 x 35-7/16 x 12-5/8	Sound Power Level (dBA):	
Net Weight (lb):	225		







**Submittal Data Sheet**

3.5-Ton Roundflow Sensing Cassette Cooling Only  
FCQ42TAVJURZR42TAVJU

**INDOOR UNIT**



**OUTDOOR UNIT**





## Submittal Data Sheet

3.5-Ton Roundflow Sensing Cassette Cooling Only  
FCQ42TAVJURZR42TAVJU

### SYSTEM PERFORMANCE

Indoor Unit Model No.	FCQ42TAVJU	Indoor Unit Name:	Sky-Air Round Flow Sensing Cassette
Outdoor Unit Model No.	RZR42TAVJU	Outdoor Unit Name:	Sky-Air Cooling Only ODU
Rated Cooling Capacity (Btu/hr):	42,000	Rated Cooling Conditions:	Indoor (°F DB/WB): 80 / 67 Ambient (°F DB/WB): 95 / 75
Sensible Capacity (Btu/hr):	30,600	Rated Piping Length(ft):	25
Max/Min Cooling Capacity (Btu/hr):	/	Rated Height Difference (ft):	0.00
Cooling Input Power (kW):			
SEER (Non-Ducted/Ducted):	17.00 /		
EER (Non-Ducted/Ducted):	10.30 /		

### SYSTEM DETAILS

Refrigerant Type:	R-410A	Cooling Operation Range (°F DB):	23 - 122
Holding Refrigerant Charge (lbs):	7.9	Heating Operation Range (°F WB):	-
Additional Charge (lb/ft):	0.04	Max. Pipe Length (Vertical) (ft):	98
Pre-charge Piping (Length) (ft):	15	Cooling Range w/Baffle (°F DB):	0 - 122
Max. Pipe Length (Total) (ft):	230	Heating Range w/Baffle (°F WB):	-
Max Height Separation (Ind to Ind ft):	0		

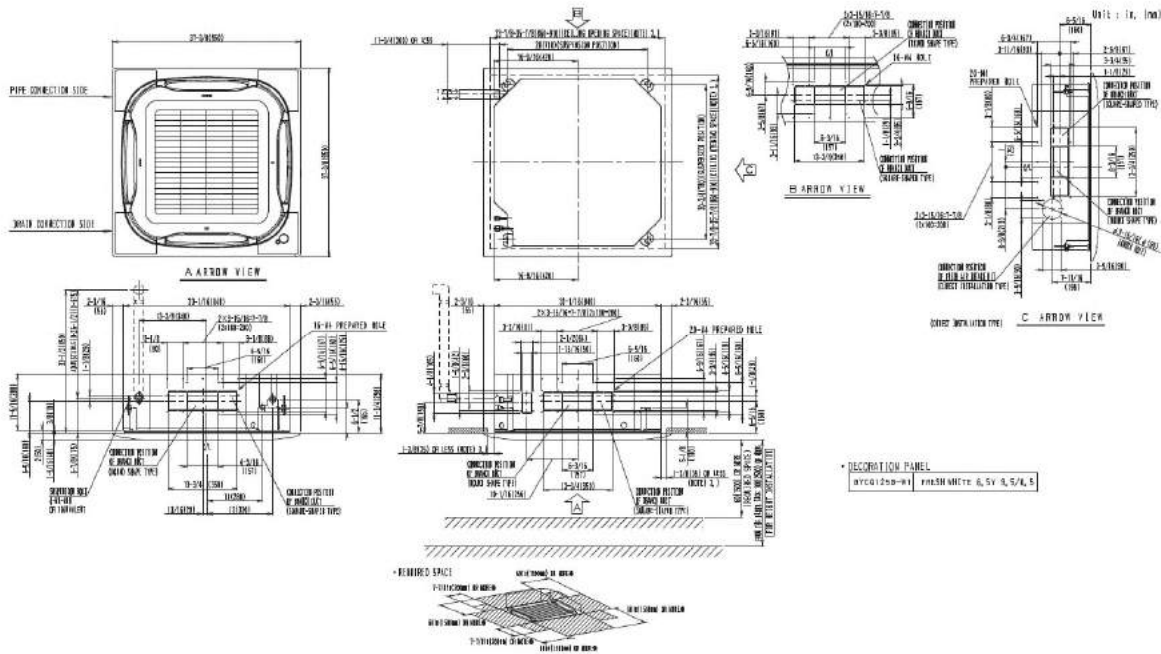


## Submittal Data Sheet

3.5-Ton Roundflow Sensing Cassette Cooling Only  
FCQ42TAVJURZR42TAVJU

### INDOOR UNIT DETAILS

Power Supply (V/Hz/Ph):	208-230 / 60 / 1	Airflow Rate (H/M/L) (CFM):	1218/971/742
Power Supply Connections:	L1, L2, Ground	Moisture Removal (Gal/hr):	
Min. Circuit Amps MCA (A):	1.8	Gas Pipe Connection (inch):	5/8
Max Overcurrent Protection (MOP) (A):	15	Liquid Pipe Connection (inch):	3/8
Dimensions (HxWxD) (in):	11-23/32 x 33-1/16 x 33-1/16	Condensate Connection (inch):	1
Net Weight (lb):	70	Sound Pressure (H/M/L) (dBA):	45/40/35
Ext. Static Pressure (Rated/Max) (inWg):	/	Sound Power Level (dBA):	



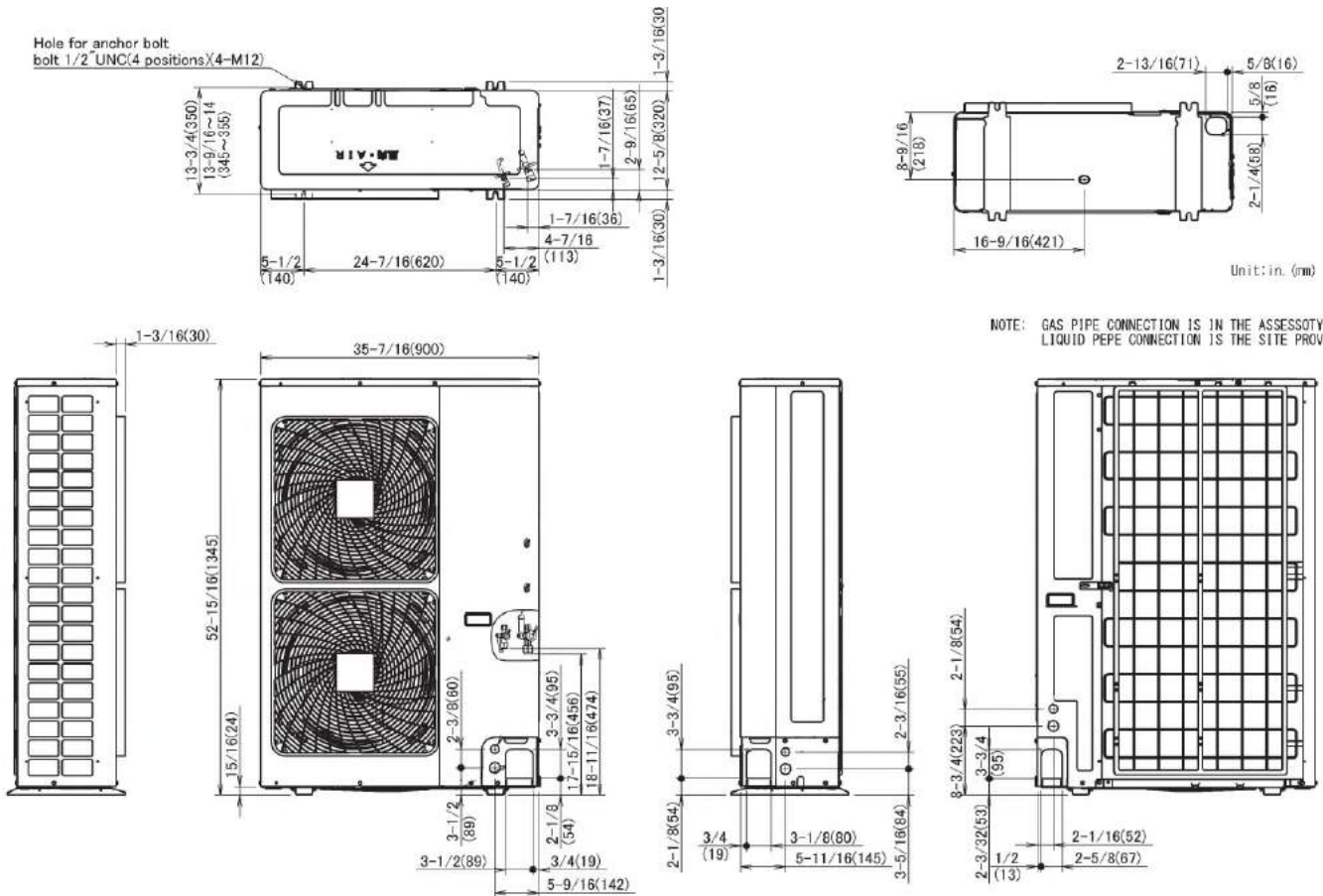


## Submittal Data Sheet

3.5-Ton Roundflow Sensing Cassette Cooling Only  
FCQ42TAVJURZR42TAVJU

### OUTDOOR UNIT DETAILS

Power Supply (V/Hz/Ph):	208-230 / 60 / 1	Compressor Stage:	
Power Supply Connections:	L1, L2, Ground	Capacity Control Range (%):	14-100
Min. Circuit Amps MCA (A):	29.1	Airflow Rate (H) (CFM):	3741
Max Overcurrent Protection (MOP) (A):	35	Gas Pipe Connection (inch):	5/8
Max Starting Current MSC(A):		Liquid Pipe Connection (inch):	3/8
Rated Load Amps RLA(A):		Sound Pressure (H) (dBA):	57
Dimensions (HxWxD) (in):	52-15/16 x 35-7/16 x 12-5/8	Sound Power Level (dBA):	
Net Weight (lb):	225		





**Submittal Data Sheet**

4.0-Ton Roundflow Sensing Cassette Cooling Only  
FCQ48TAVJURZR48TAVJU

**INDOOR UNIT**



**OUTDOOR UNIT**





## Submittal Data Sheet

4.0-Ton Roundflow Sensing Cassette Cooling Only  
FCQ48TAVJURZR48TAVJU

### SYSTEM PERFORMANCE

Indoor Unit Model No.	FCQ48TAVJU	Indoor Unit Name:	Sky-Air Round Flow Sensing Cassette
Outdoor Unit Model No.	RZR48TAVJU	Outdoor Unit Name:	Sky-Air Cooling Only ODU
Rated Cooling Capacity (Btu/hr):	48,000	Rated Cooling Conditions:	Indoor (°F DB/WB): 80 / 67 Ambient (°F DB/WB): 95 / 75
Sensible Capacity (Btu/hr):	35,000	Rated Piping Length(ft):	25
Max/Min Cooling Capacity (Btu/hr):	/	Rated Height Difference (ft):	0.00
Cooling Input Power (kW):			
SEER (Non-Ducted/Ducted):	17.00 /		
EER (Non-Ducted/Ducted):	9.00 /		

### SYSTEM DETAILS

Refrigerant Type:	R-410A	Cooling Operation Range (°F DB):	23 - 122
Holding Refrigerant Charge (lbs):	7.9	Heating Operation Range (°F WB):	-
Additional Charge (lb/ft):	0.04	Max. Pipe Length (Vertical) (ft):	98
Pre-charge Piping (Length) (ft):	15	Cooling Range w/Baffle (°F DB):	0 - 122
Max. Pipe Length (Total) (ft):	230	Heating Range w/Baffle (°F WB):	-
Max Height Separation (Ind to Ind ft):	0		

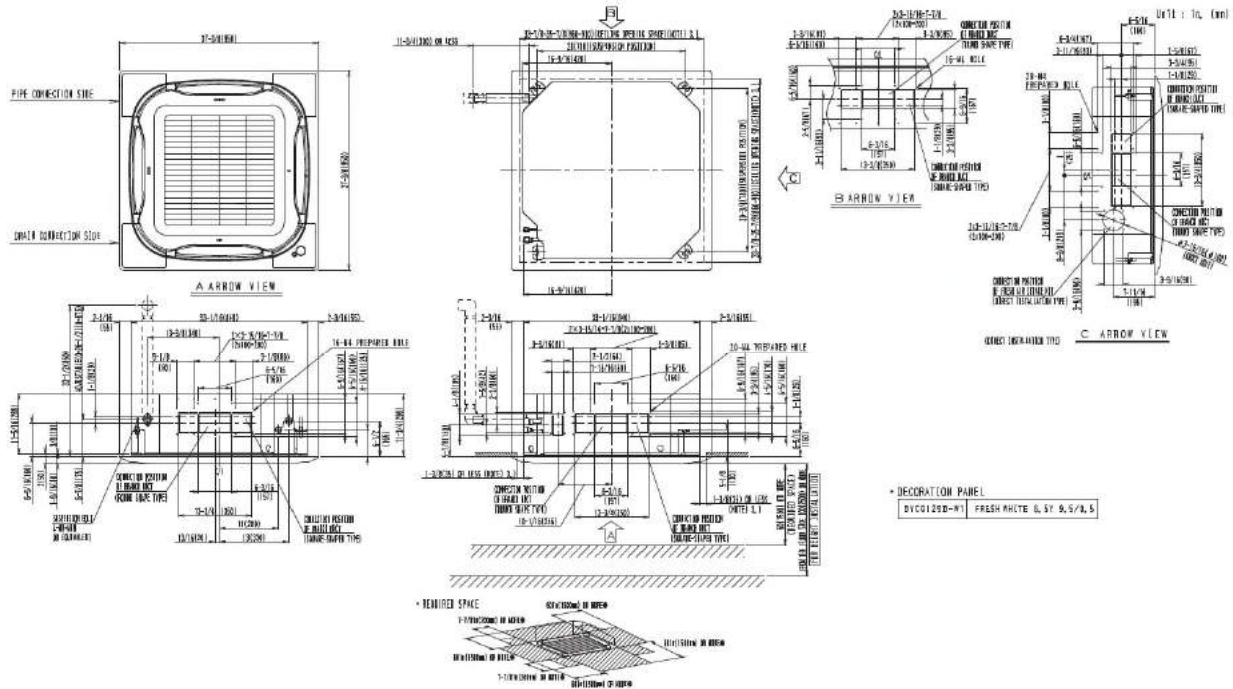


## Submittal Data Sheet

4.0-Ton Roundflow Sensing Cassette Cooling Only  
FCQ48TAVJURZR48TAVJU

### INDOOR UNIT DETAILS

Power Supply (V/Hz/Ph):	208-230 / 60 / 1	Airflow Rate (H/M/L) (CFM):	1218/971/742
Power Supply Connections:	L1, L2, Ground	Moisture Removal (Gal/hr):	
Min. Circuit Amps MCA (A):	1.8	Gas Pipe Connection (inch):	5/8
Max Overcurrent Protection (MOP) (A):	15	Liquid Pipe Connection (inch):	3/8
Dimensions (HxWxD) (in):	11-23/32 x 33-1/16 x 33-1/16	Condensate Connection (inch):	1-1/4
Net Weight (lb):	70	Sound Pressure (H/M/L) (dBA):	45/40/35
Ext. Static Pressure (Rated/Max) (inWg):	/	Sound Power Level (dBA):	



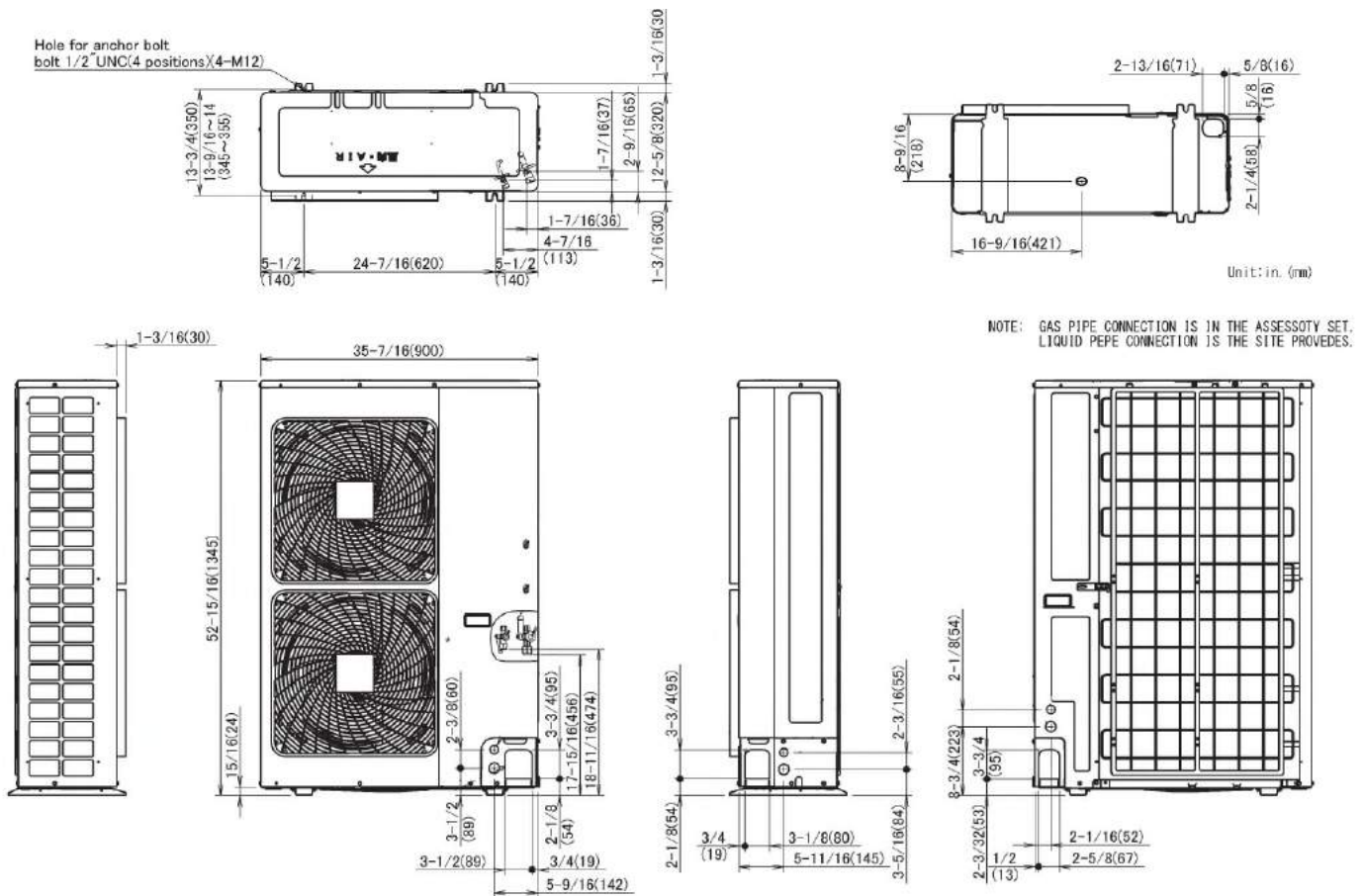


## Submittal Data Sheet

4.0-Ton Roundflow Sensing Cassette Cooling Only  
FCQ48TAVJURZR48TAVJU

### OUTDOOR UNIT DETAILS

Power Supply (V/Hz/Ph):	208-230 / 60 / 1	Compressor Stage:	
Power Supply Connections:	L1, L2, Ground	Capacity Control Range (%):	14-100
Min. Circuit Amps MCA (A):	29.1	Airflow Rate (H) (CFM):	3741
Max Overcurrent Protection (MOP) (A):	35	Gas Pipe Connection (inch):	5/8
Max Starting Current MSC(A):		Liquid Pipe Connection (inch):	3/8
Rated Load Amps RLA(A):		Sound Pressure (H) (dBA):	57
Dimensions (HxWxD) (in):	52-15/16 x 35-7/16 x 12-5/8	Sound Power Level (dBA):	
Net Weight (lb):	225		







## Submittal Data Sheet

1.5-Ton Ceiling Suspended Cooling Only  
FHQ18PVJURZR18TAVJU

### FEATURES

- Auto-swing capability with 100° airflow pattern
- Innovative stream fan technology
- 10 year limited parts and compressor warranty

### BENEFITS

- Lateral servicing space allows installation in corners, narrow space, walls, and ceilings

### INDOOR UNIT



### OUTDOOR UNIT





## Submittal Data Sheet

1.5-Ton Ceiling Suspended Cooling Only  
FHQ18PVJURZR18TAVJU

### SYSTEM PERFORMANCE

Indoor Unit Model No.	FHQ18PVJU	Indoor Unit Name:	Sky-Air Ceiling Suspended
Outdoor Unit Model No.	RZR18TAVJU	Outdoor Unit Name:	Sky-Air 1.5 Ton Cooling Only ODU
Rated Cooling Capacity (Btu/hr):	18,000	Rated Cooling Conditions:	Indoor (°F DB/WB): 80 / 67 Ambient (°F DB/WB): 95 / 75
Sensible Capacity (Btu/hr):	13,300	Rated Piping Length(ft):	25
Max/Min Cooling Capacity (Btu/hr):	/	Rated Height Difference (ft):	0.00
Cooling Input Power (kW):	1.570	Rated Heating Conditions:	Indoor (°F DB/WB): 70 / 60 Ambient (°F DB/WB): 47 / 43
SEER (Non-Ducted/Ducted):	16.30 /		
EER (Non-Ducted/Ducted):	12.90 /		

### SYSTEM DETAILS

Refrigerant Type:	R-410A	Cooling Operation Range (°F DB):	23 - 122
Holding Refrigerant Charge (lbs):	6.4	Heating Operation Range (°F WB):	-
Additional Charge (lb/ft):	0.04	Max. Pipe Length (Vertical) (ft):	98
Pre-charge Piping (Length) (ft):	15	Cooling Range w/Baffle (°F DB):	0 - 122
Max. Pipe Length (Total) (ft):	164	Heating Range w/Baffle (°F WB):	-
Max Height Separation (Ind to Ind ft):	0		

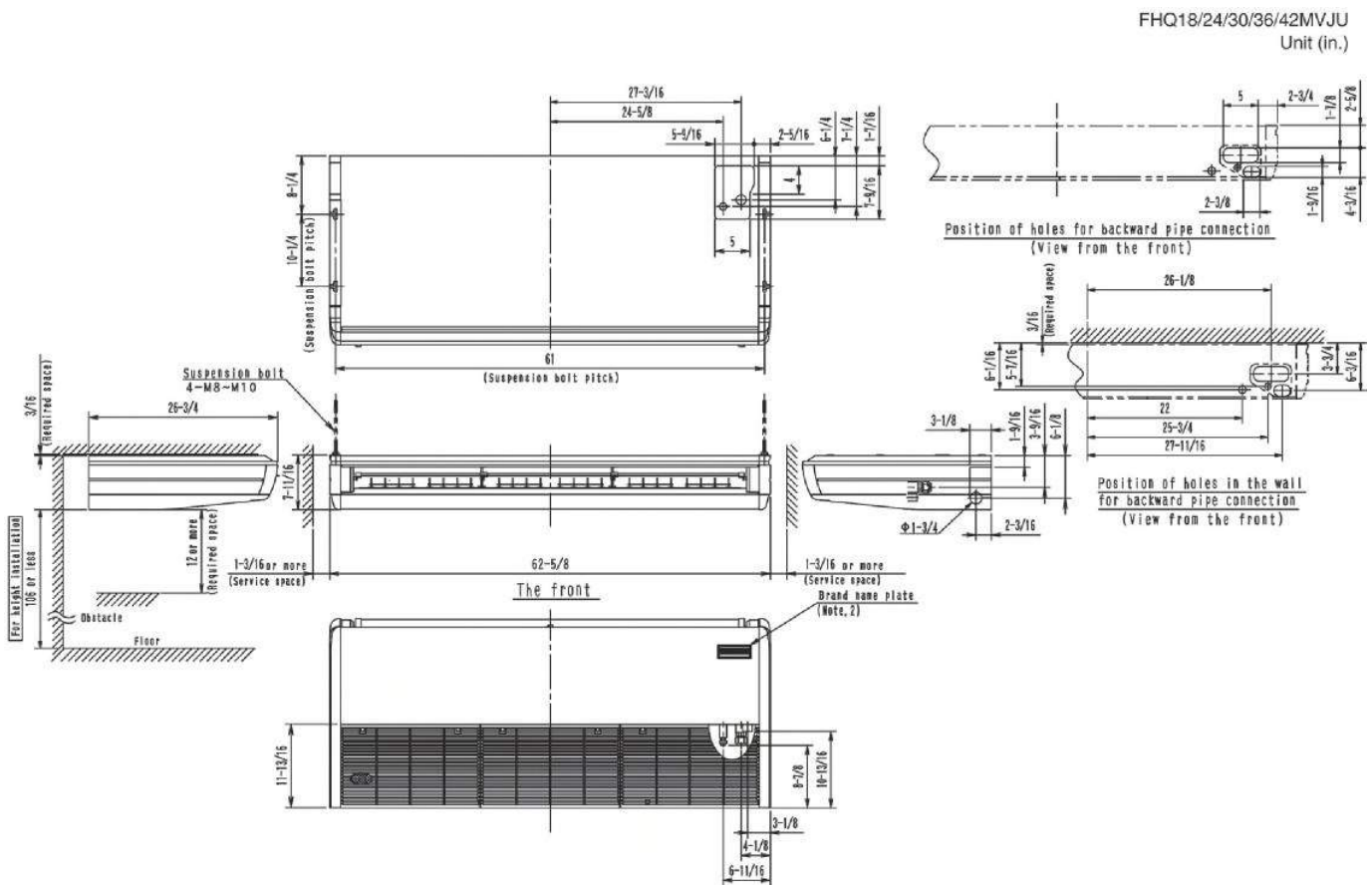


## Submittal Data Sheet

1.5-Ton Ceiling Suspended Cooling Only  
FHQ18PVJURZR18TAVJU

### INDOOR UNIT DETAILS

Power Supply (V/Hz/Ph):	208-230 / 60 / 1	Airflow Rate (H/L) (CFM):	790/670
Power Supply Connections:	L1, L2, Ground	Moisture Removal (Gal/hr):	
Min. Circuit Amps MCA (A):	1.3	Gas Pipe Connection (inch):	5/8
Max Overcurrent Protection (MOP) (A):	15	Liquid Pipe Connection (inch):	3/8
Dimensions (HxWxD) (in):	7-11/16 x 62-5/8 x 26-3/4	Condensate Connection (inch):	1
Net Weight (lb):	90	Sound Pressure (H) (dBA):	45
Ext. Static Pressure (Rated/Max) (inWg):	0 / 0	Sound Power Level (dBA):	



Daikin North America LLC, 5151 San Felipe, Suite 500, Houston, TX, 77056

Daikin City Generated Submittal Data

[www.daikinac.com](http://www.daikinac.com) [www.daikincomfort.com](http://www.daikincomfort.com)

(Daikin's products are subject to continuous improvements. Daikin reserves the right to modify product design, specifications and information in this data sheet without notice and without incurring any obligations)

Submittal Date: 6/3/2019 10:14:47 AM

Page 3 of 4



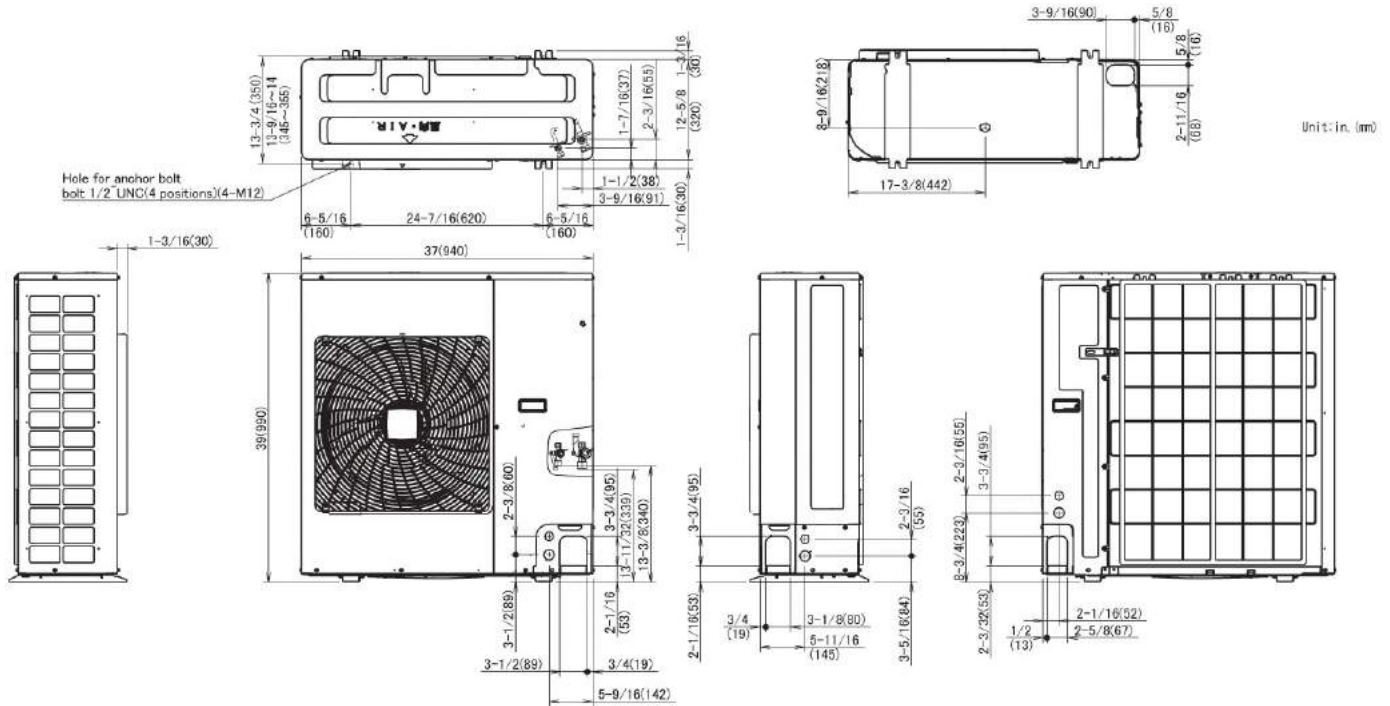
## Submittal Data Sheet

1.5-Ton Ceiling Suspended Cooling Only  
FHQ18PVJURZR18TAVJU

### OUTDOOR UNIT DETAILS

Power Supply (V/Hz/Ph):	208-230 / 60 / 1	Compressor Stage:	
Power Supply Connections:	L1, L2, Ground	Capacity Control Range (%):	14 - 100
Min. Circuit Amps MCA (A):	16.5	Airflow Rate (H) (CFM):	2682
Max Overcurrent Protection (MOP) (A):	25	Gas Pipe Connection (inch):	5/8
Max Starting Current MSC(A):		Liquid Pipe Connection (inch):	3/8
Rated Load Amps RLA(A):	15.3	Sound Pressure (H) (dBA):	58
Dimensions (HxWxD) (in):	39 x 37 x 12-5/8	Sound Power Level (dBA):	
Net Weight (lb):	172		

### DIMENSIONAL DRAWING - OUTDOOR UNIT





## Submittal Data Sheet

2.0-Ton Ceiling Suspended Cooling Only  
FHQ24PVJURZR24TAVJU

### FEATURES

- Auto-swing capability with 100° airflow pattern
- Innovative stream fan technology
- 10 year limited parts and compressor warranty

### BENEFITS

- Lateral servicing space allows installation in corners, narrow space, walls, and ceilings

### INDOOR UNIT



### OUTDOOR UNIT





## Submittal Data Sheet

2.0-Ton Ceiling Suspended Cooling Only  
FHQ24PVJURZR24TAVJU

### SYSTEM PERFORMANCE

Indoor Unit Model No.	FHQ24PVJU	Indoor Unit Name:	Sky-Air Ceiling Suspended
Outdoor Unit Model No.	RZR24TAVJU	Outdoor Unit Name:	Sky-Air 2.0 Ton Cooling Only ODU
Rated Cooling Capacity (Btu/hr):	24,000	Rated Cooling Conditions:	Indoor (°F DB/WB): 80 / 67 Ambient (°F DB/WB): 95 / 75
Sensible Capacity (Btu/hr):	17,100	Rated Piping Length(ft):	25
Max/Min Cooling Capacity (Btu/hr):	/	Rated Height Difference (ft):	0.00
Cooling Input Power (kW):	2.190	Rated Heating Conditions:	Indoor (°F DB/WB): 70 / 60 Ambient (°F DB/WB): 47 / 43
SEER (Non-Ducted/Ducted):	16.60 /		
EER (Non-Ducted/Ducted):	11.30 /		

### SYSTEM DETAILS

Refrigerant Type:	R-410A	Cooling Operation Range (°F DB):	23 - 122
Holding Refrigerant Charge (lbs):	6.4	Heating Operation Range (°F WB):	-
Additional Charge (lb/ft):	0.04	Max. Pipe Length (Vertical) (ft):	98
Pre-charge Piping (Length) (ft):	15	Cooling Range w/Baffle (°F DB):	0 - 122
Max. Pipe Length (Total) (ft):	164	Heating Range w/Baffle (°F WB):	-
Max Height Separation (Ind to Ind ft):	0		



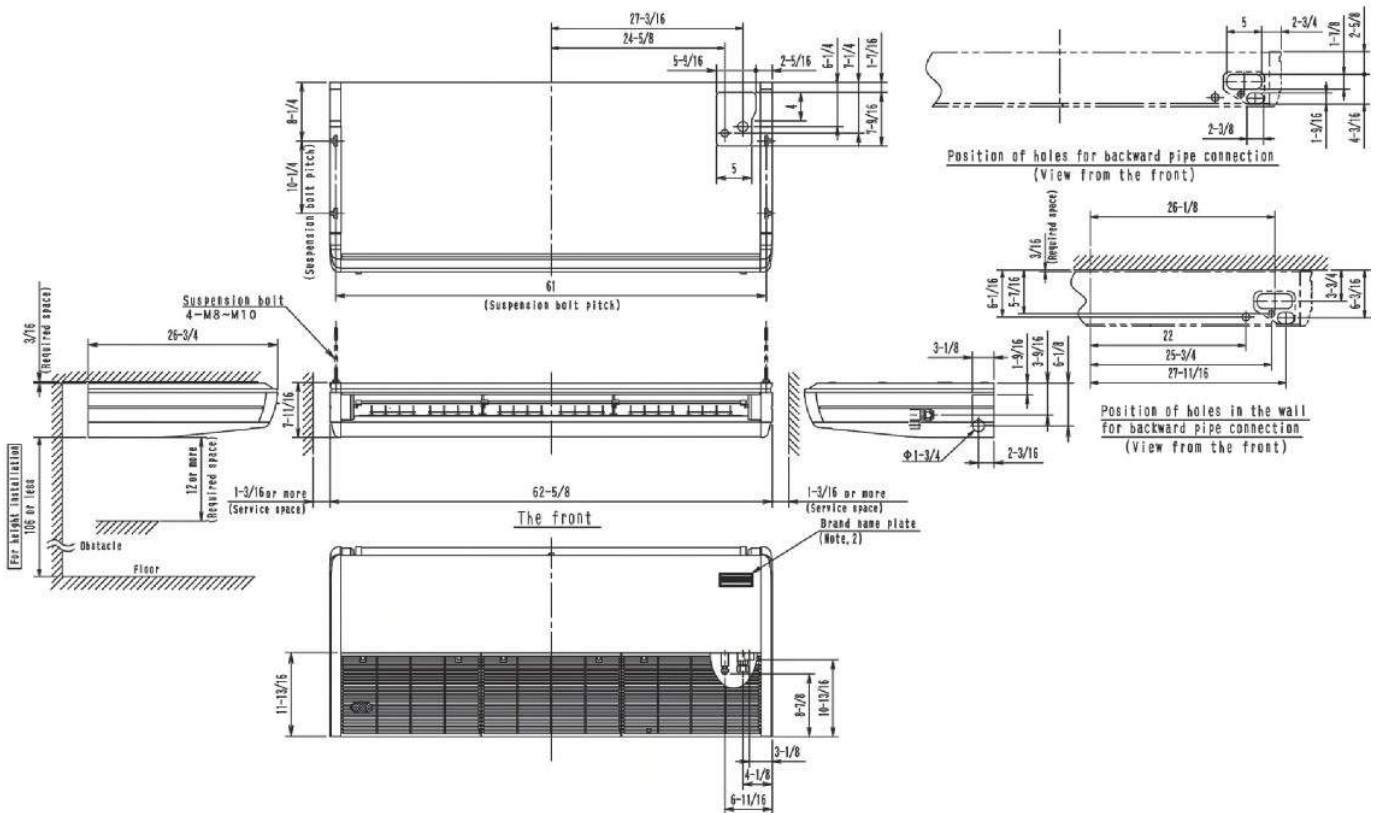
## Submittal Data Sheet

2.0-Ton Ceiling Suspended Cooling Only  
FHQ24PVJURZR24TAVJU

### INDOOR UNIT DETAILS

Power Supply (V/Hz/Ph):	208-230 / 60 / 1	Airflow Rate (H/L) (CFM):	790/670
Power Supply Connections:	L1, L2, Ground	Moisture Removal (Gal/hr):	
Min. Circuit Amps MCA (A):	1.3	Gas Pipe Connection (inch):	5/8
Max Overcurrent Protection (MOP) (A):	15	Liquid Pipe Connection (inch):	3/8
Dimensions (HxWxD) (in):	7-11/16 x 62-5/8 x 26-3/4	Condensate Connection (inch):	1
Net Weight (lb):	90	Sound Pressure (H) (dBA):	45
Ext. Static Pressure (Rated/Max) (inWg):	0 / 0	Sound Power Level (dBA):	

FHQ18/24/30/36/42MVJU  
Unit (in.)



Daikin North America LLC, 5151 San Felipe, Suite 500, Houston, TX, 77056

Daikin City Generated Submittal Data

[www.daikinac.com](http://www.daikinac.com) [www.daikincomfort.com](http://www.daikincomfort.com)

(Daikin's products are subject to continuous improvements. Daikin reserves the right to modify product design, specifications and information in this data sheet without notice and without incurring any obligations)

Submittal Date: 6/3/2019 10:17:37 AM

Page 3 of 4



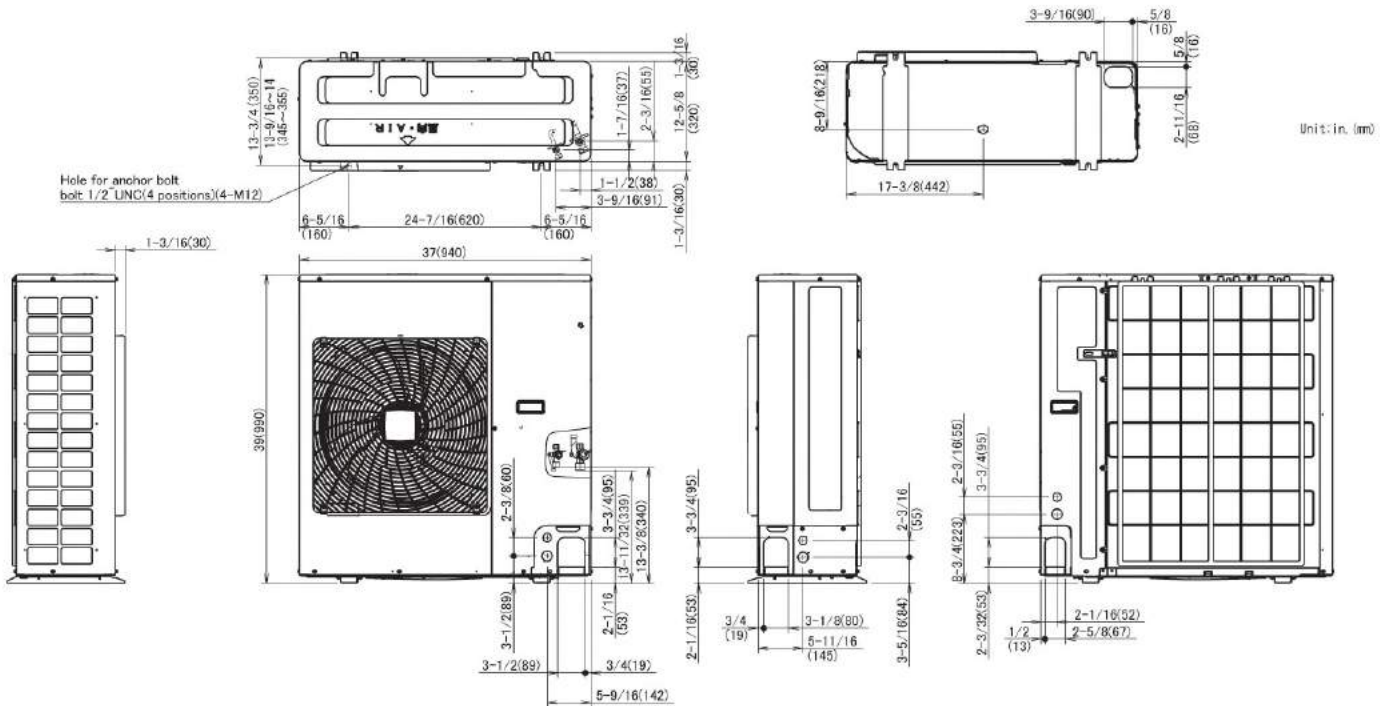
## Submittal Data Sheet

2.0-Ton Ceiling Suspended Cooling Only  
FHQ24PVJURZR24TAVJU

### OUTDOOR UNIT DETAILS

Power Supply (V/Hz/Ph):	208-230 / 60 / 1	Compressor Stage:	
Power Supply Connections:	L1, L2, Ground	Capacity Control Range (%):	14 - 100
Min. Circuit Amps MCA (A):	16.5	Airflow Rate (H) (CFM):	2682
Max Overcurrent Protection (MOP) (A):	25	Gas Pipe Connection (inch):	5/8
Max Starting Current MSC(A):	15.3	Liquid Pipe Connection (inch):	3/8
Rated Load Amps RLA(A):		Sound Pressure (H) (dBA):	58
Dimensions (HxWxD) (in):	39 x 37 x 12-5/8	Sound Power Level (dBA):	
Net Weight (lb):	172		

### DIMENSIONAL DRAWING - OUTDOOR UNIT







## Submittal Data Sheet

2.5-Ton Ceiling Suspended Cooling  
Only FHQ30PVJURZR30TAVJU

### FEATURES

- Auto-swing capability with 100° airflow pattern
- Innovative stream fan technology
- 10 year limited parts and compressor warranty

### BENEFITS

- Lateral servicing space allows installation in corners, narrow space, walls, and ceilings

### INDOOR UNIT



### OUTDOOR UNIT





## Submittal Data Sheet

2.5-Ton Ceiling Suspended Cooling Only  
FHQ30PVJURZR30TAVJU

### SYSTEM PERFORMANCE

Indoor Unit Model No.	FHQ30PVJU	Indoor Unit Name:	Sky-Air Ceiling Suspended
Outdoor Unit Model No.	RZR30TAVJU	Outdoor Unit Name:	Sky-Air 2.5 Ton Cooling Only ODU
Rated Cooling Capacity (Btu/hr):	30,000	Rated Cooling Conditions:	Indoor (°F DB/WB): 80 / 67 Ambient (°F DB/WB): 95 / 75
Sensible Capacity (Btu/hr):	21,100	Rated Piping Length(ft):	25
Max/Min Cooling Capacity (Btu/hr):	/	Rated Height Difference (ft):	0.00
Cooling Input Power (kW):	3.080	Rated Heating Conditions:	Indoor (°F DB/WB): 70 / 60 Ambient (°F DB/WB): 47 / 43
SEER (Non-Ducted/Ducted):	16.00 /		
EER (Non-Ducted/Ducted):	10.50 /		

### SYSTEM DETAILS

Refrigerant Type:	R-410A	Cooling Operation Range (°F DB):	23 - 122
Holding Refrigerant Charge (lbs):	7.9	Heating Operation Range (°F WB):	-
Additional Charge (lb/ft):	0.04	Max. Pipe Length (Vertical) (ft):	98
Pre-charge Piping (Length) (ft):	15	Cooling Range w/Baffle (°F DB):	0 - 122
Max. Pipe Length (Total) (ft):	230	Heating Range w/Baffle (°F WB):	-
Max Height Separation (Ind to Ind ft):	0		



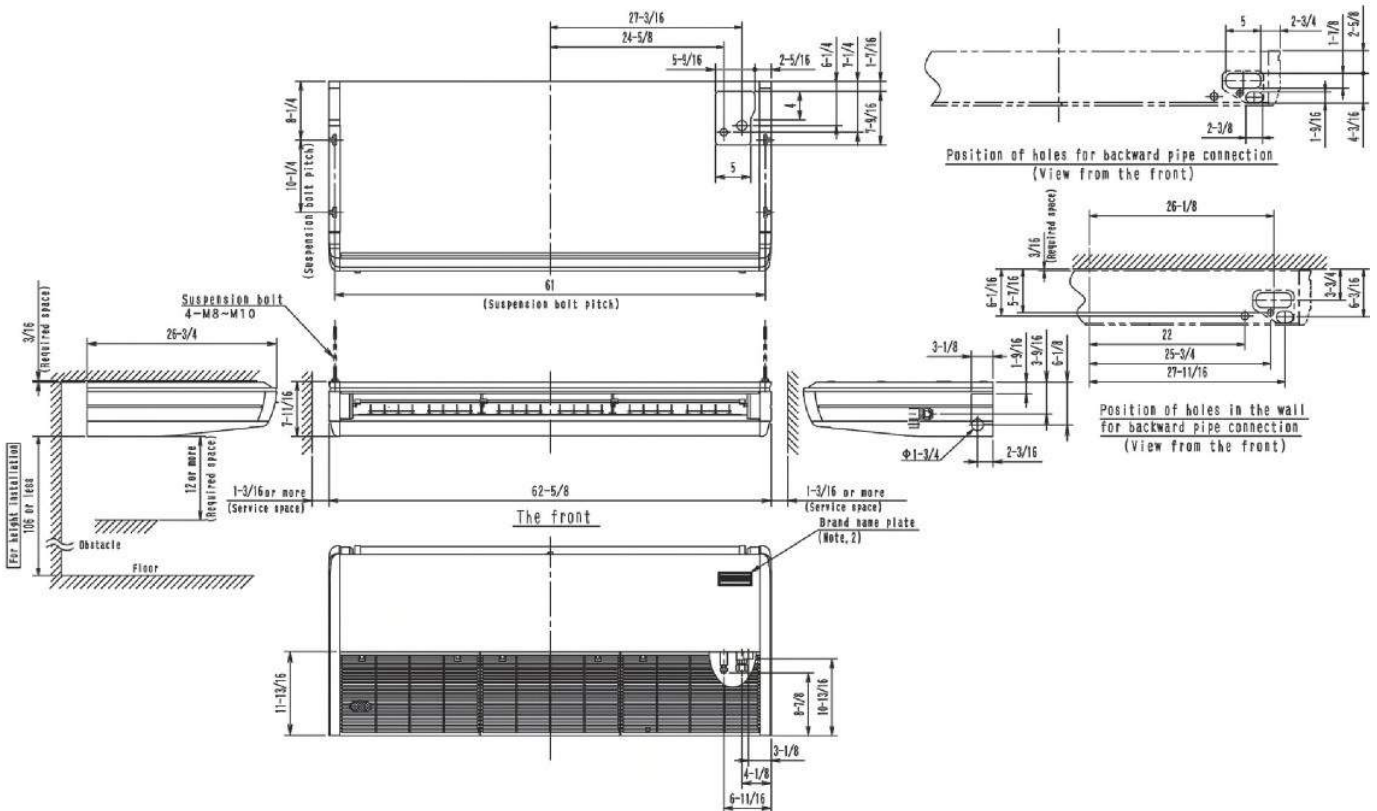
## Submittal Data Sheet

2.5-Ton Ceiling Suspended Cooling Only  
FHQ30PVJURZR30TAVJU

### INDOOR UNIT DETAILS

Power Supply (V/Hz/Ph):	208-230 / 60 / 1	Airflow Rate (H/L) (CFM):	790/670
Power Supply Connections:	L1, L2, Ground	Moisture Removal (Gal/hr):	
Min. Circuit Amps MCA (A):	1.3	Gas Pipe Connection (inch):	5/8
Max Overcurrent Protection (MOP) (A):	15	Liquid Pipe Connection (inch):	3/8
Dimensions (HxWxD) (in):	7-11/16 x 62-5/8 x 26-3/4	Condensate Connection (inch):	1
Net Weight (lb):	90	Sound Pressure (H) (dBA):	45
Ext. Static Pressure (Rated/Max) (inWg):	0 / 0	Sound Power Level (dBA):	

FHQ18/24/30/36/42MVJU  
Unit (in.)



Daikin North America LLC, 5151 San Felipe, Suite 500, Houston, TX, 77056

Daikin City Generated Submittal Data

[www.daikinac.com](http://www.daikinac.com) [www.daikincomfort.com](http://www.daikincomfort.com)

(Daikin's products are subject to continuous improvements. Daikin reserves the right to modify product design, specifications and information in this data sheet without notice and without incurring any obligations)

Submittal Date: 6/3/2019 10:21:46 AM

Page 3 of 4

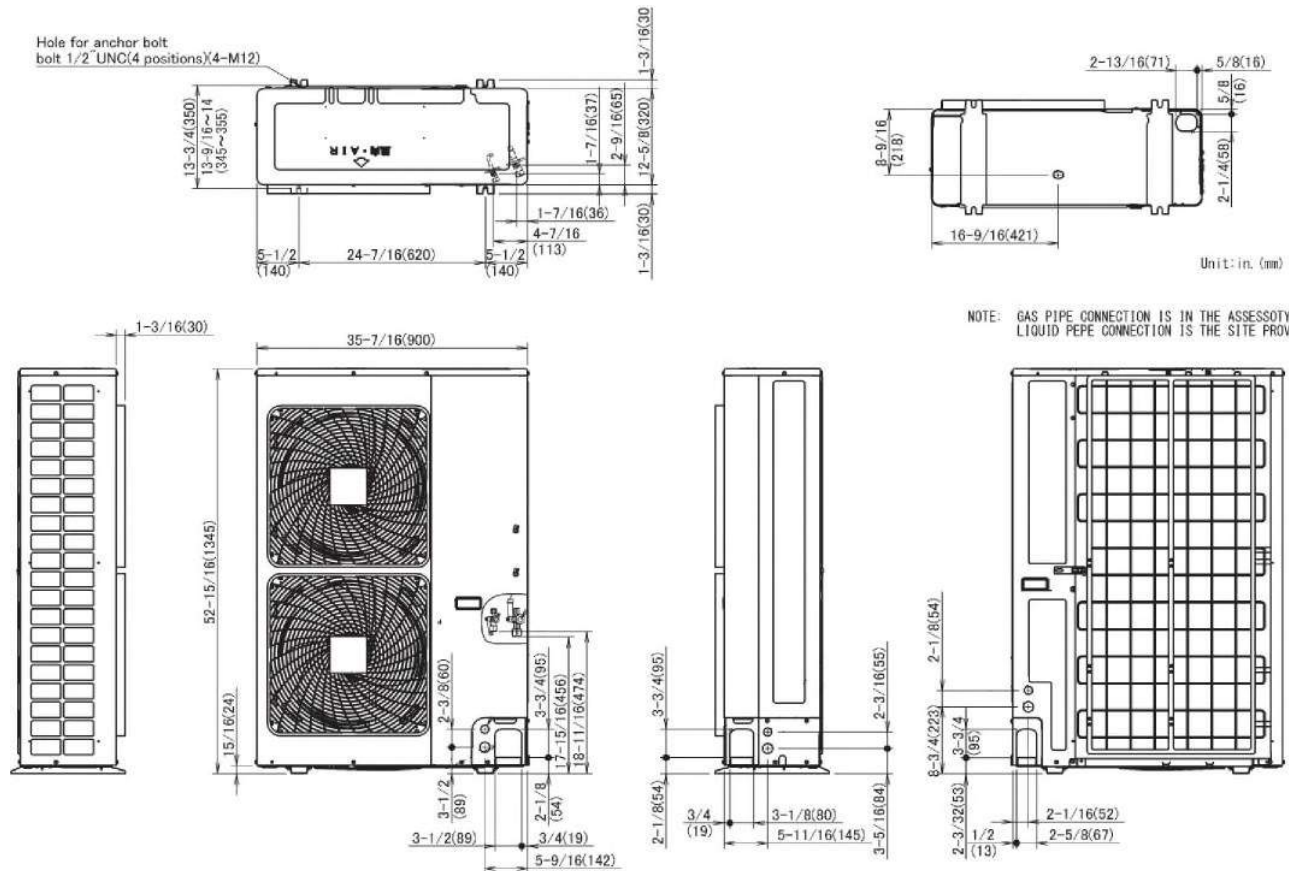


## Submittal Data Sheet

2.5-Ton Ceiling Suspended Cooling Only  
FHQ30PVJURZR30TAVJU

### OUTDOOR UNIT DETAILS

Power Supply (V/Hz/Ph):	208-230 / 60 / 1	Compressor Stage:	
Power Supply Connections:	L1, L2, Ground	Capacity Control Range (%):	14 - 100
Min. Circuit Amps MCA (A):	29.1	Airflow Rate (H) (CFM):	3741
Max Overcurrent Protection (MOP) (A):	35	Gas Pipe Connection (inch):	5/8
Max Starting Current MSC(A):		Liquid Pipe Connection (inch):	3/8
Rated Load Amps RLA(A):	19	Sound Pressure (H) (dBA):	57
Dimensions (HxWxD) (in):	52-15/16 x 35-7/16 x 12-5/8	Sound Power Level (dBA):	
Net Weight (lb):	225		





## Submittal Data Sheet

3.0-Ton Ceiling Suspended Cooling  
Only FHQ36MVJURZR36TAVJU

### FEATURES

- Auto-swing capability with 100° airflow pattern
- Innovative stream fan technology
- 10 year limited parts and compressor warranty

### BENEFITS

- Lateral servicing space allows installation in corners, narrow spaces, walls, and ceilings

### INDOOR UNIT



### OUTDOOR UNIT





## Submittal Data Sheet

3.0-Ton Ceiling Suspended Cooling Only  
FHQ36MVJURZR36TAVJU

### SYSTEM PERFORMANCE

Indoor Unit Model No.	FHQ36MVJU	Indoor Unit Name:	Sky-Air Ceiling Suspended
Outdoor Unit Model No.	RZR36TAVJU	Outdoor Unit Name:	Sky-Air 3.0 Ton Cooling Only ODU
Rated Cooling Capacity (Btu/hr):	36,000	Rated Cooling Conditions:	Indoor (°F DB/WB): 80 / 67 Ambient (°F DB/WB): 95 / 75
Sensible Capacity (Btu/hr):	25,100	Rated Piping Length(ft):	25
Max/Min Cooling Capacity (Btu/hr):	/	Rated Height Difference (ft):	0.00
Cooling Input Power (kW):	3.760	Rated Heating Conditions:	Indoor (°F DB/WB): 70 / 60 Ambient (°F DB/WB): 47 / 43
SEER (Non-Ducted/Ducted):	14.00 /		
EER (Non-Ducted/Ducted):	9.50 /		

### SYSTEM DETAILS

Refrigerant Type:	R-410A	Cooling Operation Range (°F DB):	23 - 122
Holding Refrigerant Charge (lbs):	7.9	Heating Operation Range (°F WB):	-
Additional Charge (lb/ft):	0.04	Max. Pipe Length (Vertical) (ft):	98
Pre-charge Piping (Length) (ft):	15	Cooling Range w/Baffle (°F DB):	0 - 122
Max. Pipe Length (Total) (ft):	230	Heating Range w/Baffle (°F WB):	-
Max Height Separation (Ind to Ind ft):	0		



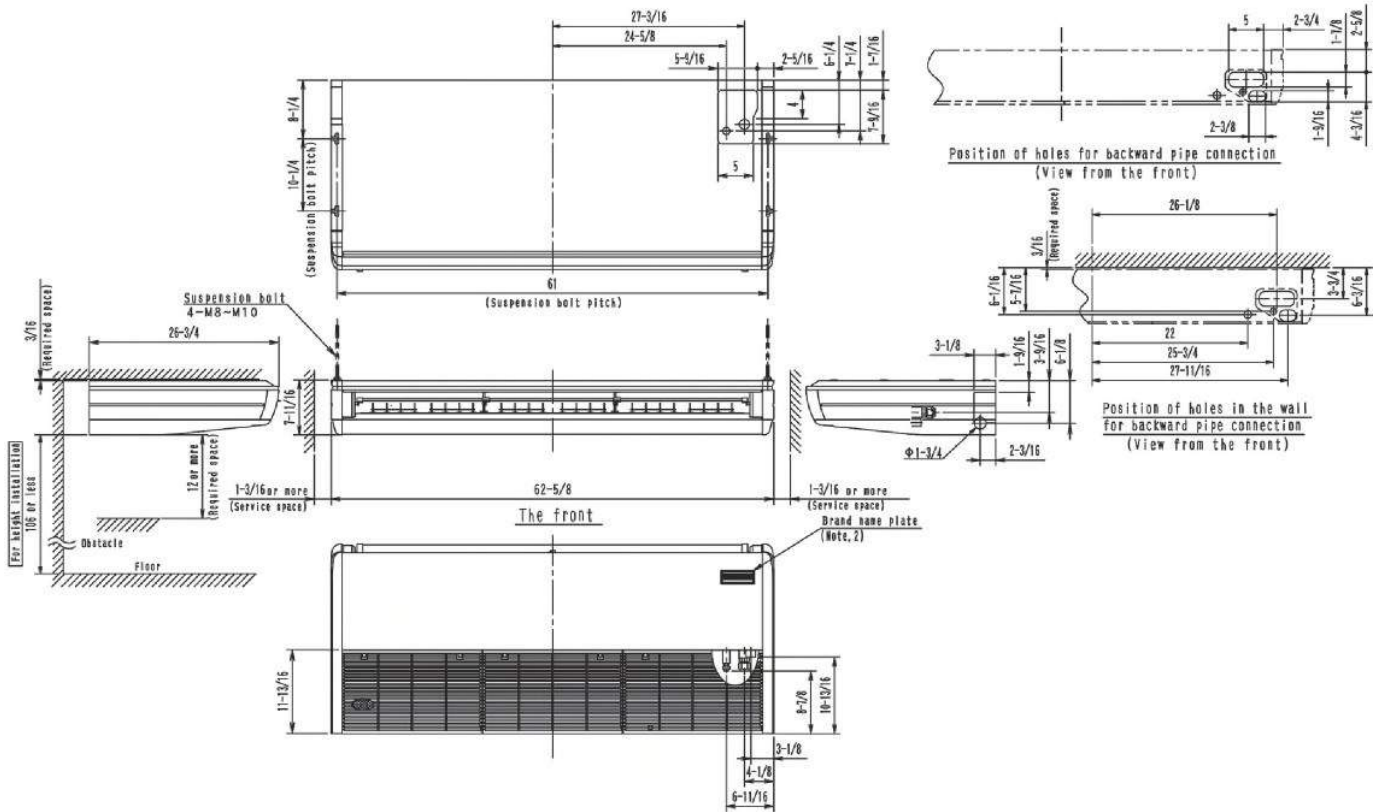
## Submittal Data Sheet

3.0-Ton Ceiling Suspended Cooling Only  
FHQ36MVJURZR36TAVJU

### INDOOR UNIT DETAILS

Power Supply (V/Hz/Ph):	208-230 / 60 / 1	Airflow Rate (H/L) (CFM):	830/670
Power Supply Connections:	L1, L2, Ground	Moisture Removal (Gal/hr):	
Min. Circuit Amps MCA (A):	1.4	Gas Pipe Connection (inch):	5/8
Max Overcurrent Protection (MOP) (A):	15	Liquid Pipe Connection (inch):	3/8
Dimensions (HxWxD) (in):	7-11/16 x 62-5/8 x 26-3/4	Condensate Connection (inch):	1
Net Weight (lb):	90	Sound Pressure (H) (dBA):	46
Ext. Static Pressure (Rated/Max) (inWg):	0 / 0	Sound Power Level (dBA):	

FHQ18/24/30/36/42MVJU  
Unit (in.)



Daikin North America LLC, 5151 San Felipe, Suite 500, Houston, TX, 77056

Daikin City Generated Submittal Data

[www.daikinac.com](http://www.daikinac.com) [www.daikincomfort.com](http://www.daikincomfort.com)

(Daikin's products are subject to continuous improvements. Daikin reserves the right to modify product design, specifications and information in this data sheet without notice and without incurring any obligations)

Submittal Date: 6/5/2019 8:33:58 AM

Page 3 of 4

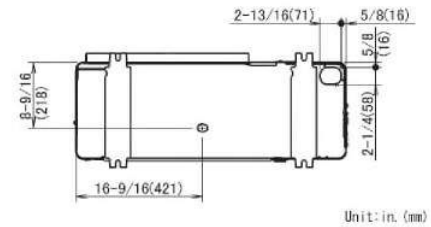
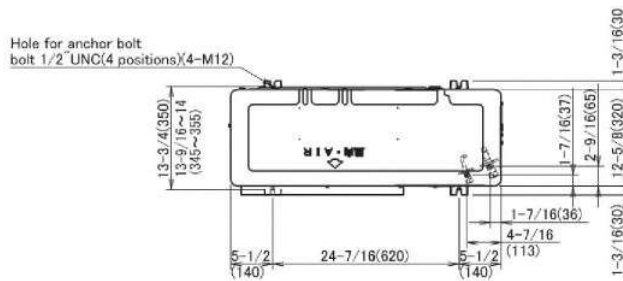


## Submittal Data Sheet

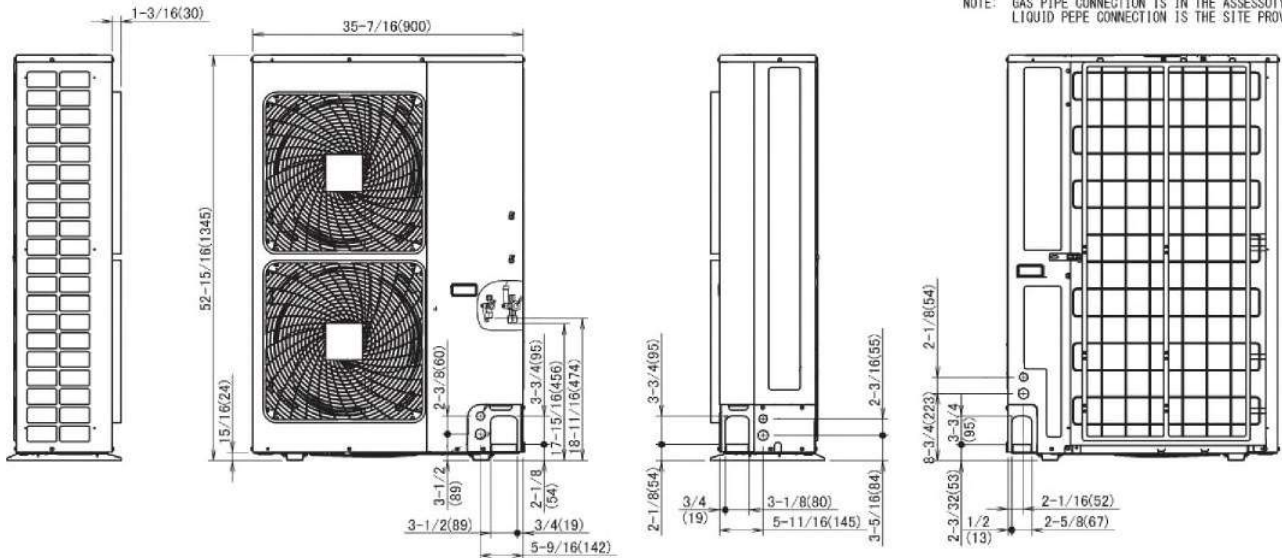
3.0-Ton Ceiling Suspended Cooling Only  
FHQ36MVJURZR36TAVJU

### OUTDOOR UNIT DETAILS

Power Supply (V/Hz/Ph):	208-230 / 60 / 1	Compressor Stage:	
Power Supply Connections:	L1, L2, Ground	Capacity Control Range (%):	14 - 100
Min. Circuit Amps MCA (A):	29.1	Airflow Rate (H) (CFM):	3741
Max Overcurrent Protection (MOP) (A):	35	Gas Pipe Connection (inch):	5/8
Max Starting Current MSC(A):		Liquid Pipe Connection (inch):	3/8
Rated Load Amps RLA(A):	19	Sound Pressure (H) (dBA):	57
Dimensions (HxWxD) (in):	52-15/16 x 35-7/16 x 12-5/8	Sound Power Level (dBA):	
Net Weight (lb):	225		



NOTE: GAS PIPE CONNECTION IS IN THE ASSESSOTY SET.  
LIQUID PEPE CONNECTION IS THE SITE PROVIDES.



Daikin North America LLC, 5151 San Felipe, Suite 500, Houston, TX, 77056

Daikin City Generated Submittal Data

[www.daikinac.com](http://www.daikinac.com) [www.daikincomfort.com](http://www.daikincomfort.com)

(Daikin's products are subject to continuous improvements. Daikin reserves the right to modify product design, specifications and information in this data sheet without notice and without incurring any obligations)

Submittal Date: 6/5/2019 8:33:58 AM

Page 4 of 4





## Submittal Data Sheet

3.5-Ton Ceiling Suspended Cooling Only  
FHQ42MVJURZR42TAVJU

### FEATURES

- Auto-swing capability with 100° airflow pattern
- Innovative stream fan technology
- 10 year limited parts and compressor warranty

### BENEFITS

- Lateral servicing space allows installation in corners, narrow spaces, walls, and ceilings

### INDOOR UNIT



### OUTDOOR UNIT





## Submittal Data Sheet

3.5-Ton Ceiling Suspended Cooling Only  
FHQ42MVJURZR42TAVJU

### SYSTEM PERFORMANCE

Indoor Unit Model No.	FHQ42MVJU	Indoor Unit Name:	Sky-Air Ceiling Suspended
Outdoor Unit Model No.	RZR42TAVJU	Outdoor Unit Name:	Sky-Air 3.5 Ton Cooling Only ODU
Rated Cooling Capacity (Btu/hr):	40,500	Rated Cooling Conditions:	Indoor (°F DB/WB): 80 / 67 Ambient (°F DB/WB): 95 / 75
Sensible Capacity (Btu/hr):	28,200	Rated Piping Length(ft):	25
Max/Min Cooling Capacity (Btu/hr):	/	Rated Height Difference (ft):	0.00
Cooling Input Power (kW):	4.470	Rated Heating Conditions:	Indoor (°F DB/WB): 70 / 60 Ambient (°F DB/WB): 47 / 43
SEER (Non-Ducted/Ducted):	14.00 /		
EER (Non-Ducted/Ducted):	8.80 /		

### SYSTEM DETAILS

Refrigerant Type:	R-410A	Cooling Operation Range (°F DB):	23 - 122
Holding Refrigerant Charge (lbs):	7.9	Heating Operation Range (°F WB):	0 - 77
Additional Charge (lb/ft):	0.04	Max. Pipe Length (Vertical) (ft):	98
Pre-charge Piping (Length) (ft):	15	Cooling Range w/Baffle (°F DB):	0 - 122
Max. Pipe Length (Total) (ft):	230	Heating Range w/Baffle (°F WB):	-
Max Height Separation (Ind to Ind ft):	0		



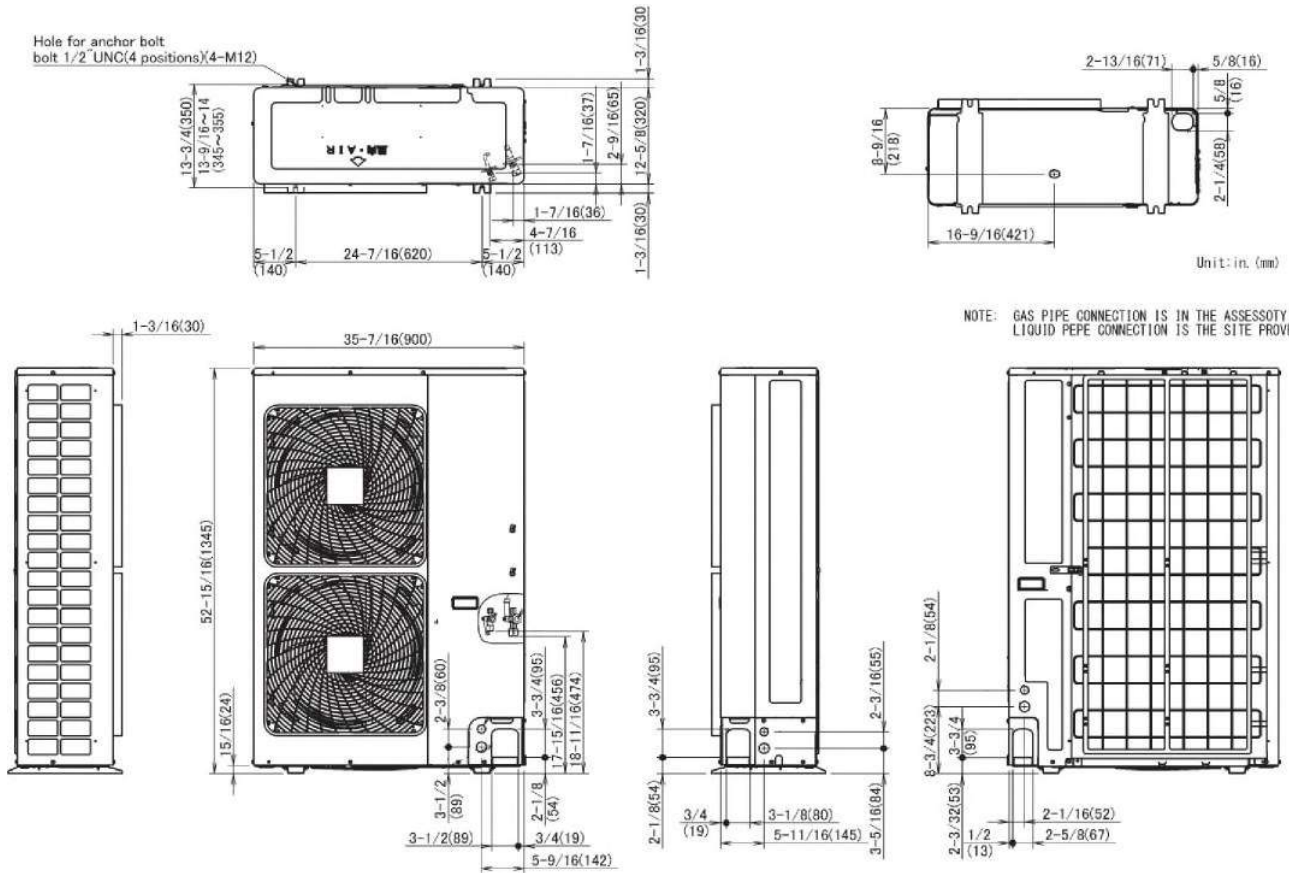


## Submittal Data Sheet

3.5-Ton Ceiling Suspended Cooling Only  
FHQ42MVJURZR42TAVJU

### OUTDOOR UNIT DETAILS

Power Supply (V/Hz/Ph):	208-230 / 60 / 1	Compressor Stage:	
Power Supply Connections:	L1, L2, Ground	Capacity Control Range (%):	14 - 100
Min. Circuit Amps MCA (A):	29.1	Airflow Rate (H) (CFM):	3741
Max Overcurrent Protection (MOP) (A):	35	Gas Pipe Connection (inch):	5/8
Max Starting Current MSC(A):		Liquid Pipe Connection (inch):	3/8
Rated Load Amps RLA(A):	19	Sound Pressure (H) (dBA):	57
Dimensions (HxWxD) (in):	52-15/16 x 35-7/16 x 12-5/8	Sound Power Level (dBA):	
Net Weight (lb):	225		





## Submittal Data Sheet

1.5-Ton Multi-Position Air Handler Cooling Only  
FTQ18TAVJUDRZR18TAVJU

### FEATURES

- Designed for zero clearance on three sides and only 24" clearance on the front for service
- Horizontal left, Horizontal right, Upflow & Downflow installation configurations

### INDOOR UNIT



### OUTDOOR UNIT





## Submittal Data Sheet

1.5-Ton Multi-Position Air Handler Cooling Only  
FTQ18TAVJUDRZR18TAVJU

### SYSTEM PERFORMANCE

Indoor Unit Model No.	FTQ18TAVJUD	Indoor Unit Name:	air handler
Outdoor Unit Model No.	RZR18TAVJU	Outdoor Unit Name:	Sky-Air Cooling Only ODU
Rated Cooling Capacity (Btu/hr):	18,000	Rated Cooling Conditions:	Indoor (°F DB/WB): 80 / 67 Ambient (°F DB/WB): 95 / 75
Sensible Capacity (Btu/hr):	16,100	Rated Piping Length(ft):	25
Max/Min Cooling Capacity (Btu/hr):	/	Rated Height Difference (ft):	0.00
Cooling Input Power (kW):			
SEER (Non-Ducted/Ducted):	/ 15.50		
EER (Non-Ducted/Ducted):	/ 12.50		
Heating Input Power (kW):	0.22		

### SYSTEM DETAILS

Refrigerant Type:	R-410A	Cooling Operation Range (°F DB):	23 - 122
Holding Refrigerant Charge (lbs):	6.4	Heating Operation Range (°F WB):	-
Additional Charge (lb/ft):	0.04	Max. Pipe Length (Vertical) (ft):	98
Pre-charge Piping (Length) (ft):	15	Cooling Range w/Baffle (°F DB):	0 - 122
Max. Pipe Length (Total) (ft):	164	Heating Range w/Baffle (°F WB):	-
Max Height Separation (Ind to Ind ft):	0		





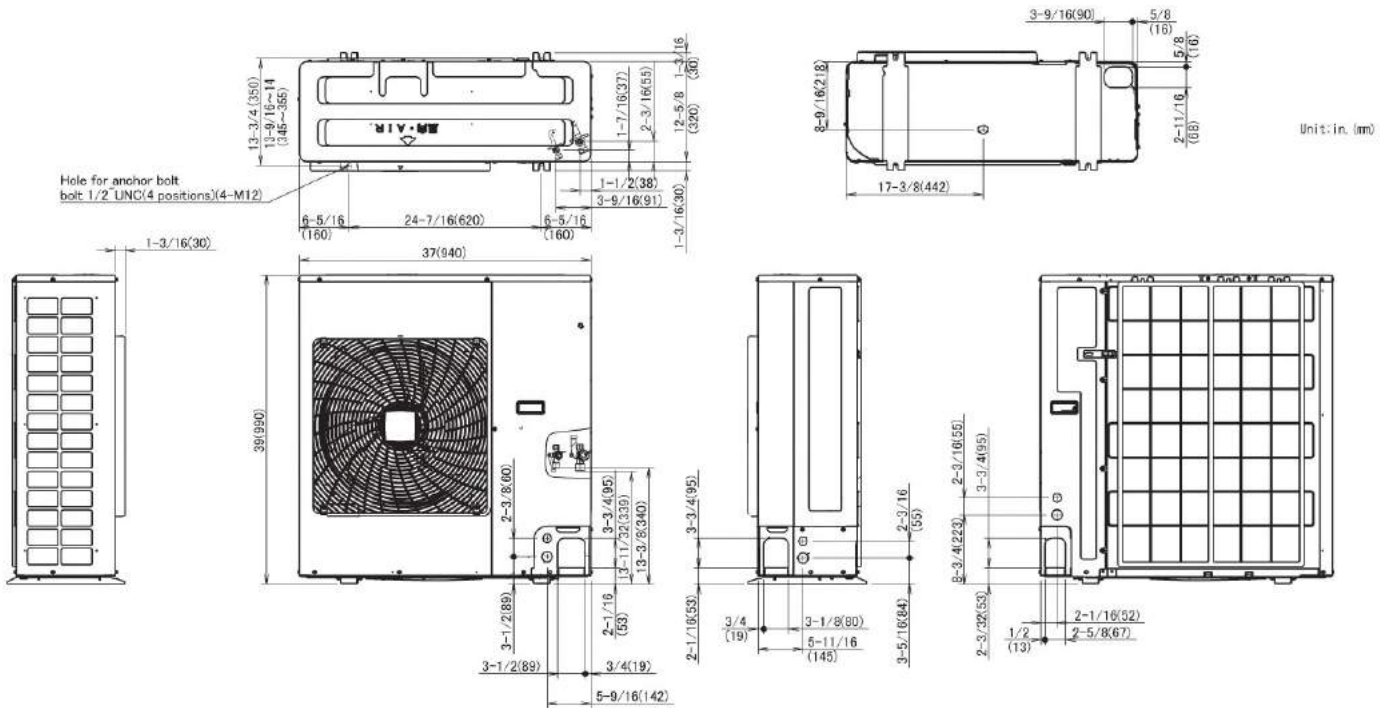
## Submittal Data Sheet

1.5-Ton Multi-Position Air Handler Cooling Only  
FTQ18TAVJUDRZR18TAVJU

### OUTDOOR UNIT DETAILS

Power Supply (V/Hz/Ph):	208-230 / 60 / 1	Compressor Stage:	
Power Supply Connections:	L1, L2, Ground	Capacity Control Range (%):	14 - 100
Min. Circuit Amps MCA (A):	16.5	Airflow Rate (H) (CFM):	2682
Max Overcurrent Protection (MOP) (A):	25	Gas Pipe Connection (inch):	5/8
Max Starting Current MSC(A):		Liquid Pipe Connection (inch):	3/8
Rated Load Amps RLA(A):		Sound Pressure (H) (dBA):	58
Dimensions (HxWxD) (in):	39 x 37 x 12-5/8	Sound Power Level (dBA):	
Net Weight (lb):	172		

### DIMENSIONAL DRAWING - OUTDOOR UNIT



Daikin North America LLC, 5151 San Felipe, Suite 500, Houston, TX, 77056

Daikin City Generated Submittal Data

[www.daikinac.com](http://www.daikinac.com) [www.daikincomfort.com](http://www.daikincomfort.com)

(Daikin's products are subject to continuous improvements. Daikin reserves the right to modify product design, specifications and information in this data sheet without notice and without incurring any obligations)

Submittal Date: 6/3/2019 11:08:00 AM

Page 4 of 4





## Submittal Data Sheet

2.0-Ton Multi-Position Air Handler Cooling Only  
FTQ24TAVJDURZR24TAVJU

### FEATURES

- Designed for zero clearance on three sides and only 24" clearance on the front for service
- Horizontal left, Horizontal right, Upflow & Downflow installation configurations

### INDOOR UNIT



### OUTDOOR UNIT





## Submittal Data Sheet

2.0-Ton Multi-Position Air Handler Cooling Only  
FTQ24TAVJDURZR24TAVJU

### SYSTEM PERFORMANCE

Indoor Unit Model No.	FTQ24TAVJUD	Indoor Unit Name:	air handler
Outdoor Unit Model No.	RZR24TAVJU	Outdoor Unit Name:	Sky-Air 2.0 Ton Cooling Only ODU
Rated Cooling Capacity (Btu/hr):	24,000	Rated Cooling Conditions:	Indoor (°F DB/WB): 80 / 67 Ambient (°F DB/WB): 95 / 75
Sensible Capacity (Btu/hr):	19,900	Rated Piping Length(ft):	25
Max/Min Cooling Capacity (Btu/hr):	/	Rated Height Difference (ft):	0.00
Cooling Input Power (kW):			
SEER (Non-Ducted/Ducted):	/ 15.20		
EER (Non-Ducted/Ducted):	/ 10.30		
Heating Input Power (kW):	0.27		

### SYSTEM DETAILS

Refrigerant Type:	R-410A	Cooling Operation Range (°F DB):	23 - 122
Holding Refrigerant Charge (lbs):	6.4	Heating Operation Range (°F WB):	-
Additional Charge (lb/ft):	0.04	Max. Pipe Length (Vertical) (ft):	98
Pre-charge Piping (Length) (ft):	15	Cooling Range w/Baffle (°F DB):	0 - 122
Max. Pipe Length (Total) (ft):	164	Heating Range w/Baffle (°F WB):	-
Max Height Separation (Ind to Ind ft):	0		



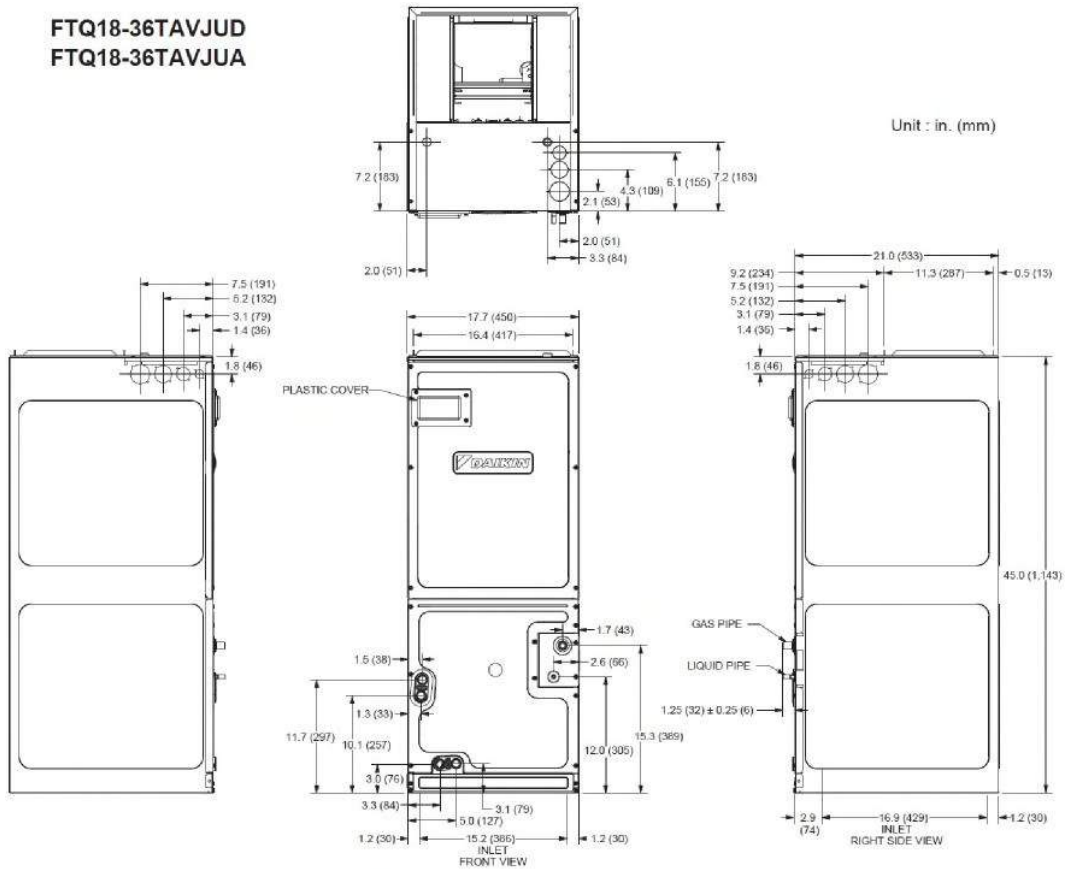
## Submittal Data Sheet

2.0-Ton Multi-Position Air Handler Cooling Only  
 FTQ24TAVJDURZR24TAVJU

### INDOOR UNIT DETAILS

Power Supply (V/Hz/Ph):	208/230 / 60 / 1	Airflow Rate (H) (CFM):	800
Power Supply Connections:	L1, L2, Ground	Moisture Removal (Gal/hr):	
Min. Circuit Amps MCA (A):	4.9	Gas Pipe Connection (inch):	5/8
Max Overcurrent Protection (MOP) (A):	15	Liquid Pipe Connection (inch):	3/8
Dimensions (HxWxD) (in):	45 x 17.5 x 21	Condensate Connection (inch):	3/4
Net Weight (lb):	115	Sound Pressure (H/M/L) (dBA):	45 / 41 / 38
Ext. Static Pressure (Rated/Max) (inWg):	/ 0.9	Sound Power Level (dBA):	

### DIMENSIONAL DRAWING - INDOOR UNIT





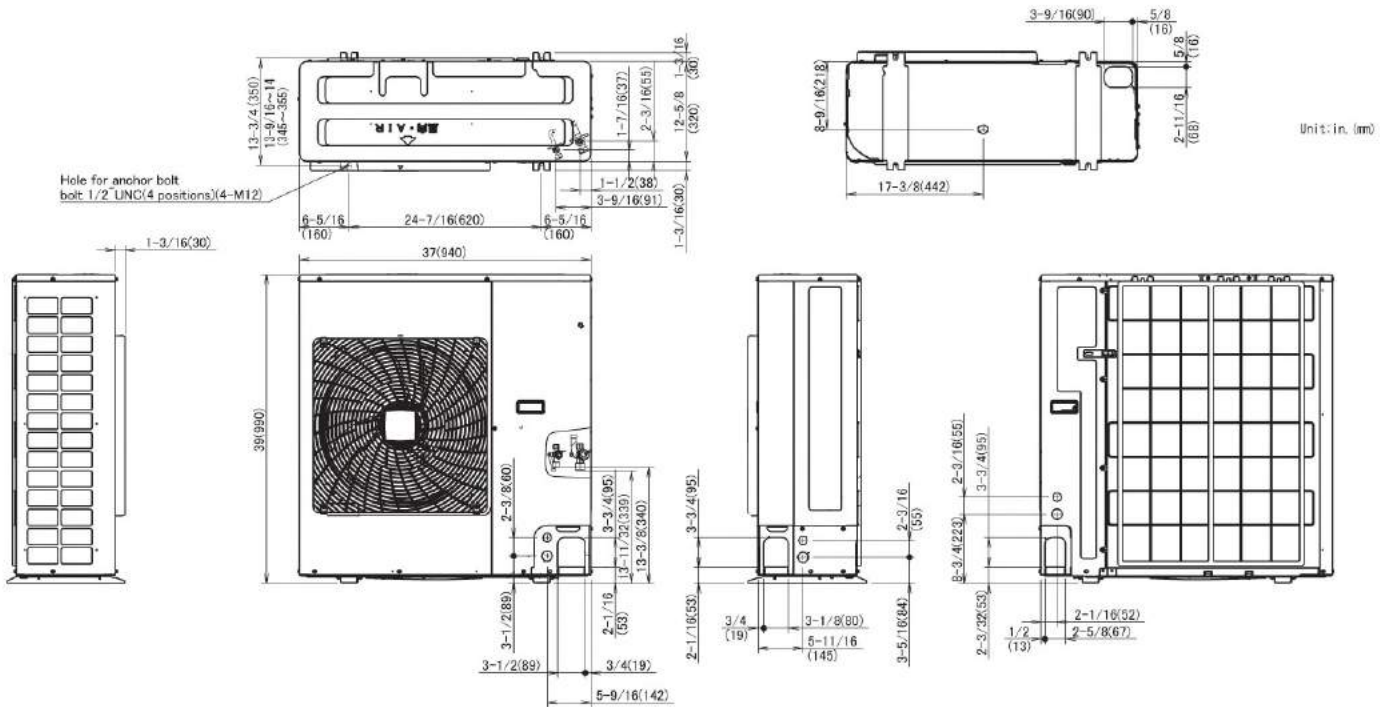
## Submittal Data Sheet

2.0-Ton Multi-Position Air Handler Cooling Only  
FTQ24TAVJDURZR24TAVJU

### OUTDOOR UNIT DETAILS

Power Supply (V/Hz/Ph):	208-230 / 60 / 1	Compressor Stage:	
Power Supply Connections:	L1, L2, Ground	Capacity Control Range (%):	14 - 100
Min. Circuit Amps MCA (A):	16.5	Airflow Rate (H) (CFM):	2682
Max Overcurrent Protection (MOP) (A):	25	Gas Pipe Connection (inch):	5/8
Max Starting Current MSC(A):		Liquid Pipe Connection (inch):	3/8
Rated Load Amps RLA(A):		Sound Pressure (H) (dBA):	58
Dimensions (HxWxD) (in):	39 x 37 x 12-5/8	Sound Power Level (dBA):	
Net Weight (lb):	172		

### DIMENSIONAL DRAWING - OUTDOOR UNIT





## Submittal Data Sheet

2.5-Ton Multi-Position Air Handler Cooling Only  
FTQ30TAVJUDRZR30TAVJU

### FEATURES

- Designed for zero clearance on three sides and only 24" clearance on the front for service
- Horizontal left, Horizontal right, Upflow & Downflow installation configurations

### INDOOR UNIT



### OUTDOOR UNIT





## Submittal Data Sheet

2.5-Ton Multi-Position Air Handler Cooling Only  
FTQ30TAVJUDRZR30TAVJU

### SYSTEM PERFORMANCE

Indoor Unit Model No.	FTQ30TAVJUD	Indoor Unit Name:	air handler
Outdoor Unit Model No.	RZR30TAVJU	Outdoor Unit Name:	Sky-Air 2.5 Ton Cooling Only ODU
Rated Cooling Capacity (Btu/hr):	30,000	Rated Cooling Conditions:	Indoor (°F DB/WB): 80 / 67 Ambient (°F DB/WB): 95 / 75
Sensible Capacity (Btu/hr):	22,300	Rated Piping Length(ft):	25
Max/Min Cooling Capacity (Btu/hr):	/	Rated Height Difference (ft):	0.00
Cooling Input Power (kW):			
SEER (Non-Ducted/Ducted):	/ 16.00		
EER (Non-Ducted/Ducted):	/ 12.50		
Heating Input Power (kW):	0.41		

### SYSTEM DETAILS

Refrigerant Type:	R-410A	Cooling Operation Range (°F DB):	23 - 122
Holding Refrigerant Charge (lbs):	7.9	Heating Operation Range (°F WB):	-
Additional Charge (lb/ft):	0.04	Max. Pipe Length (Vertical) (ft):	98
Pre-charge Piping (Length) (ft):	15	Cooling Range w/Baffle (°F DB):	0 - 122
Max. Pipe Length (Total) (ft):	230	Heating Range w/Baffle (°F WB):	-
Max Height Separation (Ind to Ind ft):	0		



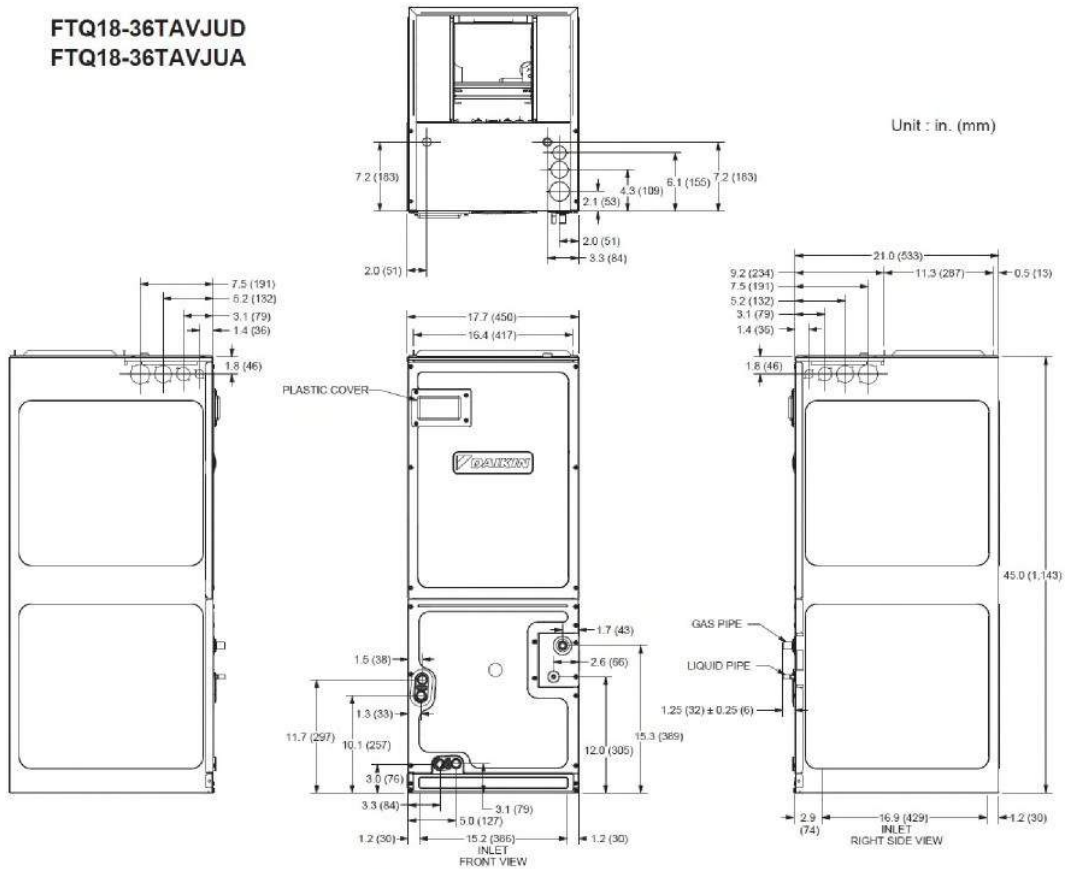
## Submittal Data Sheet

2.5-Ton Multi-Position Air Handler Cooling Only  
FTQ30TAVJUDRZR30TAVJU

### INDOOR UNIT DETAILS

Power Supply (V/Hz/Ph):	208/230 / 60 / 1	Airflow Rate (H) (CFM):	1000
Power Supply Connections:	L1, L2, Ground	Moisture Removal (Gal/hr):	
Min. Circuit Amps MCA (A):	4.9	Gas Pipe Connection (inch):	5/8
Max Overcurrent Protection (MOP) (A):	15	Liquid Pipe Connection (inch):	3/8
Dimensions (HxWxD) (in):	45 x 17.5 x 21	Condensate Connection (inch):	3/4
Net Weight (lb):	115	Sound Pressure (H/M/L) (dBA):	52 / 48 / 44
Ext. Static Pressure (Rated/Max) (inWg):	/ 0.9	Sound Power Level (dBA):	

### DIMENSIONAL DRAWING - INDOOR UNIT



Daikin North America LLC, 5151 San Felipe, Suite 500, Houston, TX, 77056

Daikin City Generated Submittal Data

[www.daikinac.com](http://www.daikinac.com) [www.daikincomfort.com](http://www.daikincomfort.com)

(Daikin's products are subject to continuous improvements. Daikin reserves the right to modify product design, specifications and information in this data sheet without notice and without incurring any obligations)

Submittal Date: 6/3/2019 2:50:17 PM

Page 3 of 4

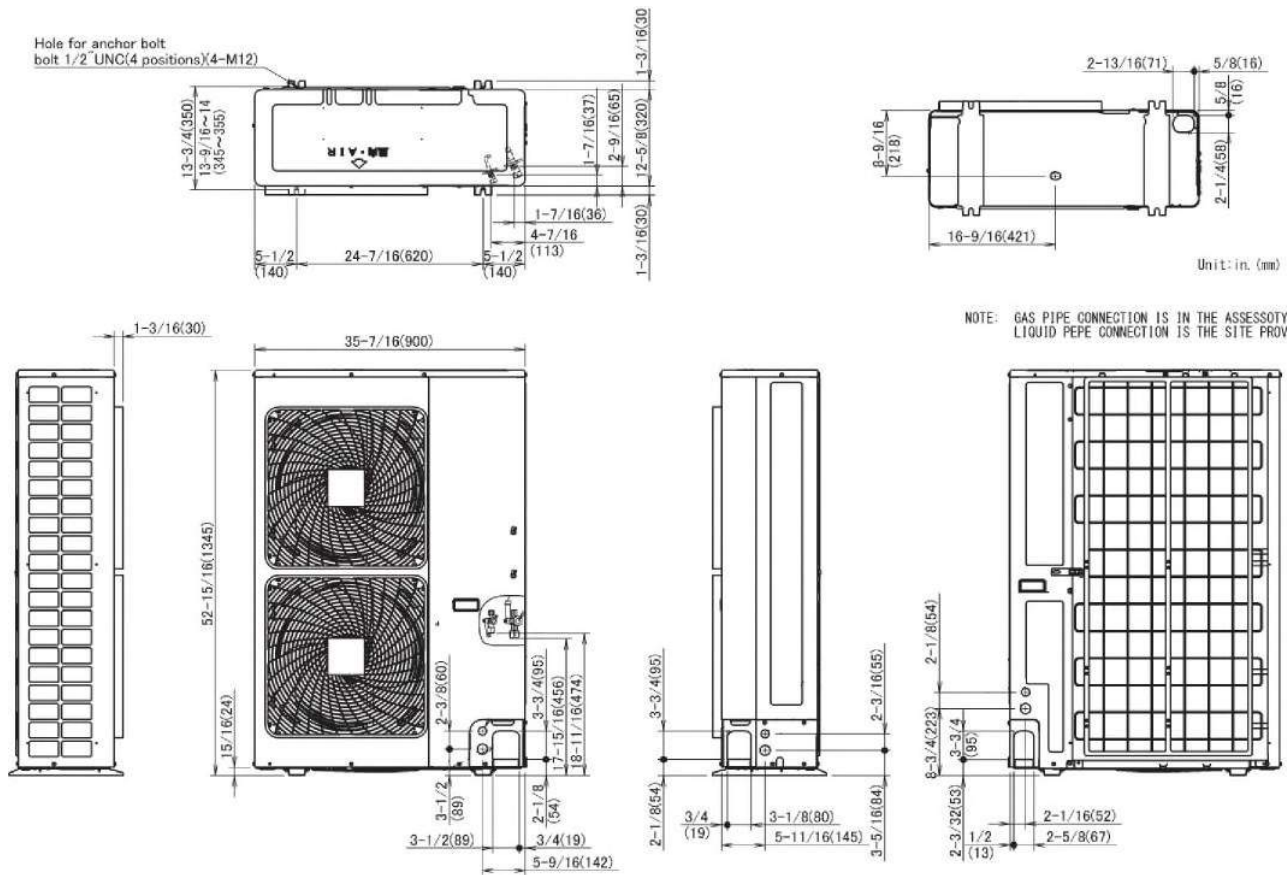


## Submittal Data Sheet

2.5-Ton Multi-Position Air Handler Cooling Only  
FTQ30TAVJUDRZR30TAVJU

### OUTDOOR UNIT DETAILS

Power Supply (V/Hz/Ph):	208-230 / 60 / 1	Compressor Stage:	
Power Supply Connections:	L1, L2, Ground	Capacity Control Range (%):	14 - 100
Min. Circuit Amps MCA (A):	29.1	Airflow Rate (H) (CFM):	3741
Max Overcurrent Protection (MOP) (A):	35	Gas Pipe Connection (inch):	5/8
Max Starting Current MSC(A):		Liquid Pipe Connection (inch):	3/8
Rated Load Amps RLA(A):	19	Sound Pressure (H) (dBA):	57
Dimensions (HxWxD) (in):	52-15/16 x 35-7/16 x 12-5/8	Sound Power Level (dBA):	
Net Weight (lb):	225		







## Submittal Data Sheet

3.0-Ton Multi-Position Air Handler Cooling Only  
FTQ36TAVJUDRZR36TAVJU

### FEATURES

- Designed for zero clearance on three sides and only 24" clearance on the front for service
- Horizontal left, Horizontal rights, Upflow & Downflow installation configurations

### INDOOR UNIT



### OUTDOOR UNIT





## Submittal Data Sheet

3.0-Ton Multi-Position Air Handler Cooling Only

FTQ36TAVJUDRZR36TAVJU

### SYSTEM PERFORMANCE

Indoor Unit Model No.	FTQ36TAVJUD	Indoor Unit Name:	air handler
Outdoor Unit Model No.	RZR36TAVJU	Outdoor Unit Name:	Sky-Air 3.0 Ton Cooling Only ODU
Rated Cooling Capacity (Btu/hr):	36,000	Rated Cooling Conditions:	Indoor (°F DB/WB): 80 / 67 Ambient (°F DB/WB): 95 / 75
Sensible Capacity (Btu/hr):	28,300	Rated Piping Length(ft):	25
Max/Min Cooling Capacity (Btu/hr):	/	Rated Height Difference (ft):	0.00
Cooling Input Power (kW):			
SEER (Non-Ducted/Ducted):	/ 15.30		
EER (Non-Ducted/Ducted):	/ 11.30		
Heating Input Power (kW):	0.44		

### SYSTEM DETAILS

Refrigerant Type:	R-410A	Cooling Operation Range (°F DB):	23 - 122
Holding Refrigerant Charge (lbs):	7.9	Heating Operation Range (°F WB):	-
Additional Charge (lb/ft):	0.04	Max. Pipe Length (Vertical) (ft):	98
Pre-charge Piping (Length) (ft):	15	Cooling Range w/Baffle (°F DB):	-
Max. Pipe Length (Total) (ft):	230	Heating Range w/Baffle (°F WB):	-
Max Height Separation (Ind to Ind ft):	0		



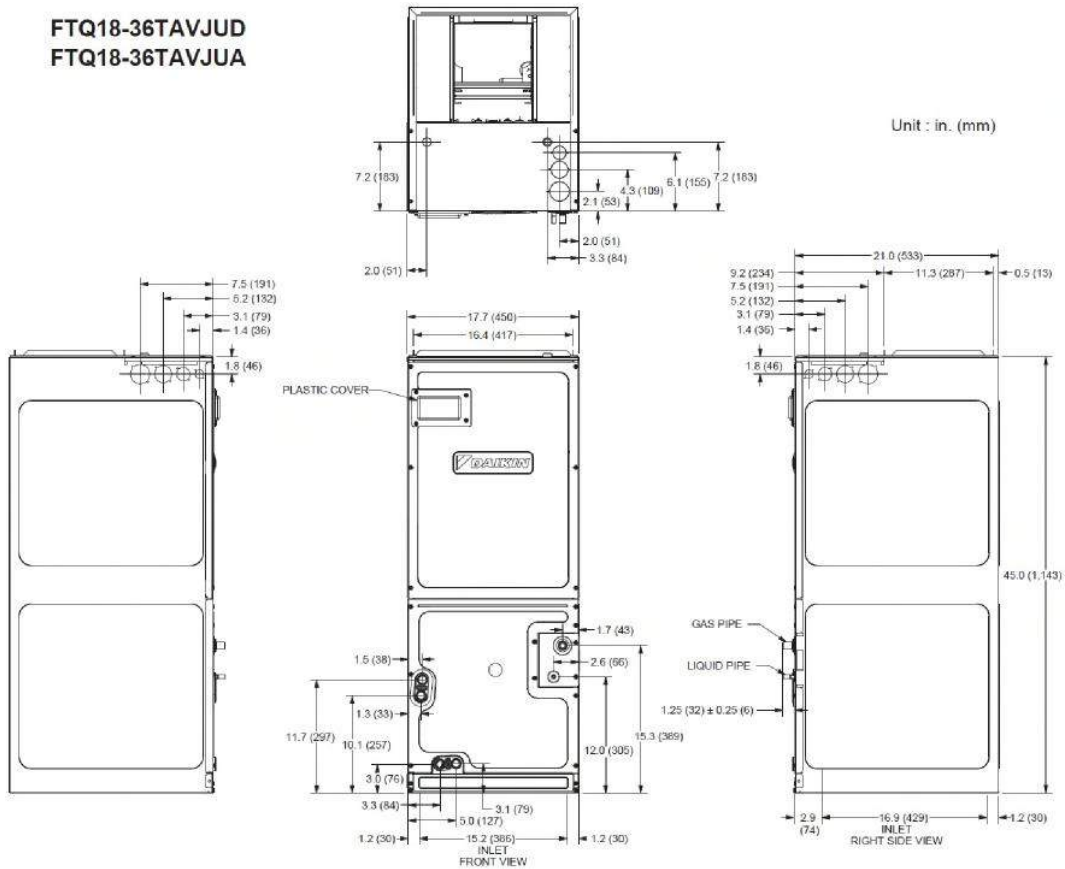
## Submittal Data Sheet

3.0-Ton Multi-Position Air Handler Cooling Only  
FTQ36TAVJUDRZR36TAVJU

### INDOOR UNIT DETAILS

Power Supply (V/Hz/Ph):	208/230 / 60 / 1	Airflow Rate (H) (CFM):	1050
Power Supply Connections:	L1, L2, Ground	Moisture Removal (Gal/hr):	
Min. Circuit Amps MCA (A):	4.9	Gas Pipe Connection (inch):	5/8
Max Overcurrent Protection (MOP) (A):	15	Liquid Pipe Connection (inch):	3/8
Dimensions (HxWxD) (in):	45 x 17.5 x 21	Condensate Connection (inch):	3/4
Net Weight (lb):	140	Sound Pressure (H/M/L) (dBA):	52 / 48 / 44
Ext. Static Pressure (Rated/Max) (inWg):	/ 0.9	Sound Power Level (dBA):	

### DIMENSIONAL DRAWING - INDOOR UNIT



Daikin North America LLC, 5151 San Felipe, Suite 500, Houston, TX, 77056

Daikin City Generated Submittal Data

[www.daikinac.com](http://www.daikinac.com) [www.daikincomfort.com](http://www.daikincomfort.com)

(Daikin's products are subject to continuous improvements. Daikin reserves the right to modify product design, specifications and information in this data sheet without notice and without incurring any obligations)

Submittal Date: 3/7/2019 1:28:40 PM

Page 3 of 4

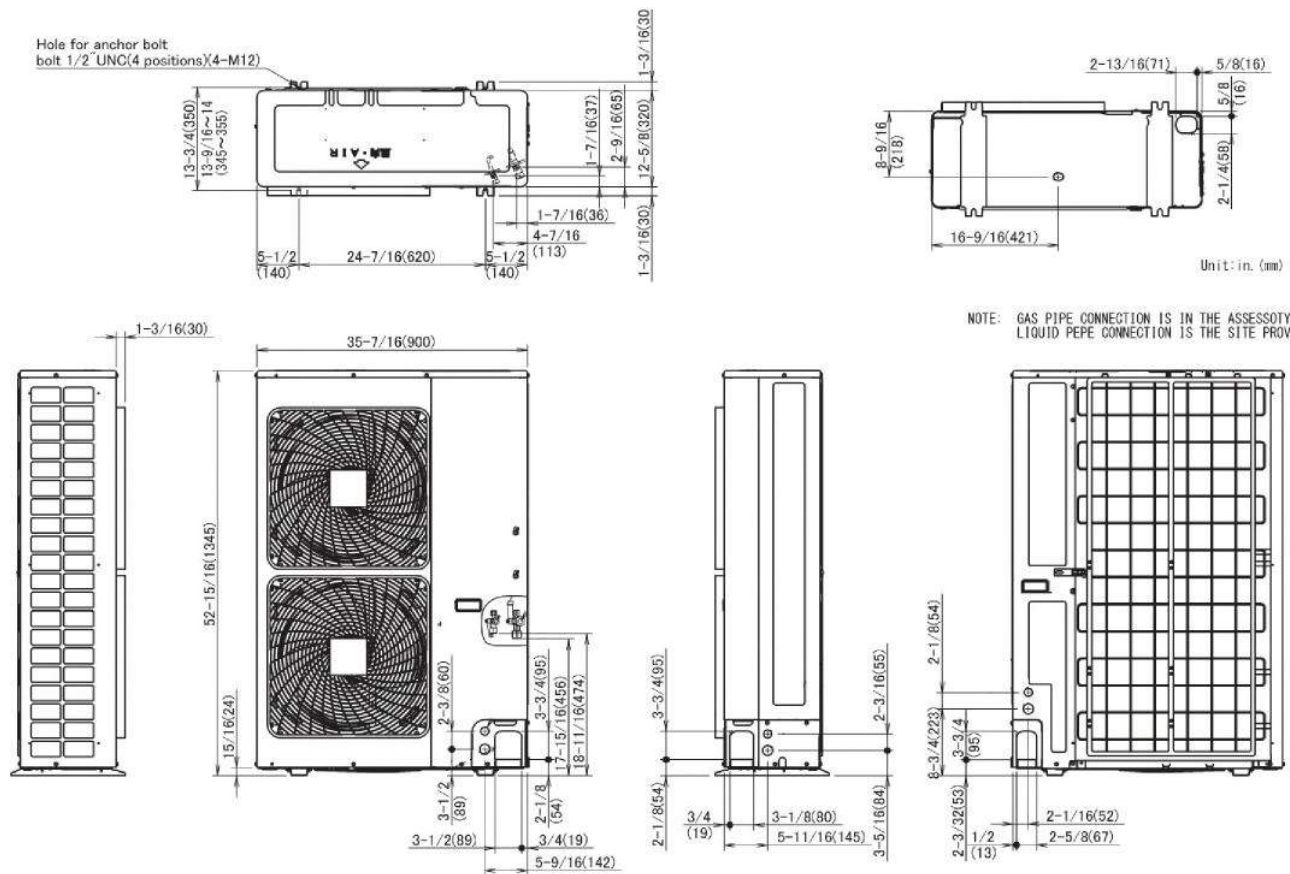


## Submittal Data Sheet

3.0-Ton Multi-Position Air Handler Cooling Only  
FTQ36TAVJUDRZR36TAVJU

### OUTDOOR UNIT DETAILS

Power Supply (V/Hz/Ph):	208-230 / 60 / 1	Compressor Stage:	
Power Supply Connections:	L1, L2, Ground	Capacity Control Range (%):	14 - 100
Min. Circuit Amps MCA (A):	29.1	Airflow Rate (H) (CFM):	3741
Max Overcurrent Protection (MOP) (A):	35	Gas Pipe Connection (inch):	5/8
Max Starting Current MSC(A):		Liquid Pipe Connection (inch):	3/8
Rated Load Amps RLA(A):	19	Sound Pressure (H) (dBA):	57
Dimensions (HxWxD) (in):	52-15/16 x 35-7/16 x 12-5/8	Sound Power Level (dBA):	
Net Weight (lb):	225		





## Submittal Data Sheet

3.5-Ton Multi-Position Air Handler Cooling Only  
FTQ42TAVJUDRZR42TAVJU

### FEATURES

- Designed for zero clearance on three sides and only 24" clearance on the front for service
- Horizontal left, Horizontal right, Upflow & Downflow installation configurations

### INDOOR UNIT



### OUTDOOR UNIT





## Submittal Data Sheet

3.5-Ton Multi-Position Air Handler Cooling Only  
FTQ42TAVJUDRZR42TAVJU

### SYSTEM PERFORMANCE

Indoor Unit Model No.	FTQ42TAVJUD	Indoor Unit Name:	air handler
Outdoor Unit Model No.	RZR42TAVJU	Outdoor Unit Name:	Sky-Air 3.5 Ton Cooling Only ODU
Rated Cooling Capacity (Btu/hr):	42,000	Rated Cooling Conditions:	Indoor (°F DB/WB): 80 / 67 Ambient (°F DB/WB): 95 / 75
Sensible Capacity (Btu/hr):	30,600	Rated Piping Length(ft):	25
Max/Min Cooling Capacity (Btu/hr):	/	Rated Height Difference (ft):	0.00
Cooling Input Power (kW):			
SEER (Non-Ducted/Ducted):	/ 16.00		
EER (Non-Ducted/Ducted):	/ 11.00		
Heating Input Power (kW):	0.47		

### SYSTEM DETAILS

Refrigerant Type:	R-410A	Cooling Operation Range (°F DB):	23 - 122
Holding Refrigerant Charge (lbs):	7.9	Heating Operation Range (°F WB):	-
Additional Charge (lb/ft):	0.04	Max. Pipe Length (Vertical) (ft):	98
Pre-charge Piping (Length) (ft):	15	Cooling Range w/Baffle (°F DB):	0 - 122
Max. Pipe Length (Total) (ft):	230	Heating Range w/Baffle (°F WB):	-
Max Height Separation (Ind to Ind ft):	0		



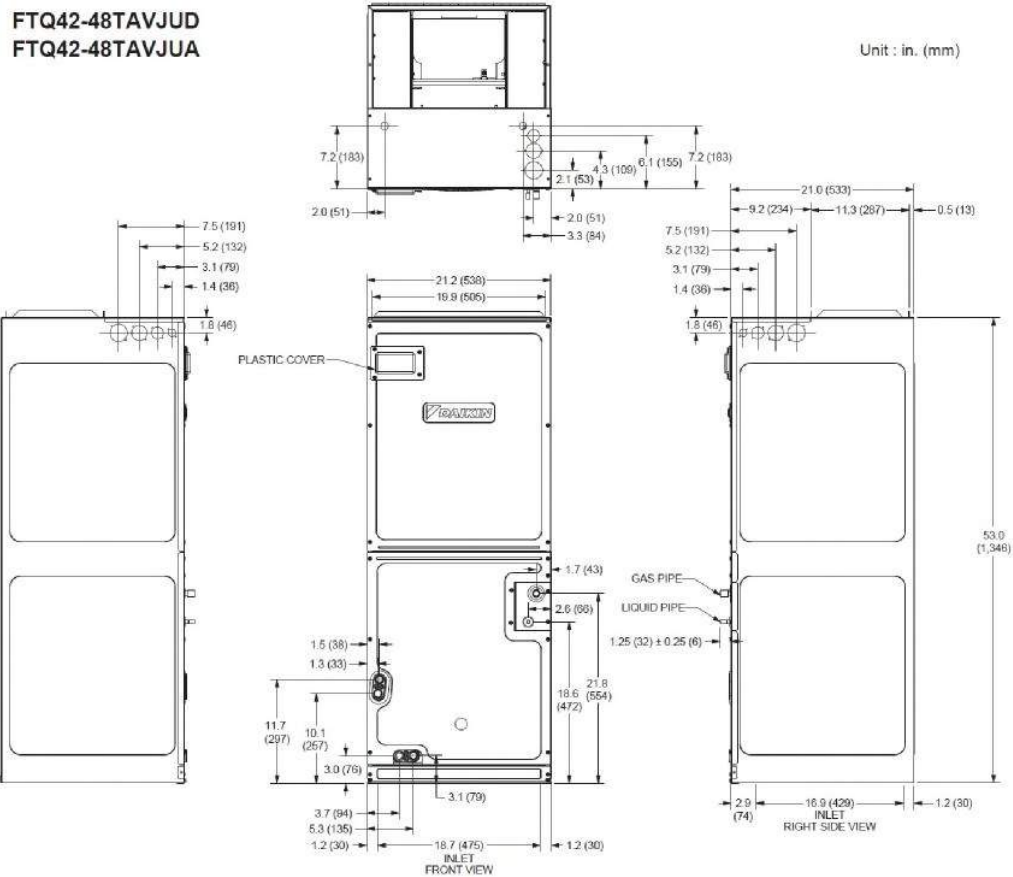
## Submittal Data Sheet

3.5-Ton Multi-Position Air Handler Cooling Only  
FTQ42TAVJUDRZR42TAVJU

### INDOOR UNIT DETAILS

Power Supply (V/Hz/Ph):	208/230 / 60 / 1	Airflow Rate (H) (CFM):	1400
Power Supply Connections:	L1, L2, Ground	Moisture Removal (Gal/hr):	
Min. Circuit Amps MCA (A):	6.5	Gas Pipe Connection (inch):	5/8
Max Overcurrent Protection (MOP) (A):	15	Liquid Pipe Connection (inch):	3/8
Dimensions (HxWxD) (in):	53.43 x 21 x 21	Condensate Connection (inch):	3/4
Net Weight (lb):	150	Sound Pressure (H/M/L) (dBA):	54 / 50 / 46
Ext. Static Pressure (Rated/Max) (inWg):	/ 0.9	Sound Power Level (dBA):	

## DIMENSIONAL DRAWING - INDOOR UNIT



Daikin North America LLC, 5151 San Felipe, Suite 500, Houston, TX, 77056

Daikin City Generated Submittal Data

[www.daikinac.com](http://www.daikinac.com) [www.daikincomfort.com](http://www.daikincomfort.com)

(Daikin's products are subject to continuous improvements. Daikin reserves the right to modify product design, specifications and information in this data sheet without notice and without incurring any obligations)

Submittal Date: 6/3/2019 3:37:10 PM

Page 3 of 4

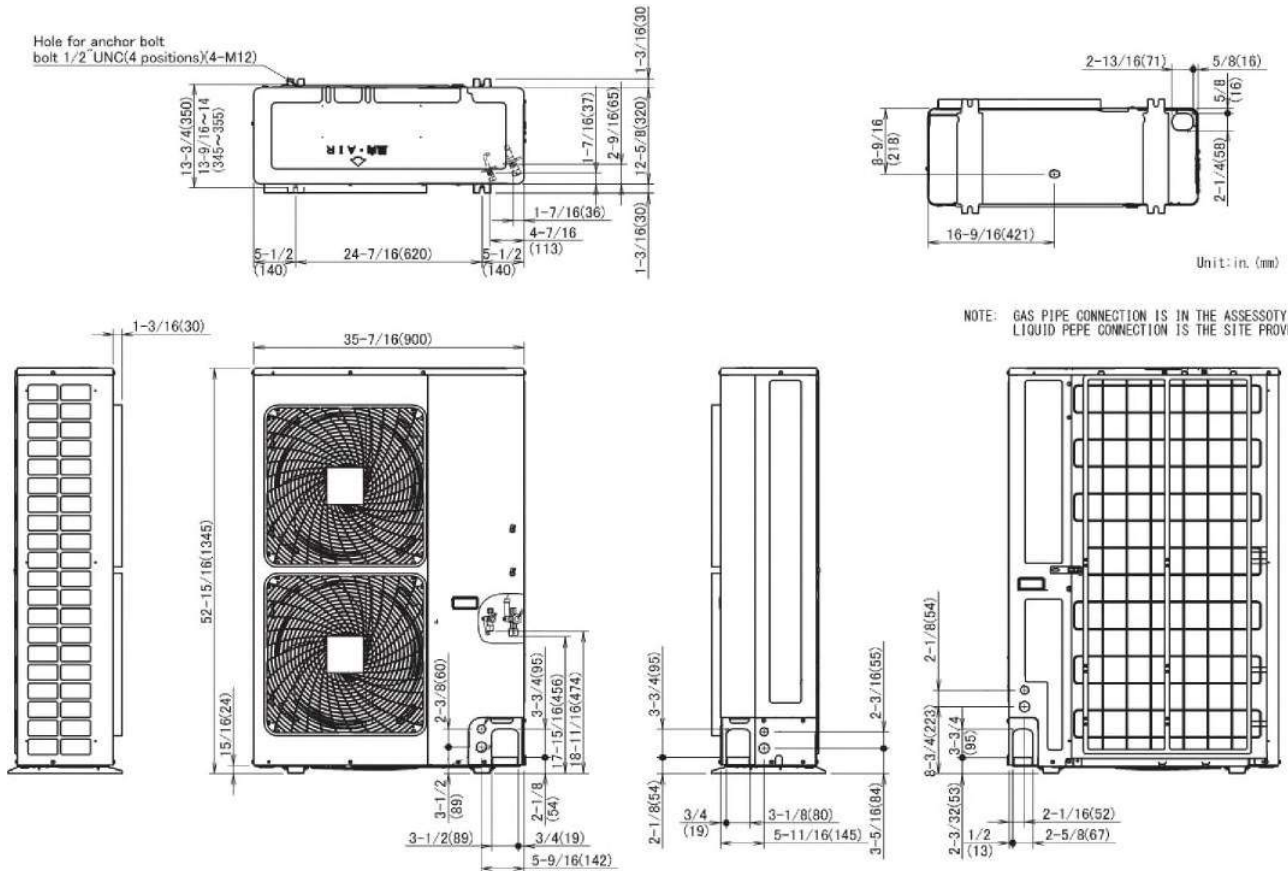


## Submittal Data Sheet

3.5-Ton Multi-Position Air Handler Cooling Only  
FTQ42TAVJUDRZR42TAVJU

### OUTDOOR UNIT DETAILS

Power Supply (V/Hz/Ph):	208-230 / 60 / 1	Compressor Stage:	
Power Supply Connections:	L1, L2, Ground	Capacity Control Range (%):	14 - 100
Min. Circuit Amps MCA (A):	29.1	Airflow Rate (H) (CFM):	3741
Max Overcurrent Protection (MOP) (A):	35	Gas Pipe Connection (inch):	5/8
Max Starting Current MSC(A):		Liquid Pipe Connection (inch):	3/8
Rated Load Amps RLA(A):	19	Sound Pressure (H) (dBA):	57
Dimensions (HxWxD) (in):	52-15/16 x 35-7/16 x 12-5/8	Sound Power Level (dBA):	
Net Weight (lb):	225		







## Submittal Data Sheet

4.0-Ton Multi-Position Air Handler Cooling Only  
FTQ48TAVJUDRZR48TAVJU

### FEATURES

- Designed for zero clearance on three sides and only 24" clearance on the front for space
- Horizontal left, Horizontal right, Upflow and Downflow installation configurations

### INDOOR UNIT



### OUTDOOR UNIT





## Submittal Data Sheet

4.0-Ton Multi-Position Air Handler Cooling Only  
FTQ48TAVJUDRZR48TAVJU

### SYSTEM PERFORMANCE

Indoor Unit Model No.	FTQ48TAVJUD	Indoor Unit Name:	air handler
Outdoor Unit Model No.	RZR48TAVJU	Outdoor Unit Name:	Sky-Air 4.0 Ton Cooling Only ODU
Rated Cooling Capacity (Btu/hr):	48,000	Rated Cooling Conditions:	Indoor (°F DB/WB): 80 / 67 Ambient (°F DB/WB): 95 / 75
Sensible Capacity (Btu/hr):	35,000	Rated Piping Length(ft):	25
Max/Min Cooling Capacity (Btu/hr):	/	Rated Height Difference (ft):	0.00
Cooling Input Power (kW):			
SEER (Non-Ducted/Ducted):	/ 14.80		
EER (Non-Ducted/Ducted):	/ 9.50		
Heating Input Power (kW):	0.52		

### SYSTEM DETAILS

Refrigerant Type:	R-410A	Cooling Operation Range (°F DB):	23 - 122
Holding Refrigerant Charge (lbs):	7.9	Heating Operation Range (°F WB):	-
Additional Charge (lb/ft):	0.04	Max. Pipe Length (Vertical) (ft):	98
Pre-charge Piping (Length) (ft):	15	Cooling Range w/Baffle (°F DB):	0 - 122
Max. Pipe Length (Total) (ft):	230	Heating Range w/Baffle (°F WB):	-
Max Height Separation (Ind to Ind ft):	0		



## Submittal Data Sheet

4.0-Ton Multi-Position Air Handler Cooling Only  
FTQ48TAVJUDRZR48TAVJU

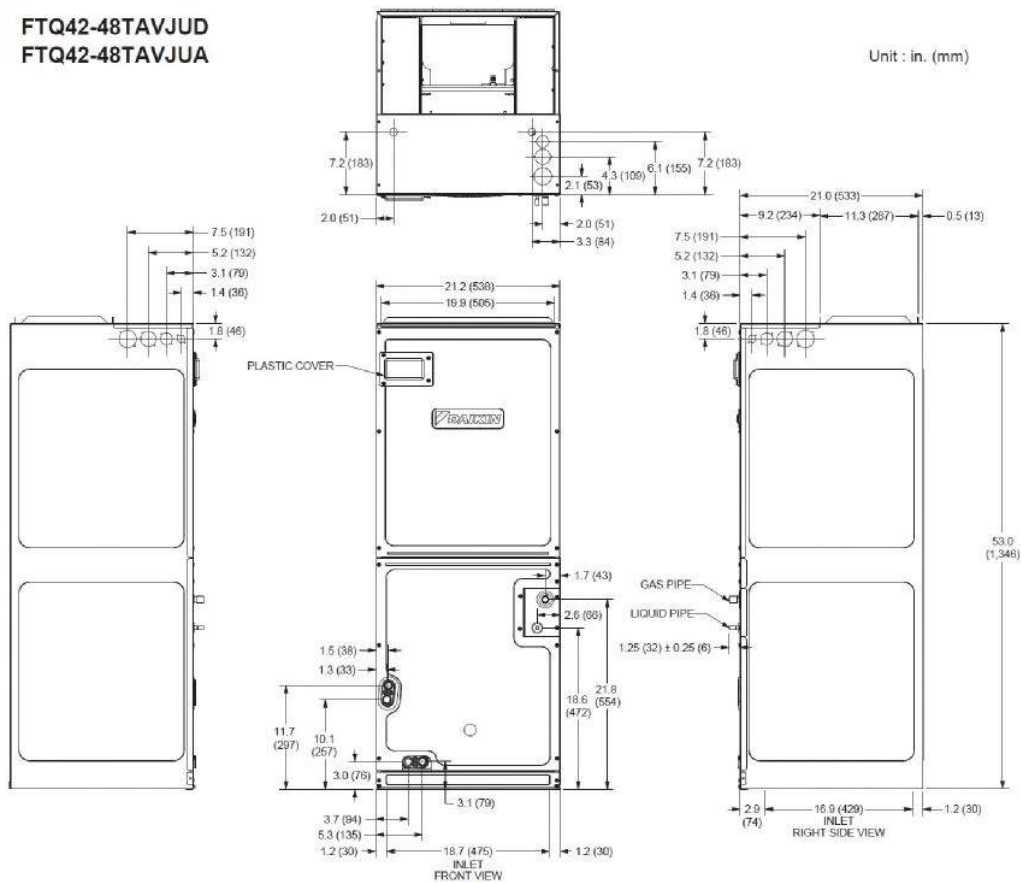
### INDOOR UNIT DETAILS

Power Supply (V/Hz/Ph):	208/230 / 60 / 1	Airflow Rate (H) (CFM):	1520
Power Supply Connections:	L1, L2, Ground	Moisture Removal (Gal/hr):	
Min. Circuit Amps MCA (A):	6.5	Gas Pipe Connection (inch):	5/8
Max Overcurrent Protection (MOP) (A):	15	Liquid Pipe Connection (inch):	3/8
Dimensions (HxWxD) (in):	53.43 x 21 x 21	Condensate Connection (inch):	3/4
Net Weight (lb):	150	Sound Pressure (H/M/L) (dBA):	54 / 50 / 46
Ext. Static Pressure (Rated/Max) (inWg):	/ 0.9	Sound Power Level (dBA):	

### DIMENSIONAL DRAWING - INDOOR UNIT

FTQ42-48TAVJUD  
FTQ42-48TAVJUA

Unit : in. (mm)





## Submittal Data Sheet

4.0-Ton Multi-Position Air Handler Cooling Only  
FTQ48TAVJUDRZR48TAVJU

### OUTDOOR UNIT DETAILS

Power Supply (V/Hz/Ph):	208-230 / 60 / 1	Compressor Stage:	
Power Supply Connections:	L1, L2, Ground	Capacity Control Range (%):	14 - 100
Min. Circuit Amps MCA (A):	29.1	Airflow Rate (H) (CFM):	3741
Max Overcurrent Protection (MOP) (A):	35	Gas Pipe Connection (inch):	5/8
Max Starting Current MSC(A):		Liquid Pipe Connection (inch):	3/8
Rated Load Amps RLA(A):	19	Sound Pressure (H) (dBA):	57
Dimensions (HxWxD) (in):	52-15/16 x 35-7/16 x 12-5/8	Sound Power Level (dBA):	
Net Weight (lb):	225		

