



## Submittal Data Sheet

1.5-Ton Multi-Position Air Handler Cooling Only  
FTQ18TAVJUDRZR18TAVJU

### FEATURES

- Designed for zero clearance on three sides and only 24" clearance on the front for service
- Horizontal left, Horizontal right, Upflow & Downflow installation configurations

### INDOOR UNIT



### OUTDOOR UNIT





## Submittal Data Sheet

1.5-Ton Multi-Position Air Handler Cooling Only  
FTQ18TAVJUDRZR18TAVJU

### SYSTEM PERFORMANCE

Indoor Unit Model No.	FTQ18TAVJUD	Indoor Unit Name:	air handler
Outdoor Unit Model No.	RZR18TAVJU	Outdoor Unit Name:	Sky-Air Cooling Only ODU
Rated Cooling Capacity (Btu/hr):	18,000	Rated Cooling Conditions:	Indoor (°F DB/WB): 80 / 67 Ambient (°F DB/WB): 95 / 75
Sensible Capacity (Btu/hr):	16,100	Rated Piping Length(ft):	25
Max/Min Cooling Capacity (Btu/hr):	/	Rated Height Difference (ft):	0.00
Cooling Input Power (kW):			
SEER (Non-Ducted/Ducted):	/ 15.50		
EER (Non-Ducted/Ducted):	/ 12.50		
Heating Input Power (kW):	0.22		

### SYSTEM DETAILS

Refrigerant Type:	R-410A	Cooling Operation Range (°F DB):	23 - 122
Holding Refrigerant Charge (lbs):	6.4	Heating Operation Range (°F WB):	-
Additional Charge (lb/ft):	0.04	Max. Pipe Length (Vertical) (ft):	98
Pre-charge Piping (Length) (ft):	15	Cooling Range w/Baffle (°F DB):	0 - 122
Max. Pipe Length (Total) (ft):	164	Heating Range w/Baffle (°F WB):	-
Max Height Separation (Ind to Ind ft):	0		



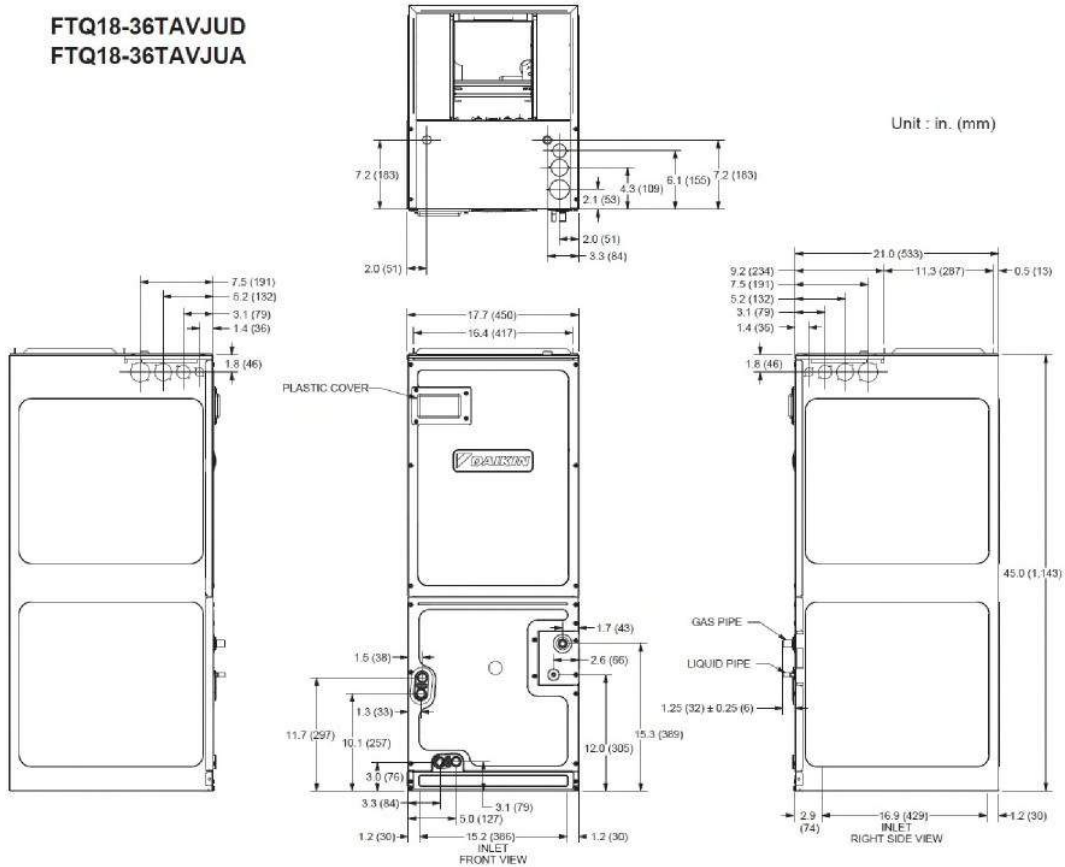
## Submittal Data Sheet

1.5-Ton Multi-Position Air Handler Cooling Only  
FTQ18TAVJUDRZR18TAVJU

### INDOOR UNIT DETAILS

Power Supply (V/Hz/Ph):	208/230 / 60 / 1	Airflow Rate (H) (CFM):	600
Power Supply Connections:	L1, L2, Ground	Moisture Removal (Gal/hr):	
Min. Circuit Amps MCA (A):	4.9	Gas Pipe Connection (inch):	5/8
Max Overcurrent Protection (MOP) (A):	15	Liquid Pipe Connection (inch):	3/8
Dimensions (HxWxD) (in):	45 x 17.5 x 21	Condensate Connection (inch):	3/4
Net Weight (lb):	115	Sound Pressure $\emptyset$ (dBA):	53/50/47
Ext. Static Pressure (Rated/Max) (inWg):	/ 0.9	Sound Power Level (dBA):	

## DIMENSIONAL DRAWING - INDOOR UNIT





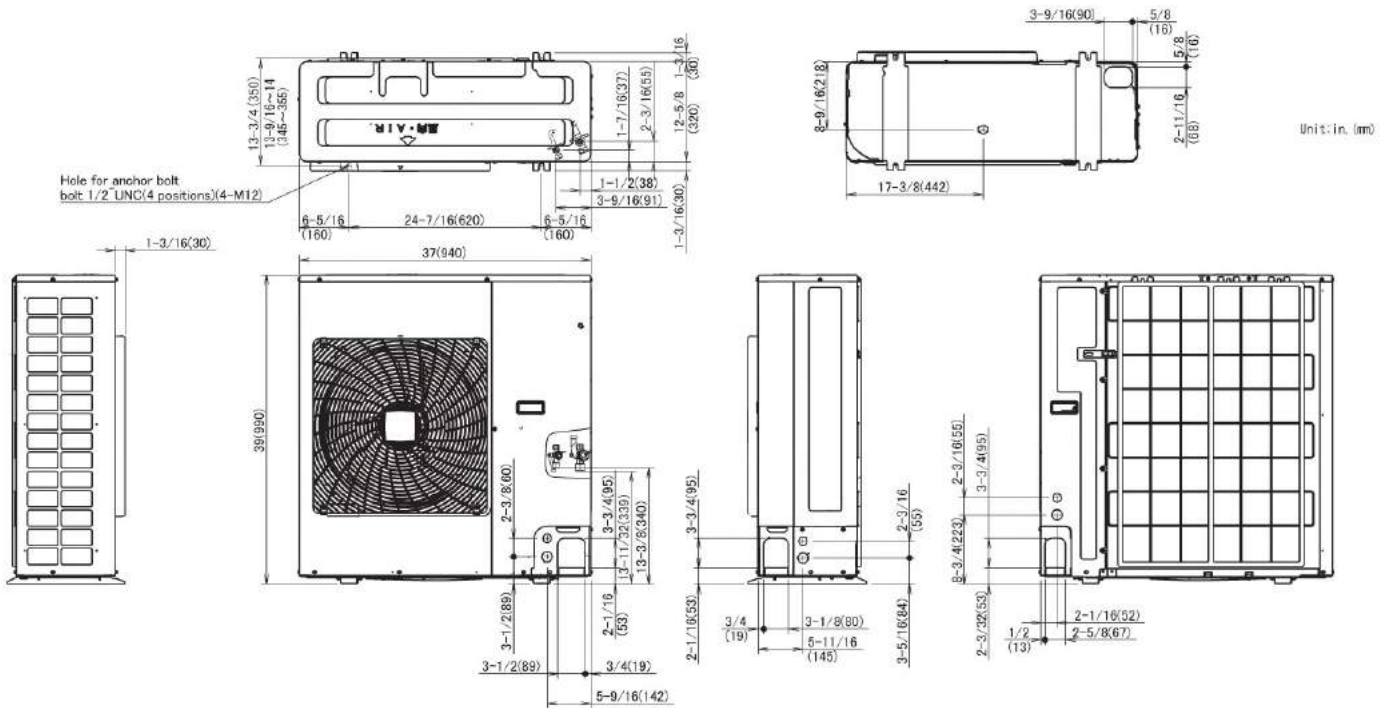
## Submittal Data Sheet

1.5-Ton Multi-Position Air Handler Cooling Only  
FTQ18TAVJUDRZR18TAVJU

### OUTDOOR UNIT DETAILS

Power Supply (V/Hz/Ph):	208-230 / 60 / 1	Compressor Stage:	
Power Supply Connections:	L1, L2, Ground	Capacity Control Range (%):	14 - 100
Min. Circuit Amps MCA (A):	16.5	Airflow Rate (H) (CFM):	2682
Max Overcurrent Protection (MOP) (A):	25	Gas Pipe Connection (inch):	5/8
Max Starting Current MSC(A):		Liquid Pipe Connection (inch):	3/8
Rated Load Amps RLA(A):		Sound Pressure (H) (dBA):	58
Dimensions (HxWxD) (in):	39 x 37 x 12-5/8	Sound Power Level (dBA):	
Net Weight (lb):	172		

### DIMENSIONAL DRAWING - OUTDOOR UNIT



Daikin North America LLC, 5151 San Felipe, Suite 500, Houston, TX, 77056

Daikin City Generated Submittal Data

[www.daikinac.com](http://www.daikinac.com) [www.daikincomfort.com](http://www.daikincomfort.com)

(Daikin's products are subject to continuous improvements. Daikin reserves the right to modify product design, specifications and information in this data sheet without notice and without incurring any obligations)

Submittal Date: 6/3/2019 11:08:00 AM

Page 4 of 4



## Submittal Data Sheet

2.0-Ton Multi-Position Air Handler Cooling Only  
FTQ24TAVJDURZR24TAVJU

### FEATURES

- Designed for zero clearance on three sides and only 24" clearance on the front for service
- Horizontal left, Horizontal right, Upflow & Downflow installation configurations

### INDOOR UNIT



### OUTDOOR UNIT





## Submittal Data Sheet

2.0-Ton Multi-Position Air Handler Cooling Only  
FTQ24TAVJDURZR24TAVJU

### SYSTEM PERFORMANCE

Indoor Unit Model No.	FTQ24TAVJUD	Indoor Unit Name:	air handler
Outdoor Unit Model No.	RZR24TAVJU	Outdoor Unit Name:	Sky-Air 2.0 Ton Cooling Only ODU
Rated Cooling Capacity (Btu/hr):	24,000	Rated Cooling Conditions:	Indoor (°F DB/WB): 80 / 67 Ambient (°F DB/WB): 95 / 75
Sensible Capacity (Btu/hr):	19,900	Rated Piping Length(ft):	25
Max/Min Cooling Capacity (Btu/hr):	/	Rated Height Difference (ft):	0.00
Cooling Input Power (kW):			
SEER (Non-Ducted/Ducted):	/ 15.20		
EER (Non-Ducted/Ducted):	/ 10.30		
Heating Input Power (kW):	0.27		

### SYSTEM DETAILS

Refrigerant Type:	R-410A	Cooling Operation Range (°F DB):	23 - 122
Holding Refrigerant Charge (lbs):	6.4	Heating Operation Range (°F WB):	-
Additional Charge (lb/ft):	0.04	Max. Pipe Length (Vertical) (ft):	98
Pre-charge Piping (Length) (ft):	15	Cooling Range w/Baffle (°F DB):	0 - 122
Max. Pipe Length (Total) (ft):	164	Heating Range w/Baffle (°F WB):	-
Max Height Separation (Ind to Ind ft):	0		



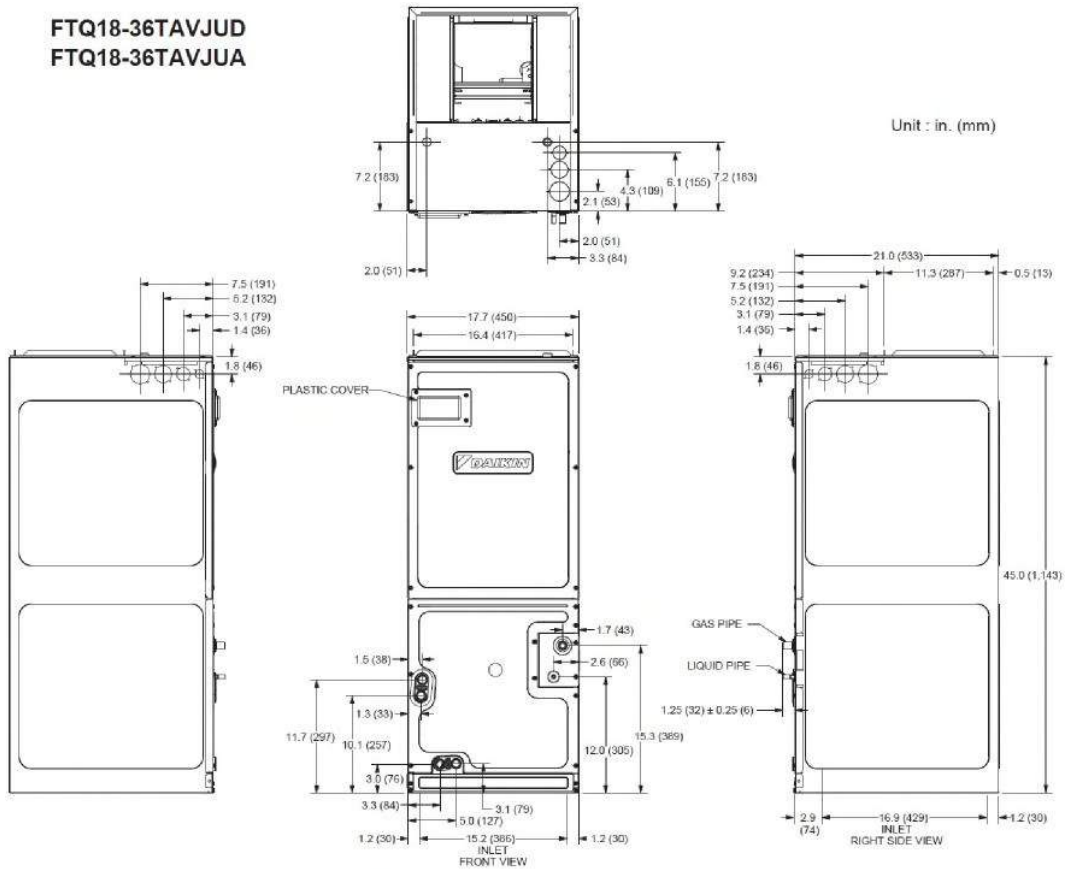
## Submittal Data Sheet

2.0-Ton Multi-Position Air Handler Cooling Only  
FTQ24TAVJDURZR24TAVJU

### INDOOR UNIT DETAILS

Power Supply (V/Hz/Ph):	208/230 / 60 / 1	Airflow Rate (H) (CFM):	800
Power Supply Connections:	L1, L2, Ground	Moisture Removal (Gal/hr):	
Min. Circuit Amps MCA (A):	4.9	Gas Pipe Connection (inch):	5/8
Max Overcurrent Protection (MOP) (A):	15	Liquid Pipe Connection (inch):	3/8
Dimensions (HxWxD) (in):	45 x 17.5 x 21	Condensate Connection (inch):	3/4
Net Weight (lb):	115	Sound Pressure (H/M/L) (dBA):	45 / 41 / 38
Ext. Static Pressure (Rated/Max) (inWg):	/ 0.9	Sound Power Level (dBA):	

### DIMENSIONAL DRAWING - INDOOR UNIT



Daikin North America LLC, 5151 San Felipe, Suite 500, Houston, TX, 77056

Daikin City Generated Submittal Data

[www.daikinac.com](http://www.daikinac.com) [www.daikincomfort.com](http://www.daikincomfort.com)

(Daikin's products are subject to continuous improvements. Daikin reserves the right to modify product design, specifications and information in this data sheet without notice and without incurring any obligations)

Submittal Date: 6/3/2019 11:12:11 AM

Page 3 of 4



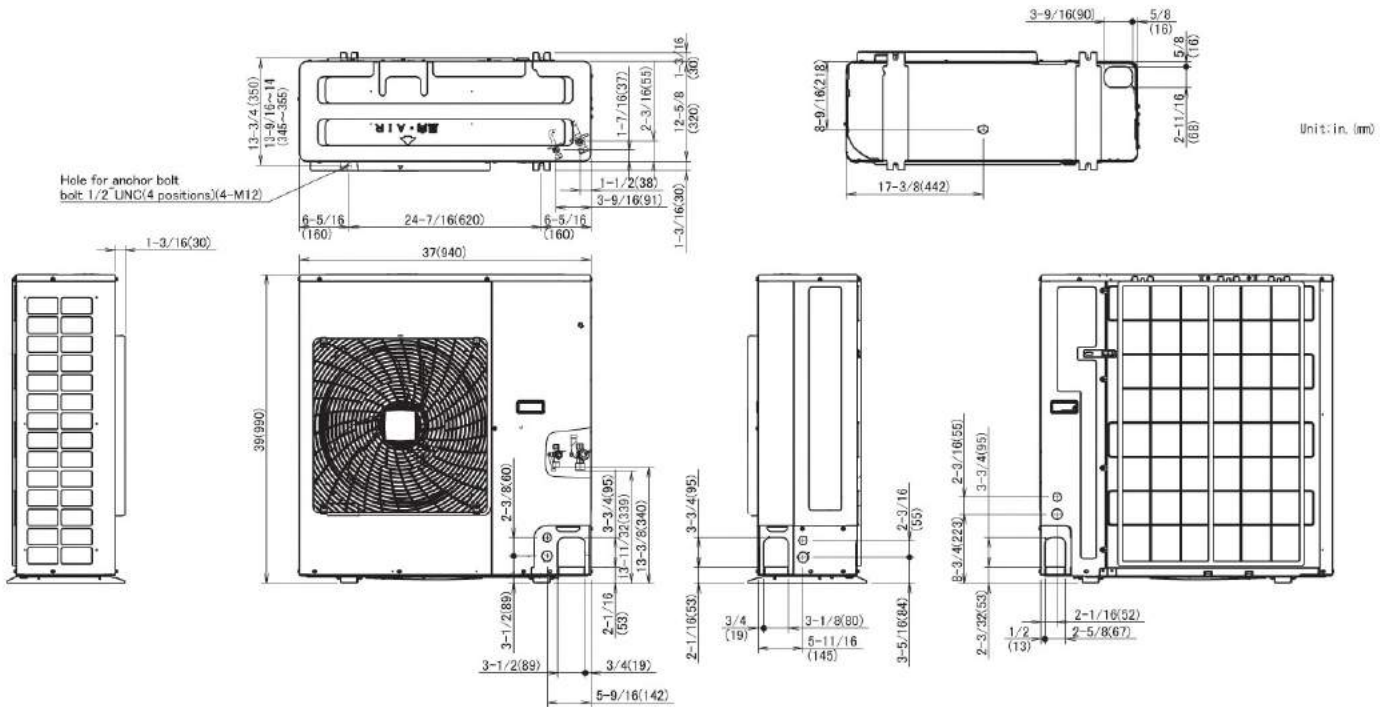
## Submittal Data Sheet

2.0-Ton Multi-Position Air Handler Cooling Only  
FTQ24TAVJDURZR24TAVJU

### OUTDOOR UNIT DETAILS

Power Supply (V/Hz/Ph):	208-230 / 60 / 1	Compressor Stage:	
Power Supply Connections:	L1, L2, Ground	Capacity Control Range (%):	14 - 100
Min. Circuit Amps MCA (A):	16.5	Airflow Rate (H) (CFM):	2682
Max Overcurrent Protection (MOP) (A):	25	Gas Pipe Connection (inch):	5/8
Max Starting Current MSC(A):		Liquid Pipe Connection (inch):	3/8
Rated Load Amps RLA(A):		Sound Pressure (H) (dBA):	58
Dimensions (HxWxD) (in):	39 x 37 x 12-5/8	Sound Power Level (dBA):	
Net Weight (lb):	172		

### DIMENSIONAL DRAWING - OUTDOOR UNIT



Daikin North America LLC, 5151 San Felipe, Suite 500, Houston, TX, 77056

Daikin City Generated Submittal Data

[www.daikinac.com](http://www.daikinac.com) [www.daikincomfort.com](http://www.daikincomfort.com)

(Daikin's products are subject to continuous improvements. Daikin reserves the right to modify product design, specifications and information in this data sheet without notice and without incurring any obligations)

Submittal Date: 6/3/2019 11:12:11 AM

Page 4 of 4





## Submittal Data Sheet

2.5-Ton Multi-Position Air Handler Cooling Only  
FTQ30TAVJUDRZR30TAVJU

### FEATURES

- Designed for zero clearance on three sides and only 24" clearance on the front for service
- Horizontal left, Horizontal right, Upflow & Downflow installation configurations

### INDOOR UNIT



### OUTDOOR UNIT





## Submittal Data Sheet

2.5-Ton Multi-Position Air Handler Cooling Only  
FTQ30TAVJUDRZR30TAVJU

### SYSTEM PERFORMANCE

Indoor Unit Model No.	FTQ30TAVJUD	Indoor Unit Name:	air handler
Outdoor Unit Model No.	RZR30TAVJU	Outdoor Unit Name:	Sky-Air 2.5 Ton Cooling Only ODU
Rated Cooling Capacity (Btu/hr):	30,000	Rated Cooling Conditions:	Indoor (°F DB/WB): 80 / 67 Ambient (°F DB/WB): 95 / 75
Sensible Capacity (Btu/hr):	22,300	Rated Piping Length(ft):	25
Max/Min Cooling Capacity (Btu/hr):	/	Rated Height Difference (ft):	0.00
Cooling Input Power (kW):			
SEER (Non-Ducted/Ducted):	/ 16.00		
EER (Non-Ducted/Ducted):	/ 12.50		
Heating Input Power (kW):	0.41		

### SYSTEM DETAILS

Refrigerant Type:	R-410A	Cooling Operation Range (°F DB):	23 - 122
Holding Refrigerant Charge (lbs):	7.9	Heating Operation Range (°F WB):	-
Additional Charge (lb/ft):	0.04	Max. Pipe Length (Vertical) (ft):	98
Pre-charge Piping (Length) (ft):	15	Cooling Range w/Baffle (°F DB):	0 - 122
Max. Pipe Length (Total) (ft):	230	Heating Range w/Baffle (°F WB):	-
Max Height Separation (Ind to Ind ft):	0		



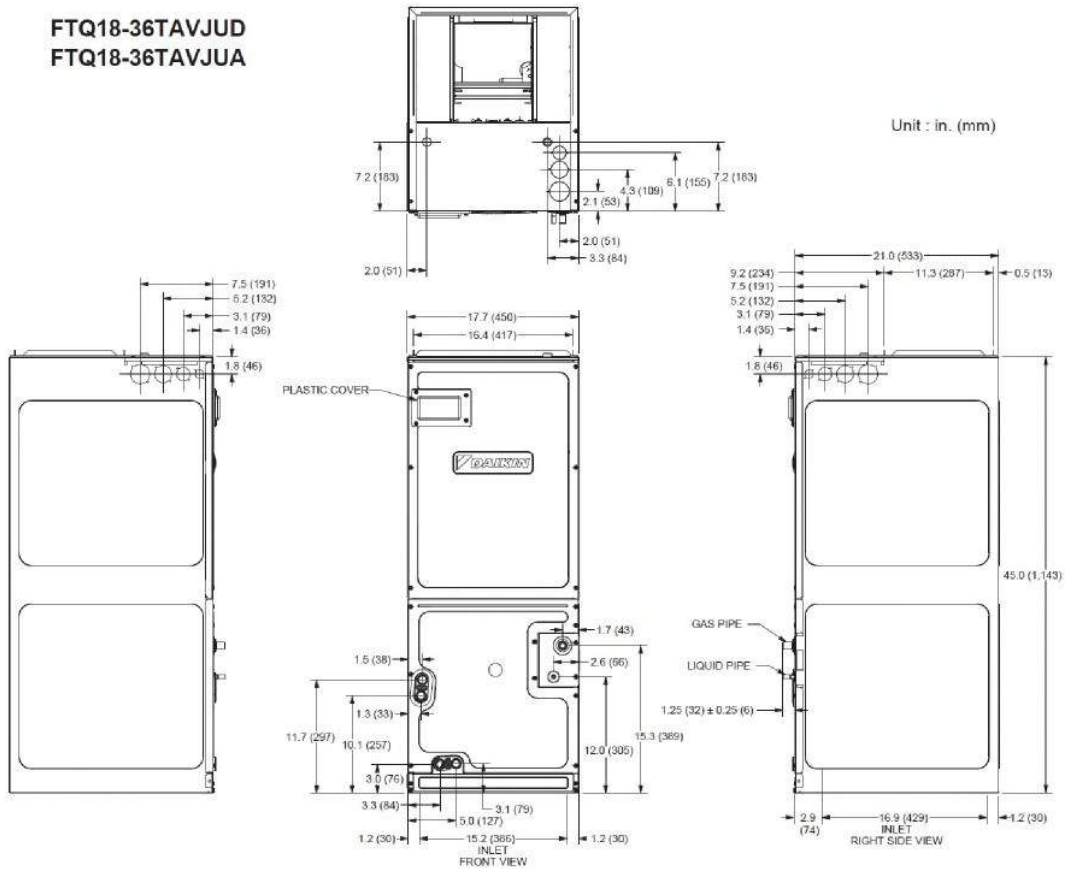
## Submittal Data Sheet

2.5-Ton Multi-Position Air Handler Cooling Only  
FTQ30TAVJUDRZR30TAVJU

### INDOOR UNIT DETAILS

Power Supply (V/Hz/Ph):	208/230 / 60 / 1	Airflow Rate (H) (CFM):	1000
Power Supply Connections:	L1, L2, Ground	Moisture Removal (Gal/hr):	
Min. Circuit Amps MCA (A):	4.9	Gas Pipe Connection (inch):	5/8
Max Overcurrent Protection (MOP) (A):	15	Liquid Pipe Connection (inch):	3/8
Dimensions (HxWxD) (in):	45 x 17.5 x 21	Condensate Connection (inch):	3/4
Net Weight (lb):	115	Sound Pressure (H/M/L) (dBA):	52 / 48 / 44
Ext. Static Pressure (Rated/Max) (inWg):	/ 0.9	Sound Power Level (dBA):	

## DIMENSIONAL DRAWING - INDOOR UNIT



Daikin North America LLC, 5151 San Felipe, Suite 500, Houston, TX, 77056

Daikin City Generated Submittal Data

[www.daikinac.com](http://www.daikinac.com) [www.daikincomfort.com](http://www.daikincomfort.com)

(Daikin's products are subject to continuous improvements. Daikin reserves the right to modify product design, specifications and information in this data sheet without notice and without incurring any obligations)

Submittal Date: 6/3/2019 2:50:17 PM

Page 3 of 4

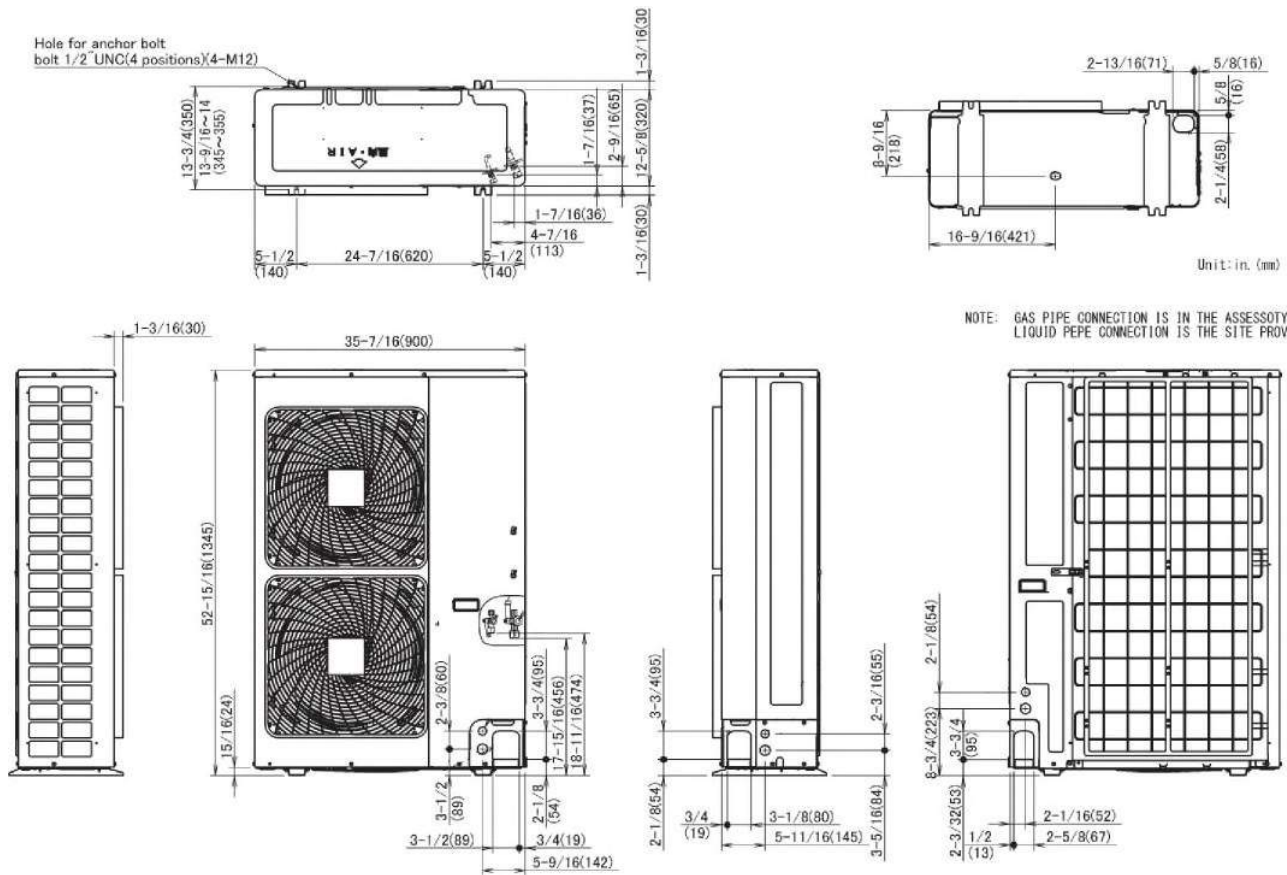


## Submittal Data Sheet

2.5-Ton Multi-Position Air Handler Cooling Only  
FTQ30TAVJUDRZR30TAVJU

### OUTDOOR UNIT DETAILS

Power Supply (V/Hz/Ph):	208-230 / 60 / 1	Compressor Stage:	
Power Supply Connections:	L1, L2, Ground	Capacity Control Range (%):	14 - 100
Min. Circuit Amps MCA (A):	29.1	Airflow Rate (H) (CFM):	3741
Max Overcurrent Protection (MOP) (A):	35	Gas Pipe Connection (inch):	5/8
Max Starting Current MSC(A):		Liquid Pipe Connection (inch):	3/8
Rated Load Amps RLA(A):	19	Sound Pressure (H) (dBA):	57
Dimensions (HxWxD) (in):	52-15/16 x 35-7/16 x 12-5/8	Sound Power Level (dBA):	
Net Weight (lb):	225		





## Submittal Data Sheet

3.0-Ton Multi-Position Air Handler Cooling Only  
FTQ36TAVJUDRZR36TAVJU

### FEATURES

- Designed for zero clearance on three sides and only 24" clearance on the front for service
- Horizontal left, Horizontal rights, Upflow & Downflow installation configurations

### INDOOR UNIT



### OUTDOOR UNIT





## Submittal Data Sheet

3.0-Ton Multi-Position Air Handler Cooling Only  
FTQ36TAVJUDRZR36TAVJU

### SYSTEM PERFORMANCE

Indoor Unit Model No.	FTQ36TAVJUD	Indoor Unit Name:	air handler
Outdoor Unit Model No.	RZR36TAVJU	Outdoor Unit Name:	Sky-Air 3.0 Ton Cooling Only ODU
Rated Cooling Capacity (Btu/hr):	36,000	Rated Cooling Conditions:	Indoor (°F DB/WB): 80 / 67 Ambient (°F DB/WB): 95 / 75
Sensible Capacity (Btu/hr):	28,300	Rated Piping Length(ft):	25
Max/Min Cooling Capacity (Btu/hr):	/	Rated Height Difference (ft):	0.00
Cooling Input Power (kW):			
SEER (Non-Ducted/Ducted):	/ 15.30		
EER (Non-Ducted/Ducted):	/ 11.30		
Heating Input Power (kW):	0.44		

### SYSTEM DETAILS

Refrigerant Type:	R-410A	Cooling Operation Range (°F DB):	23 - 122
Holding Refrigerant Charge (lbs):	7.9	Heating Operation Range (°F WB):	-
Additional Charge (lb/ft):	0.04	Max. Pipe Length (Vertical) (ft):	98
Pre-charge Piping (Length) (ft):	15	Cooling Range w/Baffle (°F DB):	-
Max. Pipe Length (Total) (ft):	230	Heating Range w/Baffle (°F WB):	-
Max Height Separation (Ind to Ind ft):	0		



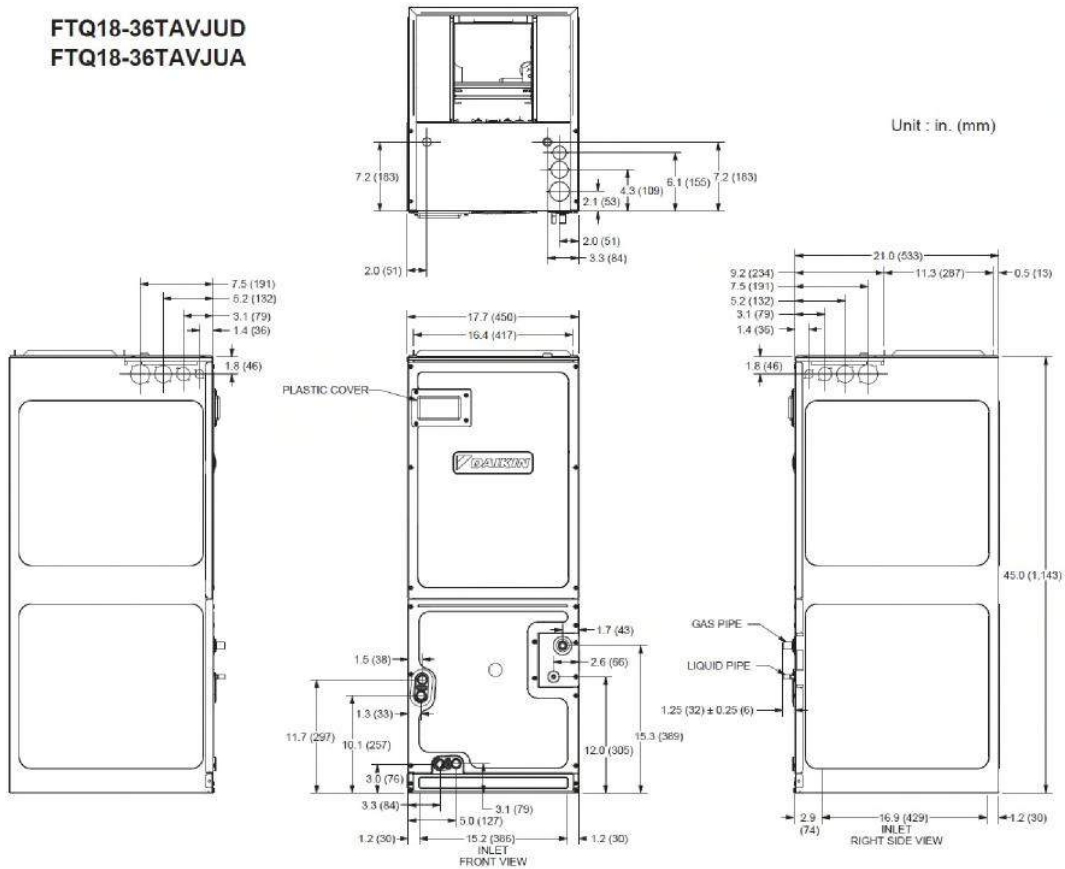
## Submittal Data Sheet

3.0-Ton Multi-Position Air Handler Cooling Only  
FTQ36TAVJUDRZR36TAVJU

### INDOOR UNIT DETAILS

Power Supply (V/Hz/Ph):	208/230 / 60 / 1	Airflow Rate (H) (CFM):	1050
Power Supply Connections:	L1, L2, Ground	Moisture Removal (Gal/hr):	
Min. Circuit Amps MCA (A):	4.9	Gas Pipe Connection (inch):	5/8
Max Overcurrent Protection (MOP) (A):	15	Liquid Pipe Connection (inch):	3/8
Dimensions (HxWxD) (in):	45 x 17.5 x 21	Condensate Connection (inch):	3/4
Net Weight (lb):	140	Sound Pressure (H/M/L) (dBA):	52 / 48 / 44
Ext. Static Pressure (Rated/Max) (inWg):	/ 0.9	Sound Power Level (dBA):	

## DIMENSIONAL DRAWING - INDOOR UNIT



Daikin North America LLC, 5151 San Felipe, Suite 500, Houston, TX, 77056

Daikin City Generated Submittal Data

[www.daikinac.com](http://www.daikinac.com) [www.daikincomfort.com](http://www.daikincomfort.com)

(Daikin's products are subject to continuous improvements. Daikin reserves the right to modify product design, specifications and information in this data sheet without notice and without incurring any obligations)

Submittal Date: 3/7/2019 1:28:40 PM

Page 3 of 4

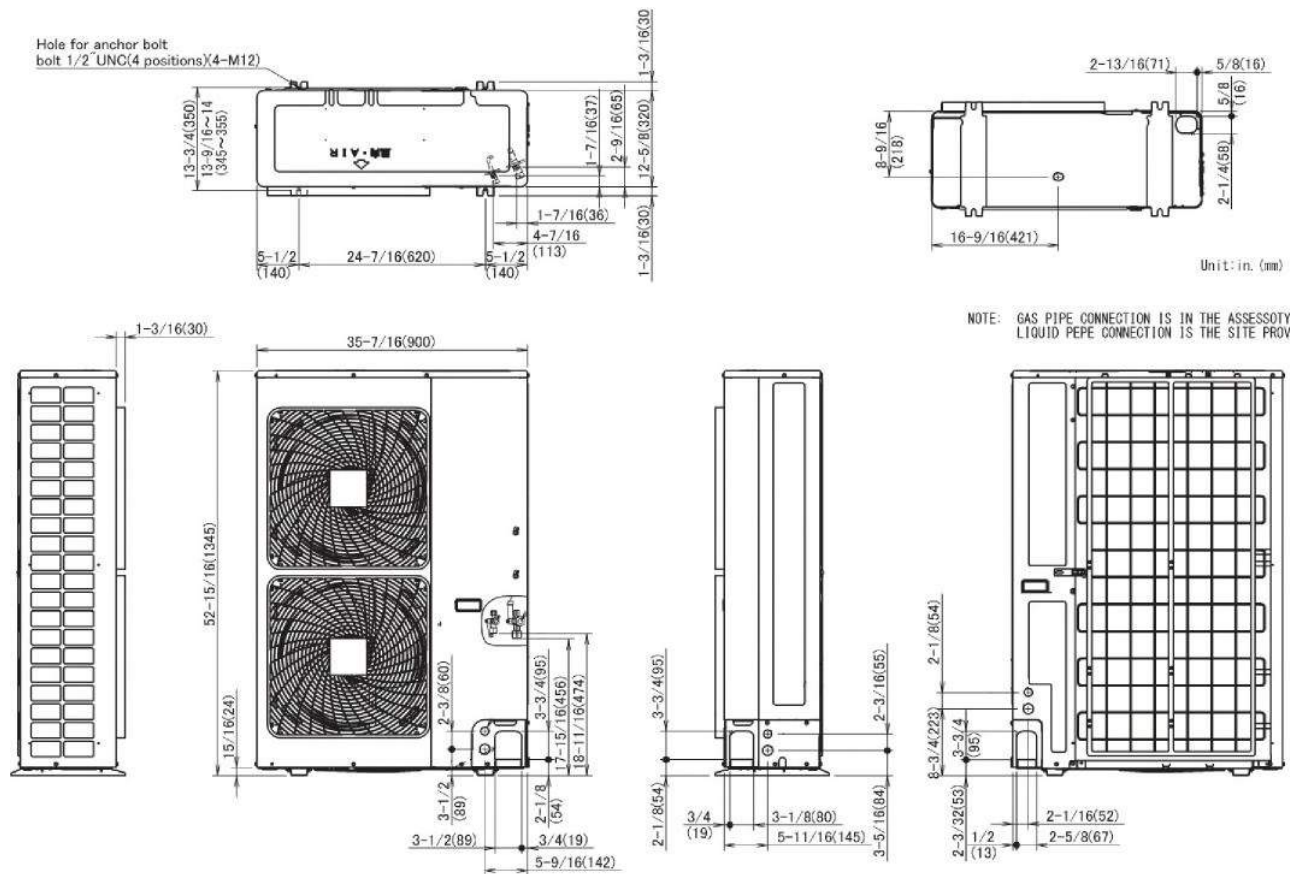


## Submittal Data Sheet

3.0-Ton Multi-Position Air Handler Cooling Only  
FTQ36TAVJUDRZR36TAVJU

### OUTDOOR UNIT DETAILS

Power Supply (V/Hz/Ph):	208-230 / 60 / 1	Compressor Stage:	
Power Supply Connections:	L1, L2, Ground	Capacity Control Range (%):	14 - 100
Min. Circuit Amps MCA (A):	29.1	Airflow Rate (H) (CFM):	3741
Max Overcurrent Protection (MOP) (A):	35	Gas Pipe Connection (inch):	5/8
Max Starting Current MSC(A):		Liquid Pipe Connection (inch):	3/8
Rated Load Amps RLA(A):	19	Sound Pressure (H) (dBA):	57
Dimensions (HxWxD) (in):	52-15/16 x 35-7/16 x 12-5/8	Sound Power Level (dBA):	
Net Weight (lb):	225		







## Submittal Data Sheet

3.5-Ton Multi-Position Air Handler Cooling Only  
FTQ42TAVJUDRZR42TAVJU

### FEATURES

- Designed for zero clearance on three sides and only 24" clearance on the front for service
- Horizontal left, Horizontal right, Upflow & Downflow installation configurations

### INDOOR UNIT



### OUTDOOR UNIT





## Submittal Data Sheet

3.5-Ton Multi-Position Air Handler Cooling Only  
FTQ42TAVJUDRZR42TAVJU

### SYSTEM PERFORMANCE

Indoor Unit Model No.	FTQ42TAVJUD	Indoor Unit Name:	air handler
Outdoor Unit Model No.	RZR42TAVJU	Outdoor Unit Name:	Sky-Air 3.5 Ton Cooling Only ODU
Rated Cooling Capacity (Btu/hr):	42,000	Rated Cooling Conditions:	Indoor (°F DB/WB): 80 / 67 Ambient (°F DB/WB): 95 / 75
Sensible Capacity (Btu/hr):	30,600	Rated Piping Length(ft):	25
Max/Min Cooling Capacity (Btu/hr):	/	Rated Height Difference (ft):	0.00
Cooling Input Power (kW):			
SEER (Non-Ducted/Ducted):	/ 16.00		
EER (Non-Ducted/Ducted):	/ 11.00		
Heating Input Power (kW):	0.47		

### SYSTEM DETAILS

Refrigerant Type:	R-410A	Cooling Operation Range (°F DB):	23 - 122
Holding Refrigerant Charge (lbs):	7.9	Heating Operation Range (°F WB):	-
Additional Charge (lb/ft):	0.04	Max. Pipe Length (Vertical) (ft):	98
Pre-charge Piping (Length) (ft):	15	Cooling Range w/Baffle (°F DB):	0 - 122
Max. Pipe Length (Total) (ft):	230	Heating Range w/Baffle (°F WB):	-
Max Height Separation (Ind to Ind ft):	0		



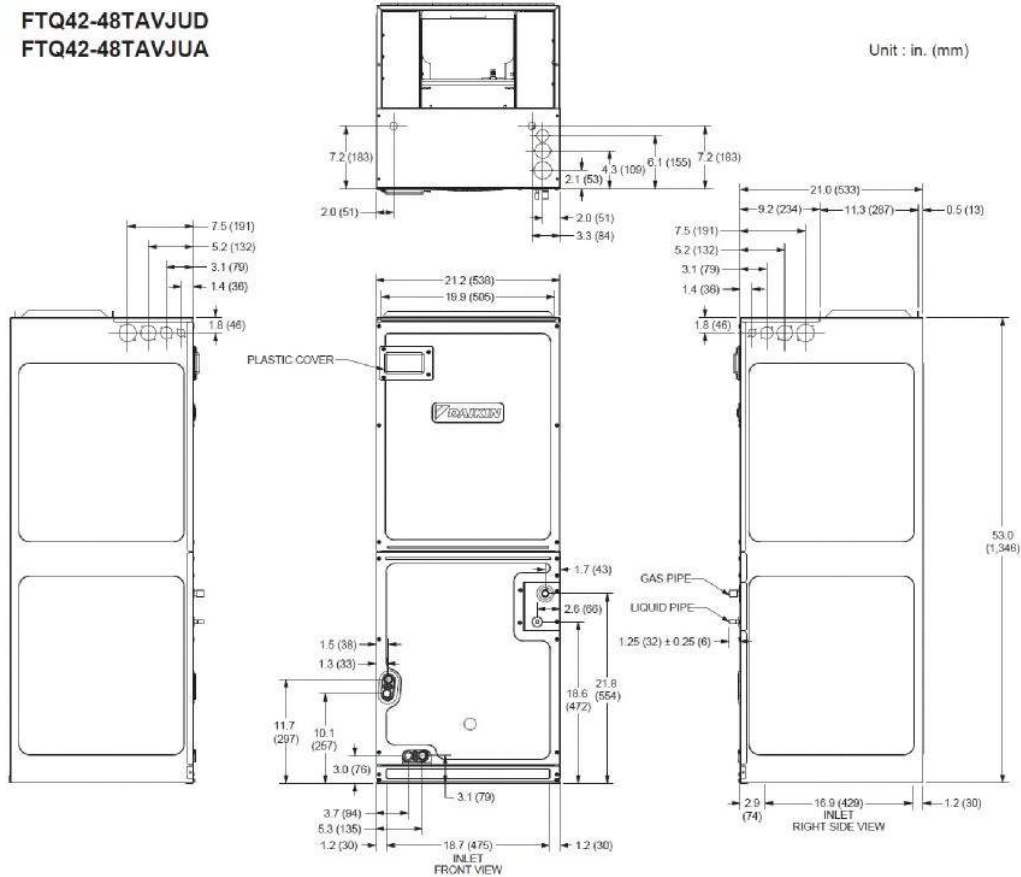
## Submittal Data Sheet

3.5-Ton Multi-Position Air Handler Cooling Only  
FTQ42TAVJUDRZR42TAVJU

### INDOOR UNIT DETAILS

Power Supply (V/Hz/Ph):	208/230 / 60 / 1	Airflow Rate (H) (CFM):	1400
Power Supply Connections:	L1, L2, Ground	Moisture Removal (Gal/hr):	
Min. Circuit Amps MCA (A):	6.5	Gas Pipe Connection (inch):	5/8
Max Overcurrent Protection (MOP) (A):	15	Liquid Pipe Connection (inch):	3/8
Dimensions (HxWxD) (in):	53.43 x 21 x 21	Condensate Connection (inch):	3/4
Net Weight (lb):	150	Sound Pressure (H/M/L) (dBA):	54 / 50 / 46
Ext. Static Pressure (Rated/Max) (inWg):	/ 0.9	Sound Power Level (dBA):	

### DIMENSIONAL DRAWING - INDOOR UNIT



Daikin North America LLC, 5151 San Felipe, Suite 500, Houston, TX, 77056

Daikin City Generated Submittal Data

[www.daikinac.com](http://www.daikinac.com) [www.daikincomfort.com](http://www.daikincomfort.com)

(Daikin's products are subject to continuous improvements. Daikin reserves the right to modify product design, specifications and information in this data sheet without notice and without incurring any obligations)

Submittal Date: 6/3/2019 3:37:10 PM

Page 3 of 4

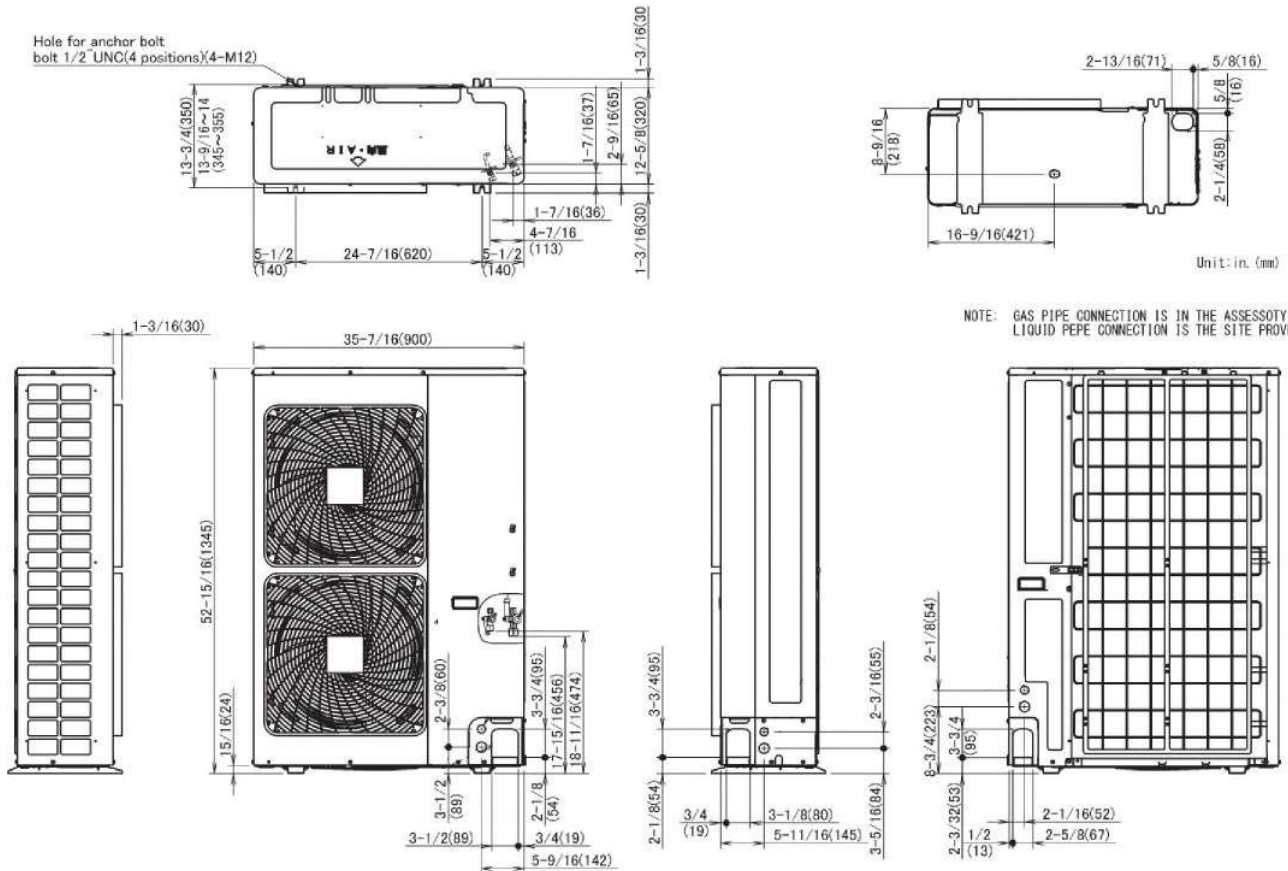


## Submittal Data Sheet

3.5-Ton Multi-Position Air Handler Cooling Only  
FTQ42TAVJUDRZR42TAVJU

### OUTDOOR UNIT DETAILS

Power Supply (V/Hz/Ph):	208-230 / 60 / 1	Compressor Stage:	
Power Supply Connections:	L1, L2, Ground	Capacity Control Range (%):	14 - 100
Min. Circuit Amps MCA (A):	29.1	Airflow Rate (H) (CFM):	3741
Max Overcurrent Protection (MOP) (A):	35	Gas Pipe Connection (inch):	5/8
Max Starting Current MSC(A):		Liquid Pipe Connection (inch):	3/8
Rated Load Amps RLA(A):	19	Sound Pressure (H) (dBA):	57
Dimensions (HxWxD) (in):	52-15/16 x 35-7/16 x 12-5/8	Sound Power Level (dBA):	
Net Weight (lb):	225		





## Submittal Data Sheet

4.0-Ton Multi-Position Air Handler Cooling Only  
FTQ48TAVJUDRZR48TAVJU

### FEATURES

- Designed for zero clearance on three sides and only 24" clearance on the front for space
- Horizontal left, Horizontal right, Upflow and Downflow installation configurations

### INDOOR UNIT



### OUTDOOR UNIT





## Submittal Data Sheet

4.0-Ton Multi-Position Air Handler Cooling Only  
FTQ48TAVJUDRZR48TAVJU

### SYSTEM PERFORMANCE

Indoor Unit Model No.	FTQ48TAVJUD	Indoor Unit Name:	air handler
Outdoor Unit Model No.	RZR48TAVJU	Outdoor Unit Name:	Sky-Air 4.0 Ton Cooling Only ODU
Rated Cooling Capacity (Btu/hr):	48,000	Rated Cooling Conditions:	Indoor (°F DB/WB): 80 / 67 Ambient (°F DB/WB): 95 / 75
Sensible Capacity (Btu/hr):	35,000	Rated Piping Length(ft):	25
Max/Min Cooling Capacity (Btu/hr):	/	Rated Height Difference (ft):	0.00
Cooling Input Power (kW):			
SEER (Non-Ducted/Ducted):	/ 14.80		
EER (Non-Ducted/Ducted):	/ 9.50		
Heating Input Power (kW):	0.52		

### SYSTEM DETAILS

Refrigerant Type:	R-410A	Cooling Operation Range (°F DB):	23 - 122
Holding Refrigerant Charge (lbs):	7.9	Heating Operation Range (°F WB):	-
Additional Charge (lb/ft):	0.04	Max. Pipe Length (Vertical) (ft):	98
Pre-charge Piping (Length) (ft):	15	Cooling Range w/Baffle (°F DB):	0 - 122
Max. Pipe Length (Total) (ft):	230	Heating Range w/Baffle (°F WB):	-
Max Height Separation (Ind to Ind ft):	0		



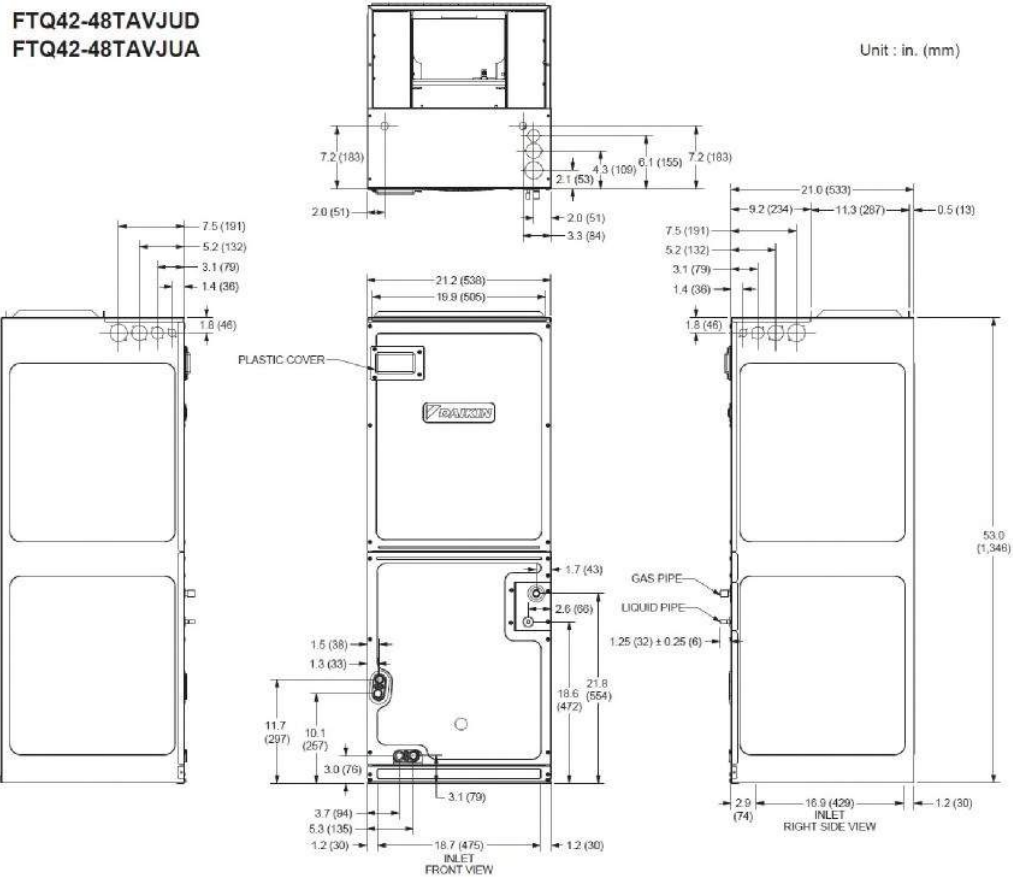
## Submittal Data Sheet

4.0-Ton Multi-Position Air Handler Cooling Only  
FTQ48TAVJUDRZR48TAVJU

### INDOOR UNIT DETAILS

Power Supply (V/Hz/Ph):	208/230 / 60 / 1	Airflow Rate (H) (CFM):	1520
Power Supply Connections:	L1, L2, Ground	Moisture Removal (Gal/hr):	
Min. Circuit Amps MCA (A):	6.5	Gas Pipe Connection (inch):	5/8
Max Overcurrent Protection (MOP) (A):	15	Liquid Pipe Connection (inch):	3/8
Dimensions (HxWxD) (in):	53.43 x 21 x 21	Condensate Connection (inch):	3/4
Net Weight (lb):	150	Sound Pressure (H/M/L) (dBA):	54 / 50 / 46
Ext. Static Pressure (Rated/Max) (inWg):	/ 0.9	Sound Power Level (dBA):	

### DIMENSIONAL DRAWING - INDOOR UNIT



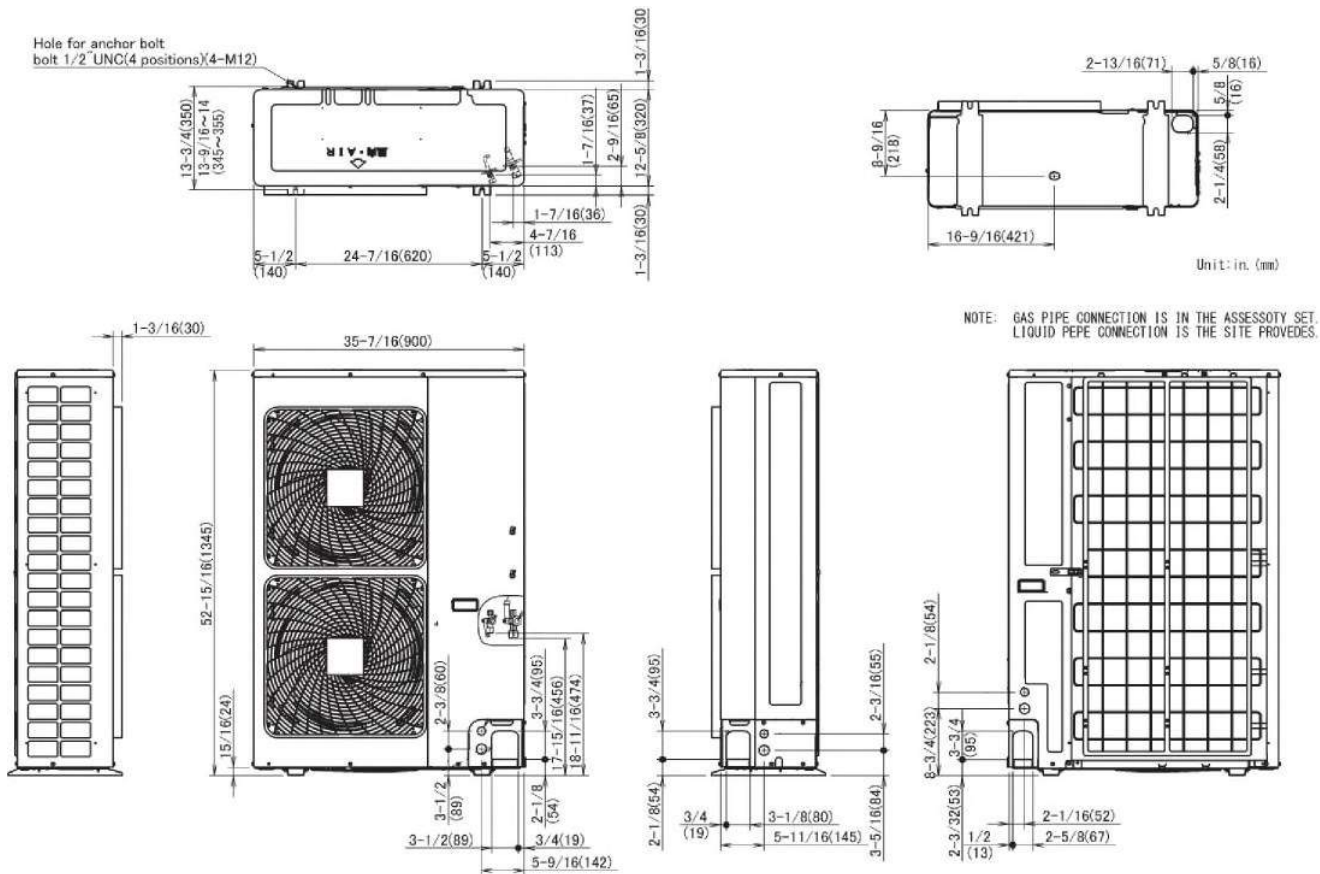


## Submittal Data Sheet

4.0-Ton Multi-Position Air Handler Cooling Only  
FTQ48TAVJUDRZR48TAVJU

### OUTDOOR UNIT DETAILS

Power Supply (V/Hz/Ph):	208-230 / 60 / 1	Compressor Stage:	
Power Supply Connections:	L1, L2, Ground	Capacity Control Range (%):	14 - 100
Min. Circuit Amps MCA (A):	29.1	Airflow Rate (H) (CFM):	3741
Max Overcurrent Protection (MOP) (A):	35	Gas Pipe Connection (inch):	5/8
Max Starting Current MSC(A):		Liquid Pipe Connection (inch):	3/8
Rated Load Amps RLA(A):	19	Sound Pressure (H) (dBA):	57
Dimensions (HxWxD) (in):	52-15/16 x 35-7/16 x 12-5/8	Sound Power Level (dBA):	
Net Weight (lb):	225		







## Submittal Data Sheet

1.5-Ton Multi-Position Air Handler  
FTQ18TAVJUDRZQ18TAVJU

### FEATURES

- Designed for zero clearance on three sides and only 24" clearance on the front for service
- Horizontal left, Horizontal right, Upflow & Downflow installation configurations

### INDOOR UNIT



### OUTDOOR UNIT





## Submittal Data Sheet

1.5-Ton Multi-Position Air Handler  
FTQ18TAVJUDRZQ18TAVJU

### SYSTEM PERFORMANCE

Indoor Unit Model No.	FTQ18TAVJUD	Indoor Unit Name:	air handler
Outdoor Unit Model No.	RZQ18TAVJU	Outdoor Unit Name:	Sky-Air 1.5 Ton Heat Pump ODU
Rated Cooling Capacity (Btu/hr):	18,000	Rated Cooling Conditions:	Indoor (°F DB/WB): 80 / 67 Ambient (°F DB/WB): 95 / 75
Sensible Capacity (Btu/hr):	12,700	Rated Piping Length(ft):	25
Max/Min Cooling Capacity (Btu/hr):	/	Rated Height Difference (ft):	0.00
Cooling Input Power (kW):		Rated Heating Conditions:	Indoor (°F DB/WB): 70 / 60 Ambient (°F DB/WB): 47 / 43
SEER (Non-Ducted/Ducted):	/ 15.50		
EER (Non-Ducted/Ducted):	/ 12.50		
Rated Heating Capacity (Btu/hr):	20,000		
Heating Input Power (kW):	0.22		

### SYSTEM DETAILS

Refrigerant Type:	R-410A	Cooling Operation Range (°F DB):	23 - 122
Holding Refrigerant Charge (lbs):	6.4	Heating Operation Range (°F WB):	-4 - 60
Additional Charge (lb/ft):	0.04	Max. Pipe Length (Vertical) (ft):	98
Pre-charge Piping (Length) (ft):	15	Cooling Range w/Baffle (°F DB):	0 - 122
Max. Pipe Length (Total) (ft):	164	Heating Range w/Baffle (°F WB):	-
Max Height Separation (Ind to Ind ft):	0		



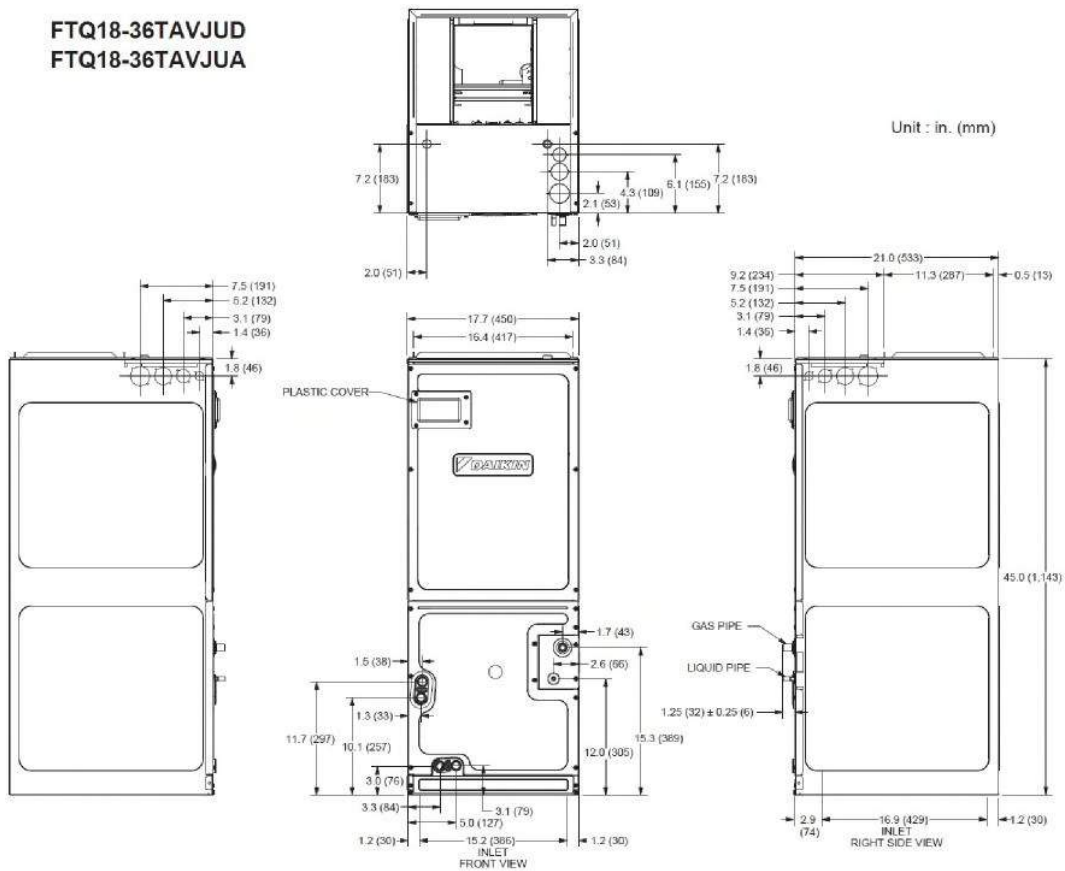
## Submittal Data Sheet

1.5-Ton Multi-Position Air Handler  
FTQ18TAVJUDRZQ18TAVJU

### INDOOR UNIT DETAILS

Power Supply (V/Hz/Ph):	208/230 / 60 / 1	Airflow Rate (H) (CFM):	600
Power Supply Connections:	L1,L2, Ground	Moisture Removal (Gal/hr):	
Min. Circuit Amps MCA (A):	4.9	Gas Pipe Connection (inch):	5/8
Max Overcurrent Protection (MOP) (A):	15	Liquid Pipe Connection (inch):	3/8
Dimensions (HxWxD) (in):	45 x 17.5 x 21	Condensate Connection (inch):	3/4
Net Weight (lb):	115	Sound Pressure (H/M/L) (dBA):	53/50/47
Ext. Static Pressure (Rated/Max) (inWg):	/ 0.9	Sound Power Level (dBA):	

### DIMENSIONAL DRAWING - INDOOR UNIT





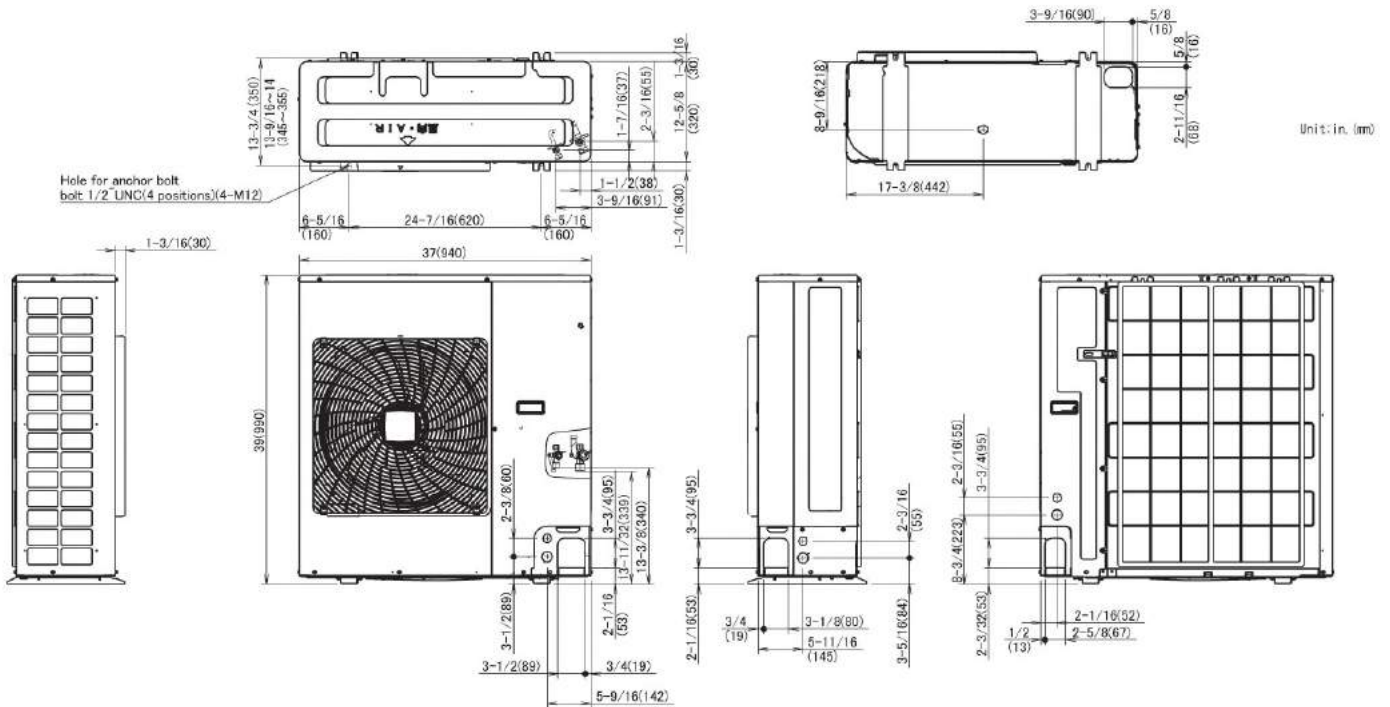
## Submittal Data Sheet

1.5-Ton Multi-Position Air Handler  
FTQ18TAVJUDRZQ18TAVJU

### OUTDOOR UNIT DETAILS

Power Supply (V/Hz/Ph):	208-230 / 60 / 1	Compressor Stage:	
Power Supply Connections:	L1, L2, Ground	Capacity Control Range (%):	14 - 100
Min. Circuit Amps MCA (A):	16.5	Airflow Rate (H) (CFM):	2682
Max Overcurrent Protection (MOP) (A):	25	Gas Pipe Connection (inch):	5/8
Max Starting Current MSC(A):		Liquid Pipe Connection (inch):	3/8
Rated Load Amps RLA(A):		Sound Pressure (H) (dBA):	58
Dimensions (HxWxD) (in):	39 x 37 x 12-5/8	Sound Power Level (dBA):	
Net Weight (lb):	172		

### DIMENSIONAL DRAWING - OUTDOOR UNIT



Daikin North America LLC, 5151 San Felipe, Suite 500, Houston, TX, 77056

Daikin City Generated Submittal Data

[www.daikinac.com](http://www.daikinac.com) [www.daikincomfort.com](http://www.daikincomfort.com)

(Daikin's products are subject to continuous improvements. Daikin reserves the right to modify product design, specifications and information in this data sheet without notice and without incurring any obligations)

Submittal Date: 6/3/2019 11:05:20 AM

Page 4 of 4



## Submittal Data Sheet

2.0-Ton Multi-Position Air Handler  
FTQ24TAVJUDRZQ24TAVJU

### FEATURES

- Designed for zero clearance on three sides and only 24" clearance on the front for service
- Horizontal left, Horizontal right, Upflow & Downflow installation configurations

### INDOOR UNIT



### OUTDOOR UNIT





## Submittal Data Sheet

2.0-Ton Multi-Position Air Handler

FTQ24TAVJUDRZQ24TAVJU

### SYSTEM PERFORMANCE

Indoor Unit Model No.	FTQ24TAVJUD	Indoor Unit Name:	air handler
Outdoor Unit Model No.	RZQ24TAVJU	Outdoor Unit Name:	Sky-Air 2.0 Ton Heat Pump ODU
Rated Cooling Capacity (Btu/hr):	24,000	Rated Cooling Conditions:	Indoor (°F DB/WB): 80 / 67 Ambient (°F DB/WB): 95 / 75
Sensible Capacity (Btu/hr):	16,900	Rated Piping Length(ft):	25
Max/Min Cooling Capacity (Btu/hr):	/	Rated Height Difference (ft):	0.00
Cooling Input Power (kW):		Rated Heating Conditions:	Indoor (°F DB/WB): 70 / 60 Ambient (°F DB/WB): 47 / 43
SEER (Non-Ducted/Ducted):	/ 15.20		
EER (Non-Ducted/Ducted):	/ 10.30		
Rated Heating Capacity (Btu/hr):	27,000		
Heating Input Power (kW):	0.27		

### SYSTEM DETAILS

Refrigerant Type:	R-410A	Cooling Operation Range (°F DB):	23 - 122
Holding Refrigerant Charge (lbs):	6.4	Heating Operation Range (°F WB):	-4 - 60
Additional Charge (lb/ft):	0.04	Max. Pipe Length (Vertical) (ft):	98
Pre-charge Piping (Length) (ft):	15	Cooling Range w/Baffle (°F DB):	0 - 122
Max. Pipe Length (Total) (ft):	164	Heating Range w/Baffle (°F WB):	-
Max Height Separation (Ind to Ind ft):	0		

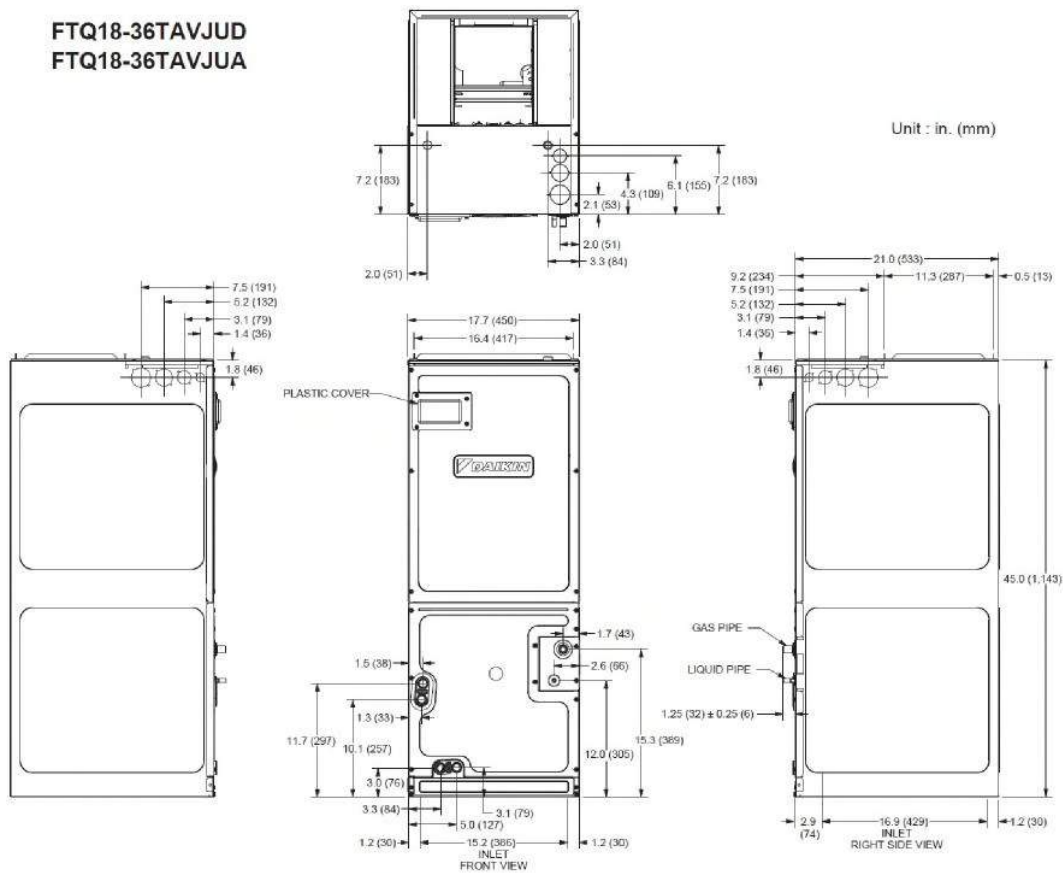


**Submittal Data Sheet**  
 2.0-Ton Multi-Position Air Handler  
 FTQ24TAVJUDRZQ24TAVJU

**INDOOR UNIT DETAILS**

Power Supply (V/Hz/Ph):	208/230 / 60 / 1	Airflow Rate (H) (CFM):	800
Power Supply Connections:	L1, L2, Ground	Moisture Removal (Gal/hr):	
Min. Circuit Amps MCA (A):	4.9	Gas Pipe Connection (inch):	5/8
Max Overcurrent Protection (MOP) (A):	15	Liquid Pipe Connection (inch):	3/8
Dimensions (HxWxD) (in):	45 x 17.5 x 21	Condensate Connection (inch):	3/4
Net Weight (lb):	115	Sound Pressure (H/M/L) (dBA):	45 / 41 / 38
Ext. Static Pressure (Rated/Max) (inWg):	/ 0.9	Sound Power Level (dBA):	

**DIMENSIONAL DRAWING - INDOOR UNIT**





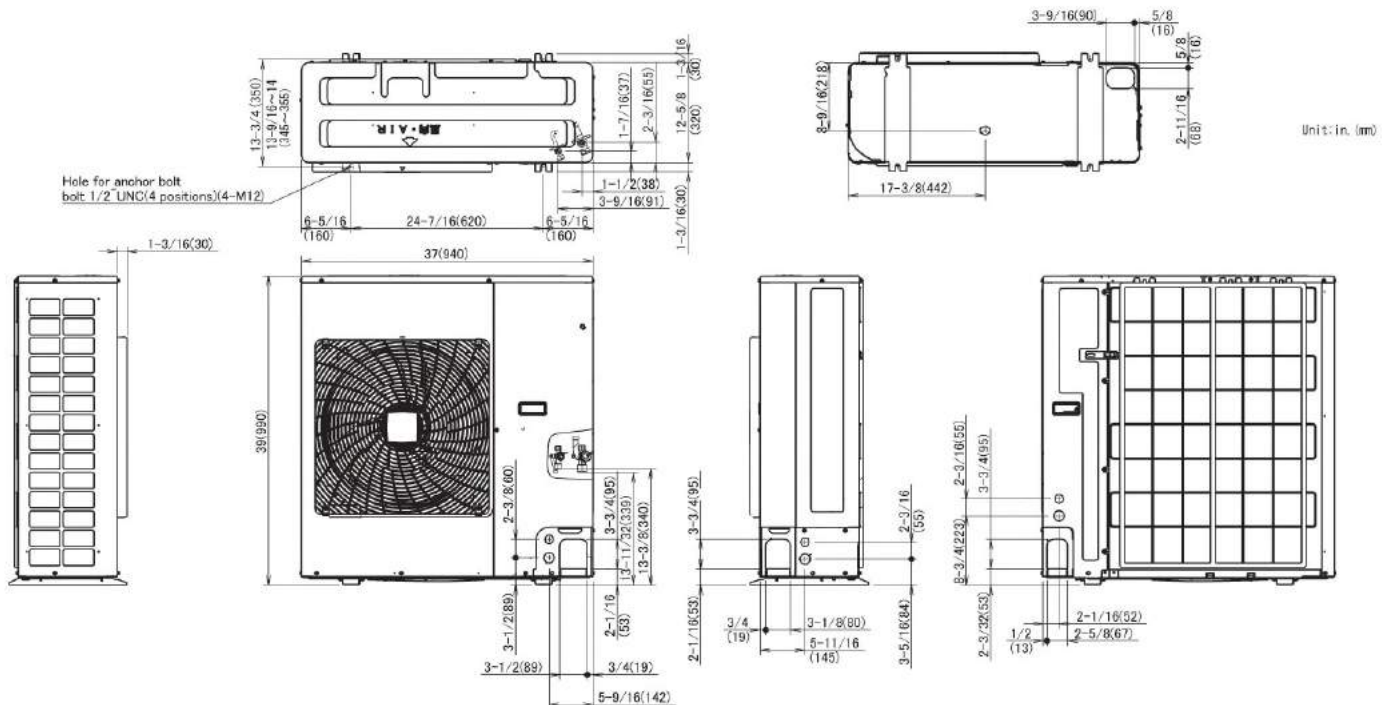
## Submittal Data Sheet

2.0-Ton Multi-Position Air Handler  
FTQ24TAVJUDRZQ24TAVJU

### OUTDOOR UNIT DETAILS

Power Supply (V/Hz/Ph):	208-230 / 60 / 1	Compressor Stage:	
Power Supply Connections:	L1, L2, Ground	Capacity Control Range (%):	14 - 100
Min. Circuit Amps MCA (A):	16.5	Airflow Rate (H) (CFM):	2862
Max Overcurrent Protection (MOP) (A):	25	Gas Pipe Connection (inch):	5/8
Max Starting Current MSC(A):		Liquid Pipe Connection (inch):	3/8
Rated Load Amps RLA(A):		Sound Pressure (H) (dBA):	58
Dimensions (HxWxD) (in):	39 x 37 x 12-5/8	Sound Power Level (dBA):	
Net Weight (lb):	172		

### DIMENSIONAL DRAWING - OUTDOOR UNIT







## Submittal Data Sheet

2.5-Ton Multi-Position Air Handler  
FTQ30TAVJUDRZQ30TAVJU

### FEATURES

- Designed for zero clearance on three sides and only 24" clearance on the front for service
- Horizontal left, Horizontal right, Upflow & Downflow installation configurations
- Factory installed disconnect switch

### INDOOR UNIT



### OUTDOOR UNIT





## Submittal Data Sheet

2.5-Ton Multi-Position Air Handler

FTQ30TAVJUDRZQ30TAVJU

### SYSTEM PERFORMANCE

Indoor Unit Model No.	FTQ30TAVJUD	Indoor Unit Name:	air handler
Outdoor Unit Model No.	RZQ30TAVJU	Outdoor Unit Name:	Sky-Air 2.5 Ton Heat Pump ODU
Rated Cooling Capacity (Btu/hr):	30,000	Rated Cooling Conditions:	Indoor (°F DB/WB): 80 / 67 Ambient (°F DB/WB): 95 / 75
Sensible Capacity (Btu/hr):	21,400	Rated Piping Length(ft):	25
Max/Min Cooling Capacity (Btu/hr):	/	Rated Height Difference (ft):	0.00
Cooling Input Power (kW):		Rated Heating Conditions:	Indoor (°F DB/WB): 70 / 60 Ambient (°F DB/WB): 47 / 43
SEER (Non-Ducted/Ducted):	/ 16.00		
EER (Non-Ducted/Ducted):	/ 12.50		
Rated Heating Capacity (Btu/hr):	34,000		
Heating Input Power (kW):	0.41		

### SYSTEM DETAILS

Refrigerant Type:	R-410A	Cooling Operation Range (°F DB):	23 - 122
Holding Refrigerant Charge (lbs):	7.9	Heating Operation Range (°F WB):	-4 - 60
Additional Charge (lb/ft):	0.04	Max. Pipe Length (Vertical) (ft):	98
Pre-charge Piping (Length) (ft):	15	Cooling Range w/Baffle (°F DB):	0 - 122
Max. Pipe Length (Total) (ft):	230	Heating Range w/Baffle (°F WB):	-
Max Height Separation (Ind to Ind ft):	0		

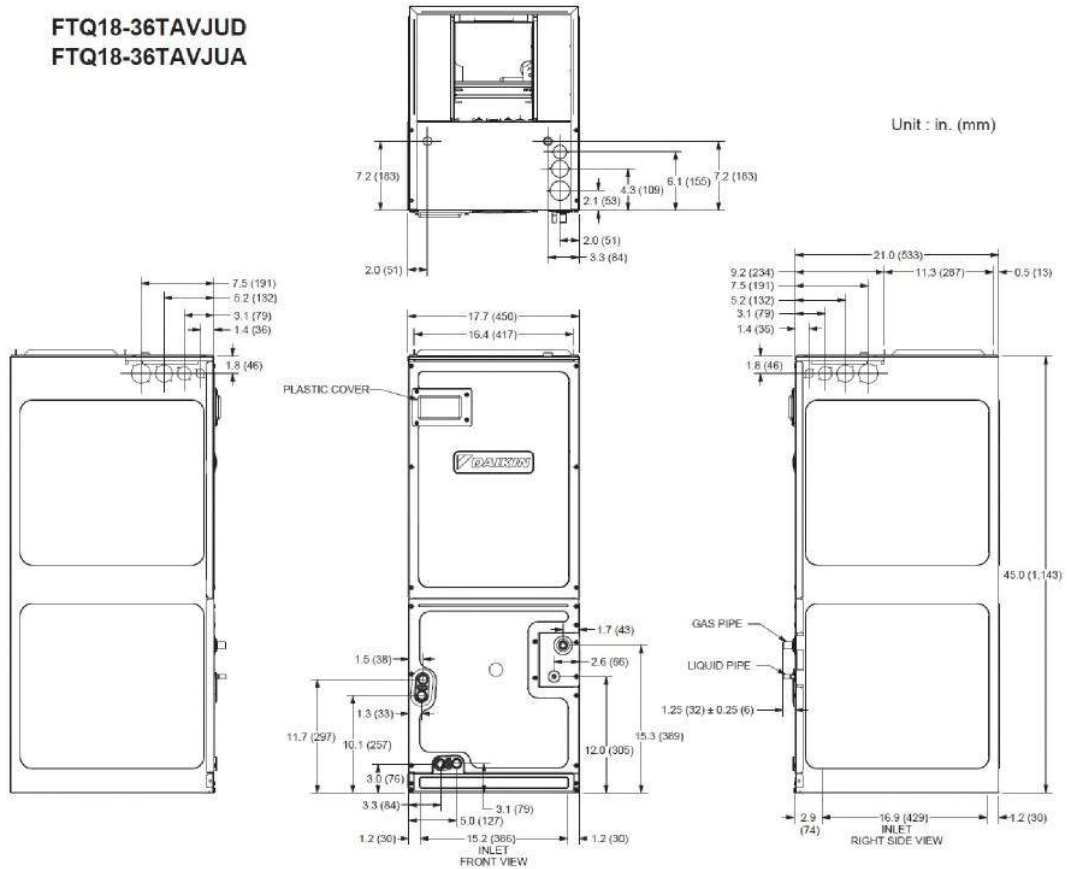


**Submittal Data Sheet**  
 2.5-Ton Multi-Position Air Handler  
 FTQ30TAVJUDRZQ30TAVJU

**INDOOR UNIT DETAILS**

Power Supply (V/Hz/Ph):	208/230 / 60 / 1	Airflow Rate (H) (CFM):	1000
Power Supply Connections:	L1, L2, Ground	Moisture Removal (Gal/hr):	
Min. Circuit Amps MCA (A):	4.9	Gas Pipe Connection (inch):	5/8
Max Overcurrent Protection (MOP) (A):	15	Liquid Pipe Connection (inch):	3/8
Dimensions (HxWxD) (in):	x 17.5 x 21	Condensate Connection (inch):	3/4
Net Weight (lb):	115	Sound Pressure (H/M/L) (dBA):	52 / 48 / 44
Ext. Static Pressure (Rated/Max) (inWg):	/ 0.9	Sound Power Level (dBA):	

**DIMENSIONAL DRAWING - INDOOR UNIT**



Daikin North America LLC, 5151 San Felipe, Suite 500, Houston, TX, 77056

Daikin City Generated Submittal Data

[www.daikinac.com](http://www.daikinac.com) [www.daikincomfort.com](http://www.daikincomfort.com)

(Daikin's products are subject to continuous improvements. Daikin reserves the right to modify product design, specifications and information in this data sheet without notice and without incurring any obligations)

Submittal Date: 6/3/2019 2:48:07 PM

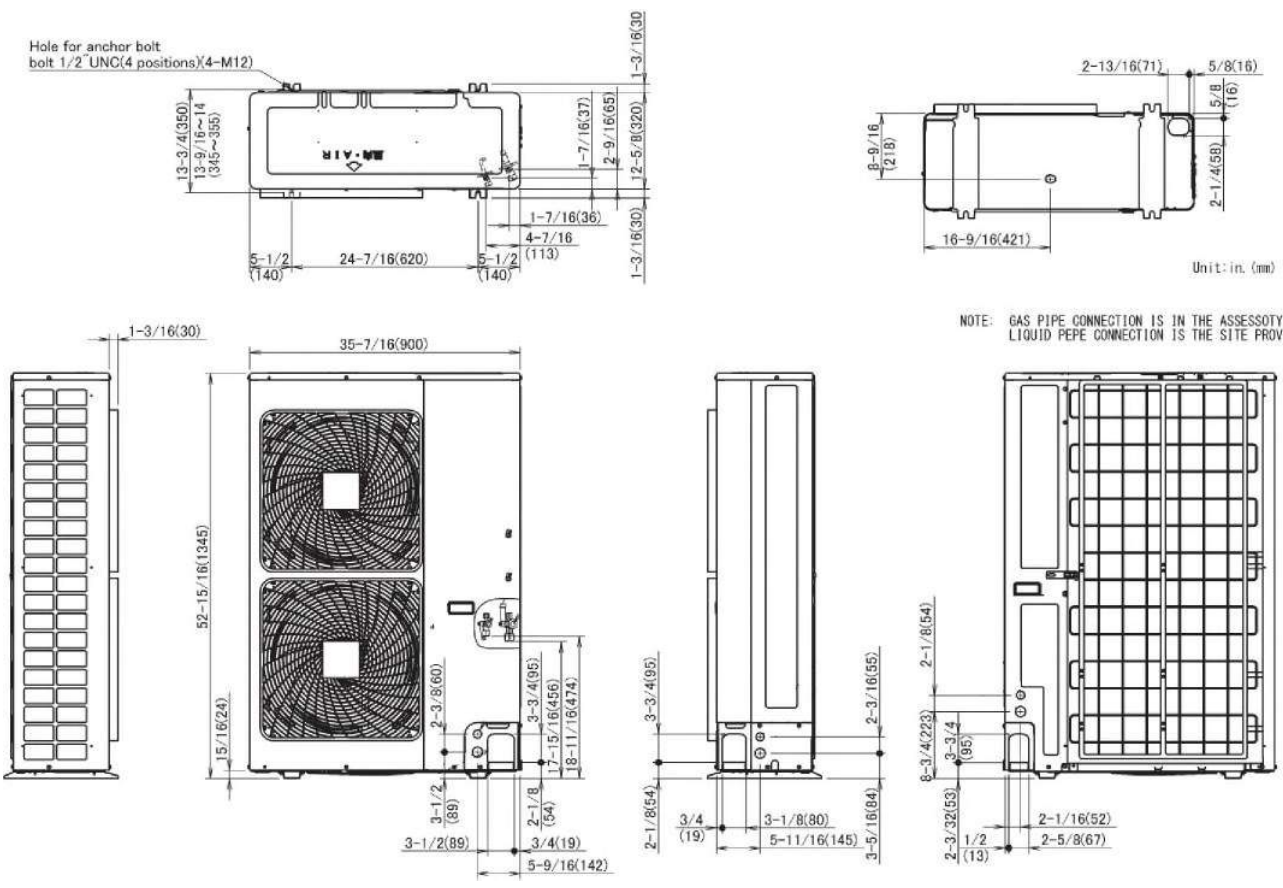
Page 3 of 4



**Submittal Data Sheet**  
**2.5-Ton Multi-Position Air Handler**  
**FTQ30TAVJUDRZQ30TAVJU**

**OUTDOOR UNIT DETAILS**

Power Supply (V/Hz/Ph):	208-230 / 60 / 1	Compressor Stage:	
Power Supply Connections:	L1, L2, Ground	Capacity Control Range (%):	14 - 100
Min. Circuit Amps MCA (A):	29.1	Airflow Rate (H) (CFM):	3741
Max Overcurrent Protection (MOP) (A):	35	Gas Pipe Connection (inch):	5/8
Max Starting Current MSC(A):		Liquid Pipe Connection (inch):	3/8
Rated Load Amps RLA(A):	19	Sound Pressure (H) (dBA):	57
Dimensions (HxWxD) (in):	52-15/16 x 35-7/16 x 12-5/8	Sound Power Level (dBA):	
Net Weight (lb):	225		





## Submittal Data Sheet

3.0-Ton Multi-Position Air Handler  
FTQ36TAVJUDRZQ36TAVJU

### FEATURES

- Designed for zero clearance on three sides and only 24" clearance on the front for service
- Horizontal left, Horizontal right, Upflow & Downflow installation configurations

### INDOOR UNIT



### OUTDOOR UNIT





## Submittal Data Sheet

3.0-Ton Multi-Position Air Handler

FTQ36TAVJUDRZQ36TAVJU

### SYSTEM PERFORMANCE

Indoor Unit Model No.	FTQ36TAVJUD	Indoor Unit Name:	air handler
Outdoor Unit Model No.	RZQ36TAVJU	Outdoor Unit Name:	Sky-Air 3.0 Ton Heat Pump ODU
Rated Cooling Capacity (Btu/hr):	36,000	Rated Cooling Conditions:	Indoor (°F DB/WB): 80 / 67 Ambient (°F DB/WB): 95 / 75
Sensible Capacity (Btu/hr):	24,400	Rated Piping Length(ft):	25
Max/Min Cooling Capacity (Btu/hr):	/	Rated Height Difference (ft):	0.00
Cooling Input Power (kW):		Rated Heating Conditions:	Indoor (°F DB/WB): 70 / 60 Ambient (°F DB/WB): 47 / 43
SEER (Non-Ducted/Ducted):	/ 15.30		
EER (Non-Ducted/Ducted):	/ 11.60		
Rated Heating Capacity (Btu/hr):	40,000		
Heating Input Power (kW):	0.44		

### SYSTEM DETAILS

Refrigerant Type:	R-410A	Cooling Operation Range (°F DB):	23 - 122
Holding Refrigerant Charge (lbs):	7.9	Heating Operation Range (°F WB):	-4 - 60
Additional Charge (lb/ft):	0.04	Max. Pipe Length (Vertical) (ft):	98
Pre-charge Piping (Length) (ft):	15	Cooling Range w/Baffle (°F DB):	0 - 122
Max. Pipe Length (Total) (ft):	230	Heating Range w/Baffle (°F WB):	-
Max Height Separation (Ind to Ind ft):	0		



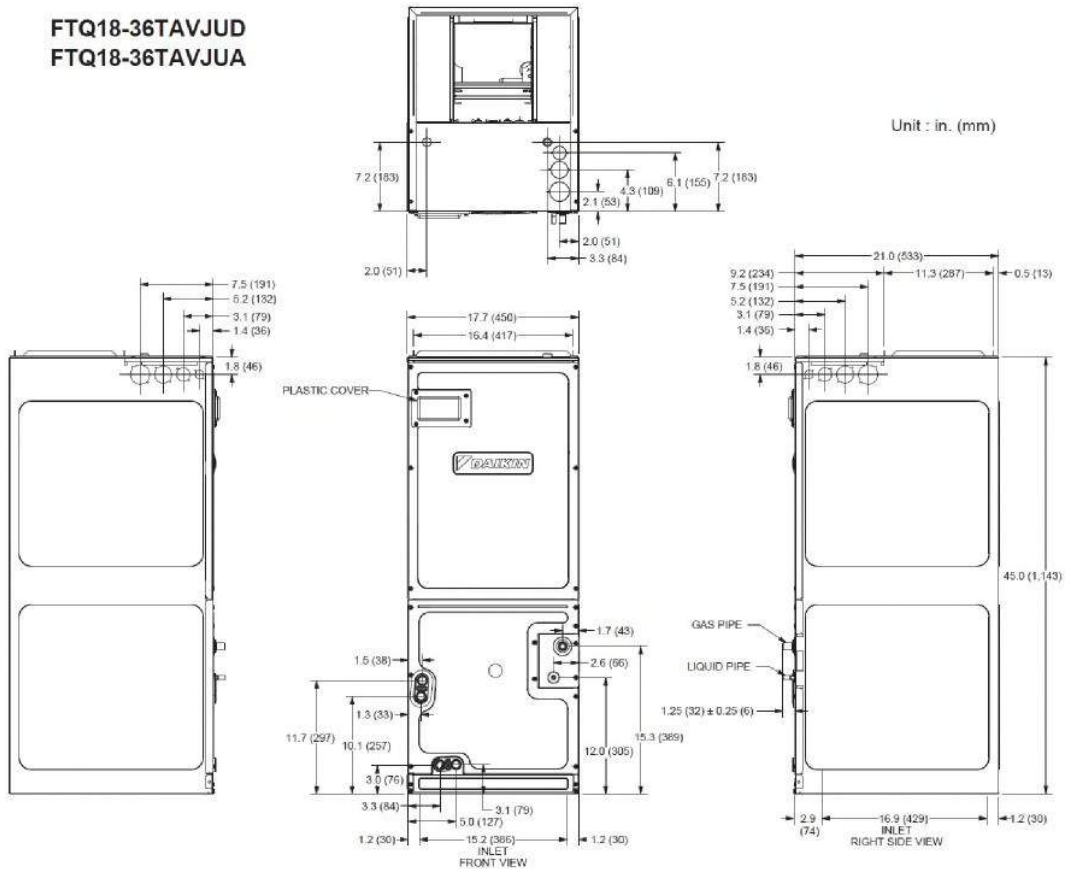
## Submittal Data Sheet

3.0-Ton Multi-Position Air Handler  
FTQ36TAVJUDRZQ36TAVJU

### INDOOR UNIT DETAILS

Power Supply (V/Hz/Ph):	208/230 / 60 / 1	Airflow Rate (H) (CFM):	1050
Power Supply Connections:	L1, L2, Ground	Moisture Removal (Gal/hr):	
Min. Circuit Amps MCA (A):	4.9	Gas Pipe Connection (inch):	5/8
Max Overcurrent Protection (MOP) (A):	15	Liquid Pipe Connection (inch):	3/8
Dimensions (HxWxD) (in):	45 x 17.5 x 21	Condensate Connection (inch):	3/4
Net Weight (lb):	140	Sound Pressure (H/M/L) (dBA):	52 / 48 / 44
Ext. Static Pressure (Rated/Max) (inWg):	/ 0.9	Sound Power Level (dBA):	

### DIMENSIONAL DRAWING - INDOOR UNIT

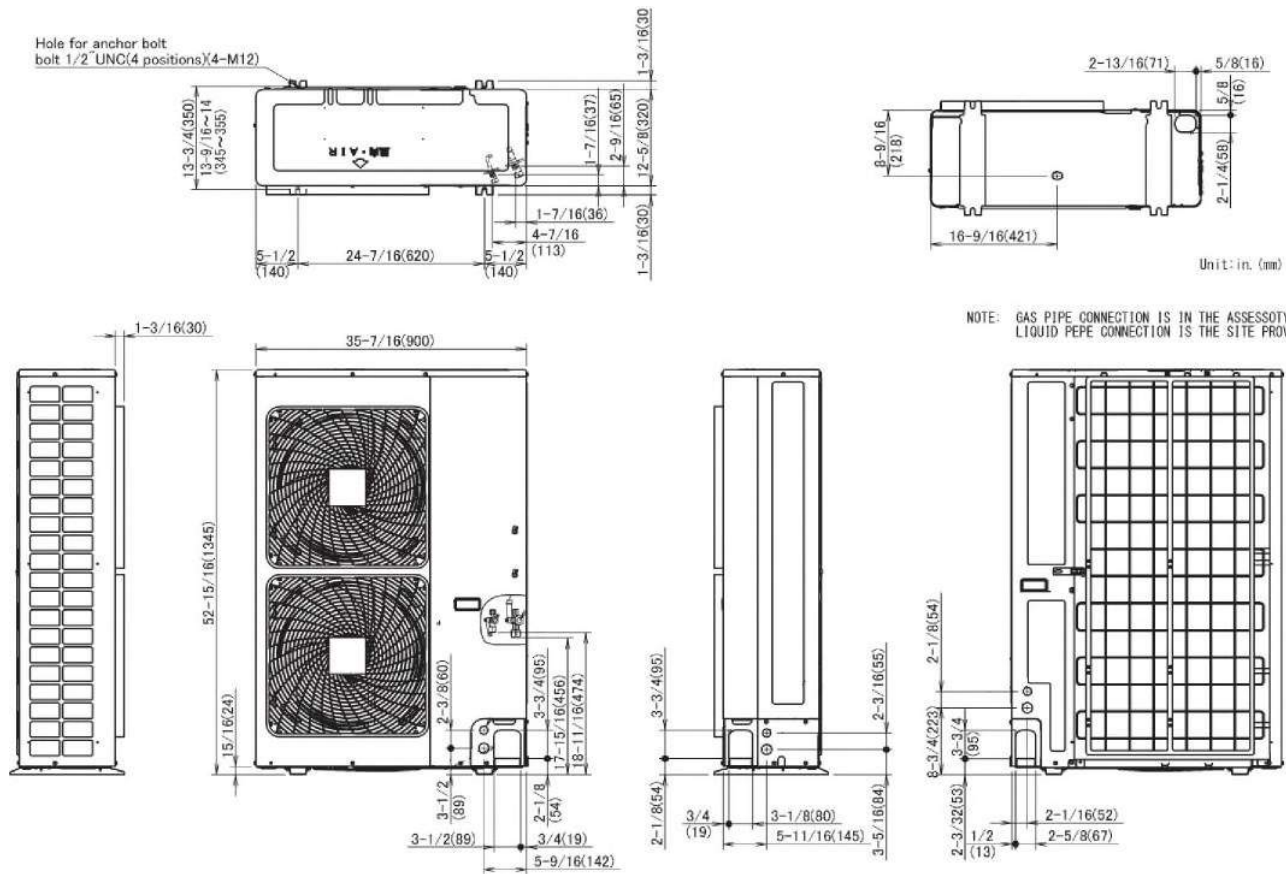




**Submittal Data Sheet**  
**3.0-Ton Multi-Position Air Handler**  
**FTQ36TAVJUDRZQ36TAVJU**

**OUTDOOR UNIT DETAILS**

Power Supply (V/Hz/Ph):	208-230 / 60 / 1	Compressor Stage:	
Power Supply Connections:	L1, L2, Ground	Capacity Control Range (%):	14 - 100
Min. Circuit Amps MCA (A):	29.1	Airflow Rate (H) (CFM):	3741
Max Overcurrent Protection (MOP) (A):	35	Gas Pipe Connection (inch):	5/8
Max Starting Current MSC(A):		Liquid Pipe Connection (inch):	3/8
Rated Load Amps RLA(A):		Sound Pressure (H) (dBA):	57
Dimensions (HxWxD) (in):	52-15/16 x 35-7/16 x 12-5/8	Sound Power Level (dBA):	
Net Weight (lb):	225		







## Submittal Data Sheet

3.5-Ton Multi-Position Air Handler  
FTQ42TAVJUDRZQ42TAVJU

### FEATURES

- Designed for zero clearance on three sides and only 24" clearance on the front for service
- Horizontal left, Horizontal right, Upflow & Downflow installation configurations

### INDOOR UNIT



### OUTDOOR UNIT





## Submittal Data Sheet

3.5-Ton Multi-Position Air Handler

FTQ42TAVJUDRZQ42TAVJU

### SYSTEM PERFORMANCE

Indoor Unit Model No.	FTQ42TAVJUD	Indoor Unit Name:	air handler
Outdoor Unit Model No.	RZQ42TAVJU	Outdoor Unit Name:	Sky-Air 3.5 Ton Heat Pump ODU
Rated Cooling Capacity (Btu/hr):	42,000	Rated Cooling Conditions:	Indoor (°F DB/WB): 80 / 67 Ambient (°F DB/WB): 95 / 75
Sensible Capacity (Btu/hr):	30,600	Rated Piping Length(ft):	25
Max/Min Cooling Capacity (Btu/hr):	/	Rated Height Difference (ft):	0.00
Cooling Input Power (kW):		Rated Heating Conditions:	Indoor (°F DB/WB): 70 / 60 Ambient (°F DB/WB): 47 / 43
SEER (Non-Ducted/Ducted):	/ 16.00		
EER (Non-Ducted/Ducted):	/ 11.00		
Rated Heating Capacity (Btu/hr):	47,000		
Heating Input Power (kW):	0.47		

### SYSTEM DETAILS

Refrigerant Type:	R-410A	Cooling Operation Range (°F DB):	23 - 122
Holding Refrigerant Charge (lbs):	7.9	Heating Operation Range (°F WB):	-4 - 60
Additional Charge (lb/ft):	0.04	Max. Pipe Length (Vertical) (ft):	98
Pre-charge Piping (Length) (ft):	15	Cooling Range w/Baffle (°F DB):	0 - 122
Max. Pipe Length (Total) (ft):	230	Heating Range w/Baffle (°F WB):	-
Max Height Separation (Ind to Ind ft):	0		



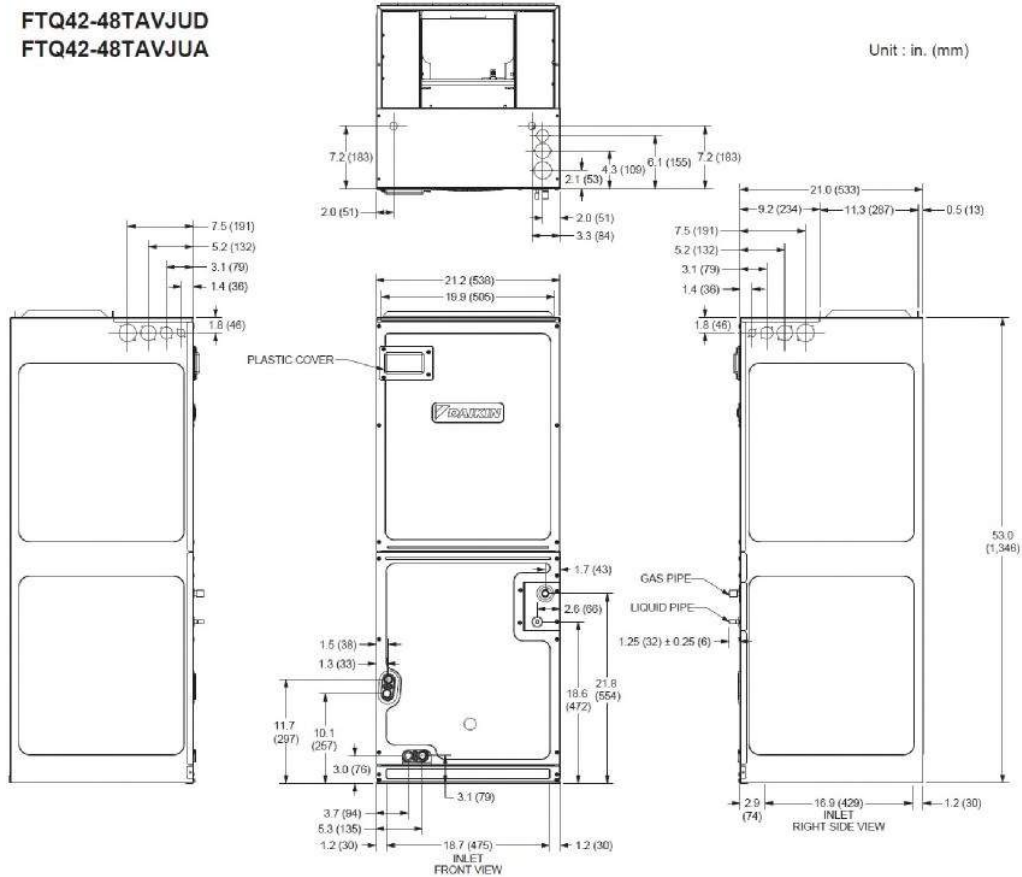
## Submittal Data Sheet

3.5-Ton Multi-Position Air Handler  
FTQ42TAVJUDRZQ42TAVJU

### INDOOR UNIT DETAILS

Power Supply (V/Hz/Ph):	208/230 / 60 / 1	Airflow Rate (H) (CFM):	1400
Power Supply Connections:	L1, L2, Ground	Moisture Removal (Gal/hr):	
Min. Circuit Amps MCA (A):	6.5	Gas Pipe Connection (inch):	5/8
Max Overcurrent Protection (MOP) (A):	15	Liquid Pipe Connection (inch):	3/8
Dimensions (HxWxD) (in):	53.43 x 21 x 21	Condensate Connection (inch):	3/4
Net Weight (lb):	150	Sound Pressure (H/M/L) (dBA):	54 / 50 / 46
Ext. Static Pressure (Rated/Max) (inWg):	/ 0.9	Sound Power Level (dBA):	

## DIMENSIONAL DRAWING - INDOOR UNIT



Daikin North America LLC, 5151 San Felipe, Suite 500, Houston, TX, 77056

Daikin City Generated Submittal Data

[www.daikinac.com](http://www.daikinac.com) [www.daikincomfort.com](http://www.daikincomfort.com)

(Daikin's products are subject to continuous improvements. Daikin reserves the right to modify product design, specifications and information in this data sheet without notice and without incurring any obligations)

Submittal Date: 3/3/2019 3:34:44 PM

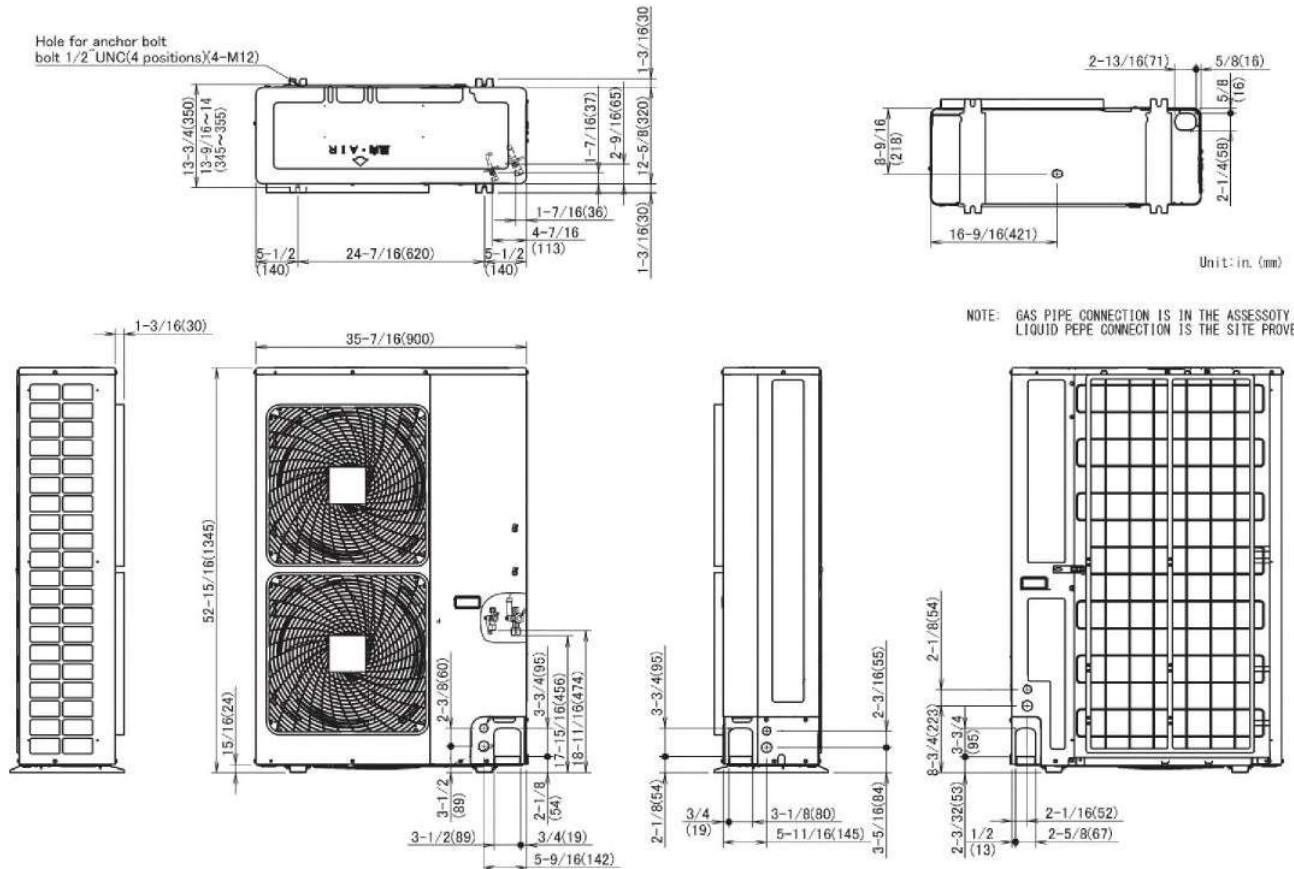
Page 3 of 4



**Submittal Data Sheet**  
 3.5-Ton Multi-Position Air Handler  
 FTQ42TAVJUDRZQ42TAVJU

**OUTDOOR UNIT DETAILS**

Power Supply (V/Hz/Ph):	208-230 / 60 / 1	Compressor Stage:	
Power Supply Connections:	L1, L2, Ground	Capacity Control Range (%):	14 - 100
Min. Circuit Amps MCA (A):	29.1	Airflow Rate (H) (CFM):	3741
Max Overcurrent Protection (MOP) (A):	35	Gas Pipe Connection (inch):	5/8
Max Starting Current MSC(A):		Liquid Pipe Connection (inch):	3/8
Rated Load Amps RLA(A):	19	Sound Pressure (H) (dBA):	57
Dimensions (HxWxD) (in):	52-15/16 x 35-7/16 x 12-5/8	Sound Power Level (dBA):	
Net Weight (lb):	225		





## Submittal Data Sheet

4.0-Ton Multi-Position Air Handler  
FTQ48TAVJUDRZQ48TAVJU

### FEATURES

- Designed for zero clearance on three sides and only 24" clearance on the front for service
- Horizontal left, Horizontal right, Upflow & Downflow installation configurations
- Factory installed disconnect switch

### INDOOR UNIT



### OUTDOOR UNIT





## Submittal Data Sheet

4.0-Ton Multi-Position Air Handler

FTQ48TAVJUDRZQ48TAVJU

### SYSTEM PERFORMANCE

Indoor Unit Model No.	FTQ48TAVJUD	Indoor Unit Name:	air handler
Outdoor Unit Model No.	RZQ48TAVJU	Outdoor Unit Name:	Sky-Air 4.0 Ton Heat Pump ODU
Rated Cooling Capacity (Btu/hr):	48,000	Rated Cooling Conditions:	Indoor (°F DB/WB): 80 / 67 Ambient (°F DB/WB): 95 / 75
Sensible Capacity (Btu/hr):	32,700	Rated Piping Length(ft):	25
Max/Min Cooling Capacity (Btu/hr):	/	Rated Height Difference (ft):	0.00
Cooling Input Power (kW):		Rated Heating Conditions:	Indoor (°F DB/WB): 70 / 60 Ambient (°F DB/WB): 47 / 43
SEER (Non-Ducted/Ducted):	/ 14.80		
EER (Non-Ducted/Ducted):	/ 9.50		
Rated Heating Capacity (Btu/hr):	54,000		
Heating Input Power (kW):	0.52		

### SYSTEM DETAILS

Refrigerant Type:	R-410A	Cooling Operation Range (°F DB):	23 - 122
Holding Refrigerant Charge (lbs):	7.9	Heating Operation Range (°F WB):	-4 - 60
Additional Charge (lb/ft):	0.04	Max. Pipe Length (Vertical) (ft):	98
Pre-charge Piping (Length) (ft):	15	Cooling Range w/Baffle (°F DB):	0 - 122
Max. Pipe Length (Total) (ft):	230	Heating Range w/Baffle (°F WB):	-
Max Height Separation (Ind to Ind ft):	0		



## Submittal Data Sheet

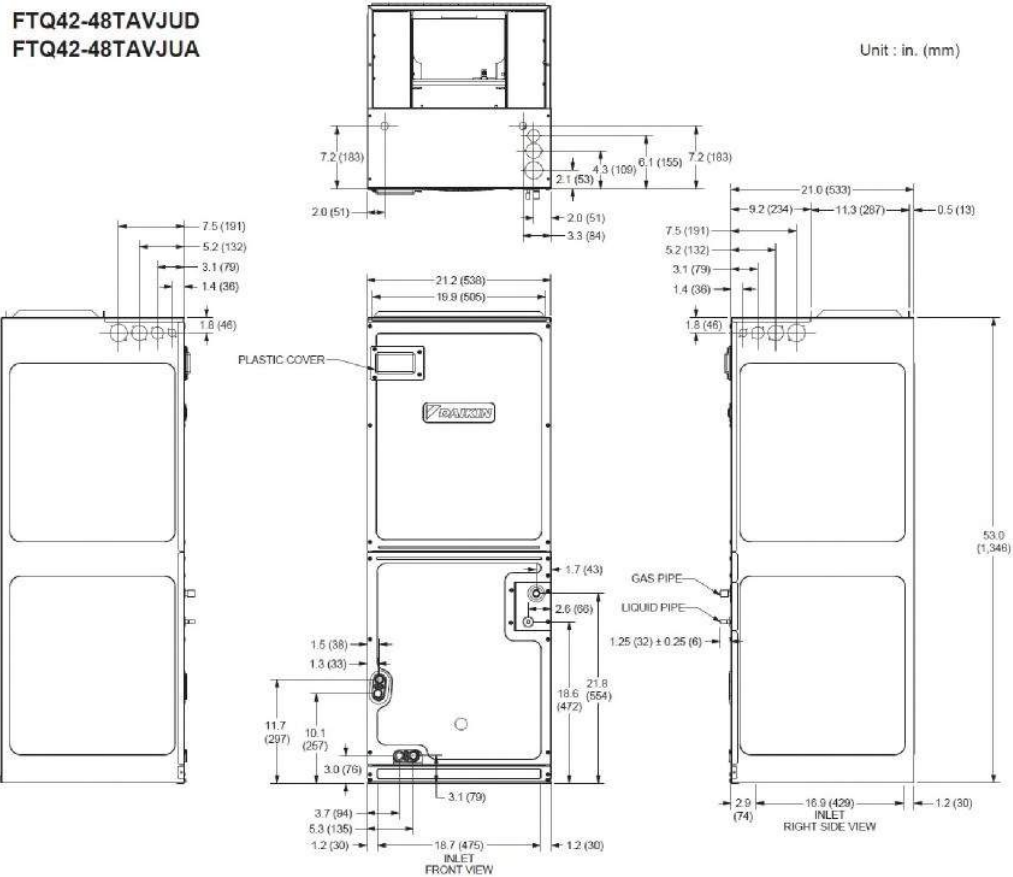
4.0-Ton Multi-Position Air Handler

FTQ48TAVJUDRZQ48TAVJU

### INDOOR UNIT DETAILS

Power Supply (V/Hz/Ph):	208/230 / 60 / 1	Airflow Rate (H) (CFM):	1520
Power Supply Connections:	L1, L2, Ground	Moisture Removal (Gal/hr):	
Min. Circuit Amps MCA (A):	6.5	Gas Pipe Connection (inch):	5/8
Max Overcurrent Protection (MOP) (A):	15	Liquid Pipe Connection (inch):	3/8
Dimensions (HxWxD) (in):	53.43 x 21 x 21	Condensate Connection (inch):	3/4
Net Weight (lb):	150	Sound Pressure (H/M/L) (dBA):	54 / 50 / 46
Ext. Static Pressure (Rated/Max) (inWg):	/ 0.9	Sound Power Level (dBA):	

## DIMENSIONAL DRAWING - INDOOR UNIT



Daikin North America LLC, 5151 San Felipe, Suite 500, Houston, TX, 77056

Daikin City Generated Submittal Data

[www.daikinac.com](http://www.daikinac.com) [www.daikincomfort.com](http://www.daikincomfort.com)

(Daikin's products are subject to continuous improvements. Daikin reserves the right to modify product design, specifications and information in this data sheet without notice and without incurring any obligations)

Submittal Date: 6/3/2019 3:57:13 PM

Page 3 of 4



## Submittal Data Sheet

4.0-Ton Multi-Position Air Handler  
FTQ48TAVJUDRZQ48TAVJU

### OUTDOOR UNIT DETAILS

Power Supply (V/Hz/Ph):	208-230 / 60 / 1	Compressor Stage:	
Power Supply Connections:	L1, L2, Ground	Capacity Control Range (%):	14 - 100
Min. Circuit Amps MCA (A):	29.1	Airflow Rate (H) (CFM):	3471
Max Overcurrent Protection (MOP) (A):	35	Gas Pipe Connection (inch):	5/8
Max Starting Current MSC(A):		Liquid Pipe Connection (inch):	3/8
Rated Load Amps RLA(A):	19	Sound Pressure (H) (dBA):	57
Dimensions (HxWxD) (in):	52-15/16 x 35-7/16 x 12-5/8	Sound Power Level (dBA):	
Net Weight (lb):	225		

