



**Submittal Data Sheet**

1.5-Ton Roundflow Sensing Cassette Cooling Only  
FCQ18TAVJURZR18TAVJU

**INDOOR UNIT**



**OUTDOOR UNIT**





## Submittal Data Sheet

1.5-Ton Roundflow Sensing Cassette Cooling Only  
FCQ18TAVJURZR18TAVJU

### SYSTEM PERFORMANCE

Indoor Unit Model No.	FCQ18TAVJU	Indoor Unit Name:	Sky-Air Round Flow Sensing Cassette
Outdoor Unit Model No.	RZR18TAVJU	Outdoor Unit Name:	Sky-Air Cooling Only ODU
Rated Cooling Capacity (Btu/hr):	18,000	Rated Cooling Conditions:	Indoor (°F DB/WB): 80 / 67 Ambient (°F DB/WB): 95 / 75
Sensible Capacity (Btu/hr):	16,100	Rated Piping Length(ft):	25
Max/Min Cooling Capacity (Btu/hr):	/	Rated Height Difference (ft):	0.00
Cooling Input Power (kW):			
SEER (Non-Ducted/Ducted):	18.60 /		
EER (Non-Ducted/Ducted):	13.00 /		

### SYSTEM DETAILS

Refrigerant Type:	R-410A	Cooling Operation Range (°F DB):	23 - 122
Holding Refrigerant Charge (lbs):	6.4	Heating Operation Range (°F WB):	-
Additional Charge (lb/ft):	0.04	Max. Pipe Length (Vertical) (ft):	98
Pre-charge Piping (Length) (ft):	15	Cooling Range w/Baffle (°F DB):	0 - 122
Max. Pipe Length (Total) (ft):	164	Heating Range w/Baffle (°F WB):	-
Max Height Separation (Ind to Ind ft):	0		

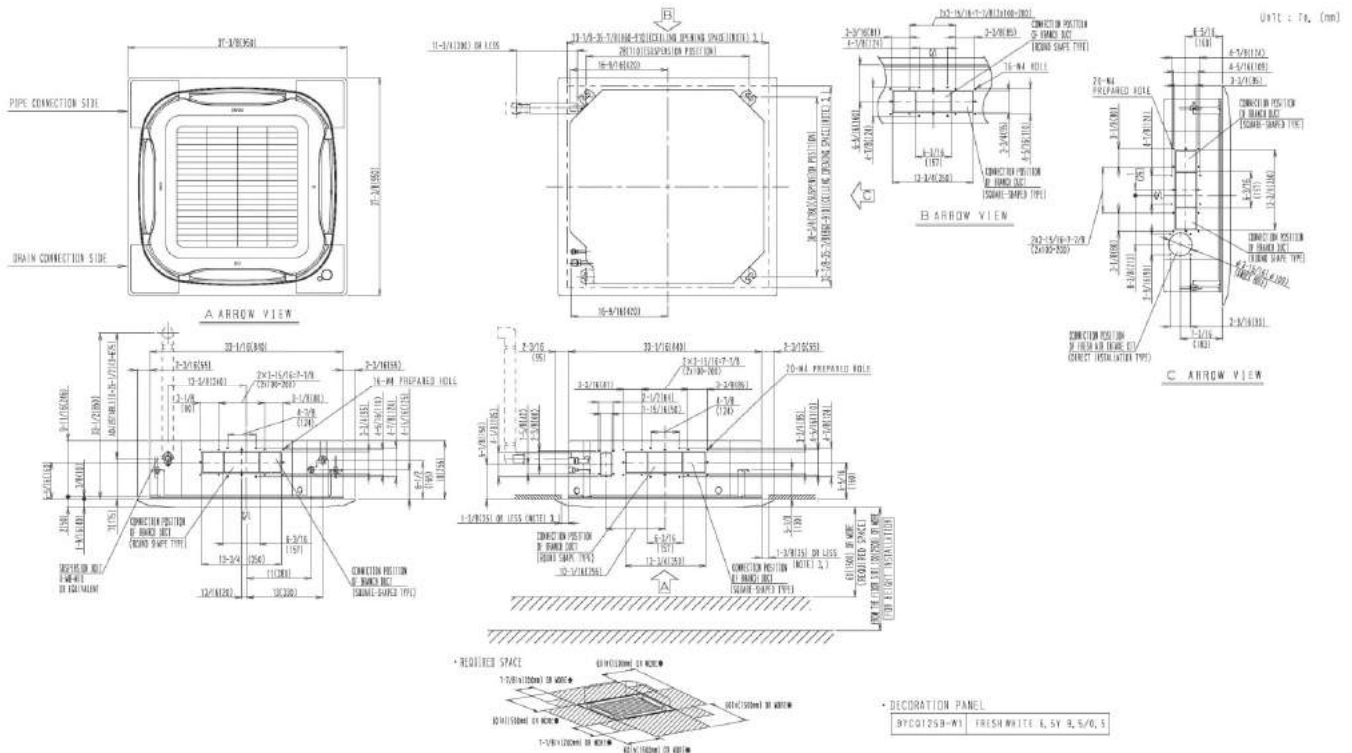


## Submittal Data Sheet

1.5-Ton Roundflow Sensing Cassette Cooling Only  
FCQ18TAVJURZR18TAVJU

### INDOOR UNIT DETAILS

Power Supply (V/Hz/Ph):	208-230 / 60 / 1	Airflow Rate (H/M/L) (CFM):	742/618/477
Power Supply Connections:	L1, L2, Ground	Moisture Removal (Gal/hr):	
Min. Circuit Amps MCA (A):	0.6	Gas Pipe Connection (inch):	5/8
Max Overcurrent Protection (MOP) (A):	15	Liquid Pipe Connection (inch):	3/8
Dimensions (HxWxD) (in):	10-11/16 x 33-1/16 x 33-1/16	Condensate Connection (inch):	1
Net Weight (lb):	63	Sound Pressure (H/M/L) (dBA):	36/32/28
Ext. Static Pressure (Rated/Max) (inWg):	/	Sound Power Level (dBA):	



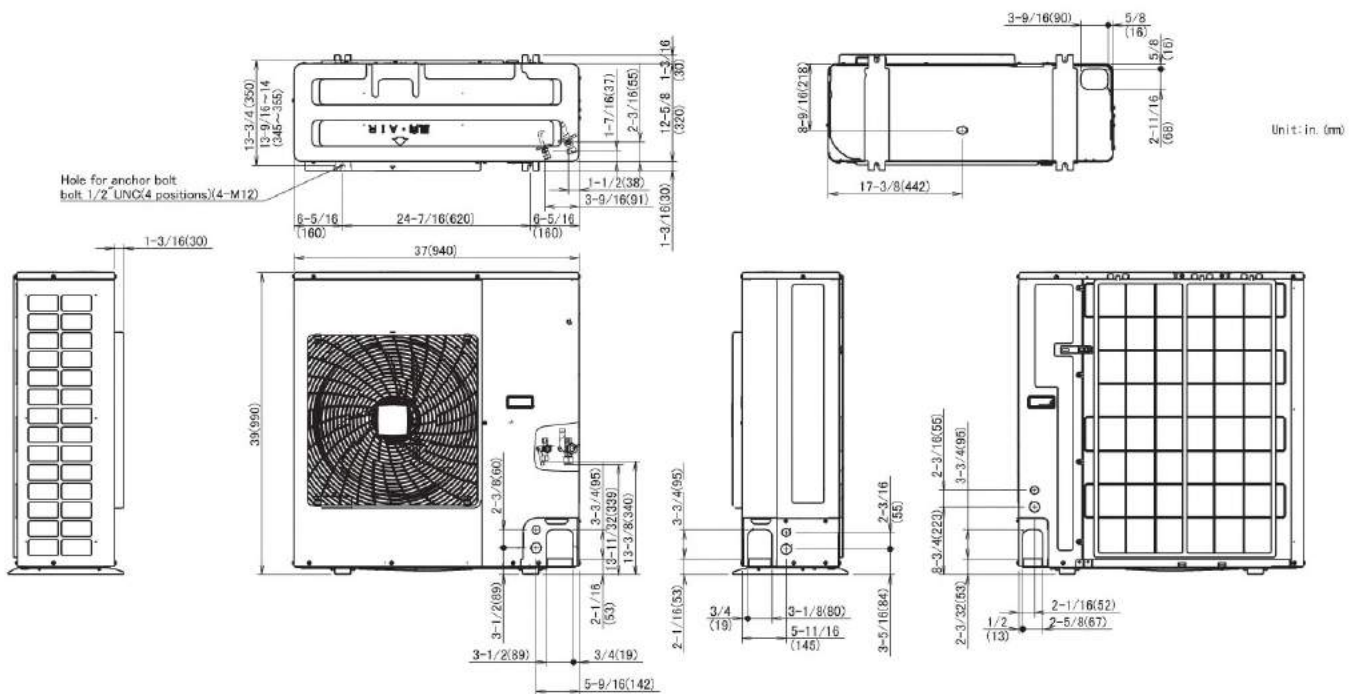


## Submittal Data Sheet

1.5-Ton Roundflow Sensing Cassette Cooling Only  
FCQ18TAVJURZR18TAVJU

### OUTDOOR UNIT DETAILS

Power Supply (V/Hz/Ph):	208-230 / 60 / 1	Compressor Stage:	
Power Supply Connections:	L1, L2, Ground	Capacity Control Range (%):	14-100
Min. Circuit Amps MCA (A):	16.5	Airflow Rate (H) (CFM):	2682
Max Overcurrent Protection (MOP) (A):	25	Gas Pipe Connection (inch):	5/8
Max Starting Current MSC(A):		Liquid Pipe Connection (inch):	3/8
Rated Load Amps RLA(A):		Sound Pressure (H) (dBA):	58
Dimensions (HxWxD) (in):	39 x 37 x 12-5/8	Sound Power Level (dBA):	
Net Weight (lb):	172		





**Submittal Data Sheet**

2.0-Ton Roundflow Sensing Cassette Cooling Only  
FCQ24TAVJURZR24TAVJU

**INDOOR UNIT**



**OUTDOOR UNIT**





## Submittal Data Sheet

2.0-Ton Roundflow Sensing Cassette Cooling Only  
FCQ24TAVJURZR24TAVJU

### SYSTEM PERFORMANCE

Indoor Unit Model No.	FCQ24TAVJU	Indoor Unit Name:	SkyAir Round Flow Sensing Cassette
Outdoor Unit Model No.	RZR24TAVJU	Outdoor Unit Name:	Sky-Air Cooling Only ODU
Rated Cooling Capacity (Btu/hr):	24,000	Rated Cooling Conditions:	Indoor (°F DB/WB): 80 / 67 Ambient (°F DB/WB): 95 / 75
Sensible Capacity (Btu/hr):	19,900	Rated Piping Length(ft):	25
Max/Min Cooling Capacity (Btu/hr):	/	Rated Height Difference (ft):	0.00
Cooling Input Power (kW):			
SEER (Non-Ducted/Ducted):	18.50 /		
EER (Non-Ducted/Ducted):	12.00 /		

### SYSTEM DETAILS

Refrigerant Type:	R-410A	Cooling Operation Range (°F DB):	23 - 122
Holding Refrigerant Charge (lbs):	6.4	Heating Operation Range (°F WB):	-
Additional Charge (lb/ft):	0.04	Max. Pipe Length (Vertical) (ft):	98
Pre-charge Piping (Length) (ft):	15	Cooling Range w/Baffle (°F DB):	0 - 122
Max. Pipe Length (Total) (ft):	164	Heating Range w/Baffle (°F WB):	-
Max Height Separation (Ind to Ind ft):	0		

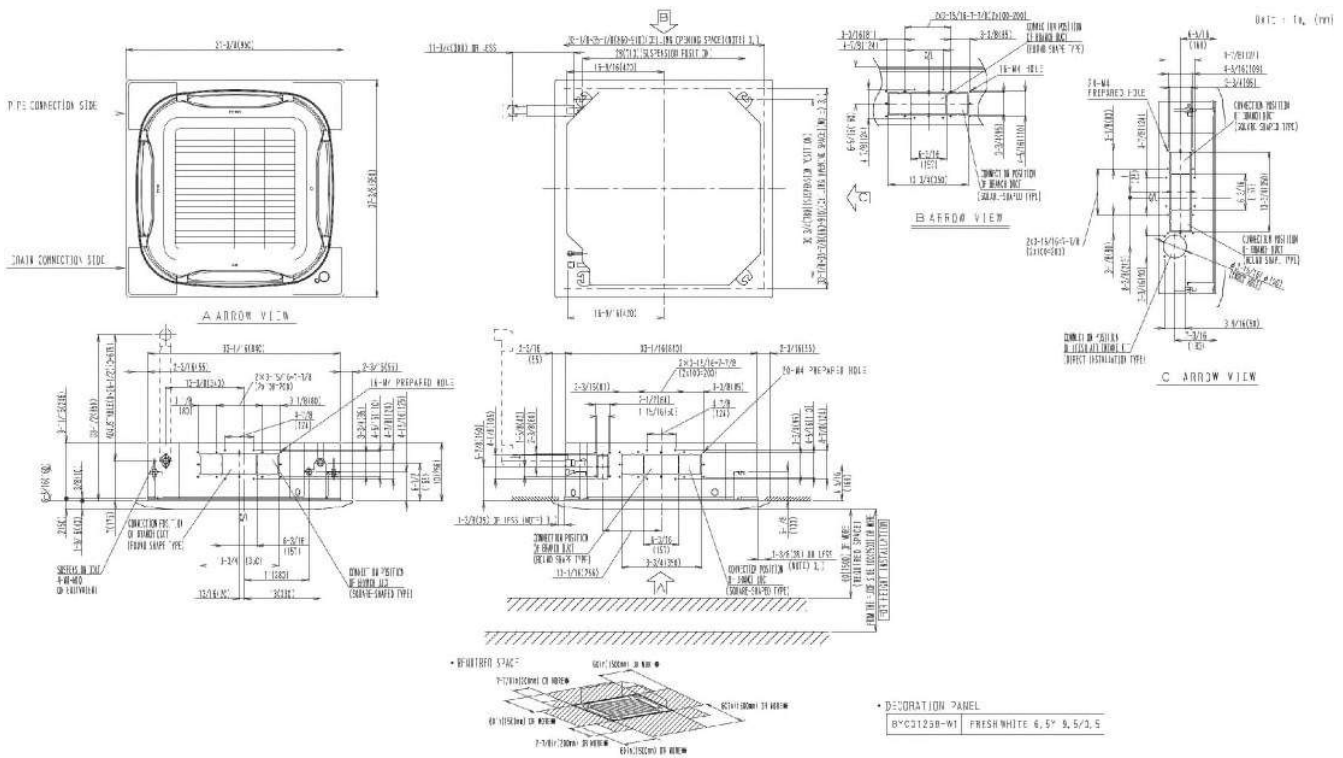


## Submittal Data Sheet

2.0-Ton Roundflow Sensing Cassette Cooling Only  
FCQ24TAVJURZR24TAVJU

### INDOOR UNIT DETAILS

Power Supply (V/Hz/Ph):	208-230 / 60 / 1	Airflow Rate (H/M/L) (CFM):	777/618/477
Power Supply Connections:	L1, L2, Ground	Moisture Removal (Gal/hr):	
Min. Circuit Amps MCA (A):	0.7	Gas Pipe Connection (inch):	5/8
Max Overcurrent Protection (MOP) (A):	15	Liquid Pipe Connection (inch):	3/8
Dimensions (HxWxD) (in):	10-1/16 x 33-1/16 x 33-1/16	Condensate Connection (inch):	1
Net Weight (lb):	63	Sound Pressure (H/M/L) (dBA):	36/32/28
Ext. Static Pressure (Rated/Max) (inWg):	/	Sound Power Level (dBA):	



Daikin City Generated Submittal Data [www.daikinac.com](http://www.daikinac.com) [www.daikincomfort.com](http://www.daikincomfort.com)

(Daikin's products are subject to continuous improvements. Daikin reserves the right to modify product design, specifications and information in this data sheet without notice and without incurring any obligations)

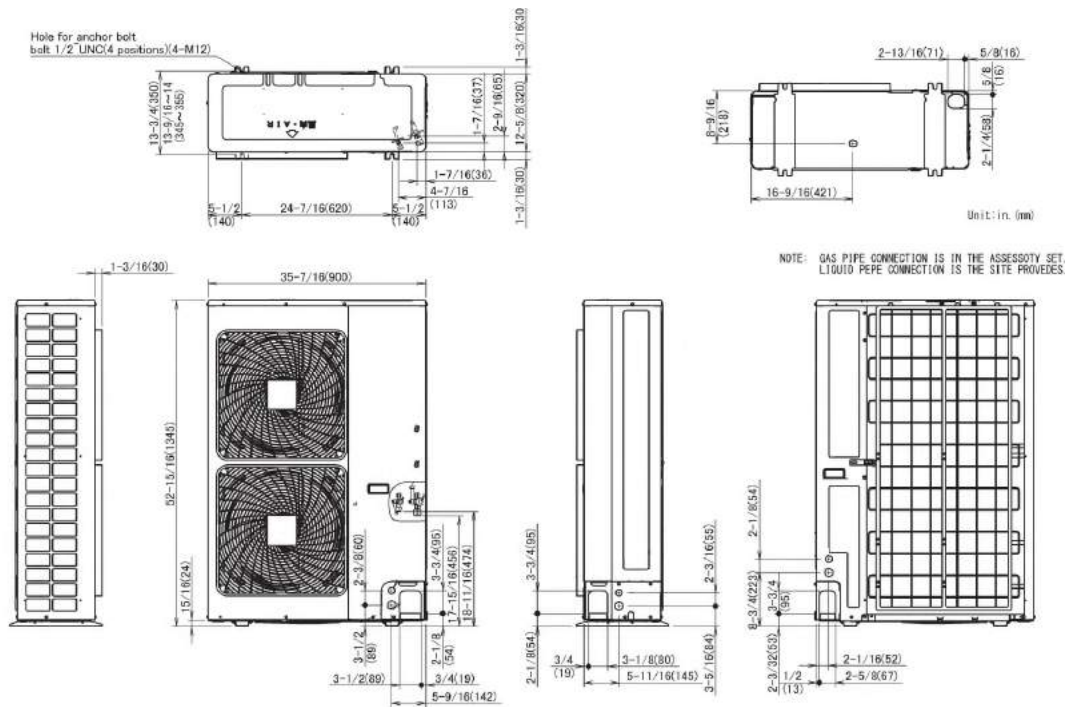


## Submittal Data Sheet

2.0-Ton Roundflow Sensing Cassette Cooling Only  
FCQ24TAVJURZR24TAVJU

### OUTDOOR UNIT DETAILS

Power Supply (V/Hz/Ph):	208-230 / 60 / 1	Compressor Stage:	
Power Supply Connections:	L1, L2, Ground	Capacity Control Range (%):	14 - 100
Min. Circuit Amps MCA (A):	16.5	Airflow Rate (H) (CFM):	2682
Max Overcurrent Protection (MOP) (A):	25	Gas Pipe Connection (inch):	5/8
Dimensions (HxWxD) (in):	39 x 37 x 12-5/8	Liquid Pipe Connection (inch):	3/8
Net Weight (lb):	172	Sound Pressure (H) (dBA):	58
		Sound Power Level (dBA):	



Daikin North America LLC, 5151 San Felipe, Suite 500, Houston, TX, 77056

Daikin City Generated Submittal Data

[www.daikinac.com](http://www.daikinac.com) [www.daikincomfort.com](http://www.daikincomfort.com)

(Daikin's products are subject to continuous improvements. Daikin reserves the right to modify product design, specifications and information in this data sheet without notice and without incurring any obligations)

Submittal Date: 6/3/2019 9:42:48 AM

Page 4 of 4





**Submittal Data Sheet**

2.5-Ton Roundflow Sensing Cassette Cooling Only  
FCQ30TAVJURZR30TAVJU

**INDOOR UNIT**



**OUTDOOR UNIT**





## Submittal Data Sheet

2.5-Ton Roundflow Sensing Cassette Cooling Only  
FCQ30TAVJURZR30TAVJU

### SYSTEM PERFORMANCE

Indoor Unit Model No.	FCQ30TAVJU	Indoor Unit Name:	Sky-Air Round Flow Sensing Cassette
Outdoor Unit Model No.	RZR30TAVJU	Outdoor Unit Name:	Sky-Air Cooling Only ODU
Rated Cooling Capacity (Btu/hr):	30,000	Rated Cooling Conditions:	Indoor (°F DB/WB): 80 / 67 Ambient (°F DB/WB): 95 / 75
Sensible Capacity (Btu/hr):	22,300	Rated Piping Length(ft):	25
Max/Min Cooling Capacity (Btu/hr):	/	Rated Height Difference (ft):	0.00
Cooling Input Power (kW):			
SEER (Non-Ducted/Ducted):	17.20 /		
EER (Non-Ducted/Ducted):	9.30 /		

### SYSTEM DETAILS

Refrigerant Type:	R-410A	Cooling Operation Range (°F DB):	23 - 122
Holding Refrigerant Charge (lbs):	7.9	Heating Operation Range (°F WB):	-
Additional Charge (lb/ft):	0.04	Max. Pipe Length (Vertical) (ft):	98
Pre-charge Piping (Length) (ft):	15	Cooling Range w/Baffle (°F DB):	0 - 122
Max. Pipe Length (Total) (ft):	230	Heating Range w/Baffle (°F WB):	-
Max Height Separation (Ind to Ind ft):	0		

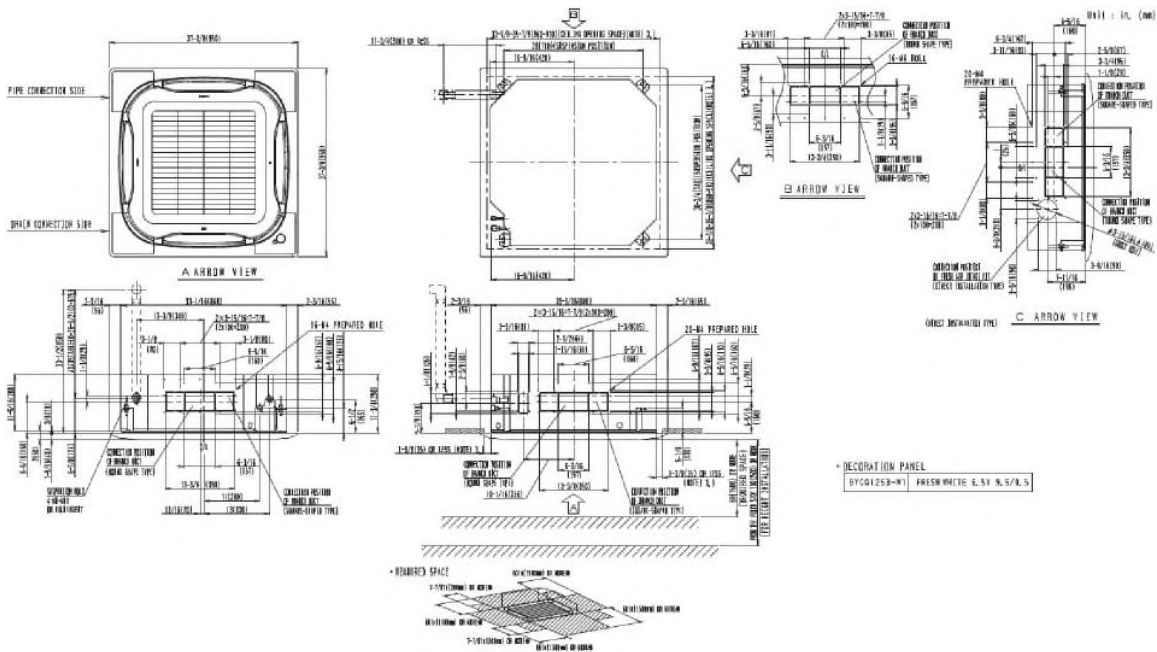


## Submittal Data Sheet

2.5-Ton Roundflow Sensing Cassette Cooling Only  
FCQ30TAVJURZR30TAVJU

### INDOOR UNIT DETAILS

Power Supply (V/Hz/Ph):	208-230 / 60 / 1	Airflow Rate (H/M/L) (CFM):	1112/918/671
Power Supply Connections:	L1, L2, Ground	Moisture Removal (Gal/hr):	
Min. Circuit Amps MCA (A):	1.3	Gas Pipe Connection (inch):	5/8
Max Overcurrent Protection (MOP) (A):	15	Liquid Pipe Connection (inch):	3/8
Dimensions (HxWxD) (in):	11-23/32 x 33-1/16 x 33-1/16	Condensate Connection (inch):	1
Net Weight (lb):	70	Sound Pressure (H/M/L) (dBA):	44/38/32
Ext. Static Pressure (Rated/Max) (inWg):	/	Sound Power Level (dBA):	



Daikin North America LLC, 5151 San Felipe, Suite 500, Houston, TX, 77056

Daikin City Generated Submittal Data

[www.daikinac.com](http://www.daikinac.com) [www.daikincomfort.com](http://www.daikincomfort.com)

(Daikin's products are subject to continuous improvements. Daikin reserves the right to modify product design, specifications and information in this data sheet without notice and without incurring any obligations)

Submittal Date: 6/3/2019 9:47:27 AM

Page 3 of 4

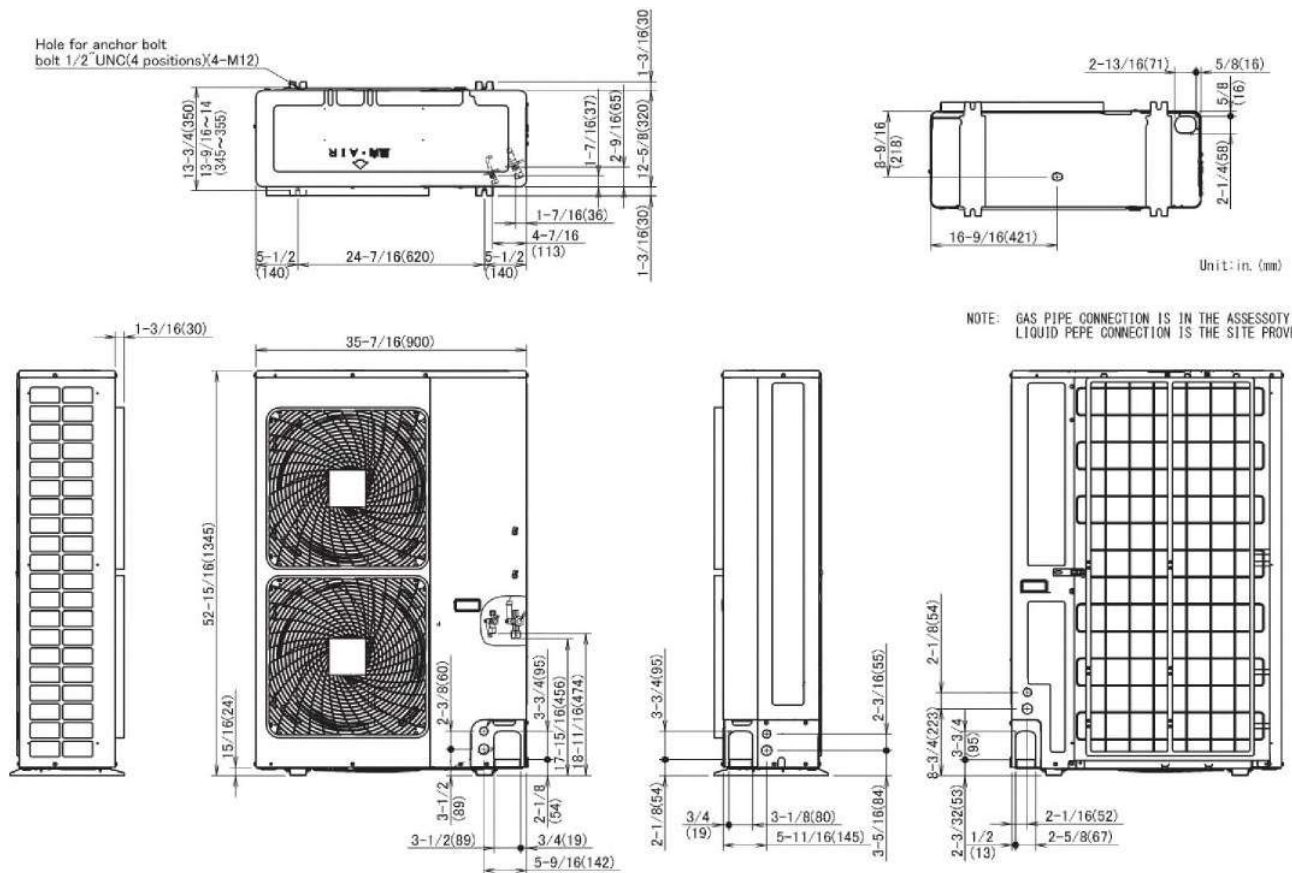


## Submittal Data Sheet

2.5-Ton Roundflow Sensing Cassette Cooling Only  
FCQ30TAVJURZR30TAVJU

### OUTDOOR UNIT DETAILS

Power Supply (V/Hz/Ph):	208-230 / 60 / 1	Compressor Stage:	
Power Supply Connections:	L1, L2, Ground	Capacity Control Range (%):	14 - 100
Min. Circuit Amps MCA (A):	29.1	Airflow Rate (H) (CFM):	3741
Max Overcurrent Protection (MOP) (A):	35	Gas Pipe Connection (inch):	5/8
Max Starting Current MSC(A):		Liquid Pipe Connection (inch):	3/8
Rated Load Amps RLA(A):	19	Sound Pressure (H) (dBA):	57
Dimensions (HxWxD) (in):	52-15/16 x 35-7/16 x 12-5/8	Sound Power Level (dBA):	
Net Weight (lb):	225		





**Submittal Data Sheet**

3.0-Ton Roundflow Sensing Cassette Cooling Only  
FCQ36TAVJURZR36TAVJU

**INDOOR UNIT**



**OUTDOOR UNIT**





## Submittal Data Sheet

3.0-Ton Roundflow Sensing Cassette Cooling Only  
FCQ36TAVJURZR36TAVJU

### SYSTEM PERFORMANCE

Indoor Unit Model No.	FCQ36TAVJU	Indoor Unit Name:	Sky-Air Round Flow Sensing Cassette
Outdoor Unit Model No.	RZR36TAVJU	Outdoor Unit Name:	Sky-Air Cooling Only ODU
Rated Cooling Capacity (Btu/hr):	36,000	Rated Cooling Conditions:	Indoor (°F DB/WB): 80 / 67 Ambient (°F DB/WB): 95 / 75
Sensible Capacity (Btu/hr):	28,300	Rated Piping Length(ft):	25
Max/Min Cooling Capacity (Btu/hr):	/	Rated Height Difference (ft):	0.00
Cooling Input Power (kW):			
SEER (Non-Ducted/Ducted):	17.60 /		
EER (Non-Ducted/Ducted):	11.40 /		

### SYSTEM DETAILS

Refrigerant Type:	R-410A	Cooling Operation Range (°F DB):	23 - 122
Holding Refrigerant Charge (lbs):	7.9	Heating Operation Range (°F WB):	-
Additional Charge (lb/ft):	0.04	Max. Pipe Length (Vertical) (ft):	98
Pre-charge Piping (Length) (ft):	15	Cooling Range w/Baffle (°F DB):	0 - 122
Max. Pipe Length (Total) (ft):	230	Heating Range w/Baffle (°F WB):	-
Max Height Separation (Ind to Ind ft):	0		

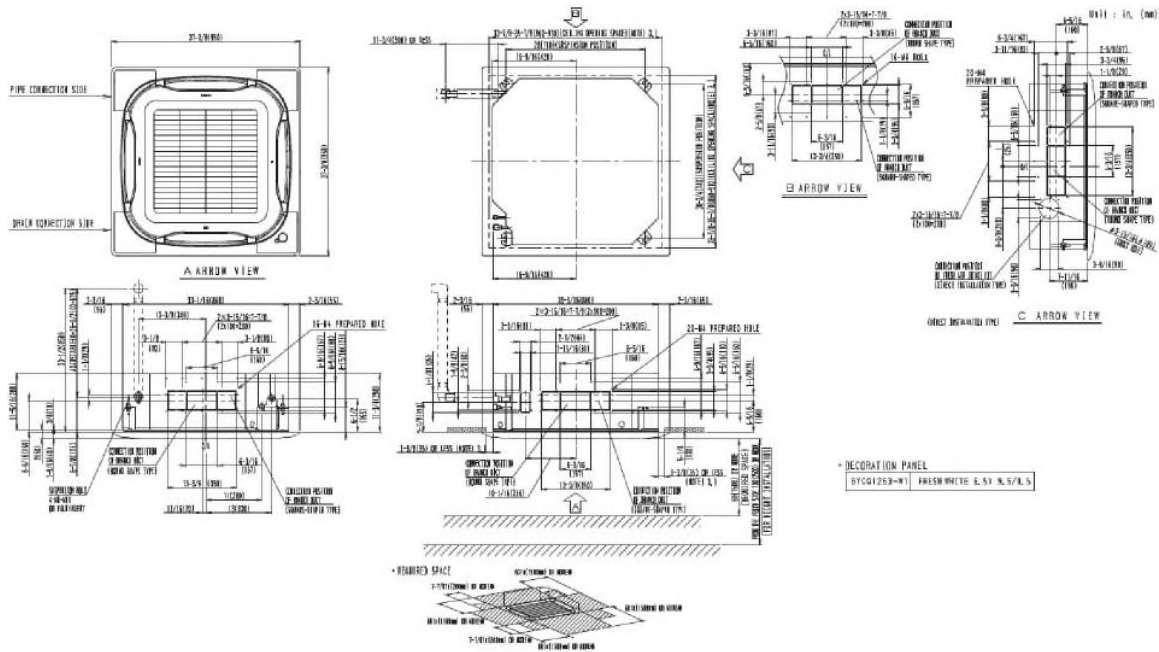


## Submittal Data Sheet

3.0-Ton Roundflow Sensing Cassette Cooling Only  
FCQ36TAVJURZR36TAVJU

### INDOOR UNIT DETAILS

Power Supply (V/Hz/Ph):	208-230 / 60 / 1	Airflow Rate (H/M/L) (CFM):	1165/918/671
Power Supply Connections:	L2, L2, Ground	Moisture Removal (Gal/hr):	
Min. Circuit Amps MCA (A):	1.5	Gas Pipe Connection (inch):	5/8
Max Overcurrent Protection (MOP) (A):	15	Liquid Pipe Connection (inch):	3/8
Dimensions (HxWxD) (in):	11-23/32 x 33-1/16 x 33-1/16	Condensate Connection (inch):	1
Net Weight (lb):	70	Sound Pressure (H/M/L) (dBA):	44/38/32
Ext. Static Pressure (Rated/Max) (inWg):	/	Sound Power Level (dBA):	



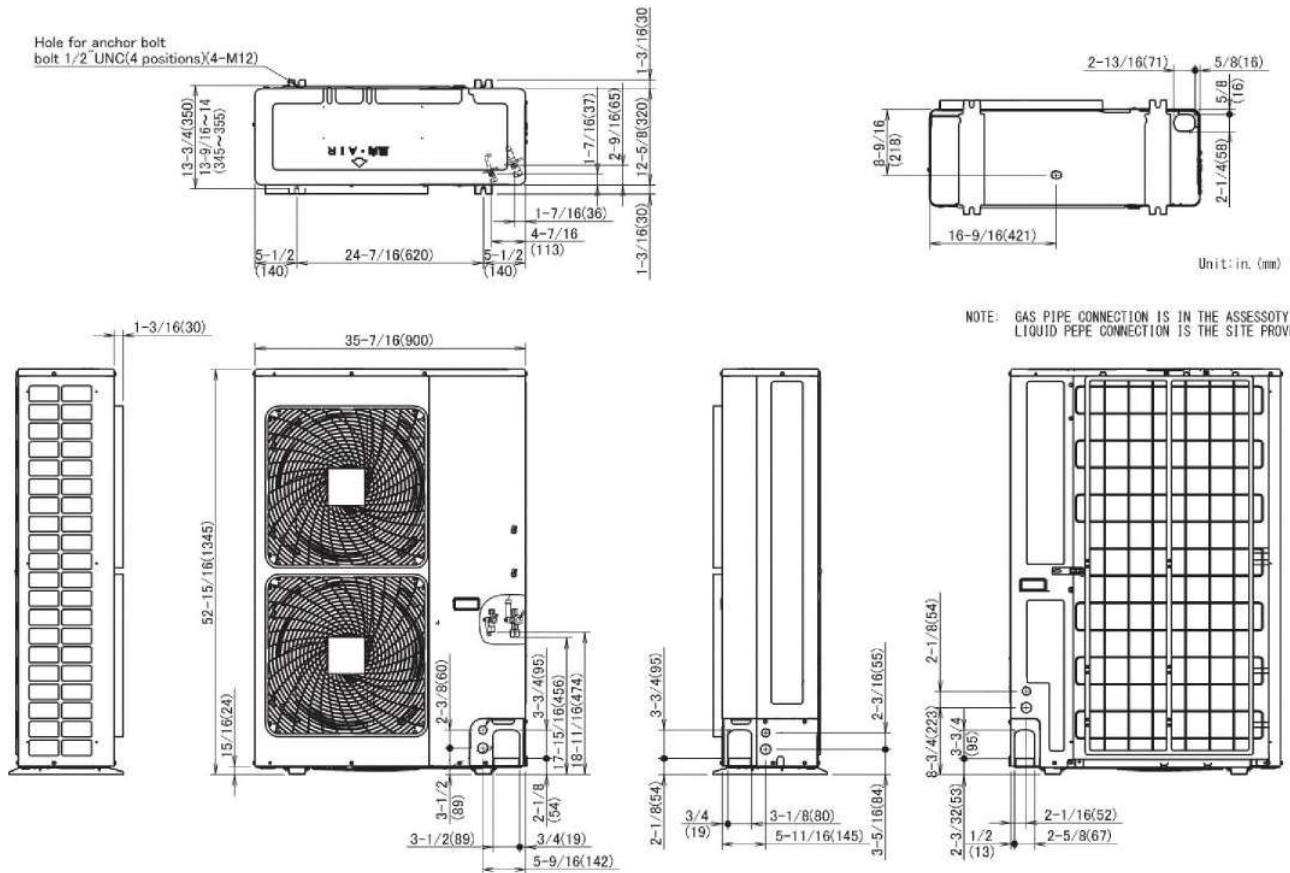


## Submittal Data Sheet

3.0-Ton Roundflow Sensing Cassette Cooling Only  
FCQ36TAVJURZR36TAVJU

### OUTDOOR UNIT DETAILS

Power Supply (V/Hz/Ph):	208-230 / 60 / 1	Compressor Stage:	
Power Supply Connections:	L1, L2, Ground	Capacity Control Range (%):	-
Min. Circuit Amps MCA (A):	29.1	Airflow Rate (H) (CFM):	3741
Max Overcurrent Protection (MOP) (A):	35	Gas Pipe Connection (inch):	5/8
Max Starting Current MSC(A):		Liquid Pipe Connection (inch):	3/8
Rated Load Amps RLA(A):	19	Sound Pressure (H) (dBA):	57
Dimensions (HxWxD) (in):	52-15/16 x 35-7/16 x 12-5/8	Sound Power Level (dBA):	
Net Weight (lb):	225		







**Submittal Data Sheet**

3.5-Ton Roundflow Sensing Cassette Cooling Only  
FCQ42TAVJURZR42TAVJU

**INDOOR UNIT**



**OUTDOOR UNIT**





## Submittal Data Sheet

3.5-Ton Roundflow Sensing Cassette Cooling Only  
FCQ42TAVJURZR42TAVJU

### SYSTEM PERFORMANCE

Indoor Unit Model No.	FCQ42TAVJU	Indoor Unit Name:	Sky-Air Round Flow Sensing Cassette
Outdoor Unit Model No.	RZR42TAVJU	Outdoor Unit Name:	Sky-Air Cooling Only ODU
Rated Cooling Capacity (Btu/hr):	42,000	Rated Cooling Conditions:	Indoor (°F DB/WB): 80 / 67 Ambient (°F DB/WB): 95 / 75
Sensible Capacity (Btu/hr):	30,600	Rated Piping Length(ft):	25
Max/Min Cooling Capacity (Btu/hr):	/	Rated Height Difference (ft):	0.00
Cooling Input Power (kW):			
SEER (Non-Ducted/Ducted):	17.00 /		
EER (Non-Ducted/Ducted):	10.30 /		

### SYSTEM DETAILS

Refrigerant Type:	R-410A	Cooling Operation Range (°F DB):	23 - 122
Holding Refrigerant Charge (lbs):	7.9	Heating Operation Range (°F WB):	-
Additional Charge (lb/ft):	0.04	Max. Pipe Length (Vertical) (ft):	98
Pre-charge Piping (Length) (ft):	15	Cooling Range w/Baffle (°F DB):	0 - 122
Max. Pipe Length (Total) (ft):	230	Heating Range w/Baffle (°F WB):	-
Max Height Separation (Ind to Ind ft):	0		

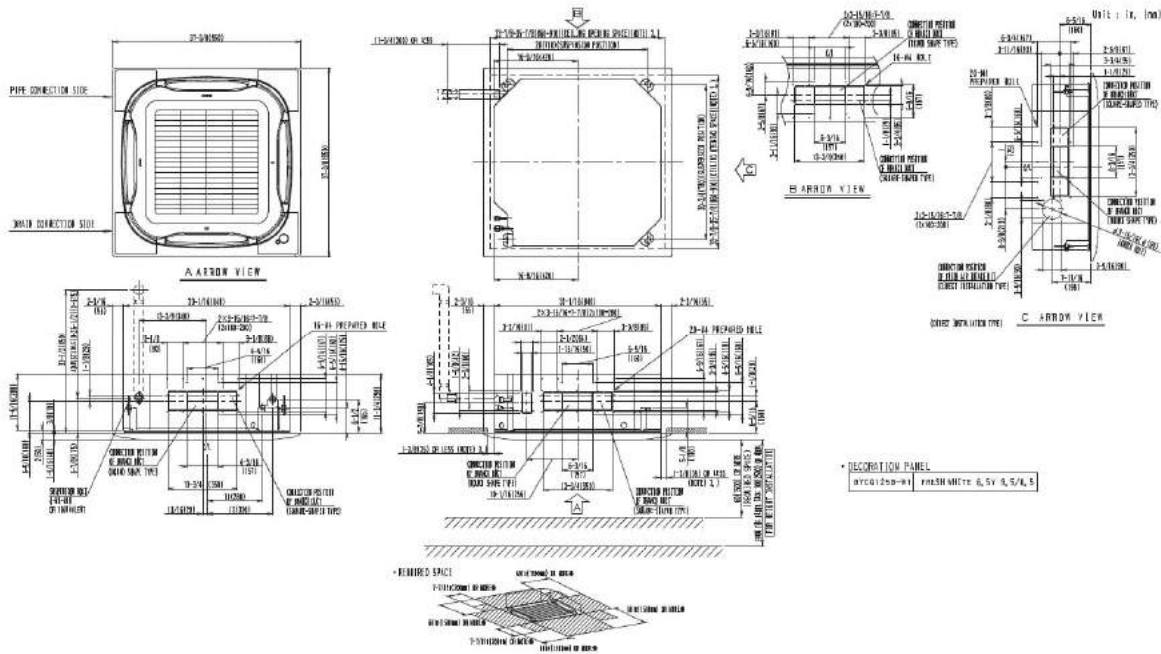


## Submittal Data Sheet

3.5-Ton Roundflow Sensing Cassette Cooling Only  
FCQ42TAVJURZR42TAVJU

### INDOOR UNIT DETAILS

Power Supply (V/Hz/Ph):	208-230 / 60 / 1	Airflow Rate (H/M/L) (CFM):	1218/971/742
Power Supply Connections:	L1, L2, Ground	Moisture Removal (Gal/hr):	
Min. Circuit Amps MCA (A):	1.8	Gas Pipe Connection (inch):	5/8
Max Overcurrent Protection (MOP) (A):	15	Liquid Pipe Connection (inch):	3/8
Dimensions (HxWxD) (in):	11-23/32 x 33-1/16 x 33-1/16	Condensate Connection (inch):	1
Net Weight (lb):	70	Sound Pressure (H/M/L) (dBA):	45/40/35
Ext. Static Pressure (Rated/Max) (inWg):	/	Sound Power Level (dBA):	



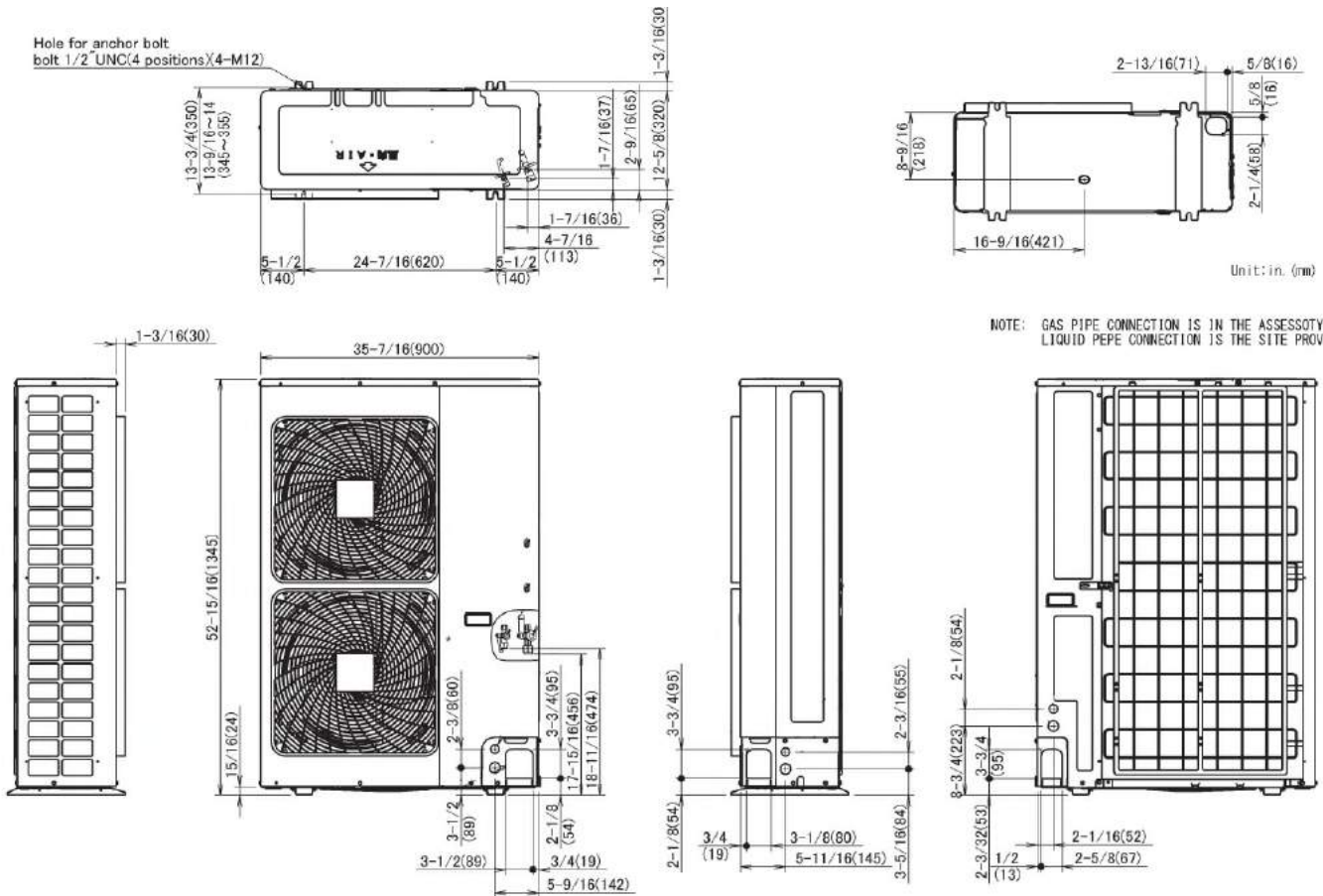


## Submittal Data Sheet

3.5-Ton Roundflow Sensing Cassette Cooling Only  
FCQ42TAVJURZR42TAVJU

### OUTDOOR UNIT DETAILS

Power Supply (V/Hz/Ph):	208-230 / 60 / 1	Compressor Stage:	
Power Supply Connections:	L1, L2, Ground	Capacity Control Range (%):	14-100
Min. Circuit Amps MCA (A):	29.1	Airflow Rate (H) (CFM):	3741
Max Overcurrent Protection (MOP) (A):	35	Gas Pipe Connection (inch):	5/8
Max Starting Current MSC(A):		Liquid Pipe Connection (inch):	3/8
Rated Load Amps RLA(A):		Sound Pressure (H) (dBA):	57
Dimensions (HxWxD) (in):	52-15/16 x 35-7/16 x 12-5/8	Sound Power Level (dBA):	
Net Weight (lb):	225		





**Submittal Data Sheet**

4.0-Ton Roundflow Sensing Cassette Cooling Only  
FCQ48TAVJURZR48TAVJU

**INDOOR UNIT**



**OUTDOOR UNIT**





## Submittal Data Sheet

4.0-Ton Roundflow Sensing Cassette Cooling Only  
FCQ48TAVJURZR48TAVJU

### SYSTEM PERFORMANCE

Indoor Unit Model No.	FCQ48TAVJU	Indoor Unit Name:	Sky-Air Round Flow Sensing Cassette
Outdoor Unit Model No.	RZR48TAVJU	Outdoor Unit Name:	Sky-Air Cooling Only ODU
Rated Cooling Capacity (Btu/hr):	48,000	Rated Cooling Conditions:	Indoor (°F DB/WB): 80 / 67 Ambient (°F DB/WB): 95 / 75
Sensible Capacity (Btu/hr):	35,000	Rated Piping Length(ft):	25
Max/Min Cooling Capacity (Btu/hr):	/	Rated Height Difference (ft):	0.00
Cooling Input Power (kW):			
SEER (Non-Ducted/Ducted):	17.00 /		
EER (Non-Ducted/Ducted):	9.00 /		

### SYSTEM DETAILS

Refrigerant Type:	R-410A	Cooling Operation Range (°F DB):	23 - 122
Holding Refrigerant Charge (lbs):	7.9	Heating Operation Range (°F WB):	-
Additional Charge (lb/ft):	0.04	Max. Pipe Length (Vertical) (ft):	98
Pre-charge Piping (Length) (ft):	15	Cooling Range w/Baffle (°F DB):	0 - 122
Max. Pipe Length (Total) (ft):	230	Heating Range w/Baffle (°F WB):	-
Max Height Separation (Ind to Ind ft):	0		

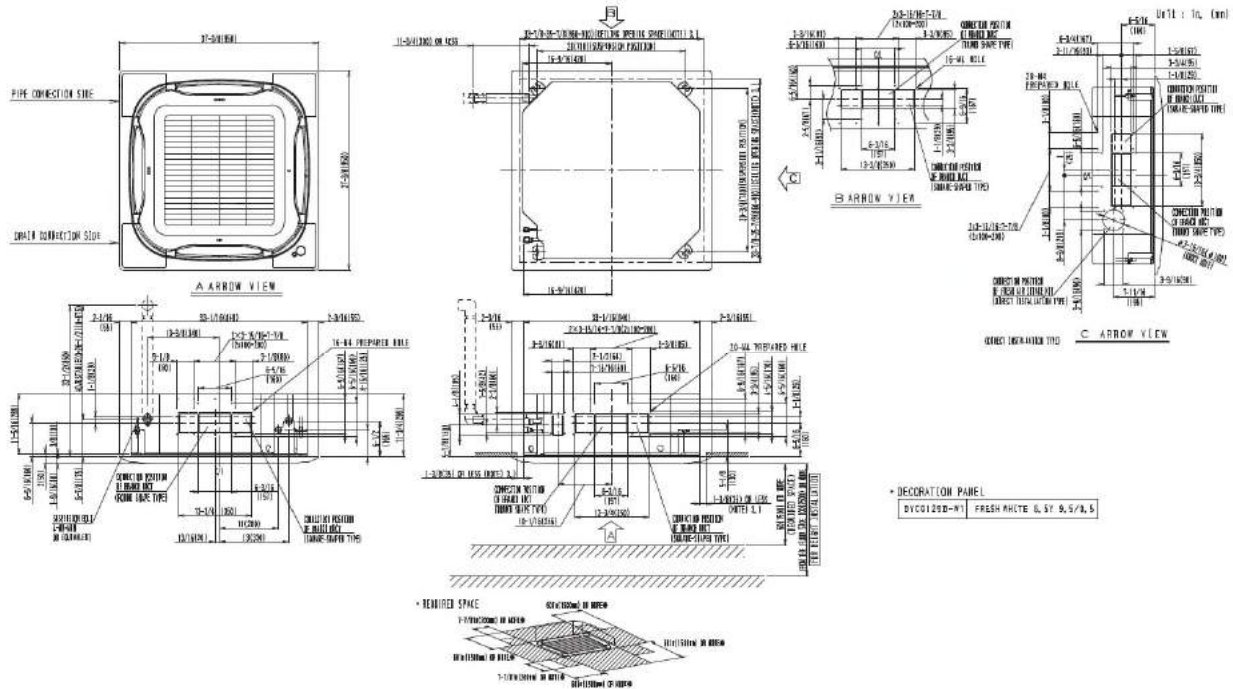


## Submittal Data Sheet

4.0-Ton Roundflow Sensing Cassette Cooling Only  
FCQ48TAVJURZR48TAVJU

### INDOOR UNIT DETAILS

Power Supply (V/Hz/Ph):	208-230 / 60 / 1	Airflow Rate (H/M/L) (CFM):	1218/971/742
Power Supply Connections:	L1, L2, Ground	Moisture Removal (Gal/hr):	
Min. Circuit Amps MCA (A):	1.8	Gas Pipe Connection (inch):	5/8
Max Overcurrent Protection (MOP) (A):	15	Liquid Pipe Connection (inch):	3/8
Dimensions (HxWxD) (in):	11-23/32 x 33-1/16 x 33-1/16	Condensate Connection (inch):	1-1/4
Net Weight (lb):	70	Sound Pressure (H/M/L) (dBA):	45/40/35
Ext. Static Pressure (Rated/Max) (inWg):	/	Sound Power Level (dBA):	



Daikin North America LLC, 5151 San Felipe, Suite 500, Houston, TX, 77056

Daikin City Generated Submittal Data

[www.daikinac.com](http://www.daikinac.com) [www.daikincomfort.com](http://www.daikincomfort.com)

(Daikin's products are subject to continuous improvements. Daikin reserves the right to modify product design, specifications and information in this data sheet without notice and without incurring any obligations)

Submittal Date: 6/3/2019 9:57:00 AM

Page 3 of 4

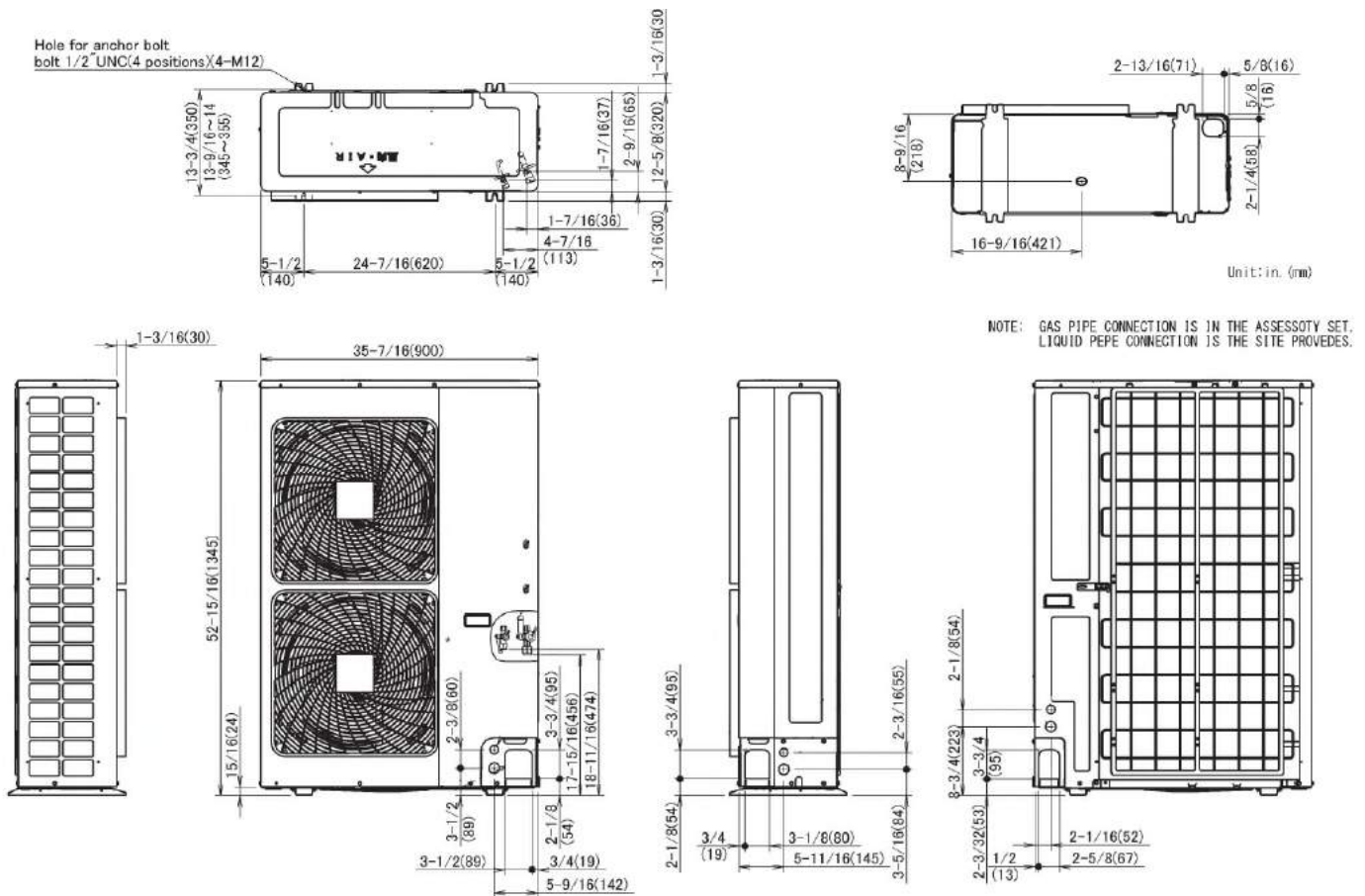


## Submittal Data Sheet

4.0-Ton Roundflow Sensing Cassette Cooling Only  
FCQ48TAVJURZR48TAVJU

### OUTDOOR UNIT DETAILS

Power Supply (V/Hz/Ph):	208-230 / 60 / 1	Compressor Stage:	
Power Supply Connections:	L1, L2, Ground	Capacity Control Range (%):	14-100
Min. Circuit Amps MCA (A):	29.1	Airflow Rate (H) (CFM):	3741
Max Overcurrent Protection (MOP) (A):	35	Gas Pipe Connection (inch):	5/8
Max Starting Current MSC(A):		Liquid Pipe Connection (inch):	3/8
Rated Load Amps RLA(A):		Sound Pressure (H) (dBA):	57
Dimensions (HxWxD) (in):	52-15/16 x 35-7/16 x 12-5/8	Sound Power Level (dBA):	
Net Weight (lb):	225		







**Submittal Data Sheet**

1.5-Ton Roundflow Sensing Cassette Heat Pump  
FCQ18TAVJURZQ18TAVJU

**INDOOR UNIT**



**OUTDOOR UNIT**





## Submittal Data Sheet

1.5-Ton Roundflow Sensing Cassette Unit  
FCQ18TAVJURZQ18TAVJU

### SYSTEM PERFORMANCE

Indoor Unit Model No.	FCQ18TAVJU	Indoor Unit Name:	Sky-Air Round Flow Sensing Cassette
Outdoor Unit Model No.	RZQ18TAVJU	Outdoor Unit Name:	Sky-Air Heat Pump ODU
Rated Cooling Capacity (Btu/hr):	18,000	Rated Cooling Conditions:	Indoor (°F DB/WB): 80 / 67 Ambient (°F DB/WB): 95 / 75
Sensible Capacity (Btu/hr):	16,100	Rated Piping Length(ft):	25
Max/Min Cooling Capacity (Btu/hr):	/	Rated Height Difference (ft):	0.00
Cooling Input Power (kW):		Rated Heating Conditions:	Indoor (°F DB/WB): 70 / 60 Ambient (°F DB/WB): 47 / 43
SEER (Non-Ducted/Ducted):	18.60 /	HSPF (Non-Ducted/Ducted):	10.1 /
EER (Non-Ducted/Ducted):	13.00 /		
Rated Heating Capacity (Btu/hr):	20,000		

### SYSTEM DETAILS

Refrigerant Type:	R-410A	Cooling Operation Range (°F DB):	23 - 122
Holding Refrigerant Charge (lbs):	6.4	Heating Operation Range (°F WB):	-4 - 60
Additional Charge (lb/ft):	0.04	Max. Pipe Length (Vertical) (ft):	98
Pre-charge Piping (Length) (ft):	15	Cooling Range w/Baffle (°F DB):	0 - 122
Max. Pipe Length (Total) (ft):	164	Heating Range w/Baffle (°F WB):	-
Max Height Separation (Ind to Ind ft):	0		

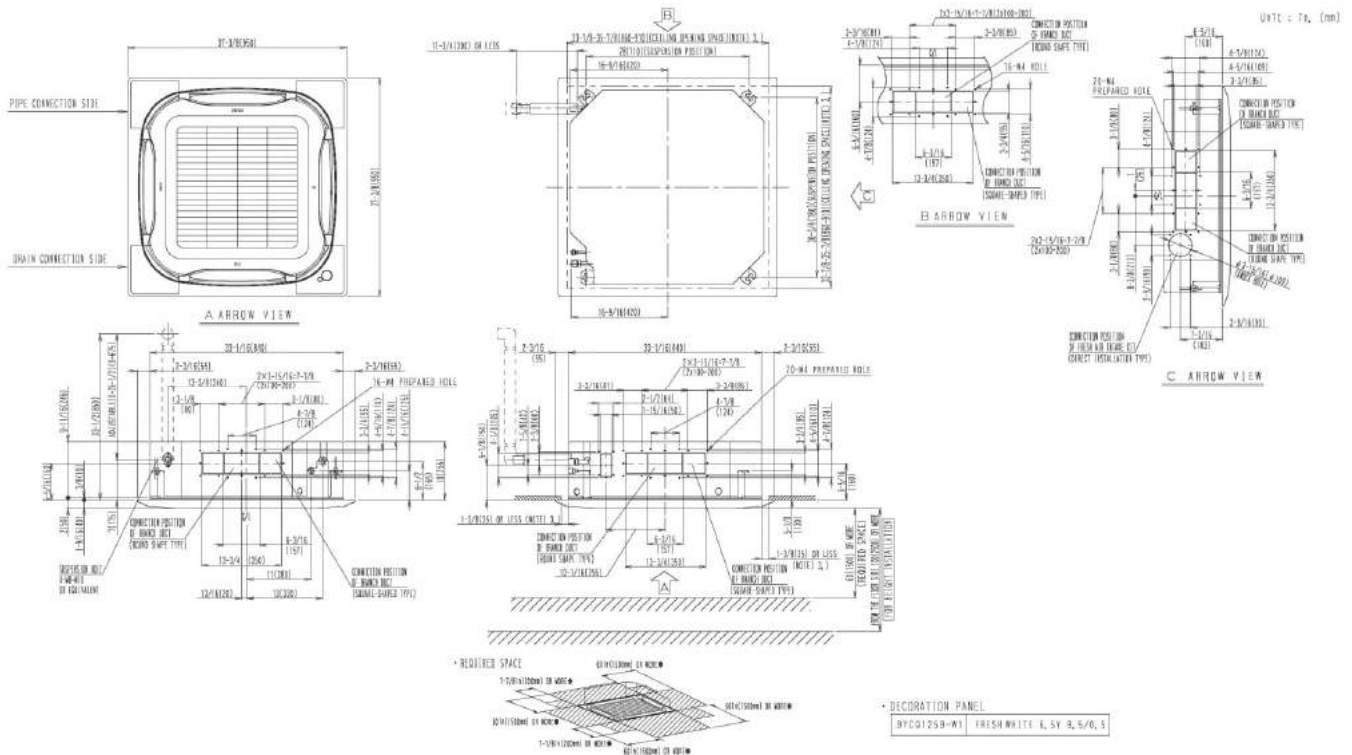


## Submittal Data Sheet

1.5-Ton Roundflow Sensing Cassette Unit  
FCQ18TAVJURZQ18TAVJU

### INDOOR UNIT DETAILS

Power Supply (V/Hz/Ph):	208-230 / 60 / 1	Airflow Rate (H/M/L) (CFM):	742/618/477
Power Supply Connections:	L1, L2, Ground	Moisture Removal (Gal/hr):	
Min. Circuit Amps MCA (A):	0.6	Gas Pipe Connection (inch):	5/8
Max Overcurrent Protection (MOP) (A):	15	Liquid Pipe Connection (inch):	3/8
Dimensions (HxWxD) (in):	10-11/16 x 33-1/16 x 33-1/16	Condensate Connection (inch):	1
Net Weight (lb):	63	Sound Pressure (H/M/L) (dBA):	36/32/28
Ext. Static Pressure (Rated/Max) (inWg):	/	Sound Power Level (dBA):	



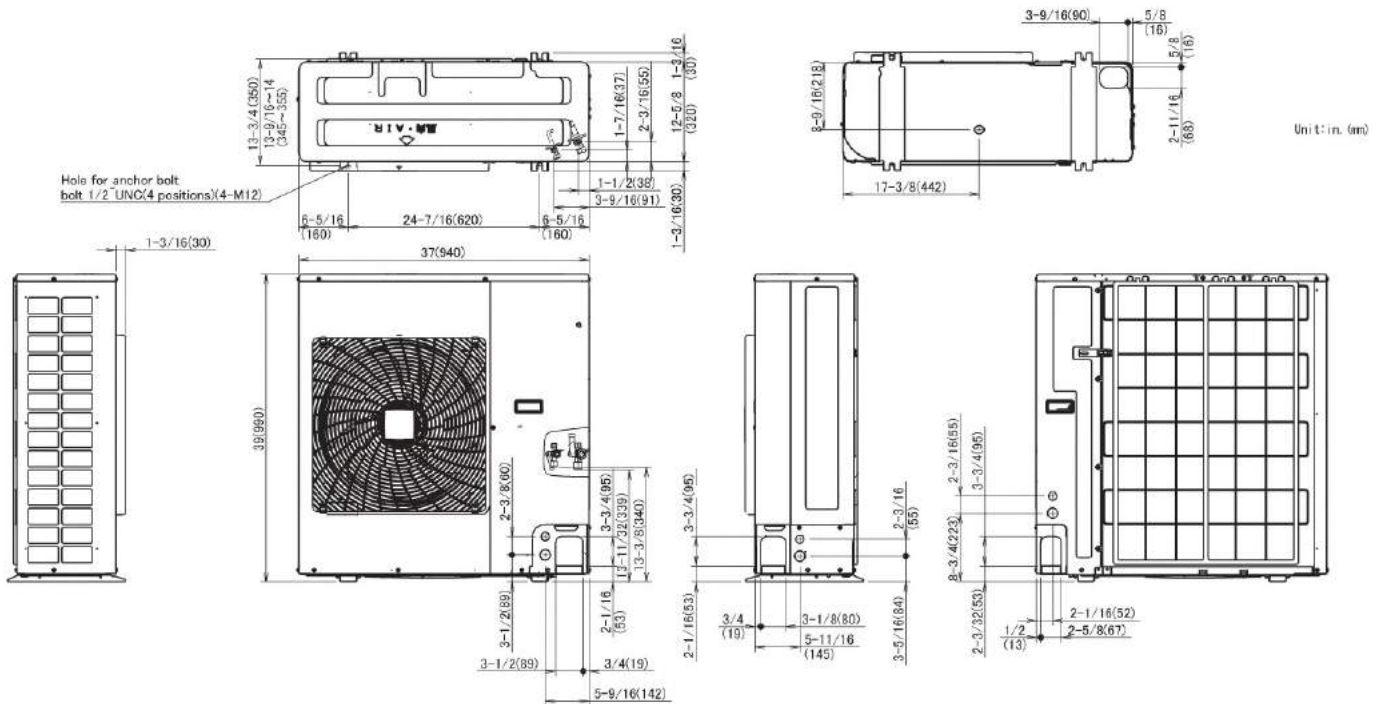


## Submittal Data Sheet

1.5-Ton Roundflow Sensing Cassette Unit  
FCQ18TAVJURZQ18TAVJU

### OUTDOOR UNIT DETAILS

Power Supply (V/Hz/Ph):	208-230 / 60 / 1	Compressor Stage:	
Power Supply Connections:	L1, L2, Ground	Capacity Control Range (%):	14-100
Min. Circuit Amps MCA (A):	16.5	Airflow Rate (H) (CFM):	2682
Max Overcurrent Protection (MOP) (A):	25	Gas Pipe Connection (inch):	5/8
Max Starting Current MSC(A):		Liquid Pipe Connection (inch):	3/8
Rated Load Amps RLA(A):		Sound Pressure (H) (dBA):	58
Dimensions (HxWxD) (in):	39 x 37 x 12-5/8	Sound Power Level (dBA):	
Net Weight (lb):	172		



Daikin North America LLC, 5151 San Felipe, Suite 500, Houston, TX, 77056

Daikin City Generated Submittal Data

[www.daikinac.com](http://www.daikinac.com) [www.daikincomfort.com](http://www.daikincomfort.com)

(Daikin's products are subject to continuous improvements. Daikin reserves the right to modify product design, specifications and information in this data sheet without notice and without incurring any obligations)

Submittal Date: 6/3/2019 9:06:13 AM

Page 4 of 4



**Submittal Data Sheet**

2.0-Ton Roundflow Sensing Cassette Unit  
FCQ24TAVJURZQ24TAVJU

**INDOOR UNIT**



**OUTDOOR UNIT**





## Submittal Data Sheet

2.0-Ton Roundflow Sensing Cassette Unit  
FCQ24TAVJURZQ24TAVJU

### SYSTEM PERFORMANCE

Indoor Unit Model No.	FCQ24TAVJU	Indoor Unit Name:	SkyAir Round Flow Sensing Cassette
Outdoor Unit Model No.	RZQ24TAVJU	Outdoor Unit Name:	Unknown
Rated Cooling Capacity (Btu/hr):	24,000	Rated Cooling Conditions:	Indoor (°F DB/WB): 80 / 67 Ambient (°F DB/WB): 95 / 75
Sensible Capacity (Btu/hr):	19,900	Rated Piping Length(ft):	25
Max/Min Cooling Capacity (Btu/hr):	/	Rated Height Difference (ft):	0.00
Cooling Input Power (kW):		Rated Heating Conditions:	Indoor (°F DB/WB): 70 / 60 Ambient (°F DB/WB): 47 / 43
SEER (Non-Ducted/Ducted):	18.50 /	HSPF (Non-Ducted/Ducted):	10.2 /
EER (Non-Ducted/Ducted):	12.00 /		
Rated Heating Capacity (Btu/hr):	27,000		

### SYSTEM DETAILS

Refrigerant Type:	R-410A	Cooling Operation Range (°F DB):	23 - 122
Holding Refrigerant Charge (lbs):	6.4	Heating Operation Range (°F WB):	-4 - 60
Additional Charge (lb/ft):	0.04	Max. Pipe Length (Vertical) (ft):	98
Pre-charge Piping (Length) (ft):	15	Cooling Range w/Baffle (°F DB):	0 - 122
Max. Pipe Length (Total) (ft):	164	Heating Range w/Baffle (°F WB):	-
Max Height Separation (Ind to Ind ft):	0		

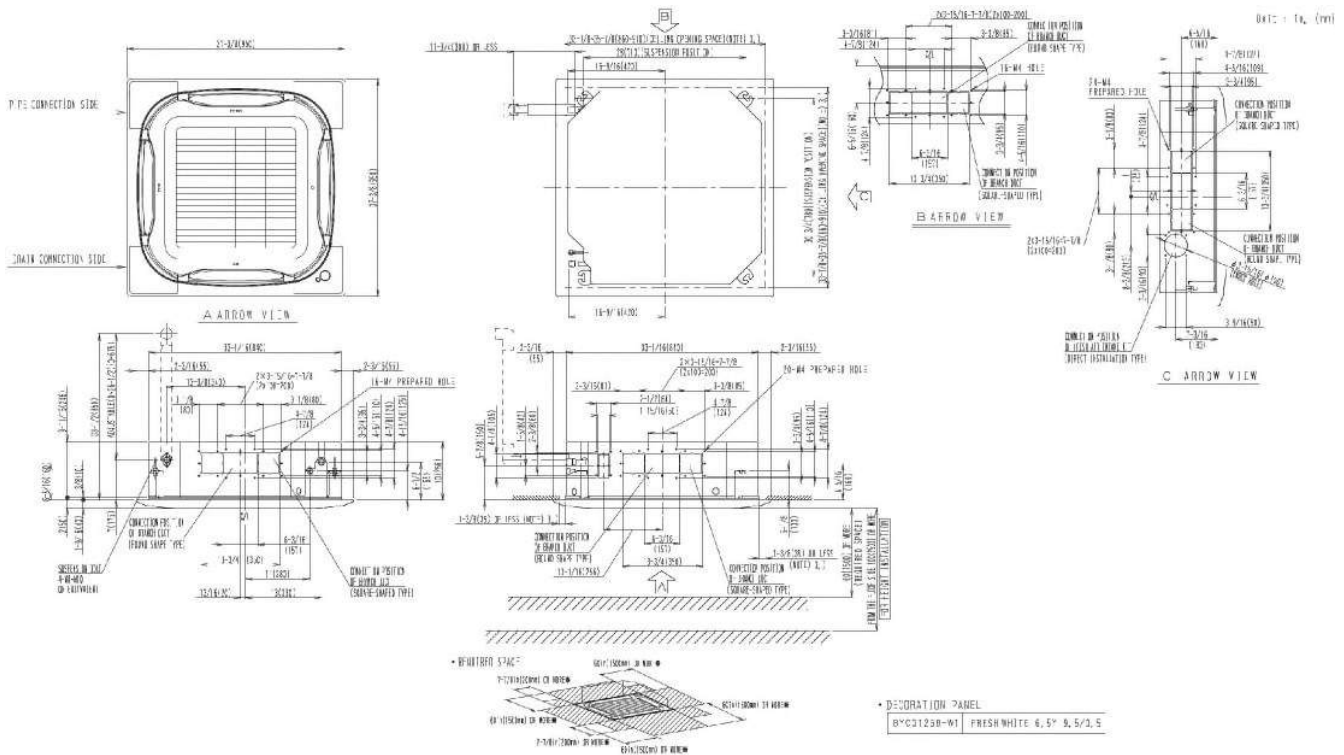


## Submittal Data Sheet

2.0-Ton Roundflow Sensing Cassette Unit  
FCQ24TAVJURZQ24TAVJU

### INDOOR UNIT DETAILS

Power Supply (V/Hz/Ph):	208-230 / 60 / 1	Airflow Rate (H/M/L) (CFM):	777/618/477
Power Supply Connections:	L1, L2, Ground	Moisture Removal (Gal/hr):	
Min. Circuit Amps MCA (A):	0.7	Gas Pipe Connection (inch):	5/8
Max Overcurrent Protection (MOP) (A):	15	Liquid Pipe Connection (inch):	3/8
Dimensions (HxWxD) (in):	10-1/16 x 33-1/16 x 33-1/16	Condensate Connection (inch):	1
Net Weight (lb):	63	Sound Pressure (H/M/L) (dBA):	36/32/28
Ext. Static Pressure (Rated/Max) (inWg):	/	Sound Power Level (dBA):	



Daikin North America LLC, 5151 San Felipe, Suite 500, Houston, TX, 77056

Daikin City Generated Submittal Data

[www.daikinac.com](http://www.daikinac.com) [www.daikincomfort.com](http://www.daikincomfort.com)

(Daikin's products are subject to continuous improvements. Daikin reserves the right to modify product design, specifications and information in this data sheet without notice and without incurring any obligations)

Submittal Date: 6/3/2019 9:41:27 AM

Page 3 of 4

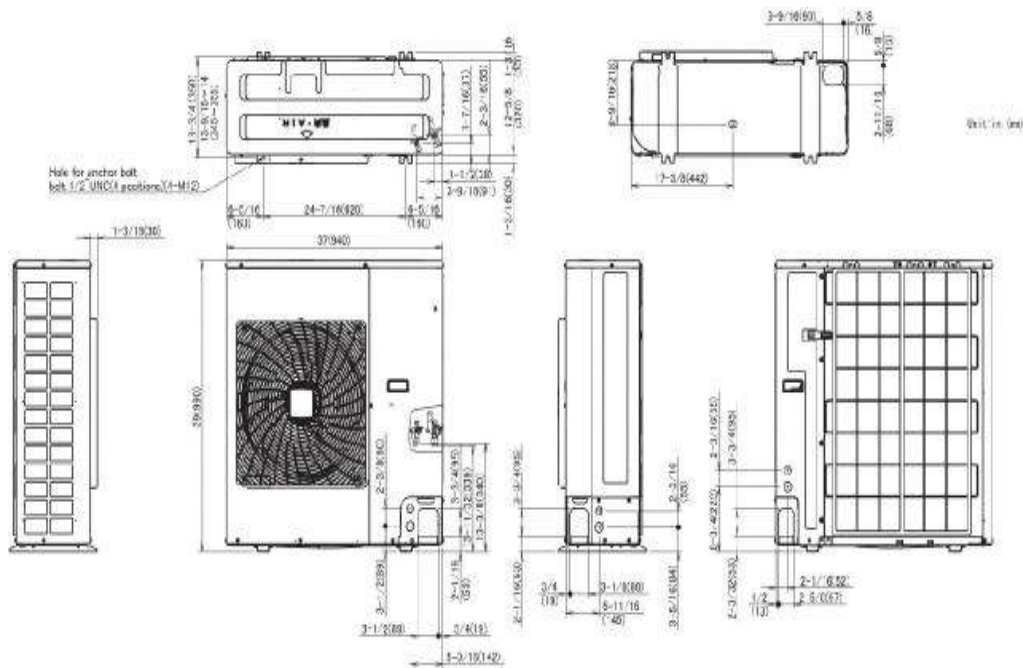


## Submittal Data Sheet

2.0-Ton Roundflow Sensing Cassette Unit  
FCQ24TAVJURZQ24TAVJU

### OUTDOOR UNIT DETAILS

Power Supply (V/Hz/Ph):	208-230 / 60 / 1	Compressor Stage:	
Power Supply Connections:	L1, L2, Ground	Capacity Control Range (%):	14 - 100
Min. Circuit Amps MCA (A):	16.5	Airflow Rate (H) (CFM):	2862
Max Overcurrent Protection (MOP) (A):	25	Gas Pipe Connection (inch):	5/8
Max Starting Current MSC(A):		Liquid Pipe Connection (inch):	3/8
Rated Load Amps RLA(A):	15.3	Sound Pressure (H) (dBA):	58
Dimensions (HxWxD) (in):	39 x 37 x 12-5/8	Sound Power Level (dBA):	
Net Weight (lb):	172		



Daikin North America LLC, 5151 San Felipe, Suite 500, Houston, TX, 77056

Daikin City Generated Submittal Data

[www.daikinac.com](http://www.daikinac.com) [www.daikincomfort.com](http://www.daikincomfort.com)

(Daikin's products are subject to continuous improvements. Daikin reserves the right to modify product design, specifications and information in this data sheet without notice and without incurring any obligations)

Submittal Date: 6/3/2019 9:41:27 AM

Page 4 of 4





**Submittal Data Sheet**

2.5-Ton Roundflow Sensing Cassette Unit  
FCQ30TAVJURZQ30TAVJU

**INDOOR UNIT**



**OUTDOOR UNIT**





## Submittal Data Sheet

2.5-Ton Roundflow Sensing Cassette Unit  
FCQ30TAVJURZQ30TAVJU

### SYSTEM PERFORMANCE

Indoor Unit Model No.	FCQ30TAVJU	Indoor Unit Name:	Sky-Air Round Flow Sensing Cassette
Outdoor Unit Model No.	RZQ30TAVJU	Outdoor Unit Name:	Unknown
Rated Cooling Capacity (Btu/hr):	30,000	Rated Cooling Conditions:	Indoor (°F DB/WB): 80 / 67 Ambient (°F DB/WB): 95 / 75
Sensible Capacity (Btu/hr):	22,300	Rated Piping Length(ft):	25
Max/Min Cooling Capacity (Btu/hr):	/	Rated Height Difference (ft):	0.00
Cooling Input Power (kW):		Rated Heating Conditions:	Indoor (°F DB/WB): 70 / 60 Ambient (°F DB/WB): 47 / 43
SEER (Non-Ducted/Ducted):	17.20 /	HSPF (Non-Ducted/Ducted):	10.2 /
EER (Non-Ducted/Ducted):	9.30 /		
Rated Heating Capacity (Btu/hr):	34,000		

### SYSTEM DETAILS

Refrigerant Type:	R-410A	Cooling Operation Range (°F DB):	23 - 122
Holding Refrigerant Charge (lbs):	7.9	Heating Operation Range (°F WB):	-4 - 60
Additional Charge (lb/ft):	0.04	Max. Pipe Length (Vertical) (ft):	98
Pre-charge Piping (Length) (ft):	15	Cooling Range w/Baffle (°F DB):	0 - 122
Max. Pipe Length (Total) (ft):	230	Heating Range w/Baffle (°F WB):	-
Max Height Separation (Ind to Ind ft):	0		

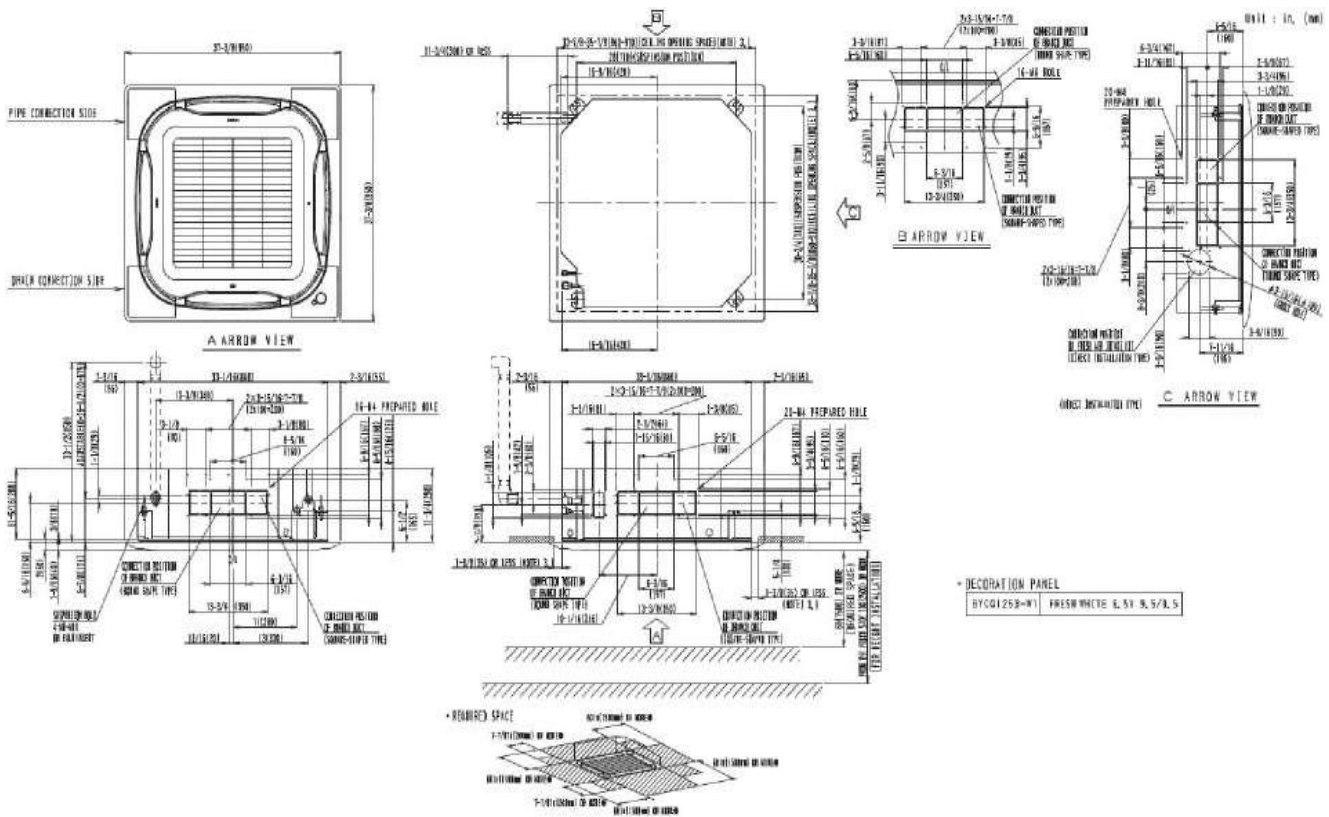


## Submittal Data Sheet

2.5-Ton Roundflow Sensing Cassette Unit  
FCQ30TAVJURZQ30TAVJU

### INDOOR UNIT DETAILS

Power Supply (V/Hz/Ph):	208-230 / 60 / 1	Airflow Rate (H/M/L) (CFM):	1112/918/671
Power Supply Connections:	L1, L2, Ground	Moisture Removal (Gal/hr):	
Min. Circuit Amps MCA (A):	1.3	Gas Pipe Connection (inch):	5/8
Max Overcurrent Protection (MOP) (A):	15	Liquid Pipe Connection (inch):	3/8
Dimensions (HxWxD) (in):	11-23/32 x 33-1/16 x 33-1/16	Condensate Connection (inch):	1
Net Weight (lb):	70	Sound Pressure (H/M/L) (dBA):	44/38/32
Ext. Static Pressure (Rated/Max) (inWg):	/	Sound Power Level (dBA):	



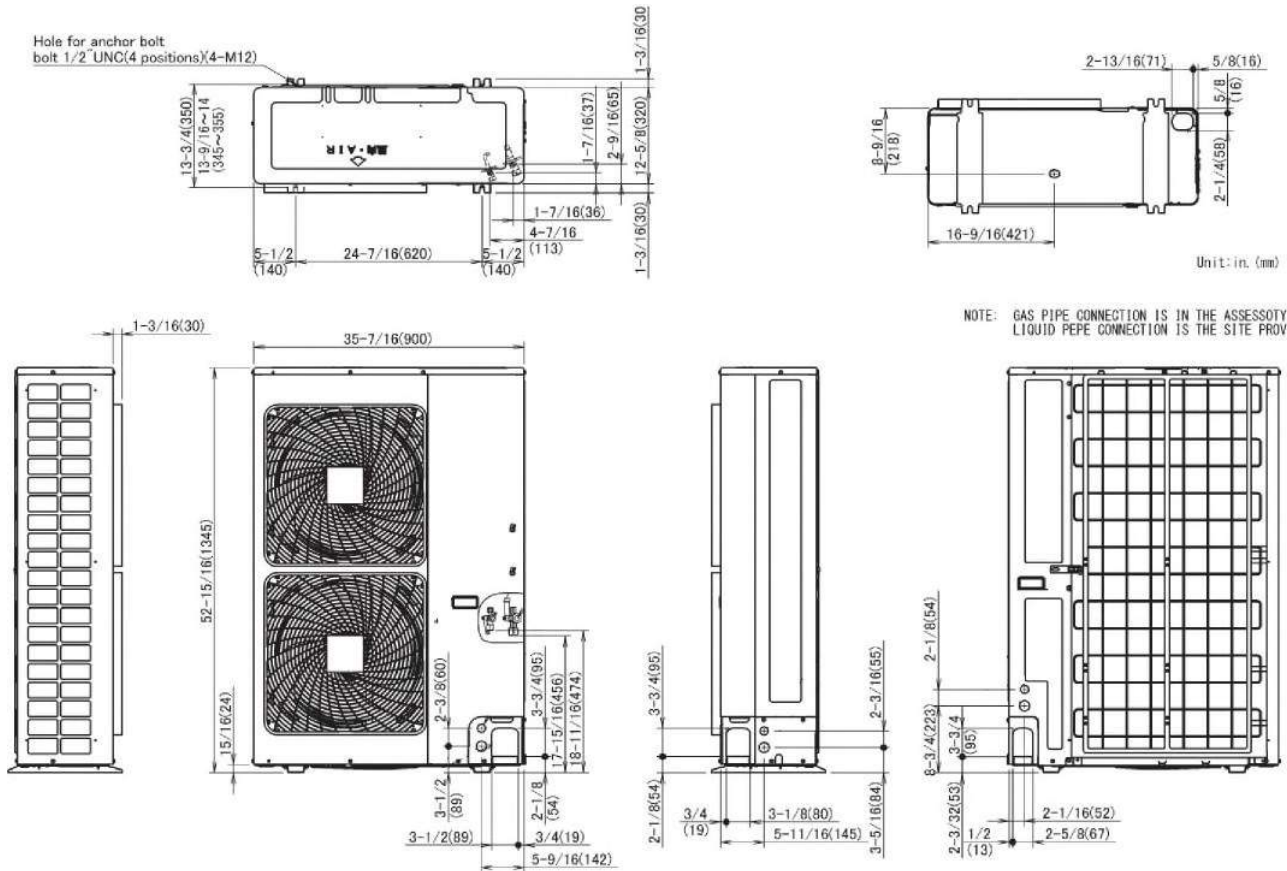


## Submittal Data Sheet

2.5-Ton Roundflow Sensing Cassette Unit  
FCQ30TAVJURZQ30TAVJU

### OUTDOOR UNIT DETAILS

Power Supply (V/Hz/Ph):	208-230 / 60 / 1	Compressor Stage:	
Power Supply Connections:	L1, L2, Ground	Capacity Control Range (%):	14 - 100
Min. Circuit Amps MCA (A):	29.1	Airflow Rate (H) (CFM):	3741
Max Overcurrent Protection (MOP) (A):	35	Gas Pipe Connection (inch):	5/8
Max Starting Current MSC(A):		Liquid Pipe Connection (inch):	3/8
Rated Load Amps RLA(A):	19	Sound Pressure (H) (dBA):	57
Dimensions (HxWxD) (in):	52-15/16 x 35-7/16 x 12-5/8	Sound Power Level (dBA):	
Net Weight (lb):	225		





**Submittal Data Sheet**

3.0-Ton Roundflow Sensing Cassette Unit  
FCQ36TAVJURZQ36TAVJU

**INDOOR UNIT**



**OUTDOOR UNIT**





## Submittal Data Sheet

3.0-Ton Roundflow Sensing Cassette Unit  
FCQ36TAVJURZQ36TAVJU

### SYSTEM PERFORMANCE

Indoor Unit Model No.	FCQ36TAVJU	Indoor Unit Name:	Sky-Air Round Flow Sensing Cassette
Outdoor Unit Model No.	RZQ36TAVJU	Outdoor Unit Name:	Unknown
Rated Cooling Capacity (Btu/hr):	36,000	Rated Cooling Conditions:	Indoor (°F DB/WB): 80 / 67 Ambient (°F DB/WB): 95 / 75
Sensible Capacity (Btu/hr):	28,300	Rated Piping Length(ft):	25
Max/Min Cooling Capacity (Btu/hr):	/	Rated Height Difference (ft):	0.00
Cooling Input Power (kW):		Rated Heating Conditions:	Indoor (°F DB/WB): 70 / 60 Ambient (°F DB/WB): 47 / 43
SEER (Non-Ducted/Ducted):	17.60 /	HSPF (Non-Ducted/Ducted):	9.0 /
EER (Non-Ducted/Ducted):	11.40 /		
Rated Heating Capacity (Btu/hr):	40,000		

### SYSTEM DETAILS

Refrigerant Type:	R-410A	Cooling Operation Range (°F DB):	23 - 122
Holding Refrigerant Charge (lbs):	7.9	Heating Operation Range (°F WB):	-4 - 60
Additional Charge (lb/ft):	0.04	Max. Pipe Length (Vertical) (ft):	98
Pre-charge Piping (Length) (ft):	15	Cooling Range w/Baffle (°F DB):	0 - 122
Max. Pipe Length (Total) (ft):	230	Heating Range w/Baffle (°F WB):	-
Max Height Separation (Ind to Ind ft):	0		

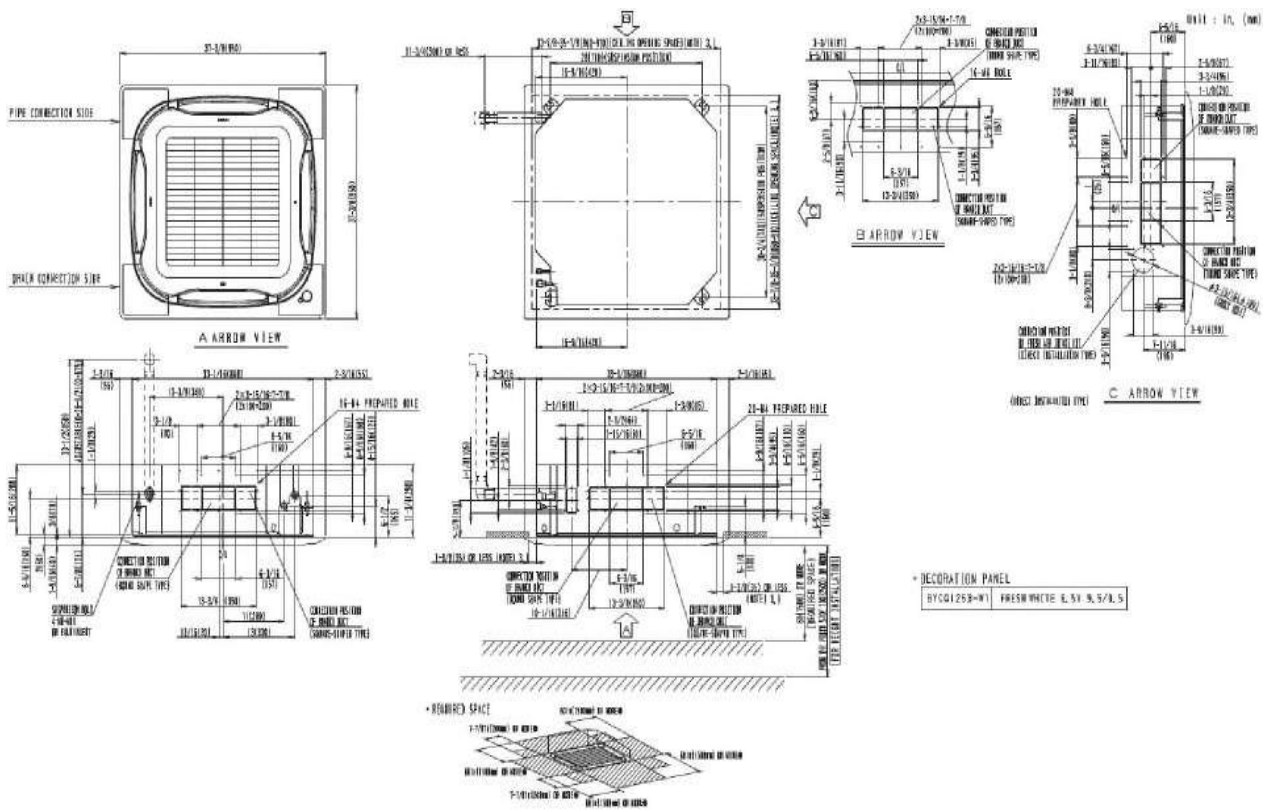


## Submittal Data Sheet

3.0-Ton Roundflow Sensing Cassette Unit  
FCQ36TAVJURZQ36TAVJU

### INDOOR UNIT DETAILS

Power Supply (V/Hz/Ph):	208-230 / 60 / 1	Airflow Rate (H/M/L) (CFM):	1165/918/671
Power Supply Connections:	L2, L2, Ground	Moisture Removal (Gal/hr):	
Min. Circuit Amps MCA (A):	1.5	Gas Pipe Connection (inch):	5/8
Max Overcurrent Protection (MOP) (A):	15	Liquid Pipe Connection (inch):	3/8
Dimensions (HxWxD) (in):	11-23/32 x 33-1/16 x 33-1/16	Condensate Connection (inch):	1
Net Weight (lb):	70	Sound Pressure (H/M/L) (dBA):	44/38/32
Ext. Static Pressure (Rated/Max) (inWg):	/	Sound Power Level (dBA):	



Daikin North America LLC, 5151 San Felipe, Suite 500, Houston, TX, 77056

Daikin City Generated Submittal Data

[www.daikinac.com](http://www.daikinac.com) [www.daikincomfort.com](http://www.daikincomfort.com)

(Daikin's products are subject to continuous improvements. Daikin reserves the right to modify product design, specifications and information in this data sheet without notice and without incurring any obligations)

Submittal Date: 6/3/2019 9:49:18 AM

Page 3 of 4

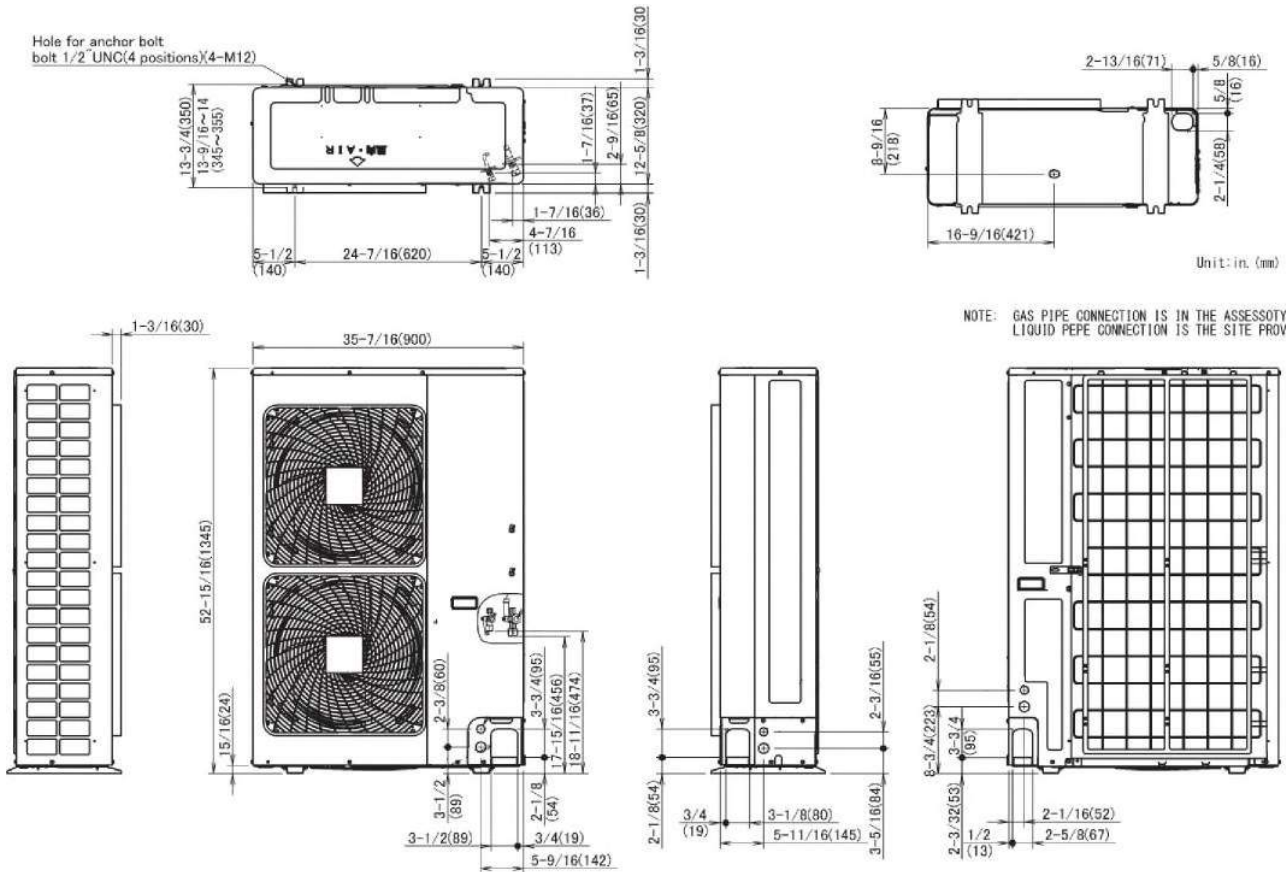


## Submittal Data Sheet

3.0-Ton Roundflow Sensing Cassette Unit  
FCQ36TAVJURZQ36TAVJU

### OUTDOOR UNIT DETAILS

Power Supply (V/Hz/Ph):	208-230 / 60 / 1	Compressor Stage:	
Power Supply Connections:	L1, L2, Ground	Capacity Control Range (%):	14 - 100
Min. Circuit Amps MCA (A):	29.1	Airflow Rate (H) (CFM):	3741
Max Overcurrent Protection (MOP) (A):	35	Gas Pipe Connection (inch):	5/8
Max Starting Current MSC(A):		Liquid Pipe Connection (inch):	3/8
Rated Load Amps RLA(A):	19	Sound Pressure (H) (dBA):	57
Dimensions (HxWxD) (in):	52-15/16 x 35-7/16 x 12-5/8	Sound Power Level (dBA):	
Net Weight (lb):	225		







**Submittal Data Sheet**

3.5-Ton Roundflow Sensing Cassette Unit  
FCQ42TAVJURZQ42TAVJU

**INDOOR UNIT**



**OUTDOOR UNIT**





## Submittal Data Sheet

3.5-Ton Roundflow Sensing Cassette Unit  
FCQ42TAVJURZQ42TAVJU

### SYSTEM PERFORMANCE

Indoor Unit Model No.	FCQ42TAVJU	Indoor Unit Name:	Sky-Air Round Flow Sensing Cassette
Outdoor Unit Model No.	RZQ42TAVJU	Outdoor Unit Name:	Unknown
Rated Cooling Capacity (Btu/hr):	42,000	Rated Cooling Conditions:	Indoor (°F DB/WB): 80 / 67 Ambient (°F DB/WB): 95 / 75
Sensible Capacity (Btu/hr):	30,600	Rated Piping Length(ft):	25
Max/Min Cooling Capacity (Btu/hr):	/	Rated Height Difference (ft):	0.00
Cooling Input Power (kW):		Rated Heating Conditions:	Indoor (°F DB/WB): 70 / 60 Ambient (°F DB/WB): 47 / 43
SEER (Non-Ducted/Ducted):	17.00 /	HSPF (Non-Ducted/Ducted):	8.6 /
EER (Non-Ducted/Ducted):	10.30 /		
Rated Heating Capacity (Btu/hr):	47,000		

### SYSTEM DETAILS

Refrigerant Type:	R-410A	Cooling Operation Range (°F DB):	23 - 122
Holding Refrigerant Charge (lbs):	7.9	Heating Operation Range (°F WB):	-4 - 60
Additional Charge (lb/ft):	0.04	Max. Pipe Length (Vertical) (ft):	98
Pre-charge Piping (Length) (ft):	15	Cooling Range w/Baffle (°F DB):	0 - 122
Max. Pipe Length (Total) (ft):	230	Heating Range w/Baffle (°F WB):	-
Max Height Separation (Ind to Ind ft):	0		

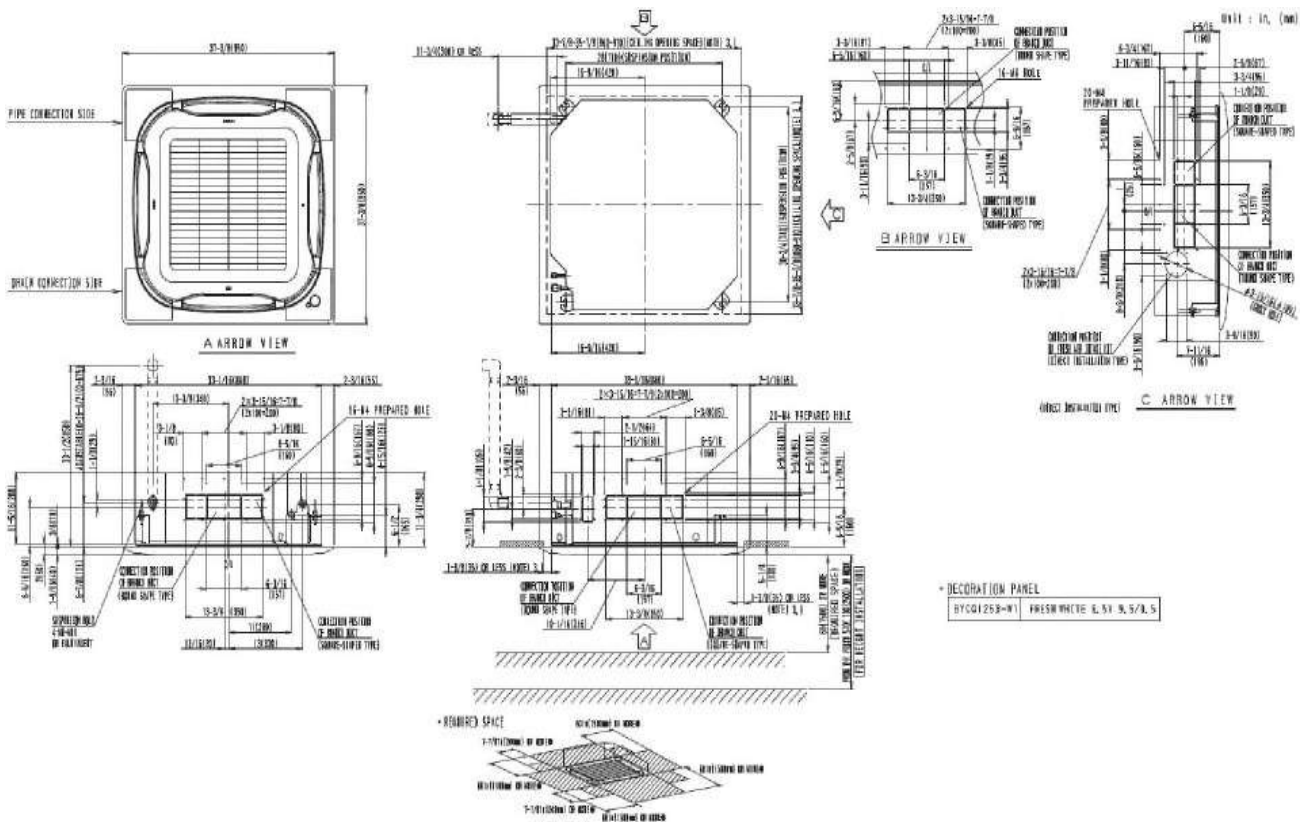


## Submittal Data Sheet

3.5-Ton Roundflow Sensing Cassette Unit  
FCQ42TAVJURZQ42TAVJU

### INDOOR UNIT DETAILS

Power Supply (V/Hz/Ph):	208-230 / 60 / 1	Airflow Rate (H/M/L) (CFM):	1218/971/742
Power Supply Connections:	L1, L2, Ground	Moisture Removal (Gal/hr):	
Min. Circuit Amps MCA (A):	1.8	Gas Pipe Connection (inch):	5/8
Max Overcurrent Protection (MOP) (A):	15	Liquid Pipe Connection (inch):	3/8
Dimensions (HxWxD) (in):	11-23/32 x 33-1/16 x 33-1/16	Condensate Connection (inch):	1
Net Weight (lb):	70	Sound Pressure (H/M/L) (dBA):	45/40/35
Ext. Static Pressure (Rated/Max) (inWg):	/	Sound Power Level (dBA):	



Daikin North America LLC, 5151 San Felipe, Suite 500, Houston, TX, 77056

Daikin City Generated Submittal Data

[www.daikinac.com](http://www.daikinac.com) [www.daikincomfort.com](http://www.daikincomfort.com)

(Daikin's products are subject to continuous improvements. Daikin reserves the right to modify product design, specifications and information in this data sheet without notice and without incurring any obligations)

Submittal Date: 6/3/2019 9:52:01 AM

Page 3 of 4

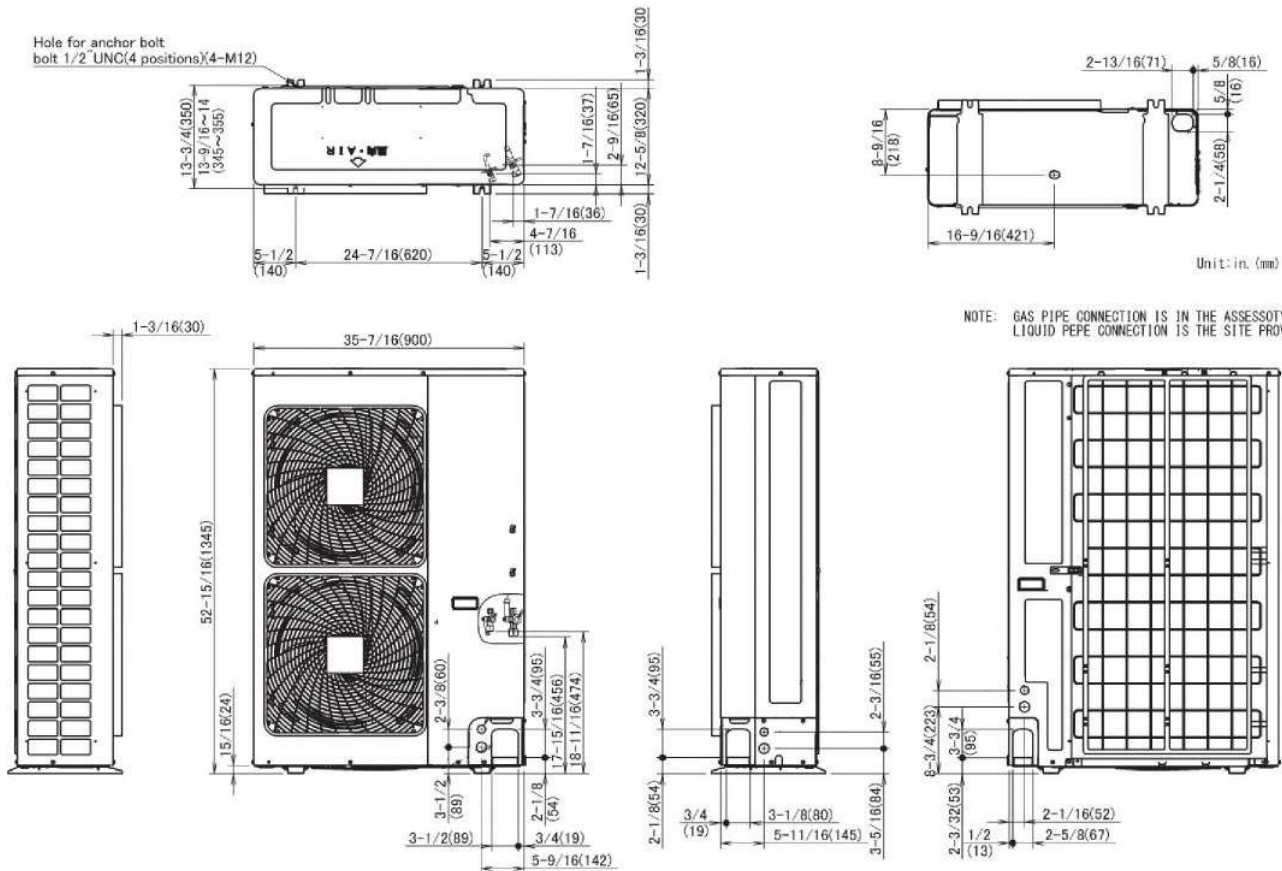


## Submittal Data Sheet

3.5-Ton Roundflow Sensing Cassette Unit  
FCQ42TAVJURZQ42TAVJU

### OUTDOOR UNIT DETAILS

Power Supply (V/Hz/Ph):	208-230 / 60 / 1	Compressor Stage:	
Power Supply Connections:	L1, L2, Ground	Capacity Control Range (%):	14 - 100
Min. Circuit Amps MCA (A):	29.1	Airflow Rate (H) (CFM):	3741
Max Overcurrent Protection (MOP) (A):	35	Gas Pipe Connection (inch):	5/8
Max Starting Current MSC(A):	19	Liquid Pipe Connection (inch):	3/8
Rated Load Amps RLA(A):		Sound Pressure (H) (dBA):	57
Dimensions (HxWxD) (in):	52-15/16 x 35-7/16 x 12-5/8	Sound Power Level (dBA):	
Net Weight (lb):	225		





**Submittal Data Sheet**

4.0-Ton Roundflow Sensing Cassette Unit  
FCQ48TAVJURZQ48TAVJU

**INDOOR UNIT**



**OUTDOOR UNIT**





## Submittal Data Sheet

4.0-Ton Roundflow Sensing Cassette Unit  
FCQ48TAVJURZQ48TAVJU

### SYSTEM PERFORMANCE

Indoor Unit Model No.	FCQ48TAVJU	Indoor Unit Name:	Sky-Air Round Flow Sensing Cassette
Outdoor Unit Model No.	RZQ48TAVJU	Outdoor Unit Name:	Unknown
Rated Cooling Capacity (Btu/hr):	48,000	Rated Cooling Conditions:	Indoor (°F DB/WB): 80 / 67 Ambient (°F DB/WB): 95 / 75
Sensible Capacity (Btu/hr):	35,000	Rated Piping Length(ft):	25
Max/Min Cooling Capacity (Btu/hr):	/	Rated Height Difference (ft):	0.00
Cooling Input Power (kW):		Rated Heating Conditions:	Indoor (°F DB/WB): 70 / 60 Ambient (°F DB/WB): 47 / 43
SEER (Non-Ducted/Ducted):	17.00 /	HSPF (Non-Ducted/Ducted):	9.3 /
EER (Non-Ducted/Ducted):	9.00 /		
Rated Heating Capacity (Btu/hr):	54,000		

### SYSTEM DETAILS

Refrigerant Type:	R-410A	Cooling Operation Range (°F DB):	23 - 122
Holding Refrigerant Charge (lbs):	7.9	Heating Operation Range (°F WB):	-4 - 60
Additional Charge (lb/ft):	0.04	Max. Pipe Length (Vertical) (ft):	98
Pre-charge Piping (Length) (ft):	15	Cooling Range w/Baffle (°F DB):	0 - 122
Max. Pipe Length (Total) (ft):	230	Heating Range w/Baffle (°F WB):	-
Max Height Separation (Ind to Ind ft):	0		

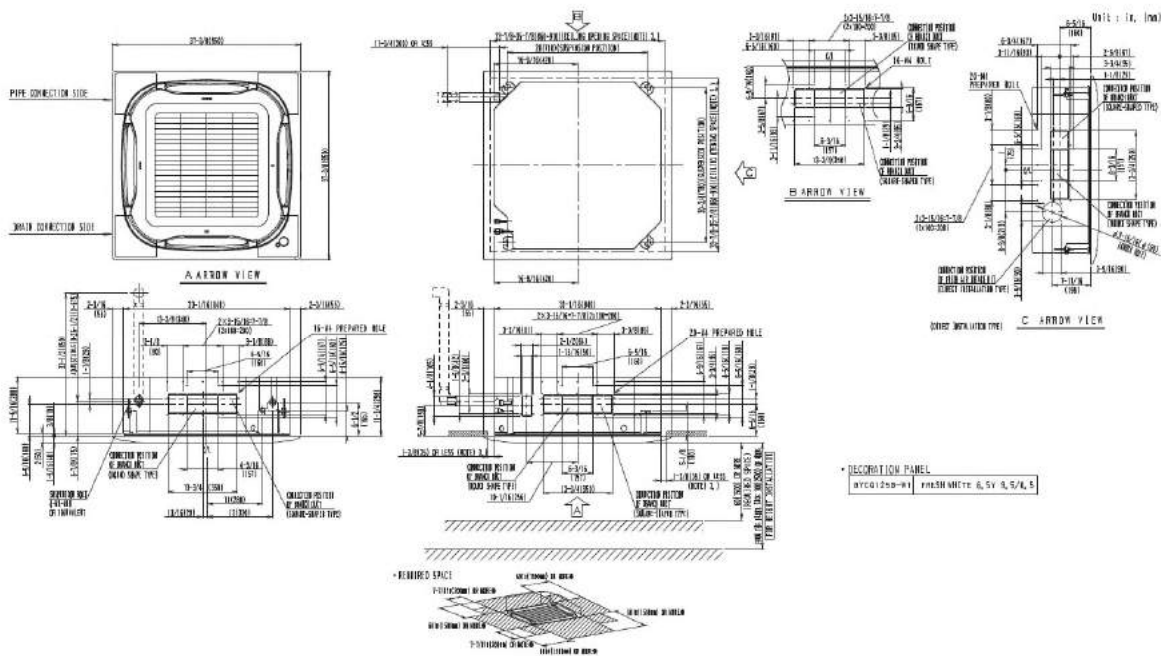


## Submittal Data Sheet

4.0-Ton Roundflow Sensing Cassette Unit  
FCQ48TAVJURZQ48TAVJU

### INDOOR UNIT DETAILS

Power Supply (V/Hz/Ph):	208-230 / 60 / 1	Airflow Rate (H/M/L) (CFM):	1218/971/742
Power Supply Connections:	L1, L2, Ground	Moisture Removal (Gal/hr):	
Min. Circuit Amps MCA (A):	1.8	Gas Pipe Connection (inch):	5/8
Max Overcurrent Protection (MOP) (A):	15	Liquid Pipe Connection (inch):	3/8
Dimensions (HxWxD) (in):	11-23/32 x 33-1/16 x 33-1/16	Condensate Connection (inch):	1-1/4
Net Weight (lb):	70	Sound Pressure (H/M/L) (dBA):	45/40/35
Ext. Static Pressure (Rated/Max) (inWg):	/	Sound Power Level (dBA):	



Daikin North America LLC, 5151 San Felipe, Suite 500, Houston, TX, 77056

Daikin City Generated Submittal Data

[www.daikinac.com](http://www.daikinac.com) [www.daikincomfort.com](http://www.daikincomfort.com)

(Daikin's products are subject to continuous improvements. Daikin reserves the right to modify product design, specifications and information in this data sheet without notice and without incurring any obligations)

Submittal Date: 6/3/2019 9:55:48 AM

Page 3 of 4



## Submittal Data Sheet

4.0-Ton Roundflow Sensing Cassette Unit  
FCQ48TAVJURZQ48TAVJU

### OUTDOOR UNIT DETAILS

Power Supply (V/Hz/Ph):	208-230 / 60 / 1	Compressor Stage:	
Power Supply Connections:	L1, L2, Ground	Capacity Control Range (%):	14 - 100
Min. Circuit Amps MCA (A):	29.1	Airflow Rate (H) (CFM):	3471
Max Overcurrent Protection (MOP) (A):	35	Gas Pipe Connection (inch):	5/8
Max Starting Current MSC(A):		Liquid Pipe Connection (inch):	3/8
Rated Load Amps RLA(A):	19	Sound Pressure (H) (dBA):	57
Dimensions (HxWxD) (in):	52-15/16 x 35-7/16 x 12-5/8	Sound Power Level (dBA):	
Net Weight (lb):	225		

