

Job Name:	
Tag#	



Submittal Data Sheet

FTXR09TVJUS / RX09RMVJU9

0.75-Ton Wall Mounted Heat Pump System



Complete warranty details available from your local dealer or at www.daikincomfort.com. To receive the 12-Year Parts Limited Warranty, online registration must be completed within 60 days of installation. Online registration is not required in California or Quebec. *If product is installed in a commercial application, limited warranty period is 5 years.*

Indoor Specifications

Airflow Rate (cfm)	Cooling		Heating	
	H	M	H	M
	L	SL	L	SL
	272	208	346	258
	162	134	201	117
Sound (dBA) H / M / L / SL	38 / 32 / 25 / 19		41 / 34 / 28 / 19	
Dimensions (H x W x D) (in)	11-15/16 x 39-5/16 x 8-3/8			
Weight (Lbs)	27			

Outdoor Specifications

Compressor	Hermetically Sealed Swing Type			
Refrigerant	R-410A			
Factory Charge	2.09			
Refrigerant Oil	PVE (FVC50K)			
Airflow Rate (cfm)	Cooling		Heating	
	H	985	H	1,140
Sound Pressure Level (dBA)	46/50			
Dimensions (H x W x D) (in)	21-5/8 x 26-9/16 x 11-3/16			
Weight (Lbs)	60			

Efficiency

Cooling		Heating	
SEER	18.0	HSPF	9.3
EER	11.0	COP	4.0

Performance

Cooling (Btu/hr)	
Rated (Min/Max)	9,000 (4,500 / 10,600)
Sensible @ AHRI	6,800
Standard Operating Range	50°F – 115°F
Extended Operating Range*	-4°F – 115°F

Rated Cooling Conditions: Indoor: 80°F DB/67°F WB
Outdoor: 95°F DB/75°F WB

*With field settings and wind baffle

Heating (Btu/hr)	
1: @ 47° Rated (Min/Max)	10,000 (4,100 / 14,600)
2: @ 17° Rated	6,400
3: @ 5°	4,480
Operating Range	5F – 65°F

1: Rated Heating Conditions: Indoor: 70°F DB/60°F WB
Outdoor: 47°F DB/43°F WB

2: Rated Heating Conditions: Indoor: 70°F DB/60°F WB
Outdoor: 17°F DB/15°F WB

3: Heating Conditions: Indoor: 70°F DB/60°F WB
Outdoor: 5°F DB/5°F WB

Electrical

	208/60/1	230/60/1
System MCA	9.0	9.0
System MFA	15	15
Compressor RLA	7.5	7.5
Outdoor fan motor FLA	.13	.13
Outdoor fan motor W	39	39
Indoor fan motor FLA	.13	.13
Indoor fan motor W	29	29

MFA: Max. fuse amps MCA: Min. circuit amps (A) FLA: Full load amps (A)
RLA: Rated load amps (A) W: Fan motor rated output (W)

Piping

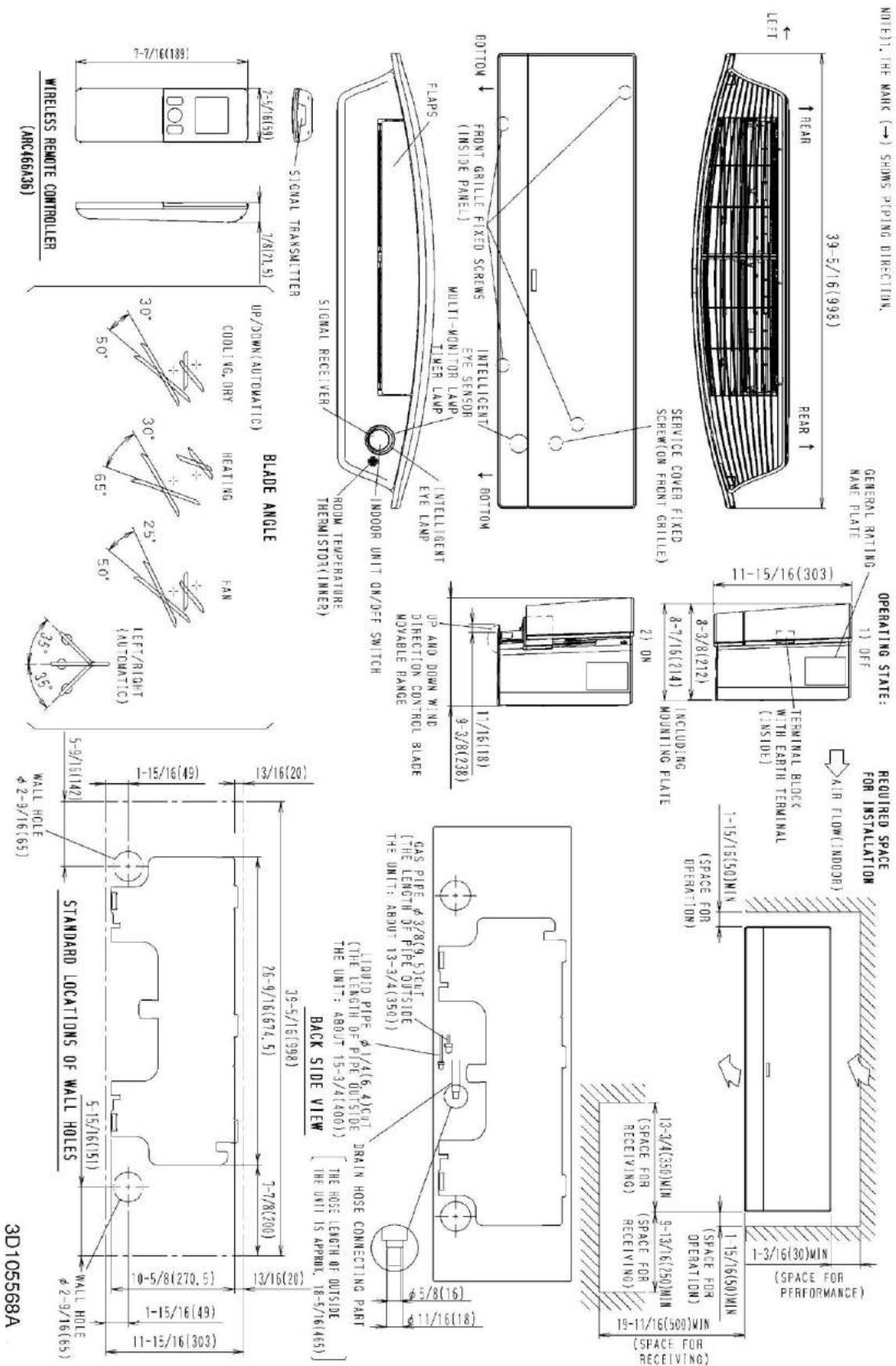
Liquid (in)	1/4
Gas (in)	3/8
Drain (in)	11/16
Max. Interunit Piping Length (ft)	65.625
Max. Interunit Height Difference (ft)	49.25
Chargeless (ft)	32.8
Additional Charge of Refrigerant (oz/ft)	.21

Daikin North America LLC 5151 San Felipe, Suite 500 Houston, TX 77056

(Daikin's products are subject to continuous improvements. Daikin reserves the right to modify product design, specifications and information in this data sheet without notice and without incurring any obligations)

FTXR09/12TVJUW(S)

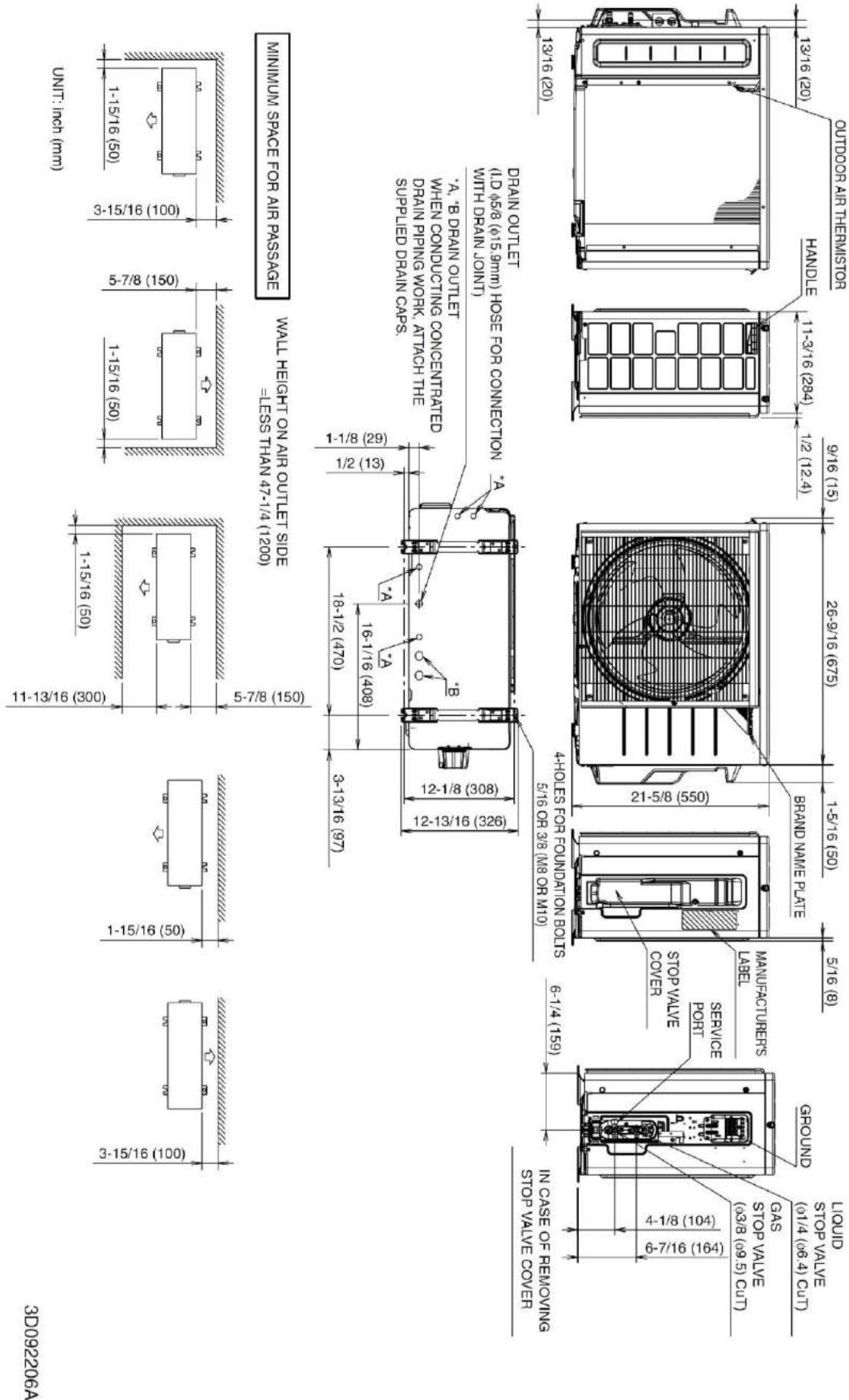
NOTE 1. THE MARK (→) SHOWS PIPING DIRECTION.



Daikin North America LLC 5151 San Felipe, Suite 500 Houston, TX 77056

(Daikin's products are subject to continuous improvements. Daikin reserves the right to modify product design, specifications and information in this data sheet without notice and without incurring any obligations)

RX09RMVJU9 Dimensional Data



3D092206A

Daikin North America LLC 5151 San Felipe, Suite 500 Houston, TX 77056

(Daikin's products are subject to continuous improvements. Daikin reserves the right to modify product design, specifications and information in this data sheet without notice and without incurring any obligations)



Indoor Unit

Included	Part Number	Description
	BRP072A43	Wireless Interface Adapter (S21 Adapter Included)
	BRC944B2-A08	Wired Remote Controller kit (Adaptor Required)
	BRCW901A08	Wired Remote Controller Cable – 25ft (Included in above kit)
	BRCW901A03	Wired Remote Controller Cable – 10ft
	KAF970A46	Titanium apatite photocatalytic air-purifying filter WITHOUT frame
	DACA-CP1-1	Inline Condensate Pump (fits inside all Daikin wall & floor mount units)
	DACA-CP4-1	External Condensate Pump
	DACA-CP1-1	Inline Condensate Pump (Fits inside all Daikin wall & floor mount units)
	DACA-CP4-1	External Condensate Pump
	KRP928BB2S	Interface Adaptor for DIII-NET

Outdoor Unit

Included	Part Number	Description
	DACA-WB-1	Powder-Coated Wall-Mounted Bracket
	KPW937F4	Air direction adjustment grille (09 & 12)
	KEH067A41E	Daikin BMS Drain Pan Heater Small (09 & 12)
	KKG067A41	Back protection wire net (09 & 12)
	KPS067A41	Snow hood (intake side plate) (09 & 12)
	KPS067A42	Snow hood (intake rear plate) (09 & 12)
	KPS067A44	Snow hood (outlet) (09 & 12)
	KKP937A4	Drain Plug for OD Unit

Job Name:	
Tag#	



Submittal Data Sheet

FTXR12TVJUS / RX12RMVJU9

1.0-Ton Wall Mounted Heat Pump System



Complete warranty details available from your local dealer or at www.daikincomfort.com. To receive the 12-Year Parts Limited Warranty, online registration must be completed within 60 days of installation. Online registration is not required in California or Quebec. *If product is installed in a commercial application, limited warranty period is 5 years.*

Indoor Specifications

Airflow Rate (cfm)	Cooling		Heating	
	H	M	H	M
	335	219	395	290
	L	SL	L	SL
	169	131	226	131
Sound (dBA) H / M / L / SL	45 / 34 / 26 / 20		45 / 37 / 29 / 20	
Dimensions (H x W x D) (in)	11-15/16 x 39-5/16 x 8-3/8			
Weight (Lbs)	27			

Outdoor Specifications

Compressor	Hermetically Sealed Swing Type			
Refrigerant	R-410A			
Factory Charge (lbs)	2.09			
Refrigerant Oil	PVE (FVC50K)			
Airflow Rate (cfm)	Cooling		Heating	
	H	M	H	M
		1,105		1,130
Sound Pressure Level (dBA)	49/51			
Dimensions (H x W x D) (in)	21-5/8 x 26-9/16 x 11-3/16			
Weight (Lbs)	60			

Efficiency

Cooling		Heating	
SEER	17.0	HSPF	10.0
EER	11.0	COP	3.58

Performance

Cooling (Btu/hr)	
Rated (Min/Max)	12,000 (4,500 / 12,800)
Sensible @ AHRI	8,660
Standard Operating Range	50°F – 115°F
Extended Operating Range*	-4°F – 115°F

Rated Cooling Conditions: Indoor: 80°F DB/67°F WB
Outdoor: 95°F DB/75°F WB

*With field settings and wind baffle

Heating (Btu/hr)	
1: @ 47° Rated (Min/Max)	13,500 (4,100 / 15,800)
2: @ 17° Rated	8,700
3: @ 5°	6,040
Operating Range	5F – 65°F

1: Rated Heating Conditions: Indoor: 70°F DB/60°F WB
Outdoor: 47°F DB/43°F WB
2: Rated Heating Conditions: Indoor: 70°F DB/60°F WB
Outdoor: 17°F DB/15°F WB
3: Heating Conditions: Indoor: 70°F DB/60°F WB
Outdoor: 5°F DB/5°F WB

Electrical

	208/60/1	230/60/1
System MCA	9.1	9.1
System MFA	15	15
Compressor RLA	7.5	7.5
Outdoor fan motor FLA	.15	.15
Outdoor fan motor W	39	39
Indoor fan motor FLA	.19	.19
Indoor fan motor W	29	29

MFA: Max. fuse amps MCA: Min. circuit amps (A) FLA: Full load amps (A)
RLA: Rated load amps (A) W: Fan motor rated output (W)

Piping

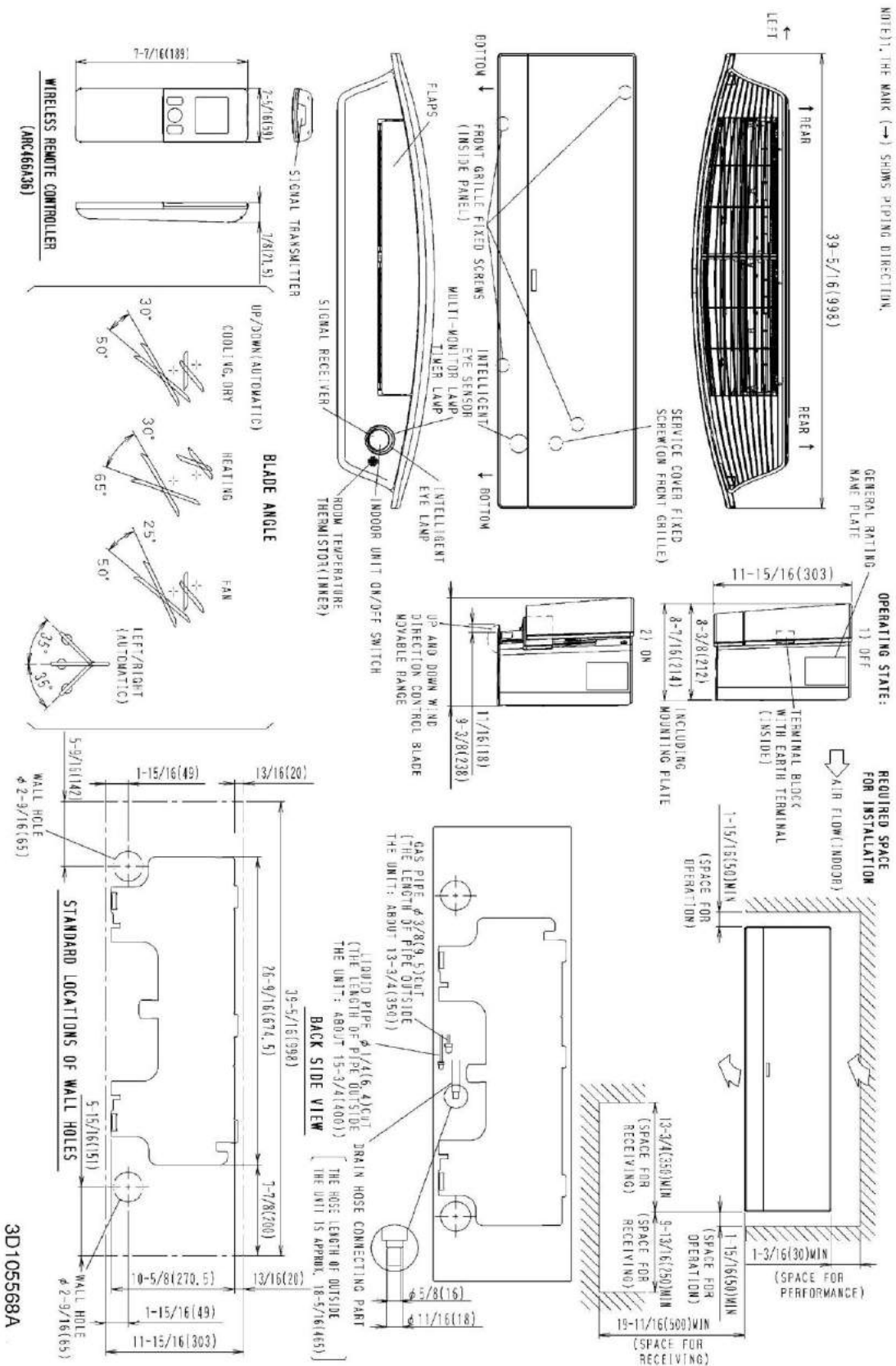
Liquid (in)	1/4
Gas (in)	3/8
Drain (in)	11/16
Max. Interunit Piping Length (ft)	65.625
Max. Interunit Height Difference (ft)	49.25
Chargeless (ft)	32.8
Additional Charge of Refrigerant (oz/ft)	.21

Daikin North America LLC 5151 San Felipe, Suite 500 Houston, TX 77056

(Daikin's products are subject to continuous improvements. Daikin reserves the right to modify product design, specifications and information in this data sheet without notice and without incurring any obligations)

FTXR09/12TVJUW(S)

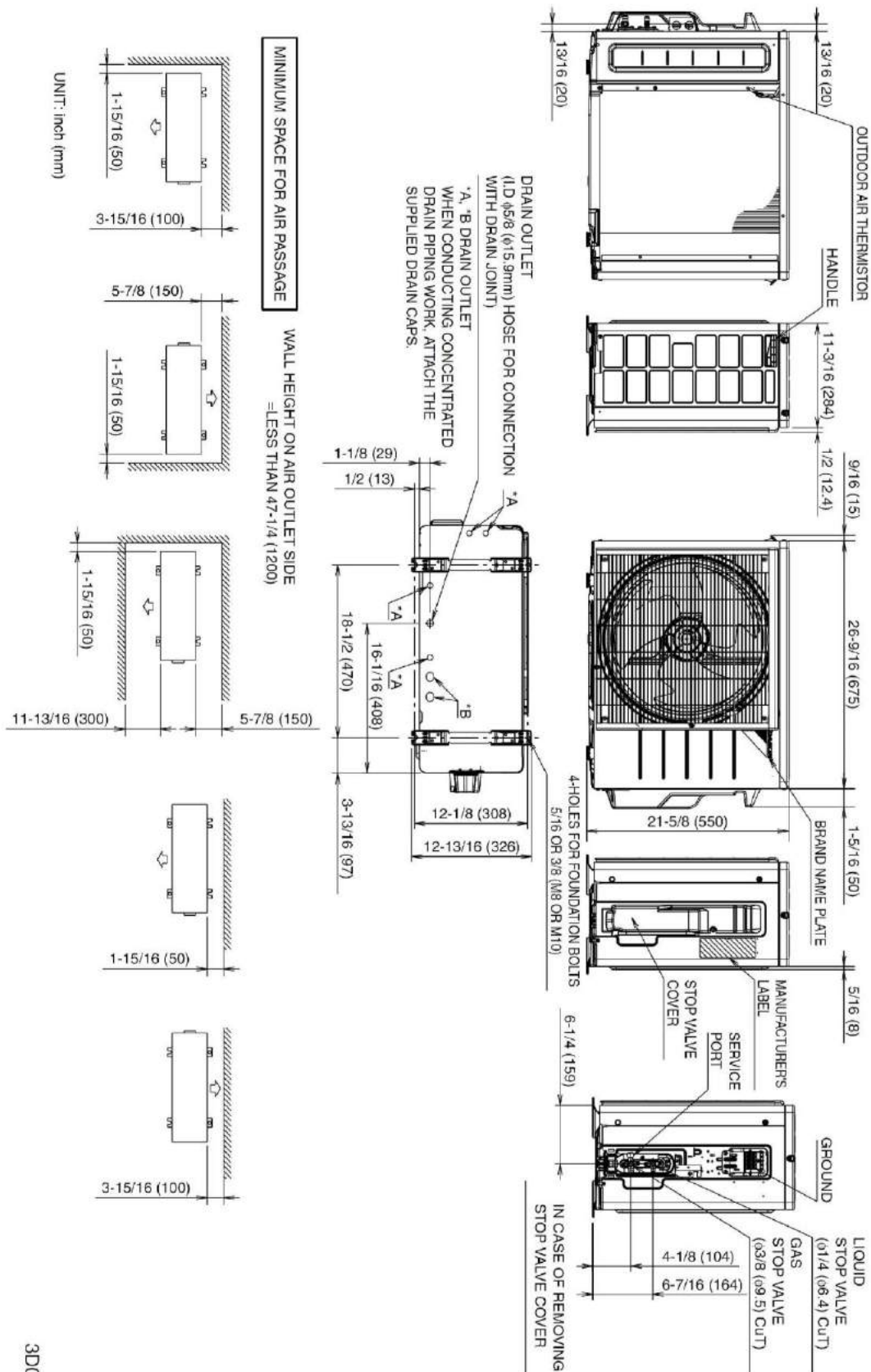
NOTE 1. THE MARK (→) SHOWS PIPING DIRECTION.



Daikin North America LLC 5151 San Felipe, Suite 500 Houston, TX 77056

(Daikin's products are subject to continuous improvements. Daikin reserves the right to modify product design, specifications and information in this data sheet without notice and without incurring any obligations)

RX12RMVJU9 Dimensional Data



3D092206A

Daikin North America LLC 5151 San Felipe, Suite 500 Houston, TX 77056

(Daikin's products are subject to continuous improvements. Daikin reserves the right to modify product design, specifications and information in this data sheet without notice and without incurring any obligations)



Indoor Unit

Included	Part Number	Description
	BRP072A43	Wireless Interface Adapter (S21 Adapter Included)
	BRC944B2-A08	Wired Remote Controller kit (Adaptor Required)
	BRCW901A08	Wired Remote Controller Cable – 25ft (Included in above kit)
	BRCW901A03	Wired Remote Controller Cable – 10ft
	KAF970A46	Titanium apatite photocatalytic air-purifying filter WITHOUT frame
	DACA-CP1-1	Inline Condensate Pump (fits inside all Daikin wall & floor mount units)
	DACA-CP4-1	External Condensate Pump
	DACA-CP1-1	Inline Condensate Pump (Fits inside all Daikin wall & floor mount units)
	DACA-CP4-1	External Condensate Pump
	KRP928BB2S	Interface Adaptor for DIII-NET

Outdoor Unit

Included	Part Number	Description
	DACA-WB-1	Powder-Coated Wall-Mounted Bracket
	KPW937F4	Air direction adjustment grille (09 & 12)
	KEH067A41E	Daikin BMS Drain Pan Heater Small (09 & 12)
	KKG067A41	Back protection wire net (09 & 12)
	KPS067A41	Snow hood (intake side plate) (09 & 12)
	KPS067A42	Snow hood (intake rear plate) (09 & 12)
	KPS067A44	Snow hood (outlet) (09 & 12)
	KKP937A4	Drain Plug for OD Unit

Job Name:	
Tag#	



Submittal Data Sheet

FTXR18TVJUS / RX18RMVJU9A

1.5-Ton Wall Mounted Heat Pump System



Complete warranty details available from your local dealer or at www.daikincomfort.com. To receive the 12-Year Parts Limited Warranty, online registration must be completed within 60 days of installation. Online registration is not required in California or Quebec. *If product is installed in a commercial application, limited warranty period is 5 years.*

Indoor Specifications

Airflow Rate (cfm)	Cooling		Heating	
	H	M	H	M
	L	SL	L	SL
	350	245	413	332
	226	208	275	208
Sound (dBA) H / M / L / SL	46 / 40 / 35 / 30		47 / 41 / 35 / 30	
Dimensions (H x W x D) (in)	11-15/16 x 39-5/16 x 8-3/8			
Weight (Lbs)	27			

Outdoor Specifications

Compressor	Hermetically Sealed Swing Type			
Refrigerant	R-410A			
Factory Charge (lbs)	2.49			
Refrigerant Oil	PVE (FVC50K)			
Airflow Rate (cfm)	Cooling		Heating	
	H	M	H	M
		2,461		2,553
Sound Pressure Level (dBA)	54/55			
Dimensions (H x W x D) (in)	28-15/16 x 34-1/4 x 12-5/8			
Weight (Lbs)	97			

Efficiency

Cooling		Heating	
SEER	14.5	HSPF	9.8
EER	9.6	COP	3.34

Performance

Cooling (Btu/hr)	
Rated (Min/Max)	18,000 (5,800 / 21,200)
Sensible @ AHRI	11,590
Standard Operating Range	50°F – 115°F
Extended Operating Range*	-4°F – 115°F

Rated Cooling Conditions: Indoor: 80°F DB/67°F WB
Outdoor: 95°F DB/75°F WB

*With field settings and wind baffle

Heating (Btu/hr)	
1: @ 47° Rated (Min/Max)	20,000 (5,800 / 21,200)
2: @ 17° Rated	13,300
3: @ 5°	8,970
Operating Range	5F – 65°F

1: Rated Heating Conditions: Indoor: 70°F DB/60°F WB
Outdoor: 47°F DB/43°F WB

2: Rated Heating Conditions: Indoor: 70°F DB/60°F WB
Outdoor: 17°F DB/15°F WB

3: Heating Conditions: Indoor: 70°F DB/60°F WB
Outdoor: 5°F DB/5°F WB

Electrical

	208/60/1	230/60/1
System MCA	12.8	12.8
System MFA	15	15
Compressor RLA	10.75	10.75
Outdoor fan motor FLA	.38	.38
Outdoor fan motor W	110	110
Indoor fan motor FLA	.21	.21
Indoor fan motor W	29	29

MFA: Max. fuse amps MCA: Min. circuit amps (A) FLA: Full load amps (A)
RLA: Rated load amps (A) W: Fan motor rated output (W)

Piping

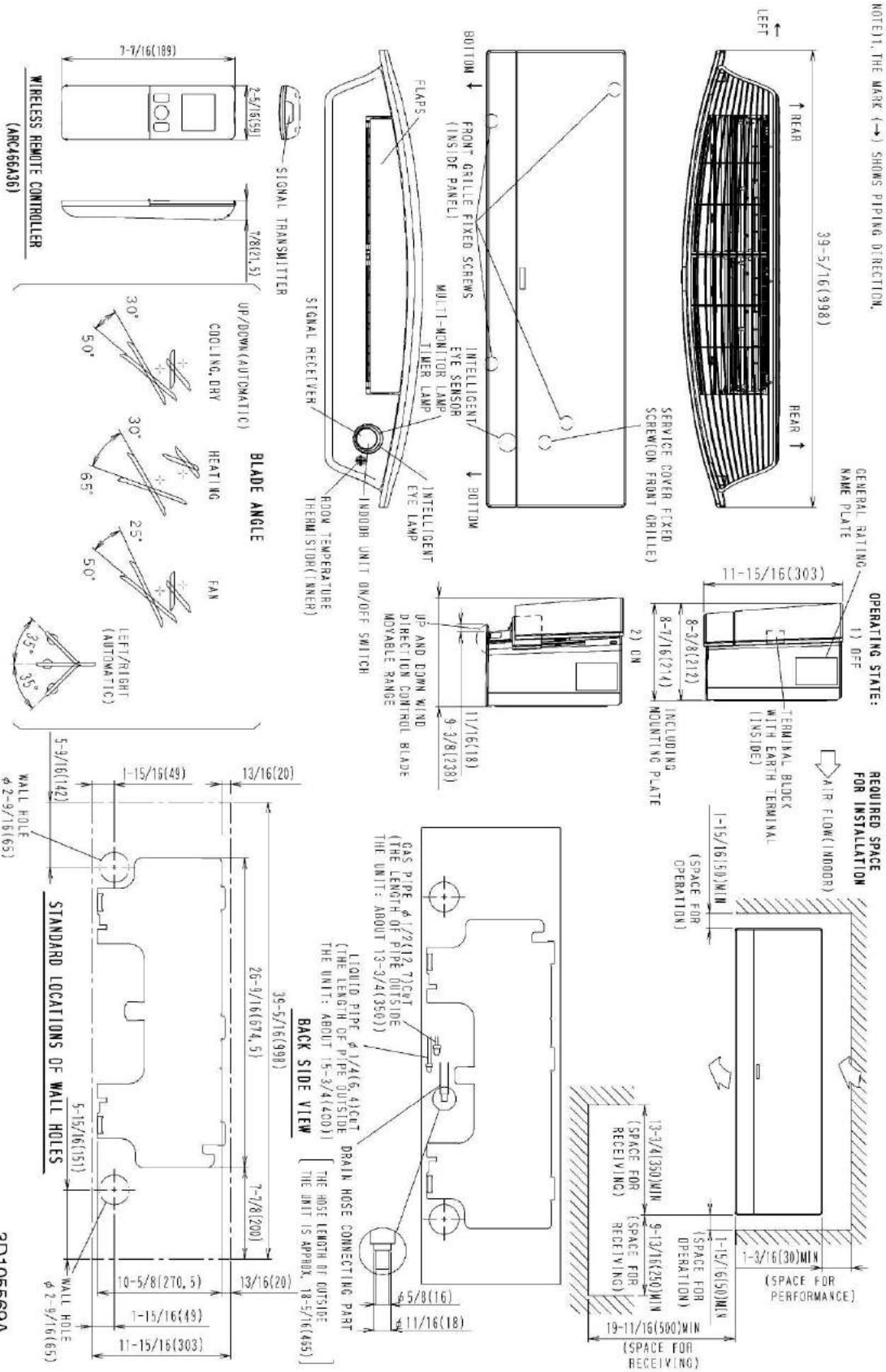
Liquid (in)	1/4
Gas (in)	1/2
Drain (in)	11/16
Max. Interunit Piping Length (ft)	98.4
Max. Interunit Height Difference (ft)	65.6
Chargeless (ft)	32.8
Additional Charge of Refrigerant (oz/ft)	.21

Daikin North America LLC 5151 San Felipe, Suite 500 Houston, TX 77056

(Daikin's products are subject to continuous improvements. Daikin reserves the right to modify product design, specifications and information in this data sheet without notice and without incurring any obligations)

FTXR18TVJUW(S)

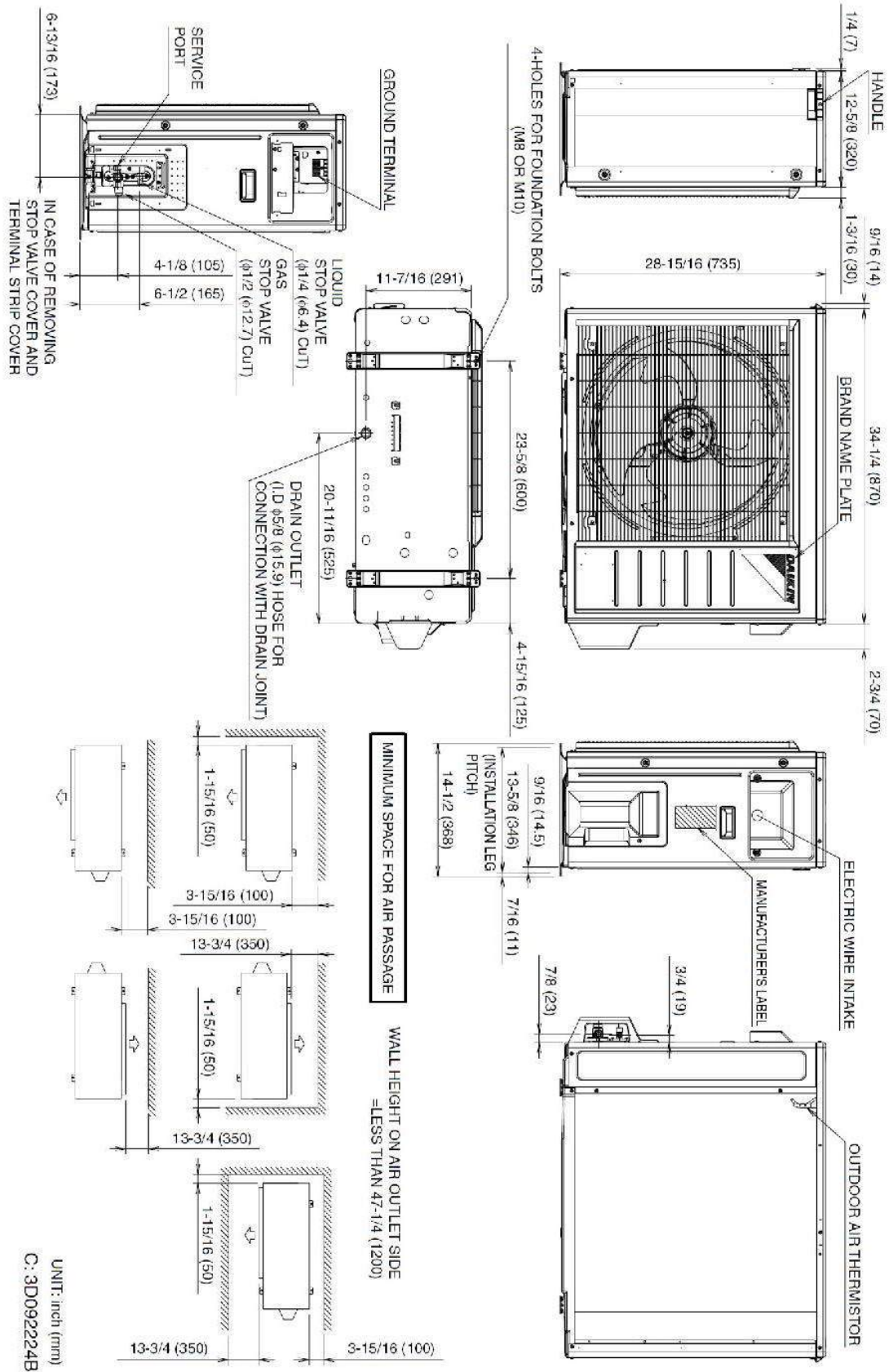
NOTE(1): THE MARK (→) SHOWS PIPING DIRECTION.



Daikin North America LLC 5151 San Felipe, Suite 500 Houston, TX 77056

(Daikin's products are subject to continuous improvements. Daikin reserves the right to modify product design, specifications and information in this data sheet without notice and without incurring any obligations)

RX18RMVJU9A Dimensional Data



Daikin North America LLC 5151 San Felipe, Suite 500 Houston, TX 77056

(Daikin's products are subject to continuous improvements. Daikin reserves the right to modify product design, specifications and information in this data sheet without notice and without incurring any obligations)



Indoor Unit

Included	Part Number	Description
	BRP072A43	Wireless Interface Adapter (S21 Adapter Included)
	BRC944B2-A08	Wired Remote Controller kit (Adaptor Required)
	BRCW901A08	Wired Remote Controller Cable – 25ft (Included in above kit)
	BRCW901A03	Wired Remote Controller Cable – 10ft
	KAF970A46	Titanium apatite photocatalytic air-purifying filter WITHOUT frame
	DACA-CP1-1	Inline Condensate Pump (fits inside all Daikin wall & floor mount units)
	DACA-CP4-1	External Condensate Pump
	DACA-CP1-1	Inline Condensate Pump (Fits inside all Daikin wall & floor mount units)
	DACA-CP4-1	External Condensate Pump
	KRP928BB2S	Interface Adaptor for DIII-NET

Outdoor Unit

Included	Part Number	Description
	DACA-WB-1	Powder-Coated Wall-Mounted Bracket
	KEH063A4E	Drain Pan Heater
	KKP937A4	Drain Plug for OD Unit
	KPW063B4	Low Ambient Wind Baffle / Air Adjustment Grille (15/18 /24MBH)
	KKG063A42	Back Protection Wire Net (15/18/24MBH)

Job Name:	
Tag#	



Submittal Data Sheet	FTXR09TVJUW / RX09RMVJU9
0.75-Ton Wall Mounted Heat Pump System	



Complete warranty details available from your local dealer or at www.daikincomfort.com. To receive the 12-Year Parts Limited Warranty, online registration must be completed within 60 days of installation. Online registration is not required in California or Quebec. *If product is installed in a commercial application, limited warranty period is 5 years.*

Indoor Specifications

Airflow Rate (cfm)	Cooling		Heating	
	H	M	H	M
	L	SL	L	SL
	272	208	346	258
	162	134	201	117
Sound (dBA) H / M / L / SL	38 / 32 / 25 / 19		41 / 34 / 28 / 19	
Dimensions (H x W x D) (in)	11-15/16 x 39-5/16 x 8-3/8			
Weight (Lbs)	27			

Outdoor Specifications

Compressor	Hermetically Sealed Swing Type			
Refrigerant	R-410A			
Factory Charge	2.09			
Refrigerant Oil	PVE (FVC50K)			
Airflow Rate (cfm)	Cooling		Heating	
	H	985	H	1,140
Sound Pressure Level (dBA)	46/50			
Dimensions (H x W x D) (in)	21-5/8 x 26-9/16 x 11-3/16			
Weight (Lbs)	60			

Efficiency

Cooling		Heating	
SEER	18.0	HSPF	9.3
EER	11.0	COP	4.0

Performance

Cooling (Btu/hr)	
Rated (Min/Max)	9,000 (4,500 / 10,600)
Sensible @ AHRI	6,800
Standard Operating Range	50°F – 115°F
Extended Operating Range*	-4°F – 115°F

Rated Cooling Conditions: Indoor: 80°F DB/67°F WB
Outdoor: 95°F DB/75°F WB

*With field settings and wind baffle

Heating (Btu/hr)	
1: @ 47° Rated (Min/Max)	10,000 (4,100 / 14,600)
2: @ 17° Rated	6,400
3: @ 5°	4,480
Operating Range	5F – 65°F

1: Rated Heating Conditions: Indoor: 70°F DB/60°F WB
Outdoor: 47°F DB/43°F WB

2: Rated Heating Conditions: Indoor: 70°F DB/60°F WB
Outdoor: 17°F DB/15°F WB

3: Heating Conditions: Indoor: 70°F DB/60°F WB
Outdoor: 5°F DB/5°F WB

Electrical

	208/60/1	230/60/1
System MCA	9.0	9.0
System MFA	15	15
Compressor RLA	7.5	7.5
Outdoor fan motor FLA	.13	.13
Outdoor fan motor W	39	39
Indoor fan motor FLA	.13	.13
Indoor fan motor W	29	29

MFA: Max. fuse amps MCA: Min. circuit amps (A) FLA: Full load amps (A)
RLA: Rated load amps (A) W: Fan motor rated output (W)

Piping

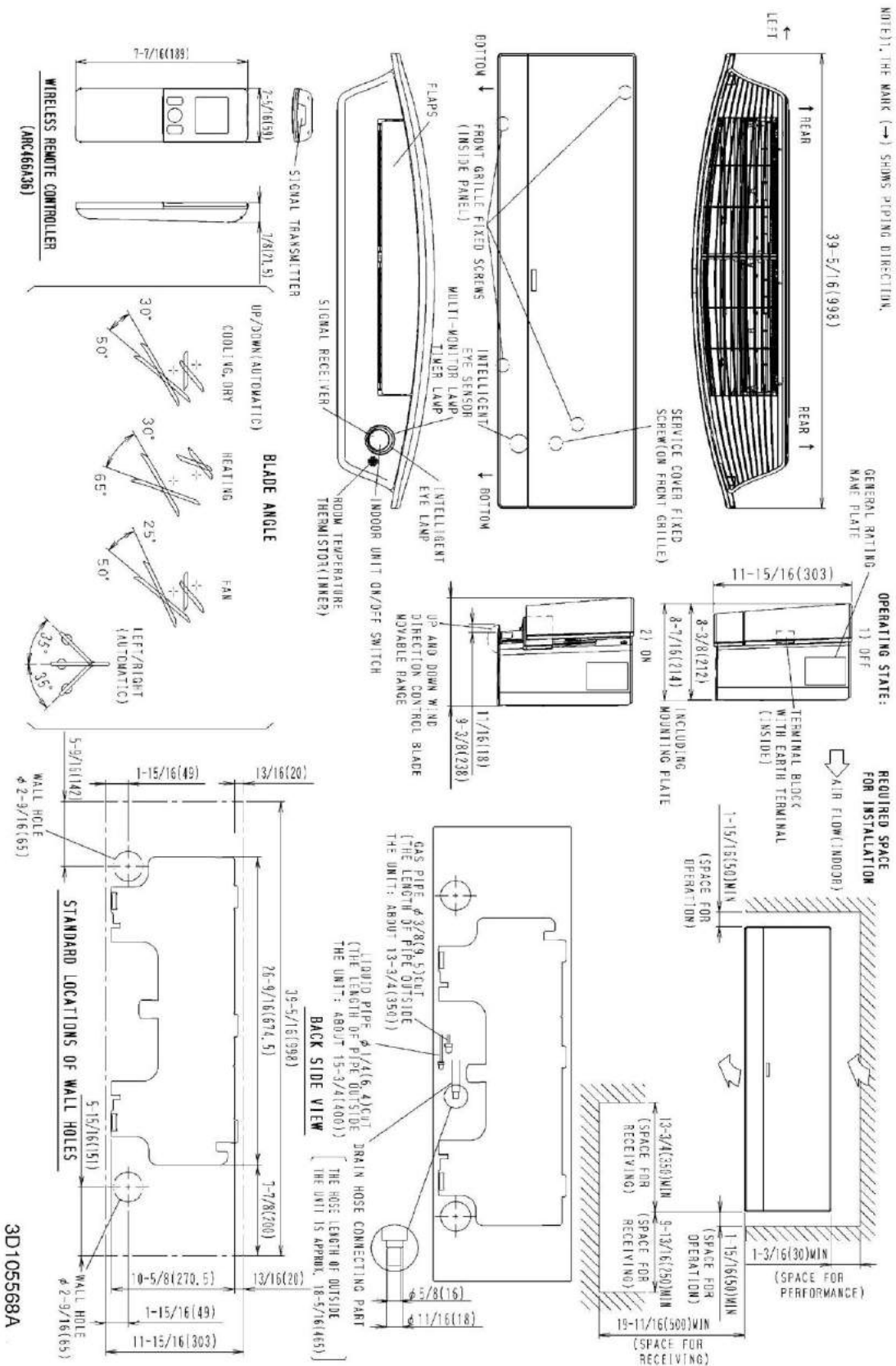
Liquid (in)	1/4
Gas (in)	3/8
Drain (in)	11/16
Max. Interunit Piping Length (ft)	65.625
Max. Interunit Height Difference (ft)	49.25
Chargeless (ft)	32.8
Additional Charge of Refrigerant (oz/ft)	.21

Daikin North America LLC 5151 San Felipe, Suite 500 Houston, TX 77056

(Daikin's products are subject to continuous improvements. Daikin reserves the right to modify product design, specifications and information in this data sheet without notice and without incurring any obligations)

FTXR09/12TVJUW(S)

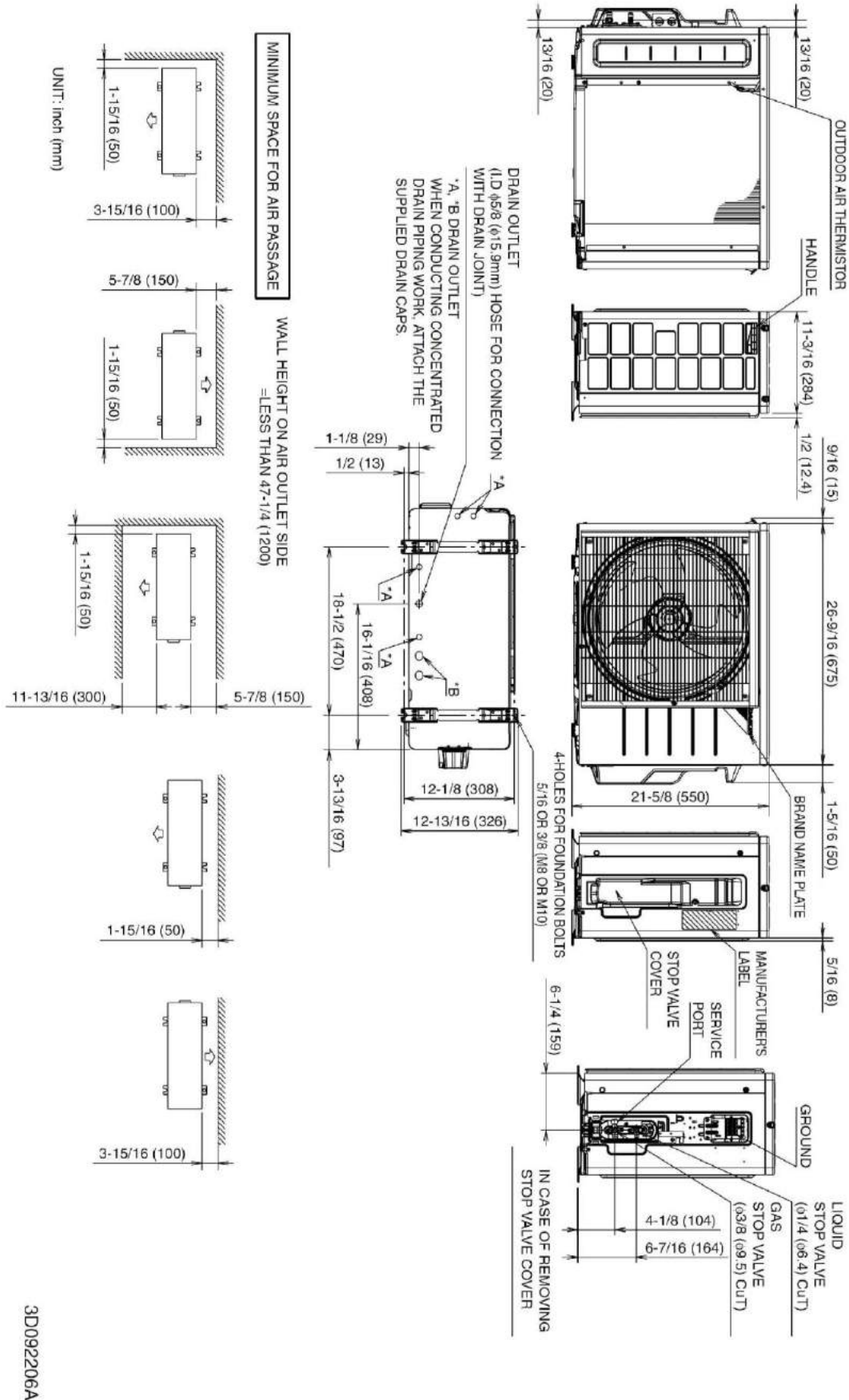
NOTE: 1. THE MARK (→) SHOWS PIPING DIRECTION.



Daikin North America LLC 5151 San Felipe, Suite 500 Houston, TX 77056

(Daikin's products are subject to continuous improvements. Daikin reserves the right to modify product design, specifications and information in this data sheet without notice and without incurring any obligations)

RX09RMVJU9 Dimensional Data



Daikin North America LLC 5151 San Felipe, Suite 500 Houston, TX 77056

(Daikin's products are subject to continuous improvements. Daikin reserves the right to modify product design, specifications and information in this data sheet without notice and without incurring any obligations)



Indoor Unit

Included	Part Number	Description
	BRP072A43	Wireless Interface Adapter (S21 Adapter Included)
	BRC944B2-A08	Wired Remote Controller kit (Adaptor Required)
	BRCW901A08	Wired Remote Controller Cable – 25ft (Included in above kit)
	BRCW901A03	Wired Remote Controller Cable – 10ft
	KAF970A46	Titanium apatite photocatalytic air-purifying filter WITHOUT frame
	DACA-CP1-1	Inline Condensate Pump (fits inside all Daikin wall & floor mount units)
	DACA-CP4-1	External Condensate Pump
	DACA-CP1-1	Inline Condensate Pump (Fits inside all Daikin wall & floor mount units)
	DACA-CP4-1	External Condensate Pump
	KRP928BB2S	Interface Adaptor for DIII-NET

Outdoor Unit

Included	Part Number	Description
	DACA-WB-1	Powder-Coated Wall-Mounted Bracket
	KPW937F4	Air direction adjustment grille (09 & 12)
	KEH067A41E	Daikin BMS Drain Pan Heater Small (09 & 12)
	KKG067A41	Back protection wire net (09 & 12)
	KPS067A41	Snow hood (intake side plate) (09 & 12)
	KPS067A42	Snow hood (intake rear plate) (09 & 12)
	KPS067A44	Snow hood (outlet) (09 & 12)
	KKP937A4	Drain Plug for OD Unit

Job Name:	
Tag#	



Submittal Data Sheet	FTXR12TVJUW / RX12RMVJU9
1.0-Ton Wall Mounted Heat Pump System	



Complete warranty details available from your local dealer or at www.daikincomfort.com. To receive the 12-Year Parts Limited Warranty, online registration must be completed within 60 days of installation. Online registration is not required in California or Quebec. *If product is installed in a commercial application, limited warranty period is 5 years.*

Indoor Specifications

Airflow Rate (cfm)	Cooling		Heating	
	H	M	H	M
	335	219	395	290
Sound (dBA) H / M / L / SL	L	SL	L	SL
	169	131	226	131
Dimensions (H x W x D) (in)	11-15/16 x 39-5/16 x 8-3/8			
Weight (Lbs)	27			

Outdoor Specifications

Compressor	Hermetically Sealed Swing Type			
Refrigerant	R-410A			
Factory Charge (lbs)	2.09			
Refrigerant Oil	PVE (FVC50K)			
Airflow Rate (cfm)	Cooling		Heating	
	H	1,105	H	1,130
Sound Pressure Level (dBA)	49/51			
Dimensions (H x W x D) (in)	21-5/8 x 26-9/16 x 11-3/16			
Weight (Lbs)	60			

Efficiency

Cooling		Heating	
SEER	17.0	HSPF	10.0
EER	11.0	COP	3.58

Performance

Cooling (Btu/hr)	
Rated (Min/Max)	12,000 (4,500 / 12,800)
Sensible @ AHRI	8,660
Standard Operating Range	50°F – 115°F
Extended Operating Range*	-4°F – 115°F

Rated Cooling Conditions: Indoor: 80°F DB/67°F WB
Outdoor: 95°F DB/75°F WB

*With field settings and wind baffle

Heating (Btu/hr)	
1: @ 47° Rated (Min/Max)	13,500 (4,100 / 15,800)
2: @ 17° Rated	8,700
3: @ 5°	6,040
Operating Range	5F – 65°F

1: Rated Heating Conditions: Indoor: 70°F DB/60°F WB
Outdoor: 47°F DB/43°F WB
2: Rated Heating Conditions: Indoor: 70°F DB/60°F WB
Outdoor: 17°F DB/15°F WB
3: Heating Conditions: Indoor: 70°F DB/60°F WB
Outdoor: 5°F DB/5°F WB

Electrical

	208/60/1	230/60/1
System MCA	9.1	9.1
System MFA	15	15
Compressor RLA	7.5	7.5
Outdoor fan motor FLA	.15	.15
Outdoor fan motor W	39	39
Indoor fan motor FLA	.19	.19
Indoor fan motor W	29	29

MFA: Max. fuse amps MCA: Min. circuit amps (A) FLA: Full load amps (A)
RLA: Rated load amps (A) W: Fan motor rated output (W)

Piping

Liquid (in)	1/4
Gas (in)	3/8
Drain (in)	11/16
Max. Interunit Piping Length (ft)	65.625
Max. Interunit Height Difference (ft)	49.25
Chargeless (ft)	32.8
Additional Charge of Refrigerant (oz/ft)	.21

Daikin North America LLC 5151 San Felipe, Suite 500 Houston, TX 77056

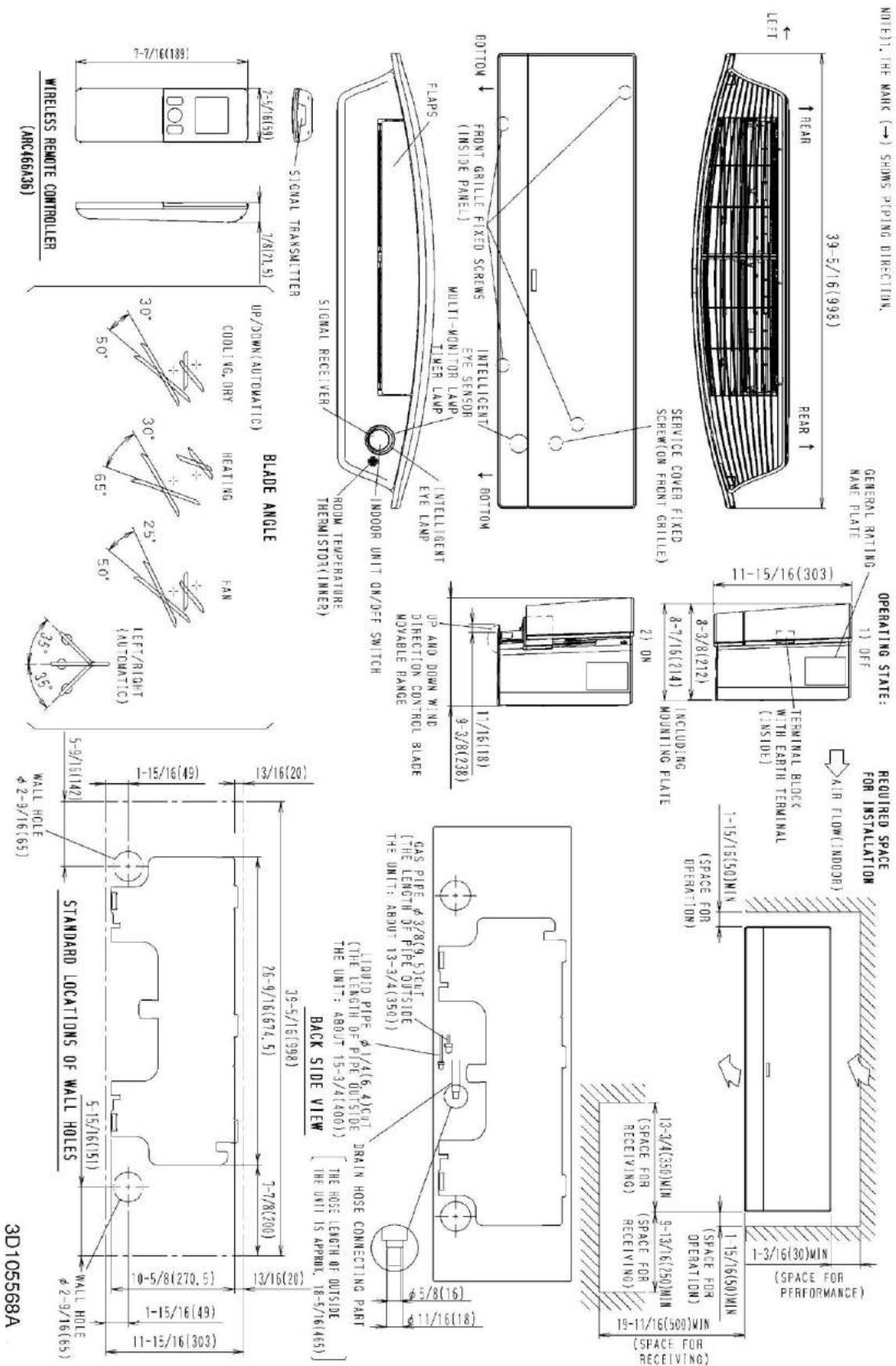
(Daikin's products are subject to continuous improvements. Daikin reserves the right to modify product design, specifications and information in this data sheet without notice and without incurring any obligations)

FTXR12TVJUW Dimensional Data



FTXR09/12TVJUW(S)

NOTE: 1. THE MARK (→) SHOWS PIPING DIRECTION.



Daikin North America LLC 5151 San Felipe, Suite 500 Houston, TX 77056

(Daikin's products are subject to continuous improvements. Daikin reserves the right to modify product design, specifications and information in this data sheet without notice and without incurring any obligations)



Indoor Unit

Included	Part Number	Description
	BRP072A43	Wireless Interface Adapter (S21 Adapter Included)
	BRC944B2-A08	Wired Remote Controller kit (Adaptor Required)
	BRCW901A08	Wired Remote Controller Cable – 25ft (Included in above kit)
	BRCW901A03	Wired Remote Controller Cable – 10ft
	KAF970A46	Titanium apatite photocatalytic air-purifying filter WITHOUT frame
	DACA-CP1-1	Inline Condensate Pump (fits inside all Daikin wall & floor mount units)
	DACA-CP4-1	External Condensate Pump
	DACA-CP1-1	Inline Condensate Pump (Fits inside all Daikin wall & floor mount units)
	DACA-CP4-1	External Condensate Pump
	KRP928BB2S	Interface Adaptor for DIII-NET

Outdoor Unit

Included	Part Number	Description
	DACA-WB-1	Powder-Coated Wall-Mounted Bracket
	KPW937F4	Air direction adjustment grille (09 & 12)
	KEH067A41E	Daikin BMS Drain Pan Heater Small (09 & 12)
	KKG067A41	Back protection wire net (09 & 12)
	KPS067A41	Snow hood (intake side plate) (09 & 12)
	KPS067A42	Snow hood (intake rear plate) (09 & 12)
	KPS067A44	Snow hood (outlet) (09 & 12)
	KKP937A4	Drain Plug for OD Unit

Job Name:	
Tag#	



Submittal Data Sheet	FTXR18TVJUW / RX18RMVJU9A
1.5-Ton Wall Mounted Heat Pump System	



Complete warranty details available from your local dealer or at www.daikincomfort.com. To receive the 12-Year Parts Limited Warranty, online registration must be completed within 60 days of installation. Online registration is not required in California or Quebec. *If product is installed in a commercial application, limited warranty period is 5 years.*

Indoor Specifications

Airflow Rate (cfm)	Cooling		Heating	
	H	M	H	M
	L	SL	L	SL
	350	245	413	332
	226	208	275	208
Sound (dBA) H / M / L / SL	46 / 40 / 35 / 30		47 / 41 / 35 / 30	
Dimensions (H x W x D) (in)	11-15/16 x 39-5/16 x 8-3/8			
Weight (Lbs)	27			

Outdoor Specifications

Compressor	Hermetically Sealed Swing Type			
Refrigerant	R-410A			
Factory Charge (lbs)	2.49			
Refrigerant Oil	PVE (FVC50K)			
Airflow Rate (cfm)	Cooling		Heating	
	H	M	H	M
		2,461		2,553
Sound Pressure Level (dBA)	54/55			
Dimensions (H x W x D) (in)	28-15/16 x 34-1/4 x 12-5/8			
Weight (Lbs)	97			

Efficiency

Cooling		Heating	
SEER	14.5	HSPF	9.8
EER	9.6	COP	3.34

Performance

Cooling (Btu/hr)	
Rated (Min/Max)	18,000 (5,800 / 21,200)
Sensible @ AHRI	11,590
Standard Operating Range	50°F – 115°F
Extended Operating Range*	-4°F – 115°F

Rated Cooling Conditions: Indoor: 80°F DB/67°F WB
Outdoor: 95°F DB/75°F WB

*With field settings and wind baffle

Heating (Btu/hr)	
1: @ 47° Rated (Min/Max)	20,000 (5,800 / 21,200)
2: @ 17° Rated	13,300
3: @ 5°	8,970
Operating Range	5F – 65°F

1: Rated Heating Conditions: Indoor: 70°F DB/60°F WB
Outdoor: 47°F DB/43°F WB

2: Rated Heating Conditions: Indoor: 70°F DB/60°F WB
Outdoor: 17°F DB/15°F WB

3: Heating Conditions: Indoor: 70°F DB/60°F WB
Outdoor: 5°F DB/5°F WB

Electrical

	208/60/1	230/60/1
System MCA	12.8	12.8
System MFA	15	15
Compressor RLA	10.75	10.75
Outdoor fan motor FLA	.38	.38
Outdoor fan motor W	110	110
Indoor fan motor FLA	.21	.21
Indoor fan motor W	29	29

MFA: Max. fuse amps MCA: Min. circuit amps (A) FLA: Full load amps (A)
RLA: Rated load amps (A) W: Fan motor rated output (W)

Piping

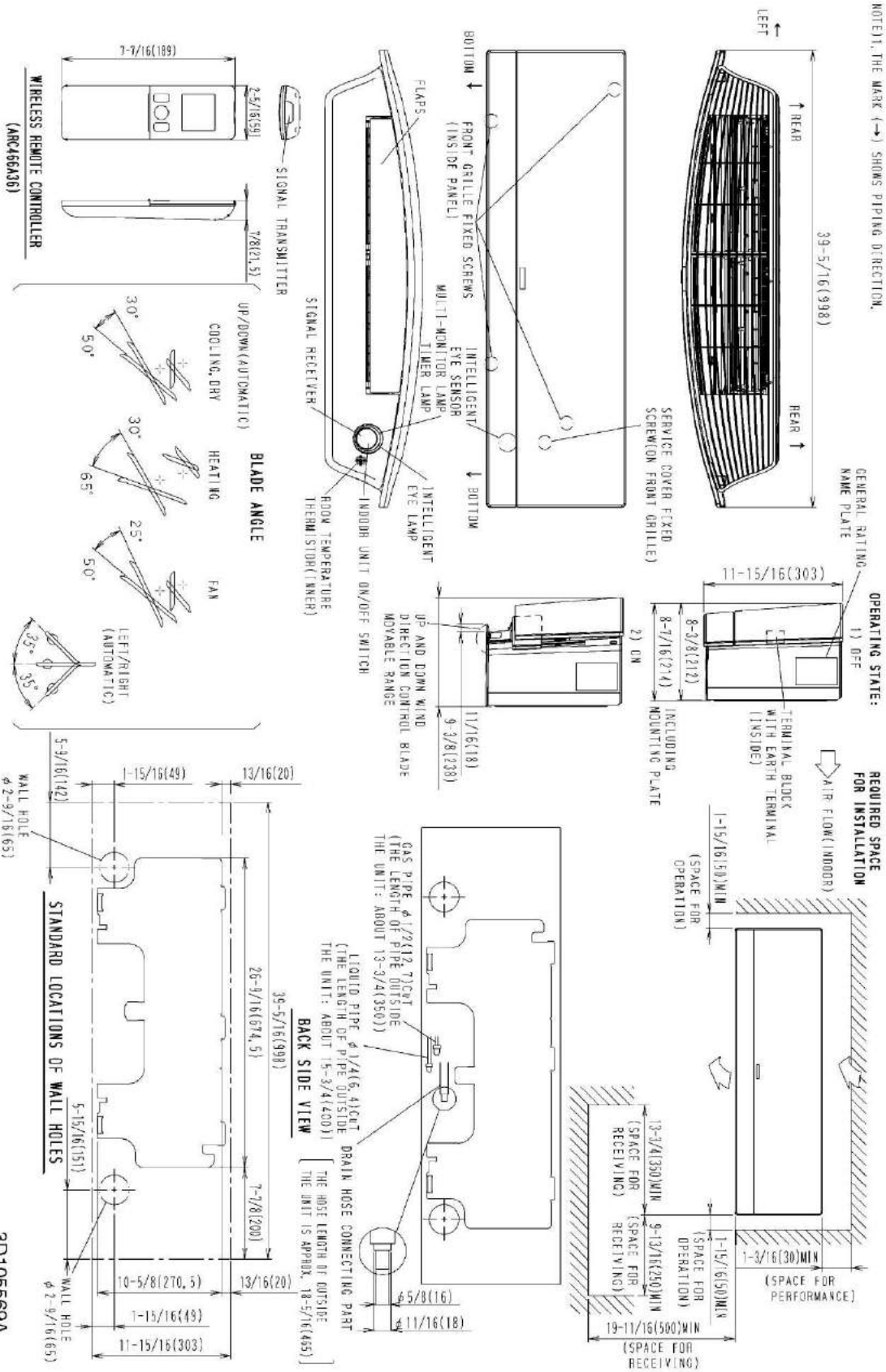
Liquid (in)	1/4
Gas (in)	1/2
Drain (in)	11/16
Max. Interunit Piping Length (ft)	98.4
Max. Interunit Height Difference (ft)	65.6
Chargeless (ft)	32.8
Additional Charge of Refrigerant (oz/ft)	.21

Daikin North America LLC 5151 San Felipe, Suite 500 Houston, TX 77056

(Daikin's products are subject to continuous improvements. Daikin reserves the right to modify product design, specifications and information in this data sheet without notice and without incurring any obligations)

FTXR18TVJUW(S)

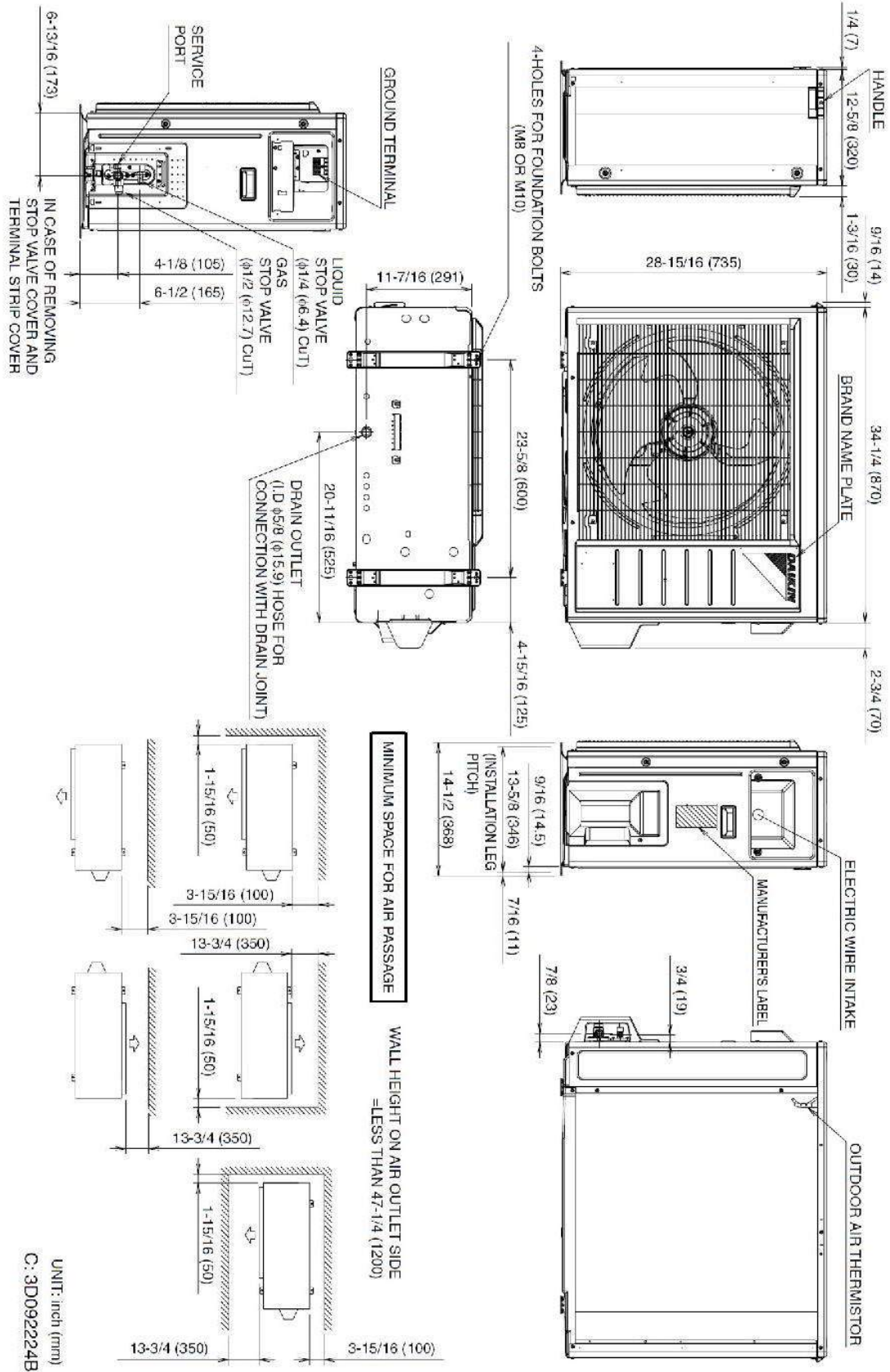
NOTE(1): THE MARK (→) SHOWS PIPING DIRECTION.



Daikin North America LLC 5151 San Felipe, Suite 500 Houston, TX 77056

(Daikin's products are subject to continuous improvements. Daikin reserves the right to modify product design, specifications and information in this data sheet without notice and without incurring any obligations)

RX18RMVJU9A Dimensional Data



Daikin North America LLC 5151 San Felipe, Suite 500 Houston, TX 77056

(Daikin's products are subject to continuous improvements. Daikin reserves the right to modify product design, specifications and information in this data sheet without notice and without incurring any obligations)



Indoor Unit

Included	Part Number	Description
	BRP072A43	Wireless Interface Adapter (S21 Adapter Included)
	BRC944B2-A08	Wired Remote Controller kit (Adaptor Required)
	BRCW901A08	Wired Remote Controller Cable – 25ft (Included in above kit)
	BRCW901A03	Wired Remote Controller Cable – 10ft
	KAF970A46	Titanium apatite photocatalytic air-purifying filter WITHOUT frame
	DACA-CP1-1	Inline Condensate Pump (fits inside all Daikin wall & floor mount units)
	DACA-CP4-1	External Condensate Pump
	DACA-CP1-1	Inline Condensate Pump (Fits inside all Daikin wall & floor mount units)
	DACA-CP4-1	External Condensate Pump
	KRP928BB2S	Interface Adaptor for DIII-NET

Outdoor Unit

Included	Part Number	Description
	DACA-WB-1	Powder-Coated Wall-Mounted Bracket
	KEH063A4E	Drain Pan Heater
	KKP937A4	Drain Plug for OD Unit
	KPW063B4	Low Ambient Wind Baffle / Air Adjustment Grille (15/18 /24MBH)
	KKG063A42	Back Protection Wire Net (15/18/24MBH)