

Job Name:	
Tag#	



Submittal Data Sheet	FTK09AXVJU / RK09AXVJU
0.75-Ton Wall Mounted Cooling Only System	



Efficiency	
Cooling	
SEER	19
EER	12.5

Performance	
Cooling (Btu/hr)	
Rated (Min/Max)	8,900 (4,400 / 10,200)
Sensible @ AHRI	8,040
Moisture Removal gal/h	.08
Standard Operating Range	50°F – 115°F
Extended Operating Range*	-4°F – 115°F
Rated Cooling Conditions:	
Indoor:	80°F DB/67°F WB
Outdoor:	95°F DB/75°F WB
*With field settings and wind baffle	

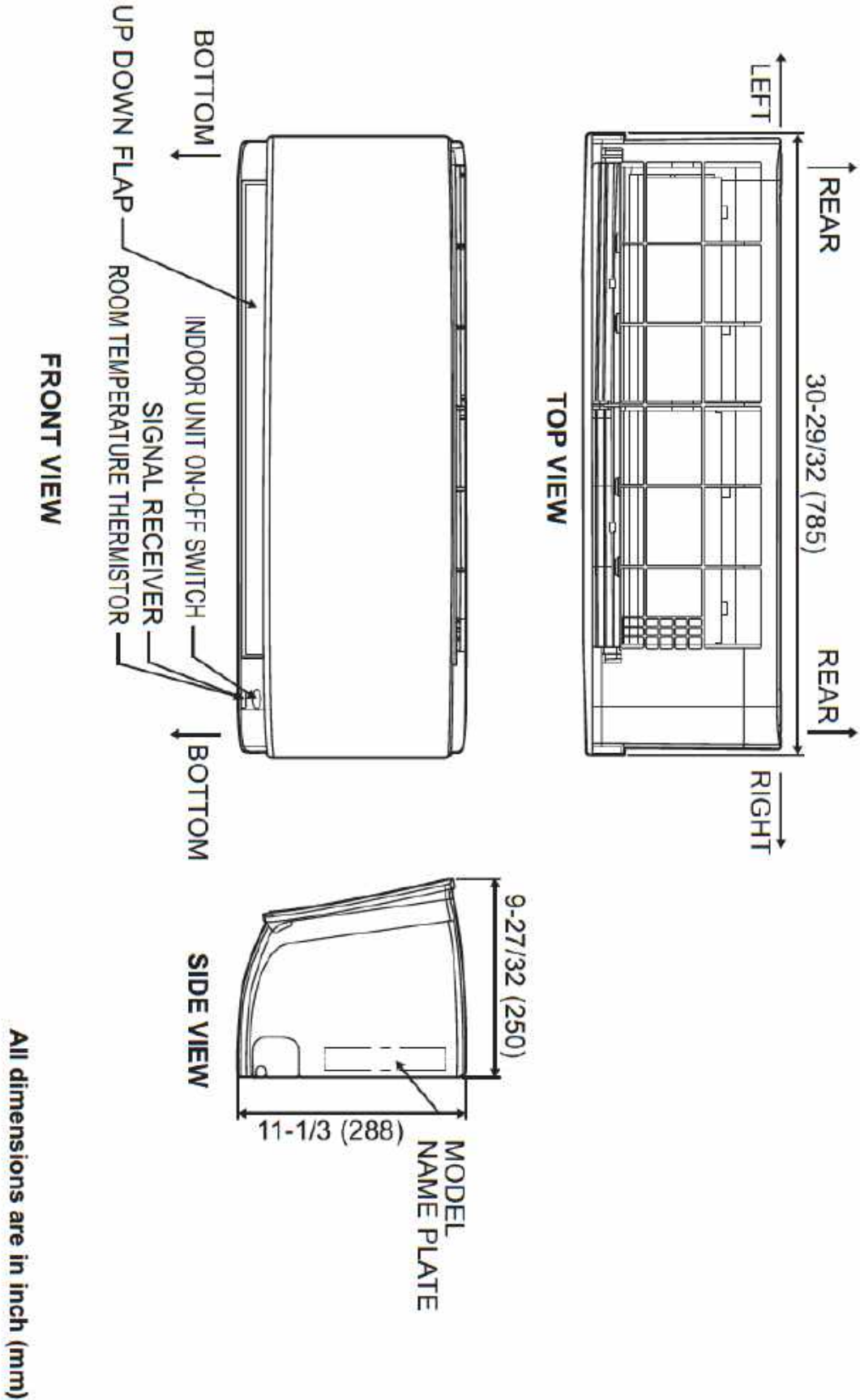
Complete warranty details available from your local dealer or at www.daikincomfort.com. To receive the 12-Year Parts Limited Warranty, online registration must be completed within 60 days of installation. Online registration is not required in California or Quebec. If product is installed in a commercial application, limited warranty period is 5 years.

Indoor Specifications		
Airflow Rate (cfm)	Cooling	
	H	M
	431	322
	L	SL
249	142	
Sound (dBA) H / M / L / SL	43 / 36 / 30 / 19	
Dimensions (H x W x D) (in)	11-1/3 x 30-29/32 x 9-27/32	
Weight (Lbs)	20	

Electrical		
	208/60/1	230/60/1
System MCA	7.0	7.0
System MFA	15.0	15.0
Compressor RLA	6.75	6.75
Outdoor fan motor FLA	0.36	0.36
Outdoor fan motor W	41	41
Indoor fan motor FLA	0.30	0.30
Indoor fan motor W	38	38
MFA: Max. fuse amps MCA: Min. circuit amps (A) FLA: Full load amps (A)		
RLA: Rated load amps (A) W: Fan motor rated output (W)		

Outdoor Specifications		
Compressor	Hermetically Sealed Swing Type	
Refrigerant	R-410A	
Factory Charge (Lbs)	1.54	
Refrigerant Oil	PVE (FVC50K)	
Airflow Rate (cfm)	Cooling	
	H	1,083
Sound Pressure Level (dBA)	46	
Dimensions (H x W x D) (in)	21-11/16 x 26-1/2 x 11-3/16	
Weight (Lbs)	55	

Piping	
Liquid (in)	1/4
Gas (in)	3/8
Drain (in)	3/4
Max. Interunit Piping Length (ft)	65.625
Max. Interunit Height Difference (ft)	49.25
Chargeless (ft)	32.8
Additional Charge of Refrigerant (oz/ft)	.21

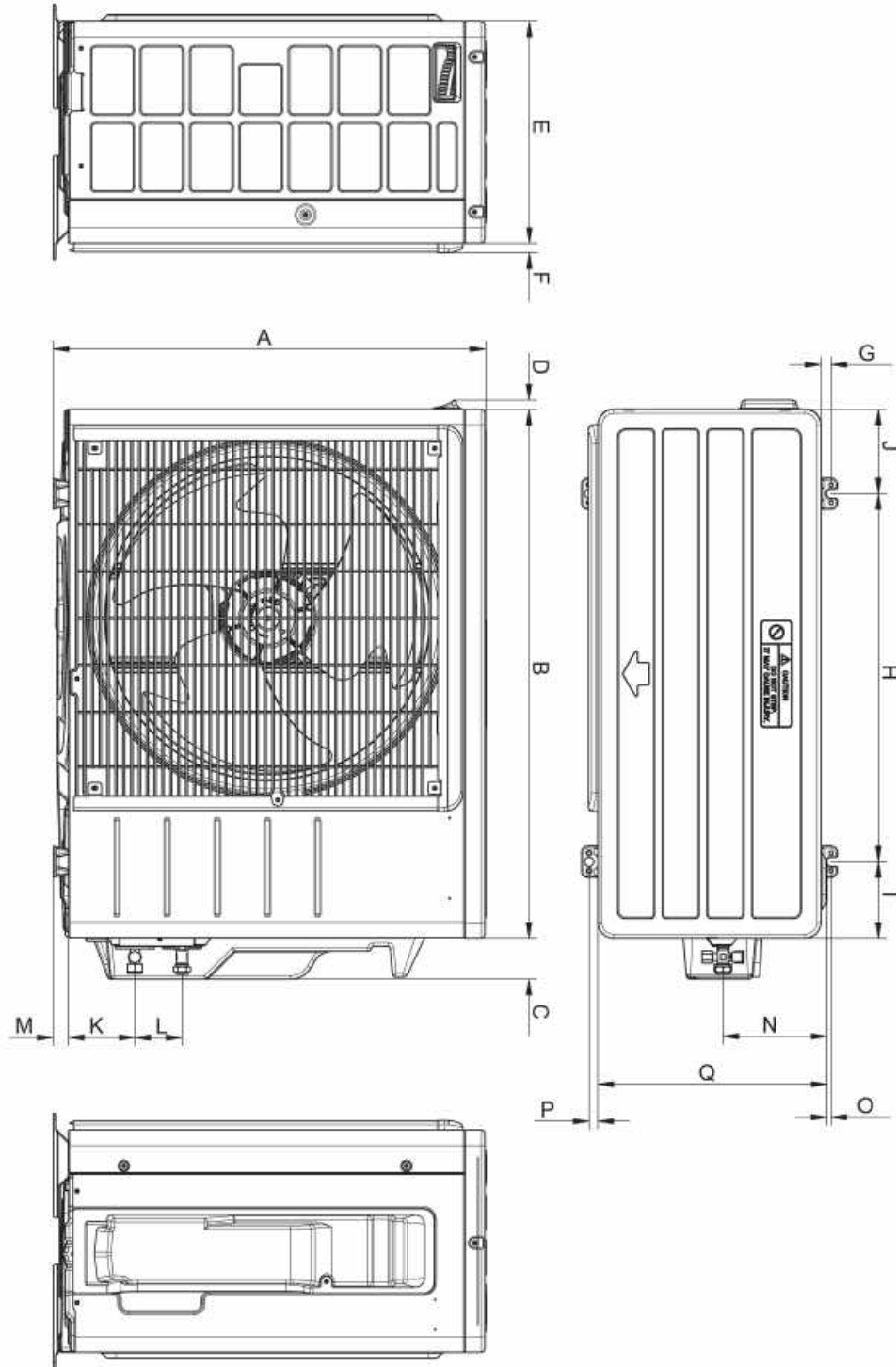


RK09AXVJU Dimensional Data



Model	Dimension																
09/12	A	B	C	D	E	F	G	H	I	J	K	L	M	N	O	P	Q
	21-11/16 (550)	26-1/2 (675)	2-1/16 (53)	15/32 (12)	11-3/16 (284)	15/32 (12)	1/2 (13)	18-1/2 (470)	3-13/16 (97)	4-1/4 (108)	3-3/8 (86)	2-3/8 (60)	25/32 (20)	5-1/4 (133)	3/16 (5)	7/16 (11)	11-1/2 (292)

All dimensions are in inch (mm)



Daikin North America LLC 5151 San Felipe, Suite 500 Houston, TX 77056

(Daikin's products are subject to continuous improvements. Daikin reserves the right to modify product design, specifications and information in this data sheet without notice and without incurring any obligations)



Indoor Unit		
Included	Part Number	Description
	BRP072A43	Wireless Interface Adapter (S21 Adapter Included)
	DACA-CP1-1	Inline Condensate Pump (Fits inside all Daikin wall & floor mount units)
	DACA-CP4-1	External Condensate Pump

Outdoor Unit		
Included	Part Number	Description
	DACA-WB-1	Powder-Coated Wall-Mounted Bracket
	KPW937F4	Air direction adjustment grille (09 & 12)
	KKG067A41	Back protection wire net (09 & 12)

Job Name:	
Tag#	



Submittal Data Sheet	FTK12NMVJU / RK12NMVJU
1-Ton Wall Mounted Cooling Only System	



Efficiency	
Cooling	
SEER	19
EER	12.5

Performance	
Cooling (Btu/hr)	
Rated (Min/Max)	10,900 (4,400 / 13,300)
Sensible @ AHRI	9,480
Moisture Removal gal/h	.45
Standard Operating Range	50°F – 115°F
Extended Operating Range*	-4°F – 115°F
Rated Cooling Conditions:	Indoor: 80°F DB/67°F WB Outdoor: 95°F DB/75°F WB
*With field settings and wind baffle	

Complete warranty details available from your local dealer or at www.daikincomfort.com. To receive the 12-Year Parts Limited Warranty, online registration must be completed within 60 days of installation. Online registration is not required in California or Quebec. If product is installed in a commercial application, limited warranty period is 5 years.

Indoor Specifications		
Airflow Rate (cfm)	Cooling	
	H	M
	434	311
	L	SL
247	145	
Sound (dBA) H / M / L / SL	45 / 37 / 30 / 19	
Dimensions (H x W x D) (in)	11-1/4 x 30-5/16 x 8-3/4	
Weight (Lbs)	18	

Electrical		
	208/60/1	230/60/1
System MCA	12.2	12.2
System MFA	15	15
Compressor RLA	7.5	7.5
Outdoor fan motor FLA	.15	.15
Outdoor fan motor W	18	18
Indoor fan motor FLA	.23	.23
Indoor fan motor W	28	28
MFA: Max. fuse amps MCA: Min. circuit amps (A) FLA: Full load amps (A) RLA: Rated load amps (A) W: Fan motor rated output (W)		

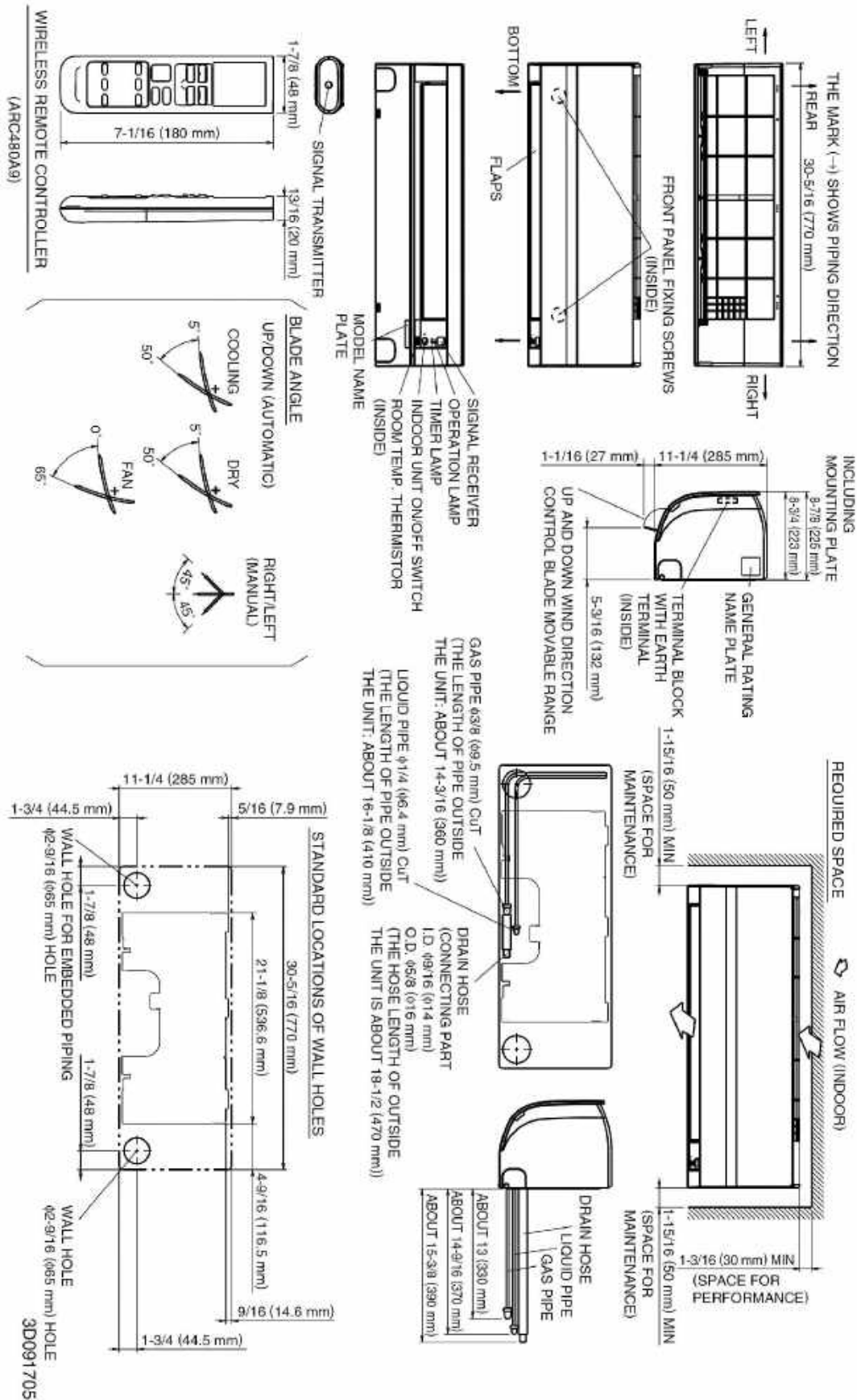
Outdoor Specifications		
Compressor	Hermetically Sealed Swing Type	
Refrigerant	R-410A	
Factory Charge (Lbs)	2.09	
Refrigerant Oil	PVE (FVC50K)	
Airflow Rate (cfm)	Cooling	
	H	1,105
	SL	865
Sound Pressure Level (dBA)	49	
Dimensions (H x W x D) (in)	21-5/8 x 26-9/16 x 11-3/16	
Weight (Lbs)	60	

Piping	
Liquid (in)	1/4
Gas (in)	3/8
Drain (in)	5/8
Max. Interunit Piping Length (ft)	65.625
Max. Interunit Height Difference (ft)	49.25
Chargeless (ft)	32.8
Additional Charge of Refrigerant (oz/ft)	.21

Daikin North America LLC 5151 San Felipe, Suite 500 Houston, TX 77056

(Daikin's products are subject to continuous improvements. Daikin reserves the right to modify product design, specifications and information in this data sheet without notice and without incurring any obligations)

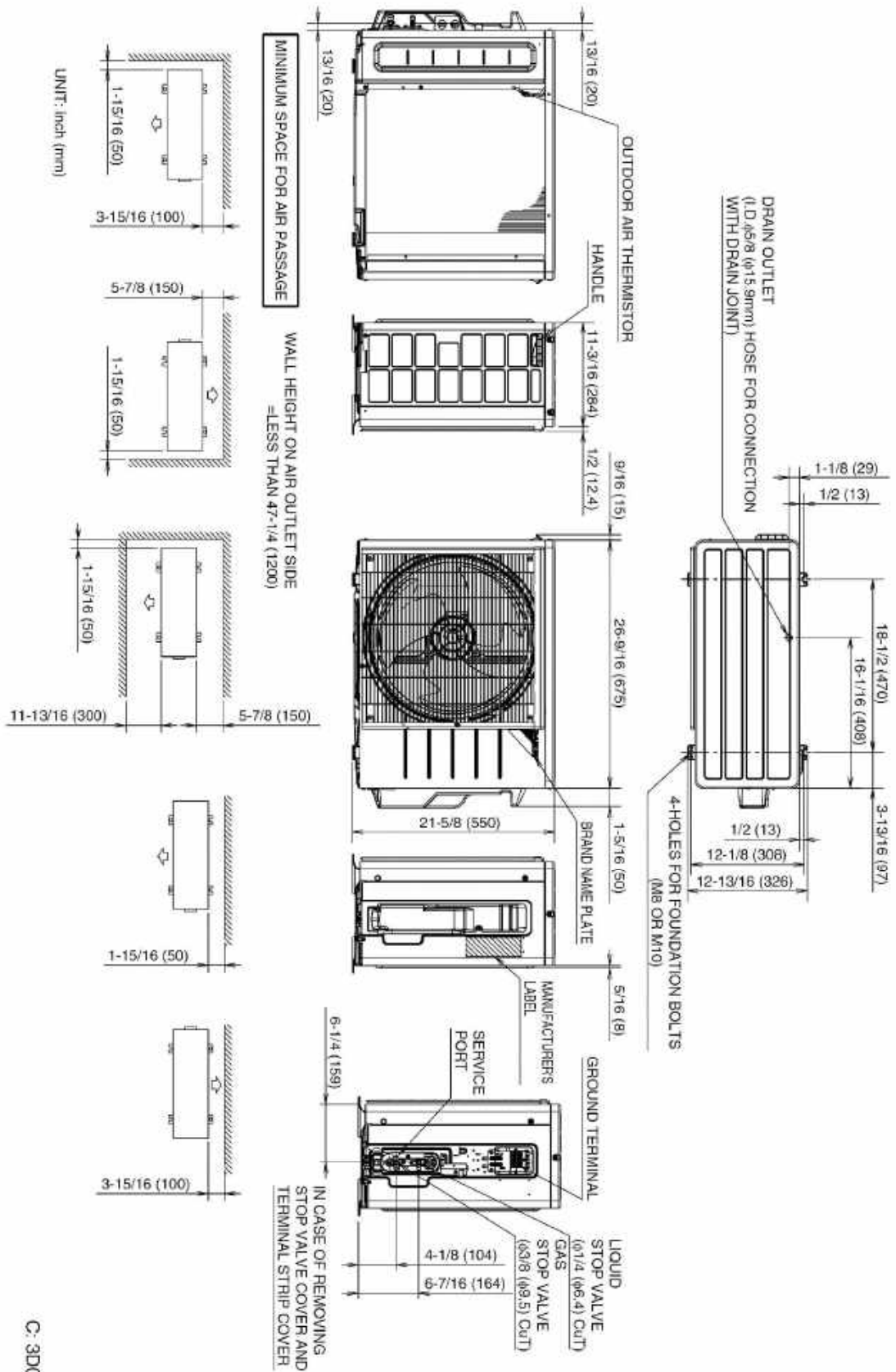
FTK12NMVJU Dimensional Data



Daikin North America LLC 5151 San Felipe, Suite 500 Houston, TX 77056

(Daikin's products are subject to continuous improvements. Daikin reserves the right to modify product design, specifications and information in this data sheet without notice and without incurring any obligations)

RK12NMVJU Dimensional Data



C: 3D092206

Daikin North America LLC 5151 San Felipe, Suite 500 Houston, TX 77056

(Daikin's products are subject to continuous improvements. Daikin reserves the right to modify product design, specifications and information in this data sheet without notice and without incurring any obligations)



Indoor Unit		
Included	Part Number	Description
	BRP072A43	Wireless Interface Adapter (S21 Adapter Included)
	BRC944B2-A08	Wired Remote Controller kit (Adaptor Required)
	BRCW901A08	Wired Remote Controller Cable – 25ft (Included in above kit)
	BRCW901A03	Wired Remote Controller Cable – 10ft
	KRP067A41	Adaptor for wired remote controller (09 & 12)
	KAF970A45	Titanium apatite photocatalytic air-purifying filter WITH frame
	KAF970A46	Titanium apatite photocatalytic air-purifying filter WITHOUT frame
	DACA-CP1-1	Inline Condensate Pump (Fits inside all Daikin wall & floor mount units)
	DACA-CP4-1	External Condensate Pump
	KRP928BB2S + KRP067A41	Interface adaptor for DIII-NET

Outdoor Unit		
Included	Part Number	Description
	DACA-WB-1	Powder-Coated Wall-Mounted Bracket
	KPW937E4	Air direction adjustment grille (09 & 12)
	KEH067A41E	Daikin BMS Drain Pan Heater Small RX09,12 & RXN09,12
	KKG067A41	Back protection wire net (09 & 12)
	KKP937A4	Drain Plug for OD Unit

Job Name:	
Tag#	



Submittal Data Sheet	FTK18AXVJU / RK18AXVJU
1.5-Ton Wall Mounted Cooling Only System	



Efficiency	
Cooling	
SEER	18.5
EER	12.5

Performance	
Cooling (Btu/hr)	
Rated (Min/Max)	18,000 (5,500 / 20,000)
Sensible @ AHRI	14,480
Moisture Removal gal/h	0.41
Standard Operating Range	50°F – 115°F
Extended Operating Range*	-4°F – 115°F
Rated Cooling Conditions: Indoor: 80°F DB/67°F WB Outdoor: 95°F DB/75°F WB	
*With field settings and wind baffle	

Complete warranty details available from your local dealer or at www.daikincomfort.com. To receive the 12-Year Parts Limited Warranty, online registration must be completed within 60 days of installation. Online registration is not required in California or Quebec. If product is installed in a commercial application, limited warranty period is 5 years.

Indoor Specifications		
Airflow Rate (cfm)	Cooling	
	H	M
	716	605
	L	SL
467	395	
Sound (dBA) H / M / L / SL	49 / 44 / 38 / 33	
Dimensions (H x W x D) (in)	11-11/16 x 39-1/2 x 11-1/3	
Weight (Lbs)	31	

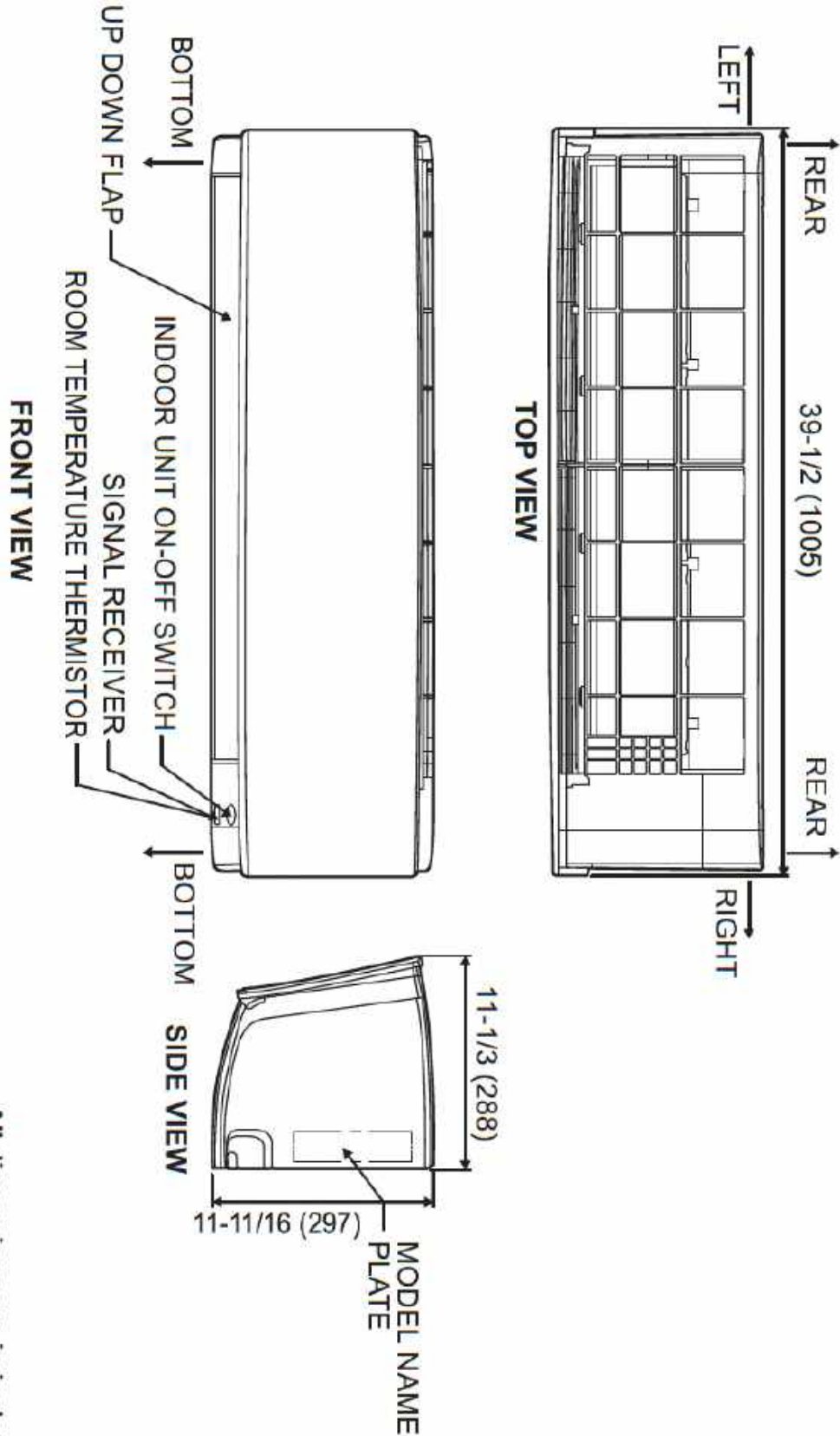
Electrical		
	208/60/1	230/60/1
System MCA	13.4	13.4
System MFA	20.0	20.0
Compressor RLA	13.0	13.0
Outdoor fan motor FLA	.99	.99
Outdoor fan motor W	128	128
Indoor fan motor FLA	.50	.50
Indoor fan motor W	35	35
MFA: Max. fuse amps MCA: Min. circuit amps (A) FLA: Full load amps (A) RLA: Rated load amps (A) W: Fan motor rated output (W)		

Outdoor Specifications		
Compressor	Hermetically Sealed Swing Type	
Refrigerant	R-410A	
Factory Charge (Lbs)	3.20	
Refrigerant Oil	PVE (FVC50K)	
Airflow Rate (cfm)	Cooling	
	H	2,005
Sound Pressure Level (dBA)	54	
Dimensions (H x W x D) (in)	27-13/32 x 36-5/8 x 13-13/16	
Weight (Lbs)	99	

Piping	
Liquid (in)	1/4
Gas (in)	1/2
Drain (in)	3/4
Max. Interunit Piping Length (ft)	98.4
Max. Interunit Height Difference (ft)	65.625
Chargeless (ft)	32.8
Additional Charge of Refrigerant (oz/ft)	.21

Daikin North America LLC 5151 San Felipe, Suite 500 Houston, TX 77056

(Daikin's products are subject to continuous improvements. Daikin reserves the right to modify product design, specifications and information in this data sheet without notice and without incurring any obligations)



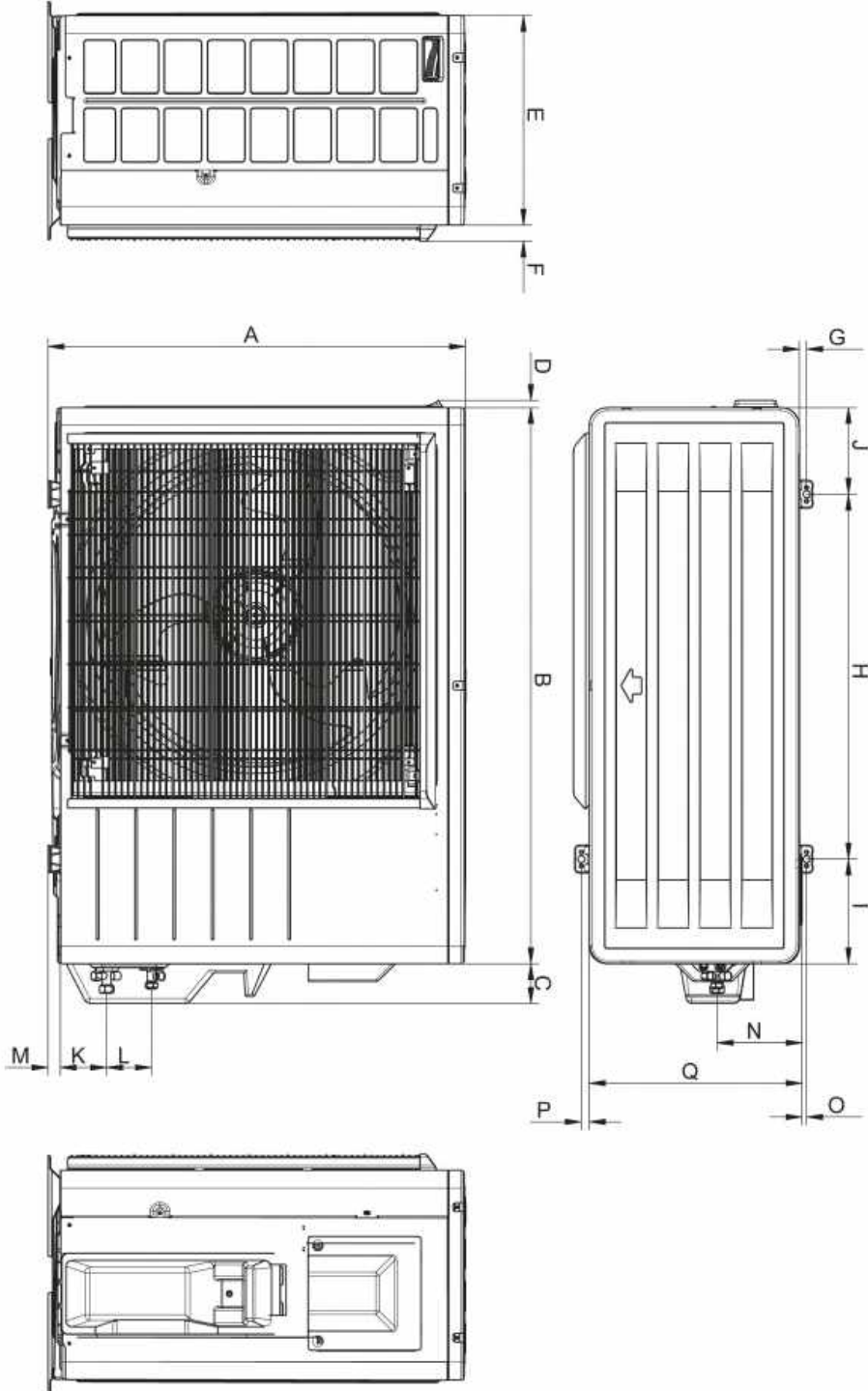
All dimensions are in inch (mm)

RK18AXVJU Dimensional Data



Model	Dimension																
18/24	A	B	C	D	E	F	G	H	I	J	K	L	M	N	O	P	Q
	27-13/32 (696)	36-5/8 (930)	2-19/32 (66)	15/32 (12)	13-13/16 (351)	1-1/16 (27)	15/32 (12)	24 (610)	6-7/8 (175)	5-23/32 (145)	3-1/32 (77)	2-31/32 (75)	13/16 (21)	5-19/32 (142)	5/16 (8)	17/32 (13)	13-31/32 (355)

All dimensions are in inch (mm)



Daikin North America LLC 5151 San Felipe, Suite 500 Houston, TX 77056

(Daikin's products are subject to continuous improvements. Daikin reserves the right to modify product design, specifications and information in this data sheet without notice and without incurring any obligations)



Indoor Unit		
Included	Part Number	Description
	BRP072A43	Wireless Interface Adaptor
	AZAI6WSCDKB	DKN Residential Cloud Wi-Fi Adaptor for Single- and Multi-Zone System (S21)
	BRC944B2-A08	Wired Remote Controller kit
	BRCW901A08	Wired Remote Controller Cable – 25ft (Included in above kit)
	BRCW901A03	Wired Remote Controller Cable – 10ft
	DACA-CP1-1	Inline Condensate Pump (Fits inside all Daikin wall & floor mount units)
	DACA-CP4-1	External Condensate Pump

Outdoor Unit		
Included	Part Number	Description
	DACA-WB-1	Powder-Coated Wall-Mounted Bracket
	KPW063B4E	Air Adjustment Grille

Job Name:	
Tag#	



Submittal Data Sheet	FTK24AXVJU / RK24AXVJU
2-Ton Wall Mounted Cooling Only System	



Efficiency	
Cooling	
SEER	19
EER	12.2

Performance	
Cooling (Btu/hr)	
Rated (Min/Max)	21,200 (5,500 / 24,000)
Sensible @ AHRI	15,670
Moisture Removal gal/h	0.67
Standard Operating Range	50°F – 115°F
Extended Operating Range*	-4°F – 115°F
Rated Cooling Conditions:	
	Indoor: 80°F DB/67°F WB
	Outdoor: 95°F DB/75°F WB
*With field settings and wind baffle	

Complete warranty details available from your local dealer or at www.daikincomfort.com. To receive the 12-Year Parts Limited Warranty, online registration must be completed within 60 days of installation. Online registration is not required in California or Quebec. If product is installed in a commercial application, limited warranty period is 5 years.

Indoor Specifications		
Airflow Rate (cfm)	Cooling	
	H	M
	716	605
	L	SL
	467	395
Sound (dBA) H / M / L / SL	53 / 45 / 39 / 34	
Dimensions (H × W × D) (in)	11-11/16 × 39-1/2 × 11-1/3	
Weight (Lbs)	31	

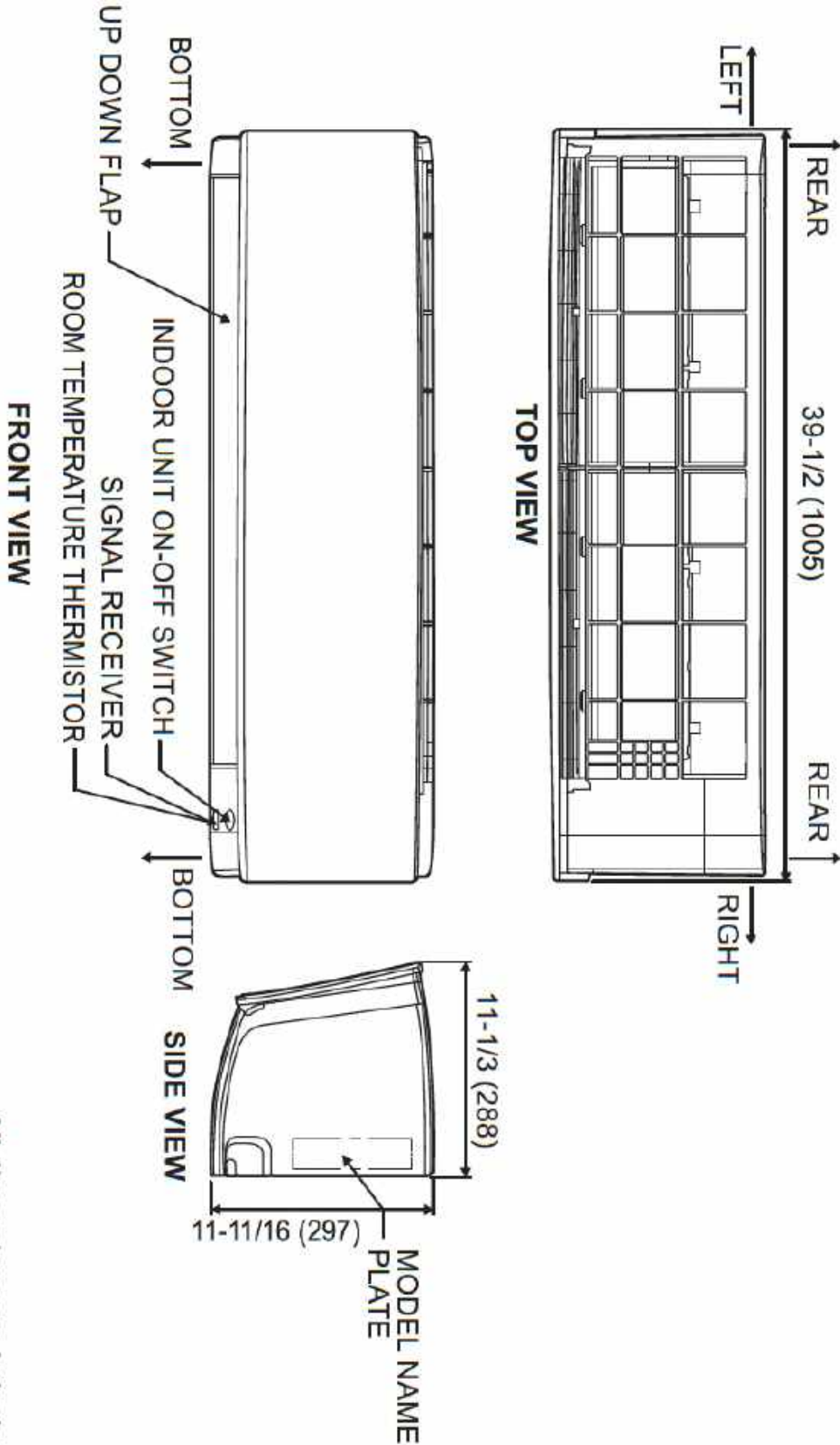
Electrical		
	208/60/1	230/60/1
System MCA	13.4	13.4
System MFA	20.0	20.0
Compressor RLA	13.0	13.0
Outdoor fan motor FLA	1.0	1.0
Outdoor fan motor W	128	128
Indoor fan motor FLA	.50	.50
Indoor fan motor W	35	35
MFA: Max. fuse amps MCA: Min. circuit amps (A) FLA: Full load amps (A)		
RLA: Rated load amps (A) W: Fan motor rated output (W)		

Outdoor Specifications		
Compressor	Hermetically Sealed Swing Type	
Refrigerant	R-410A	
Factory Charge (Lbs)	3.86	
Refrigerant Oil	PVE (FVC50K)	
Airflow Rate (cfm)	Cooling	
	H	1,908
Sound Pressure Level (dBA)	55	
Dimensions (H × W × D) (in)	27-13/32 × 36-5/8 × 13-13/16	
Weight (Lbs)	106	

Piping	
Liquid (in)	1/4
Gas (in)	5/8
Drain (in)	3/4
Max. Interunit Piping Length (ft)	98.4
Max. Interunit Height Difference (ft)	65.625
Chargeless (ft)	32.8
Additional Charge of Refrigerant (oz/ft)	.21

Daikin North America LLC 5151 San Felipe, Suite 500 Houston, TX 77056

(Daikin's products are subject to continuous improvements. Daikin reserves the right to modify product design, specifications and information in this data sheet without notice and without incurring any obligations)



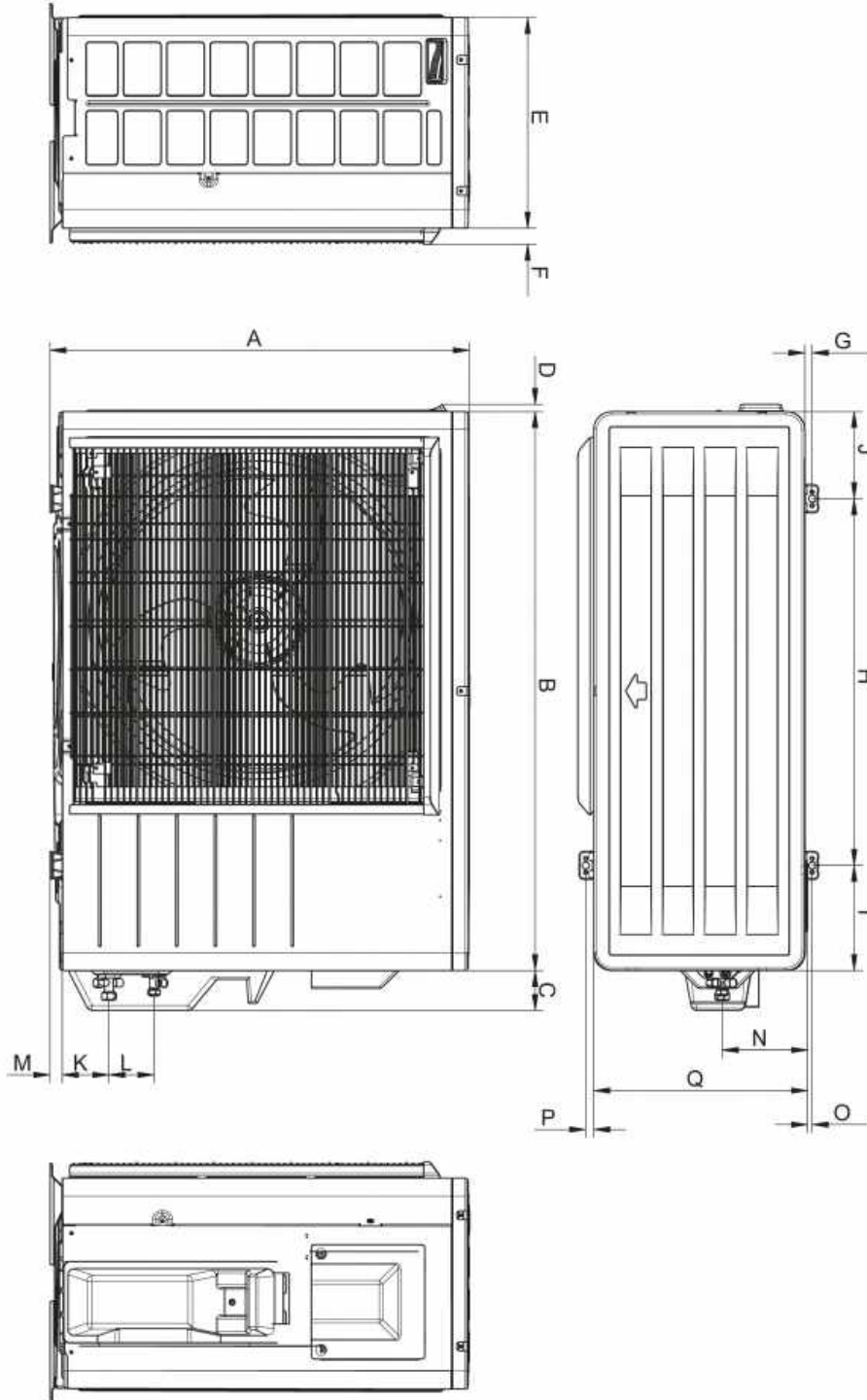
All dimensions are in inch (mm)

RK24AXVJU Dimensional Data



Model	Dimension																
18/24	A	B	C	D	E	F	G	H	I	J	K	L	M	N	O	P	Q
	27-13/32 (696)	36-5/8 (930)	2-19/32 (66)	15/32 (12)	13-13/16 (351)	1-1/16 (27)	15/32 (12)	24 (610)	6-7/8 (175)	5-23/32 (145)	3-1/32 (77)	2-31/32 (75)	13/16 (21)	5-19/32 (142)	5/16 (8)	17/32 (13)	13-31/32 (355)

All dimensions are in inch (mm)



Daikin North America LLC 5151 San Felipe, Suite 500 Houston, TX 77056

(Daikin's products are subject to continuous improvements. Daikin reserves the right to modify product design, specifications and information in this data sheet without notice and without incurring any obligations)



Indoor Unit		
Included	Part Number	Description
	BRP072A43	Wireless Interface Adaptor
	AZAI6WSCDKB	DKN Residential Cloud Wi-Fi Adaptor for Single- and Multi-Zone System (S21)
	BRC944B2-A08	Wired Remote Controller kit
	BRCW901A08	Wired Remote Controller Cable – 25ft (Included in above kit)
	BRCW901A03	Wired Remote Controller Cable – 10ft
	DACA-CP1-1	Inline Condensate Pump (Fits inside all Daikin wall & floor mount units)
	DACA-CP4-1	External Condensate Pump

Outdoor Unit		
Included	Part Number	Description
	DACA-WB-1	Powder-Coated Wall-Mounted Bracket
	KPW063B4E	Air Adjustment Grille

Job Name:	
Tag#	



Submittal Data Sheet	FTX09AXVJU / RX09AXVJU
0.75-Ton Wall Mounted Heat Pump System	



Complete warranty details available from your local dealer or at www.daikincomfort.com. To receive the 12-Year Parts Limited Warranty, online registration must be completed within 60 days of installation. Online registration is not required in California or Quebec. *If product is installed in a commercial application, limited warranty period is 5 years.*

Indoor Specifications					
Airflow Rate (cfm)	Cooling		Heating		
	H	M	H	M	
	431	322	402	322	
Sound (dBA) H / M / L / SL	L	SL	L	SL	
	249	219	249	219	
Sound (dBA) H / M / L / SL		43 / 36 / 30 / 25		43 / 36 / 29 / 25	
Dimensions (H x W x D) (in)		11-1/3 x 30-29/32 x 9-27/32			
Weight (Lbs)		20			

Outdoor Specifications				
Compressor	Hermetically Sealed Swing Type			
Refrigerant	R-410A			
Factory Charge (Lbs)	1.54			
Refrigerant Oil	PVE (FVC50K)			
Airflow Rate (cfm)	Cooling		Heating	
	H	1,083	H	1,103
Sound Pressure Level (dBA)	46		48	
Dimensions (H x W x D) (in)	21-11/16 x 26-1/2 x 11-3/16			
Weight (Lbs)	57			

Efficiency			
Cooling		Heating	
SEER	19	HSPF	10.0
EER	12.5	COP	4.06

Performance	
Cooling (Btu/hr)	
Rated (Min/Max)	8,900 (4,400 / 10,200)
Sensible @ AHRI	8,040
Moisture Removal gal/h	.08
Standard Operating Range	50°F – 115°F
Extended Operating Range*	-4°F - 115°F

Rated Cooling Conditions: Indoor: 80°F DB/67°F WB
Outdoor: 95°F DB/75°F WB

*With field settings and wind baffle

Heating (Btu/hr)	
1: @ 47° Rated (Min/Max)	10,000 (4,400 / 13,000)
2: @ 17° Rated	5,700
Operating Range	5°F – 65°F

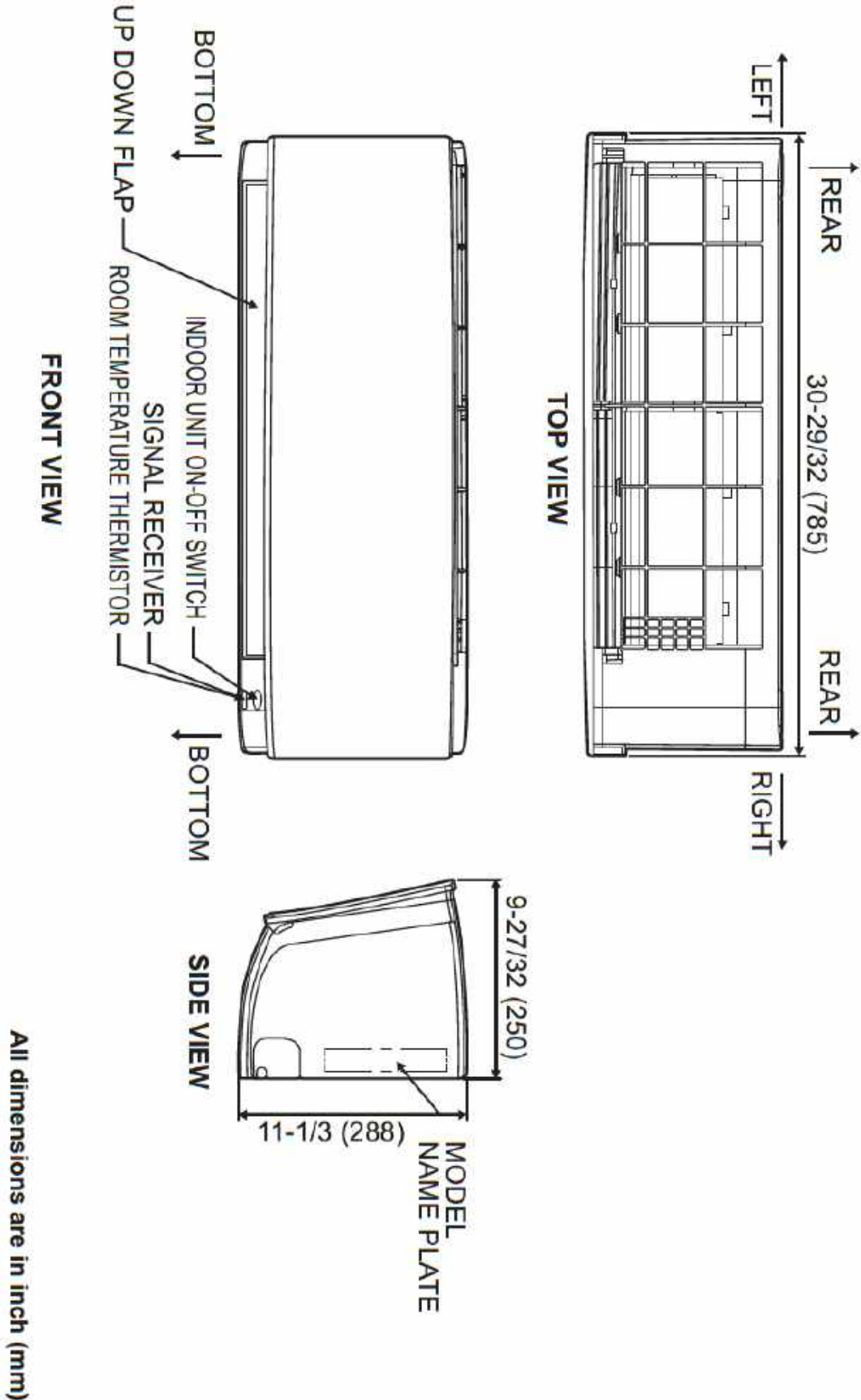
1: Rated Heating Conditions: Indoor: 70°F DB/60°F WB
Outdoor: 47°F DB/43°F WB

2: Rated Heating Conditions: Indoor: 70°F DB/60°F WB
Outdoor: 17°F DB/15°F WB

Electrical		
	208/60/1	230/60/1
System MCA	8.7	8.7
System MFA	15.0	15.0
Compressor RLA	8.5	8.5
Outdoor fan motor FLA	0.36	0.36
Outdoor fan motor W	41	41
Indoor fan motor FLA	0.30	0.30
Indoor fan motor W	38	38

MFA: Max. fuse amps MCA: Min. circuit amps (A) FLA: Full load amps (A)
RLA: Rated load amps (A) W: Fan motor rated output (W)

Piping	
Liquid (in)	1/4
Gas (in)	3/8
Drain (in)	3/4
Max. Interunit Piping Length (ft)	65.625
Max. Interunit Height Difference (ft)	49.25
Chargeless (ft)	32.8
Additional Charge of Refrigerant (oz/ft)	.21



Daikin North America LLC 5151 San Felipe, Suite 500 Houston, TX 77056

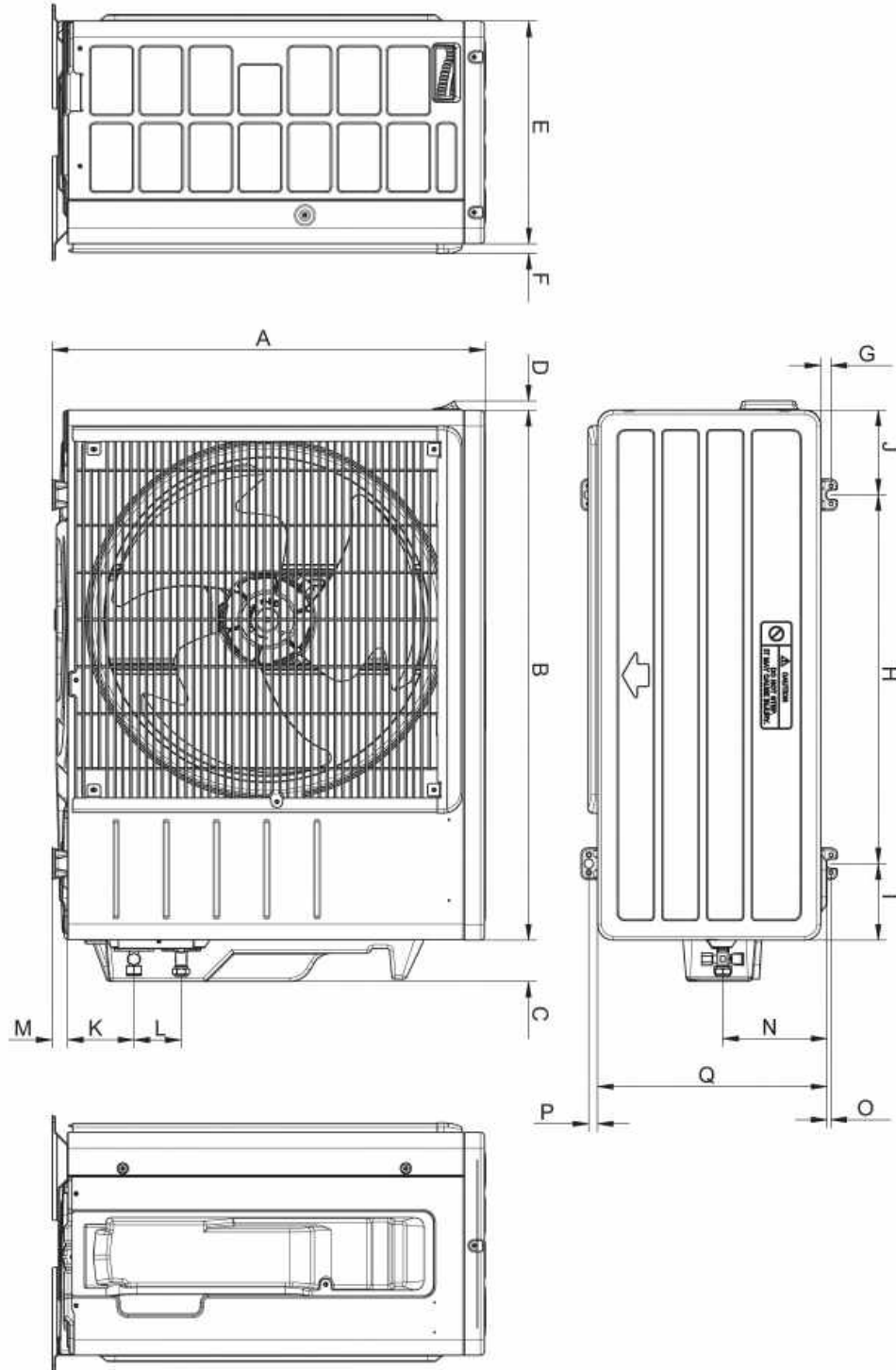
(Daikin's products are subject to continuous improvements. Daikin reserves the right to modify product design, specifications and information in this data sheet without notice and without incurring any obligations)

RX09AXVJU Dimensional Data



Model	Dimension										
09/12	A	B	C	D	E	F	G	H	I	J	K
	21-11/16 (550)	26-1/2 (675)	2-1/16 (53)	15/32 (12)	11-3/16 (284)	15/32 (12)	1/2 (13)	18-1/2 (470)	3-13/16 (97)	4-1/4 (108)	3-3/8 (86)
	L	M	N	O	P	Q					
	2-3/8 (60)	25/32 (20)	5-1/4 (133)	3/16 (5)	7/16 (11)	11-1/2 (292)					

All dimensions are in inch (mm)



Daikin North America LLC 5151 San Felipe, Suite 500 Houston, TX 77056

(Daikin's products are subject to continuous improvements. Daikin reserves the right to modify product design, specifications and information in this data sheet without notice and without incurring any obligations)



Indoor Unit		
Included	Part Number	Description
	BRP072A43	Wireless Interface Adaptor
	AZAI6WSCDKB	DKN Residential Cloud Wi-Fi Adaptor for Single- and Multi-Zone System (S21)
	BRC944B2-A08	Wired Remote Controller kit
	BRCW901A08	Wired Remote Controller Cable – 25ft (Included in above kit)
	BRCW901A03	Wired Remote Controller Cable – 10ft
	DACA-CP1-1	Inline Condensate Pump (Fits inside all Daikin wall & floor mount units)
	DACA-CP4-1	External Condensate Pump

Outdoor Unit		
Included	Part Number	Description
	DACA-WB-1	Powder-Coated Wall-Mounted Bracket
	KPW937F4	Air direction adjustment grille (09 & 12)
	KEH067A41E	Daikin BMS Drain Pan Heater Small RX09,12 & RXN09,12
	KKG067A41	Back protection wire net (09 & 12)

Job Name:	
Tag#	



Submittal Data Sheet

FTX12AXVJU / RX12AXVJU

1-Ton Wall Mounted Heat Pump System



Complete warranty details available from your local dealer or at www.daikincomfort.com. To receive the 12-Year Parts Limited Warranty, online registration must be completed within 60 days of installation. Online registration is not required in California or Quebec. *If product is installed in a commercial application, limited warranty period is 5 years.*

Indoor Specifications

Airflow Rate (cfm)	Cooling		Heating	
	H	M	H	M
	L	SL	L	SL
	436	316	412	316
	247	210	247	210
Sound (dBA) H / M / L / SL	45 / 37 / 31 / 26		45 / 37 / 30 / 26	
Dimensions (H x W x D) (in)	11-1/3 x 30-29/32 x 9-27/32			
Weight (Lbs)	22			

Outdoor Specifications

Compressor	Hermetically Sealed Swing Type			
Refrigerant	R-410A			
Factory Charge (Lbs)	2.09			
Refrigerant Oil	PVE (FVC50K)			
Airflow Rate (cfm)	Cooling		Heating	
	H	1,051	H	966
Sound Pressure Level (dBA)	49			
Dimensions (H x W x D) (in)	21-11/16 x 26-1/2 x 11-3/16			
Weight (Lbs)	64			

Efficiency

Cooling		Heating	
SEER	19	HSPF	10.0
EER	12.5	COP	3.80

Performance

Cooling (Btu/hr)	
Rated (Min/Max)	10,900 (4,400 / 13,300)
Sensible @ AHRI	9,090
Moisture Removal gal/h	.19
Standard Operating Range	50°F – 115°F
Extended Operating Range*	-4°F – 115°F

Rated Cooling Conditions: Indoor: 80°F DB/67°F WB
Outdoor: 95°F DB/75°F WB

*With field settings and wind baffle

Heating (Btu/hr)	
1: @ 47° Rated (Min/Max)	13,500 (4,400 / 16,400)
2: @ 17° Rated	8,600
Operating Range	5°F – 65°F

1: Rated Heating Conditions: Indoor: 70°F DB/60°F WB
Outdoor: 47°F DB/43°F WB

2: Rated Heating Conditions: Indoor: 70°F DB/60°F WB
Outdoor: 17°F DB/15°F WB

Electrical

	208/60/1	230/60/1
System MCA	8.7	8.7
System MFA	15.0	15.0
Compressor RLA	8.5	8.5
Outdoor fan motor FLA	.47	.47
Outdoor fan motor W	41	41
Indoor fan motor FLA	.36	.36
Indoor fan motor W	38	38

MFA: Max. fuse amps MCA: Min. circuit amps (A) FLA: Full load amps (A)

RLA: Rated load amps (A) W: Fan motor rated output (W)

Piping

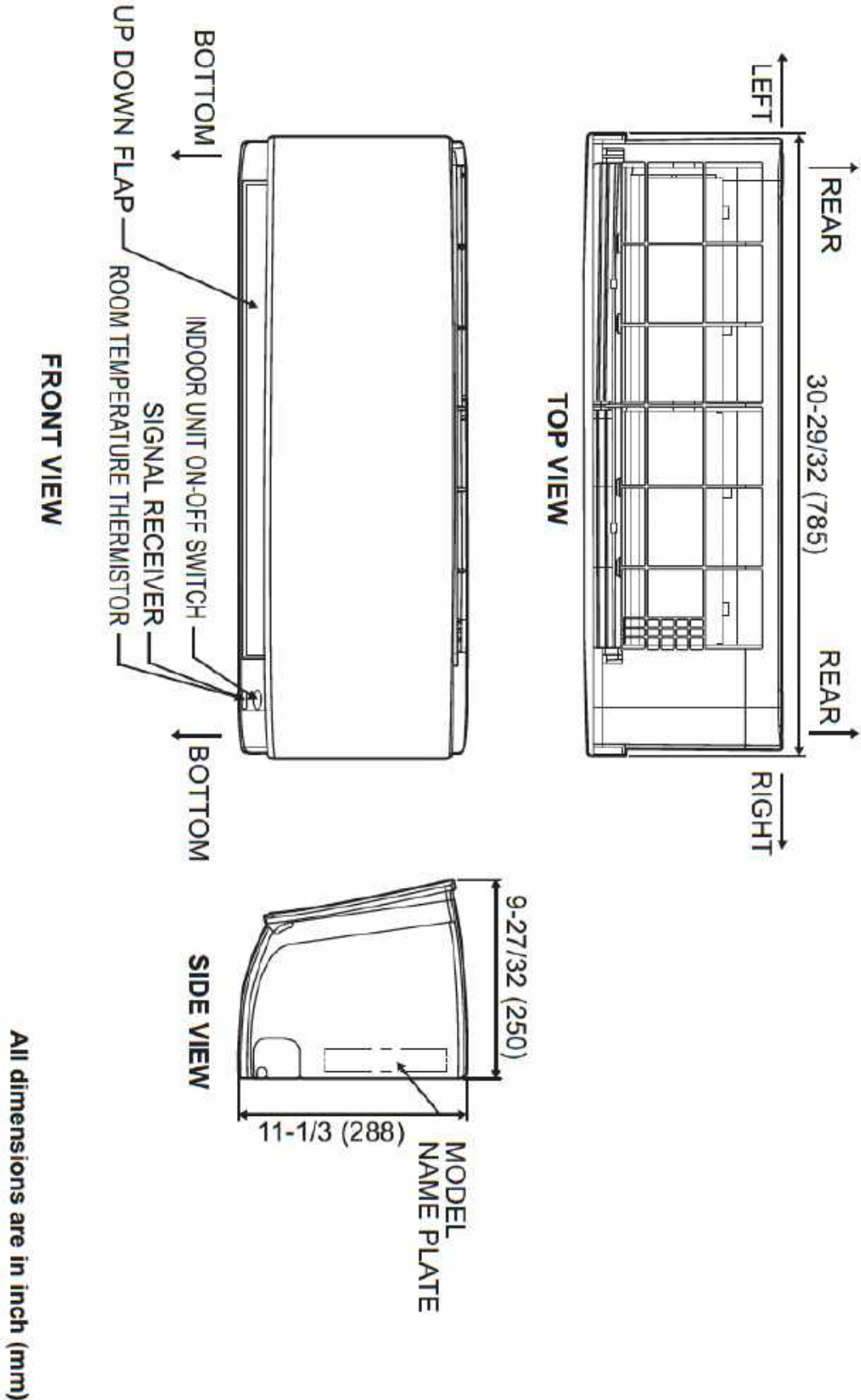
Liquid (in)	1/4
Gas (in)	3/8
Drain (in)	3/4
Max. Interunit Piping Length (ft)	65.625
Max. Interunit Height Difference (ft)	49.25
Chargeless (ft)	32.8
Additional Charge of Refrigerant (oz/ft)	.21

Daikin North America LLC 5151 San Felipe, Suite 500 Houston, TX 77056

(Daikin's products are subject to continuous improvements. Daikin reserves the right to modify product design, specifications and information in this data sheet without notice and without incurring any obligations)

Submittal Revision Date: August 2020

Page 1 of 4



Daikin North America LLC 5151 San Felipe, Suite 500 Houston, TX 77056

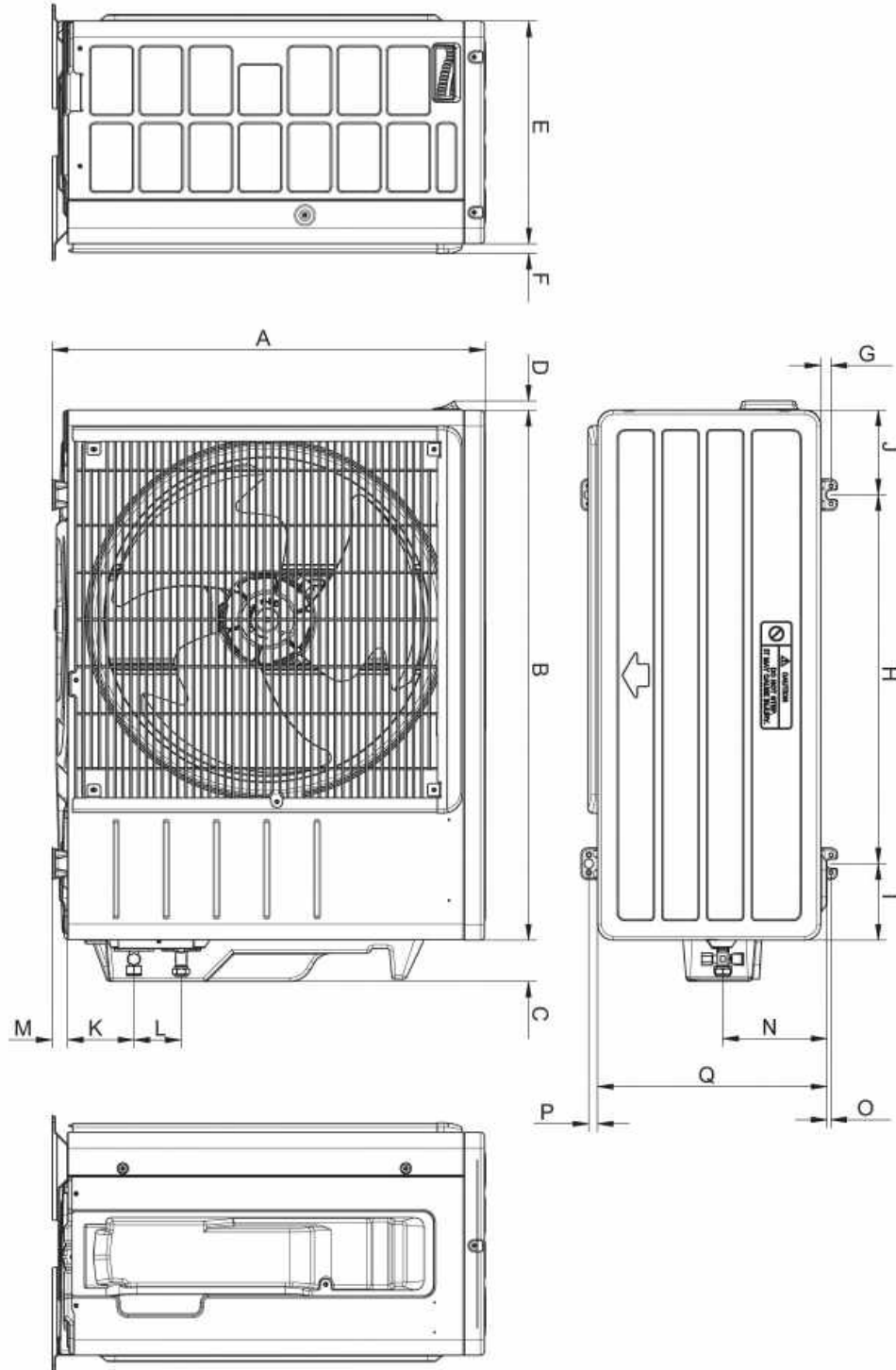
(Daikin's products are subject to continuous improvements. Daikin reserves the right to modify product design, specifications and information in this data sheet without notice and without incurring any obligations)

RX12AXVJU Dimensional Data



Model	Dimension										
09/12	A	B	C	D	E	F	G	H	I	J	K
	21-11/16 (550)	26-1/2 (675)	2-1/16 (53)	15/32 (12)	11-3/16 (284)	15/32 (12)	1/2 (13)	18-1/2 (470)	3-13/16 (97)	4-1/4 (108)	3-3/8 (86)
	L	M	N	O	P	Q					
	2-3/8 (60)	25/32 (20)	5-1/4 (133)	3/16 (5)	7/16 (11)	11-1/2 (292)					

All dimensions are in inch (mm)



Daikin North America LLC 5151 San Felipe, Suite 500 Houston, TX 77056

(Daikin's products are subject to continuous improvements. Daikin reserves the right to modify product design, specifications and information in this data sheet without notice and without incurring any obligations)



Indoor Unit		
Included	Part Number	Description
	BRP072A43	Wireless Interface Adaptor
	AZAI6WSCDKB	DKN Residential Cloud Wi-Fi Adaptor for Single- and Multi-Zone System (S21)
	BRC944B2-A08	Wired Remote Controller kit
	BRCW901A08	Wired Remote Controller Cable – 25ft (Included in above kit)
	BRCW901A03	Wired Remote Controller Cable – 10ft
	DACA-CP1-1	Inline Condensate Pump (Fits inside all Daikin wall & floor mount units)
	DACA-CP4-1	External Condensate Pump

Outdoor Unit		
Included	Part Number	Description
	DACA-WB-1	Powder-Coated Wall-Mounted Bracket
	KPW937F4	Air direction adjustment grille (09 & 12)
	KEH067A41E	Daikin BMS Drain Pan Heater Small RX09,12 & RXN09,12
	KKG067A41	Back protection wire net (09 & 12)

Job Name:	
Tag#	



Submittal Data Sheet

FTX18AXVJU / RX18AXVJU

1.5-Ton Wall Mounted Heat Pump System



Complete warranty details available from your local dealer or at www.daikincomfort.com. To receive the 12-Year Parts Limited Warranty, online registration must be completed within 60 days of installation. Online registration is not required in California or Quebec. *If product is installed in a commercial application, limited warranty period is 5 years.*

Indoor Specifications

	Cooling		Heating	
	H	M	H	M
Airflow Rate (cfm)	716	605	716	605
	L	SL	L	SL
	467	395	467	395
Sound (dBA) H / M / L / SL	49 / 44 / 38 / 33		49 / 42 / 37 / 33	
Dimensions (H x W x D) (in)	11-11/16 x 39-1/2 x 11-1/3			
Weight (Lbs)	31			

Outdoor Specifications

Compressor	Hermetically Sealed Swing Type			
Refrigerant	R-410A			
Factory Charge (Lbs)	3.20			
Refrigerant Oil	PVE (FVC50K)			
Airflow Rate (cfm)	Cooling		Heating	
	H	2,005	H	1,905
Sound Pressure Level (dBA)	54			
Dimensions (H x W x D) (in)	27-13/32 x 36-5/8 x 13-13/16			
Weight (Lbs)	101			

Efficiency

Cooling		Heating	
SEER	18.5	HSPF	9.0
EER	12.5	COP	3.60

Performance

Cooling (Btu/hr)	
Rated (Min/Max)	18,000 (5,500 / 20,000)
Sensible @ AHRI	14,480
Moisture Removal gal/h	0.41
Standard Operating Range	50°F – 115°F
Extended Operating Range*	-4°F – 115°F

Rated Cooling Conditions: Indoor: 80°F DB/67°F WB
Outdoor: 95°F DB/75°F WB

*With field settings and wind baffle

Heating (Btu/hr)	
1: @ 47° Rated (Min/Max)	21,600 (5,500 / 24,000)
2: @ 17° Rated	12,700
Operating Range	5°F – 65°F

1: Rated Heating Conditions: Indoor: 70°F DB/60°F WB
Outdoor: 47°F DB/43°F WB
2: Rated Heating Conditions: Indoor: 70°F DB/60°F WB
Outdoor: 17°F DB/15°F WB

Electrical

	208/60/1	230/60/1
System MCA	16.4	16.4
System MFA	20.0	20.0
Compressor RLA	16.0	16.0
Outdoor fan motor FLA	.99	.99
Outdoor fan motor W	128	128
Indoor fan motor FLA	.50	.50
Indoor fan motor W	35	35

MFA: Max. fuse amps MCA: Min. circuit amps (A) FLA: Full load amps (A)
RLA: Rated load amps (A) W: Fan motor rated output (W)

Piping

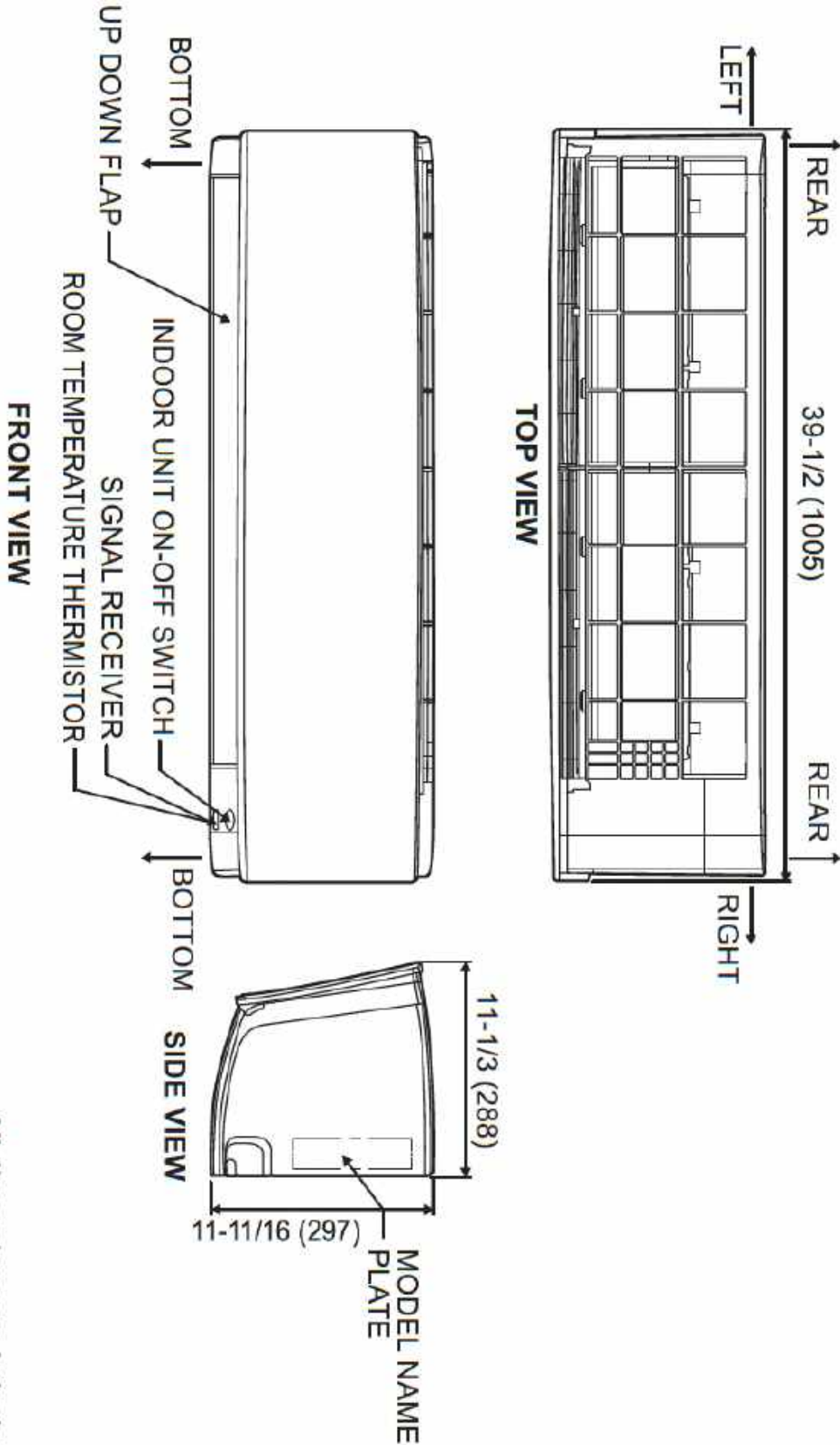
Liquid (in)	1/4
Gas (in)	1/2
Drain (in)	3/4
Max. Interunit Piping Length (ft)	98.4
Max. Interunit Height Difference (ft)	65.625
Chargeless (ft)	32.8
Additional Charge of Refrigerant (oz/ft)	.21

Daikin North America LLC 5151 San Felipe, Suite 500 Houston, TX 77056

(Daikin's products are subject to continuous improvements. Daikin reserves the right to modify product design, specifications and information in this data sheet without notice and without incurring any obligations)

Submittal Revision Date: September 2020

Page 1 of 4



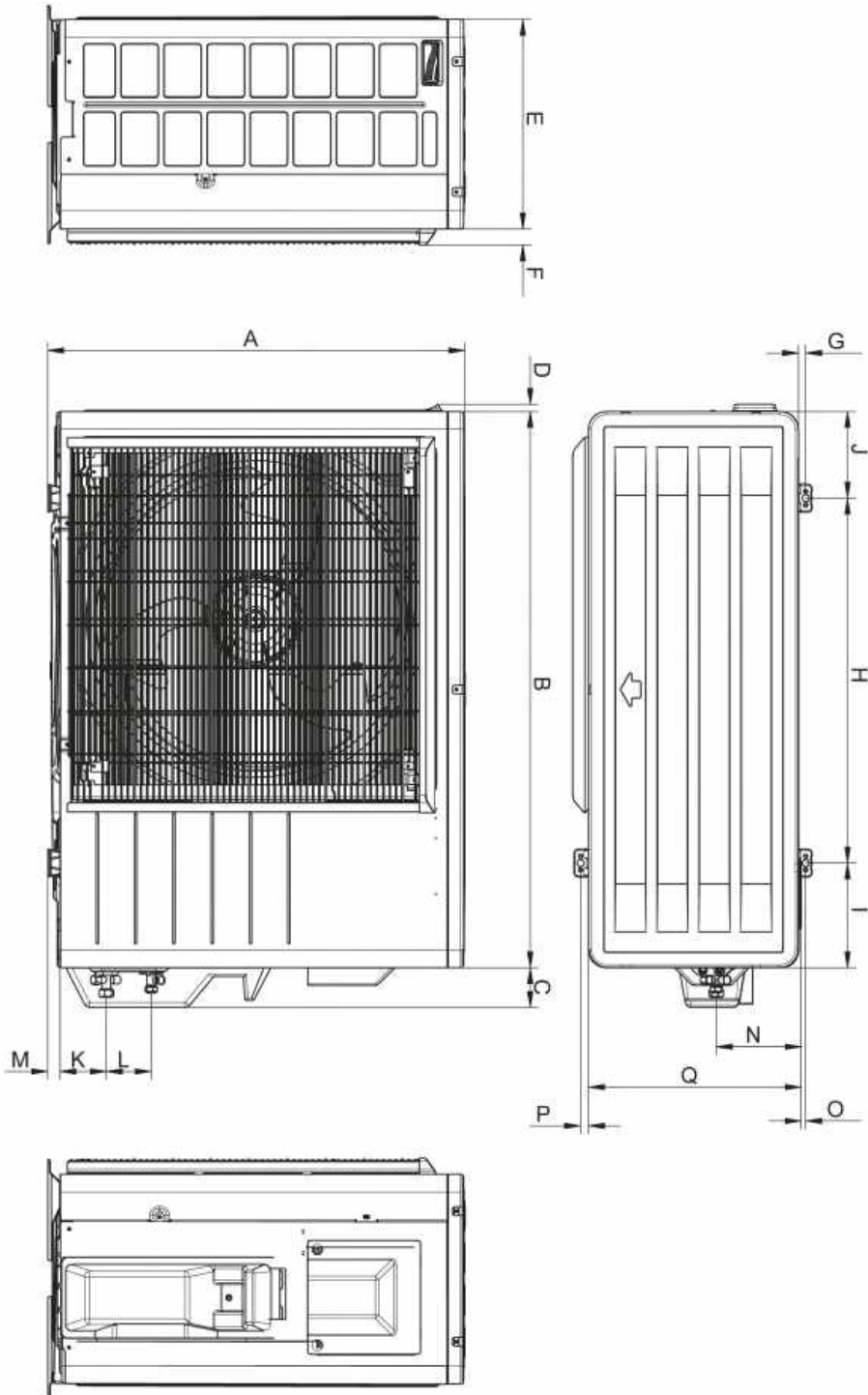
All dimensions are in inch (mm)

RX18AXVJU Dimensional Data



Model	Dimension																
18/24	A	B	C	D	E	F	G	H	I	J	K	L	M	N	O	P	Q
	27-13/32 (696)	36-5/8 (930)	2-19/32 (66)	15/32 (12)	13-13/16 (351)	1-1/16 (27)	15/32 (12)	24 (610)	6-7/8 (175)	5-23/32 (145)	3-1/32 (77)	2-31/32 (75)	13/16 (21)	5-19/32 (142)	5/16 (8)	17/32 (13)	13-31/32 (355)

All dimensions are in inch (mm)



Daikin North America LLC 5151 San Felipe, Suite 500 Houston, TX 77056

(Daikin's products are subject to continuous improvements. Daikin reserves the right to modify product design, specifications and information in this data sheet without notice and without incurring any obligations)



Indoor Unit		
Included	Part Number	Description
	BRP072A43	Wireless Interface Adaptor
	AZAI6WSCDKB	DKN Residential Cloud Wi-Fi Adaptor for Single- and Multi-Zone System (S21)
	BRC944B2-A08	Wired Remote Controller kit
	BRCW901A08	Wired Remote Controller Cable – 25ft (Included in above kit)
	BRCW901A03	Wired Remote Controller Cable – 10ft
	DACA-CP1-1	Inline Condensate Pump (Fits inside all Daikin wall & floor mount units)
	DACA-CP4-1	External Condensate Pump

Outdoor Unit		
Included	Part Number	Description
	DACA-WB-1	Powder-Coated Wall-Mounted Bracket
	KPW063B4E	Air Adjustment Grille

Job Name:	
Tag#	



Submittal Data Sheet	FTX24AXVJU / RX24AXVJU
2-Ton Wall Mounted Heat Pump System	



Complete warranty details available from your local dealer or at www.daikincomfort.com. To receive the 12-Year Parts Limited Warranty, online registration must be completed within 60 days of installation. Online registration is not required in California or Quebec. *If product is installed in a commercial application, limited warranty period is 5 years.*

Indoor Specifications					
Airflow Rate (cfm)	Cooling		Heating		
	H	M	H	M	
	716	605	716	605	
Sound (dBA) H / M / L / SL	L	SL	L	SL	
	467	395	467	395	
Sound (dBA) H / M / L / SL		53 / 45 / 39 / 34		53 / 43 / 37 / 34	
Dimensions (H x W x D) (in)		11-11/16 x 39-1/2 x 11-1/3			
Weight (Lbs)		31			

Outdoor Specifications				
Compressor	Hermetically Sealed Swing Type			
Refrigerant	R-410A			
Factory Charge (Lbs)	3.86			
Refrigerant Oil	PVE (FVC50K)			
Airflow Rate (cfm)	Cooling		Heating	
	H	1,908	H	1,908
Sound Pressure Level (dBA)	55			
Dimensions (H x W x D) (in)	27-13/32 x 36-5/8 x 13-13/16			
Weight (Lbs)	106			

Efficiency			
Cooling		Heating	
SEER	19	HSPF	9.0
EER	12.2	COP	3.45

Performance	
Cooling (Btu/hr)	
Rated (Min/Max)	21,200 (5,500 / 24,000)
Sensible @ AHRI	15,670
Moisture Removal gal/h	0.67
Standard Operating Range	50°F – 115°F
Extended Operating Range*	-4°F – 115°F

Rated Cooling Conditions: Indoor: 80°F DB/67°F WB
Outdoor: 95°F DB/75°F WB

*With field settings and wind baffle

Heating (Btu/hr)	
1: @ 47° Rated (Min/Max)	23,600 (5,800 / 27,600)
2: @ 17° Rated	15,300
Operating Range	5°F – 65°F

1: Rated Heating Conditions: Indoor: 70°F DB/60°F WB
Outdoor: 47°F DB/43°F WB

2: Rated Heating Conditions: Indoor: 70°F DB/60°F WB
Outdoor: 17°F DB/15°F WB

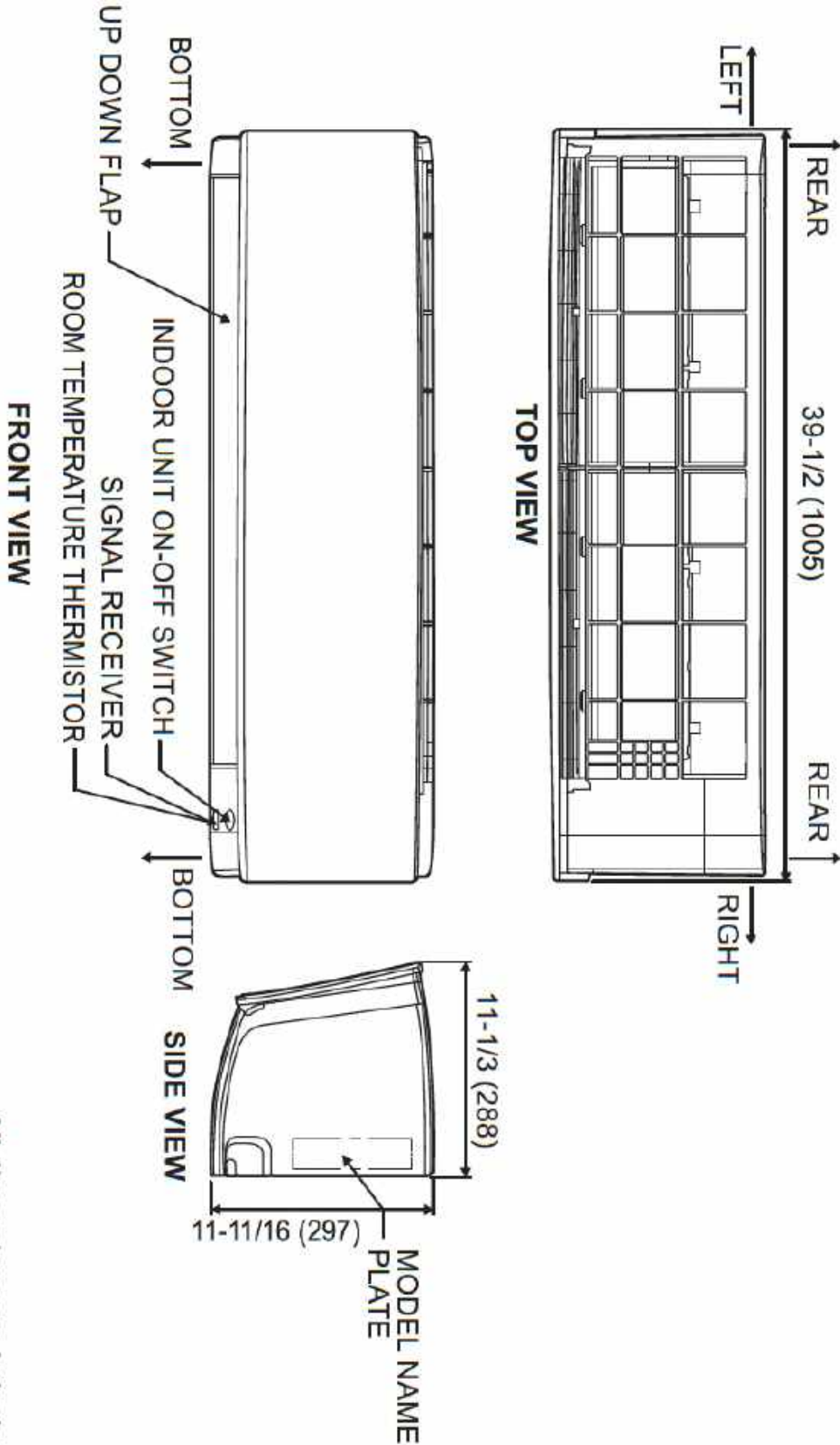
Electrical		
	208/60/1	230/60/1
System MCA	16.4	16.4
System MFA	20.0	20.0
Compressor RLA	16.0	16.0
Outdoor fan motor FLA	1.0	1.0
Outdoor fan motor W	128	128
Indoor fan motor FLA	.50	.50
Indoor fan motor W	35	35

MFA: Max. fuse amps MCA: Min. circuit amps (A) FLA: Full load amps (A)
RLA: Rated load amps (A) W: Fan motor rated output (W)

Piping	
Liquid (in)	1/4
Gas (in)	5/8
Drain (in)	3/4
Max. Interunit Piping Length (ft)	98.4
Max. Interunit Height Difference (ft)	65.625
Chargeless (ft)	32.8
Additional Charge of Refrigerant (oz/ft)	.21

Daikin North America LLC 5151 San Felipe, Suite 500 Houston, TX 77056

(Daikin's products are subject to continuous improvements. Daikin reserves the right to modify product design, specifications and information in this data sheet without notice and without incurring any obligations)



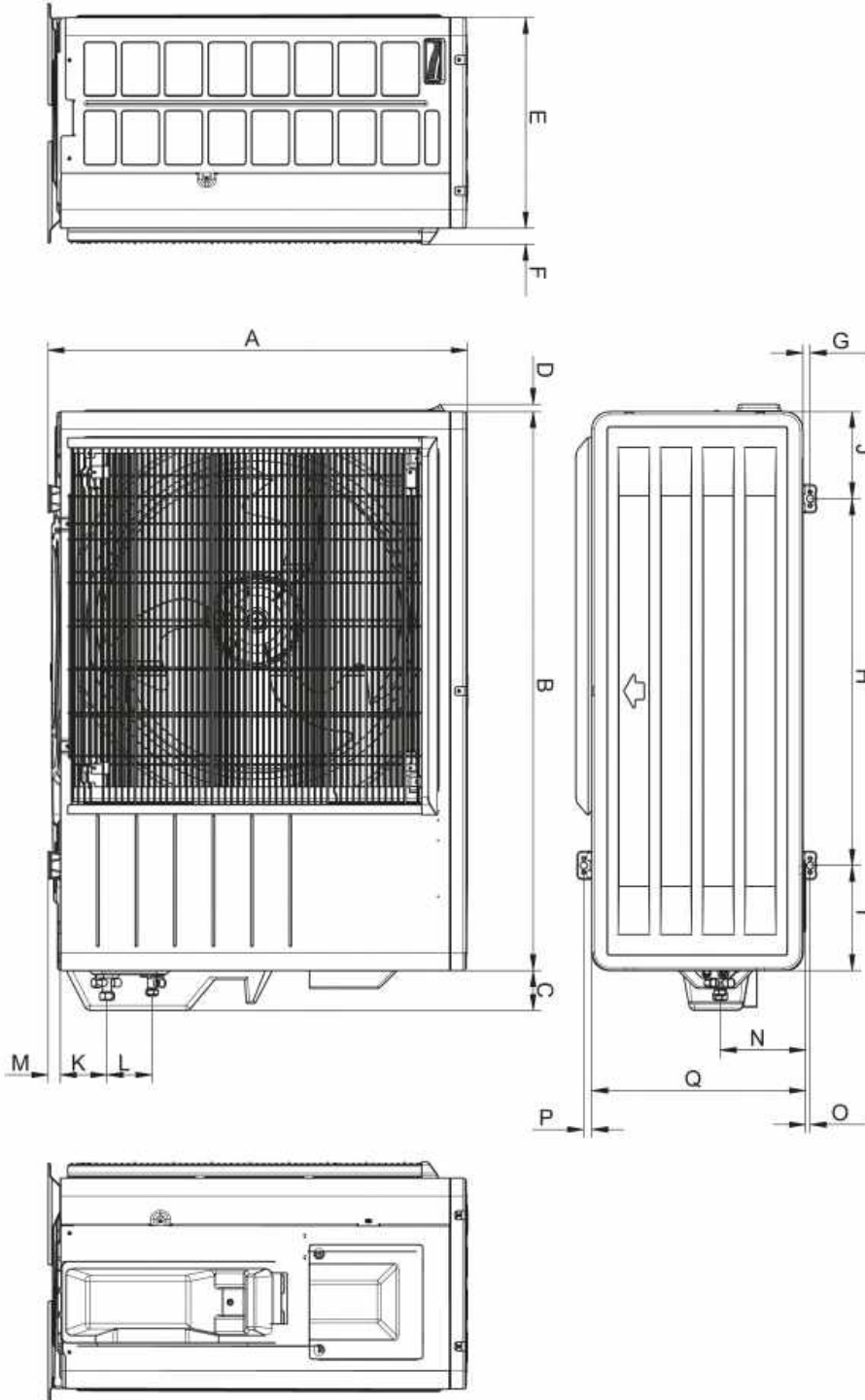
All dimensions are in inch (mm)

RX24AXVJU Dimensional Data



Model	Dimension																
18/24	A	B	C	D	E	F	G	H	I	J	K	L	M	N	O	P	Q
	27-13/32 (696)	36-5/8 (930)	2-19/32 (66)	15/32 (12)	13-13/16 (351)	1-1/16 (27)	15/32 (12)	24 (610)	6-7/8 (175)	5-23/32 (145)	3-1/32 (77)	2-31/32 (75)	13/16 (21)	5-19/32 (142)	5/16 (8)	17/32 (13)	13-31/32 (355)

All dimensions are in inch (mm)



Daikin North America LLC 5151 San Felipe, Suite 500 Houston, TX 77056

(Daikin's products are subject to continuous improvements. Daikin reserves the right to modify product design, specifications and information in this data sheet without notice and without incurring any obligations)



Indoor Unit		
Included	Part Number	Description
	BRP072A43	Wireless Interface Adaptor
	AZAI6WSCDKB	DKN Residential Cloud Wi-Fi Adaptor for Single- and Multi-Zone System (S21)
	BRC944B2-A08	Wired Remote Controller kit
	BRCW901A08	Wired Remote Controller Cable – 25ft (Included in above kit)
	BRCW901A03	Wired Remote Controller Cable – 10ft
	DACA-CP1-1	Inline Condensate Pump (Fits inside all Daikin wall & floor mount units)
	DACA-CP4-1	External Condensate Pump

Outdoor Unit		
Included	Part Number	Description
	DACA-WB-1	Powder-Coated Wall-Mounted Bracket
	KPW063B4E	Air Adjustment Grille