



Submittal Data Sheet

Project Name: _____
 Location: _____
 Engineer: _____
 Submitted to: _____
 Submitted by: _____
 Reference: _____

Approval: _____
 Date: _____
 Construction: _____
 Unit #: _____
 Drawing #: _____

Performance

MERV 13 Kit Model No.: DACA-FXMQ30131K
 Initial Pressure Drop (IPD in H2O): See Table 1.0
 Final Pressure Drop (FPD in H2O): .390

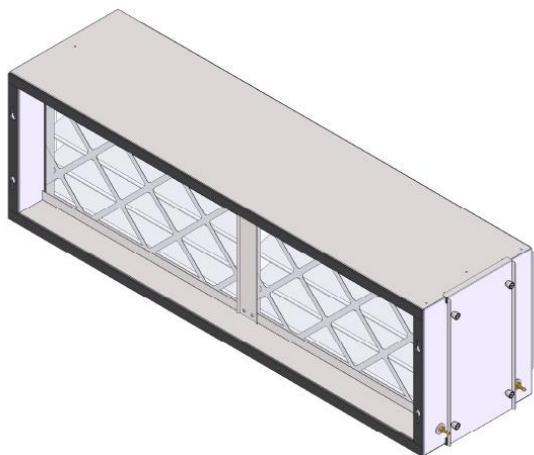
Details

Air Filter Dimensions (HxWxD): 11.38" x 19.00" x 3.75"
 Cabinet Dimensions (HxWxD): 11.75" x 39.00" x 11.00"
 Net Weight (lbs): _____
 Air Filter, Cabinet and Packaging: 22.94
 Air Filters: (2 required): 2.20
 Cabinet: 18.45
 Replacement Filters:
 Part No. (box of 6): DACA-MQP-30-1B
 Description: Air Filter, AmAir 1300 Exact Size MERV 13

Table 1.0 Performance Data

Model No.	Airflow CFM	Filter IPD	Filter FPD
Daikin			
FXMQ15PAVJU	560	.050	.390
FXMQ18PAVJU	636	.060	.390
FXMQ24PAVJU	688	.070	.390
SkyAir			
FBQ18PVJU	635	.060	.390
FBQ24PVJU	688	.070	.390
FBQ30PVJU	882	.100	.390

Appearance – MERV 13 Air Filter and Cabinet Kit





Submittal Data Sheet

Project Name: _____

Location: _____

Engineer: _____

Submitted to: _____

Submitted by: _____

Reference: _____

Dimensional Drawing – DACA-FXMQ30131K

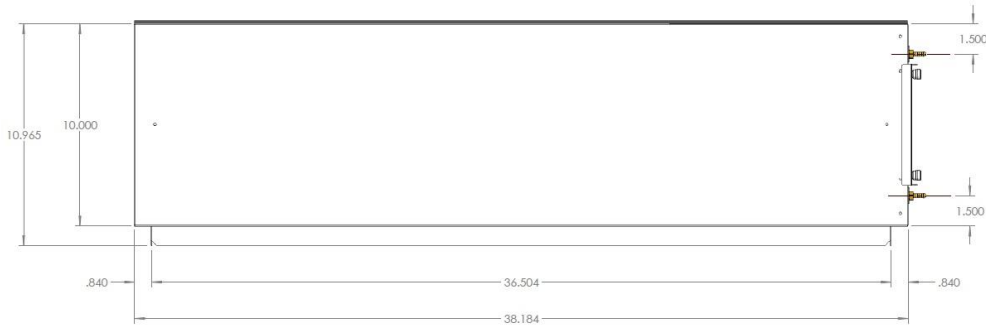
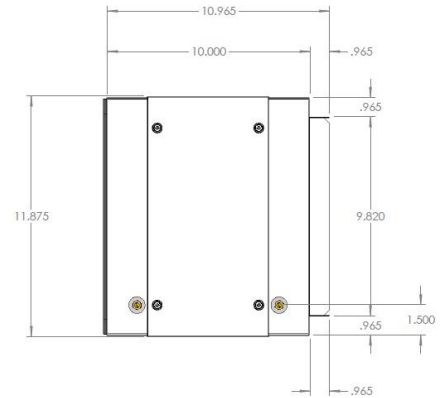
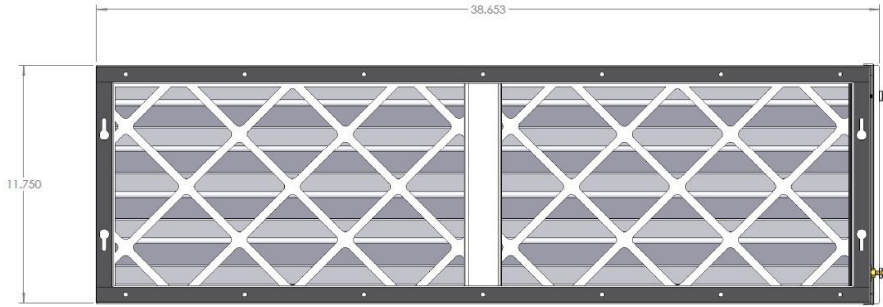
Approval: _____

Date: _____

Construction: _____

Unit #: _____

Drawing #: _____





Submittal Data Sheet

Project Name: _____
 Location: _____
 Engineer: _____
 Submitted to: _____
 Submitted by: _____
 Reference: _____

Approval: _____
 Date: _____
 Construction: _____
 Unit #: _____
 Drawing #: _____

Performance

MERV 13 Kit Model No.: DACA-FXMQ48131K
 Initial Pressure Drop (IPD in H2O): See Table 1.0
 Final Pressure Drop (FPD in H2O): .390

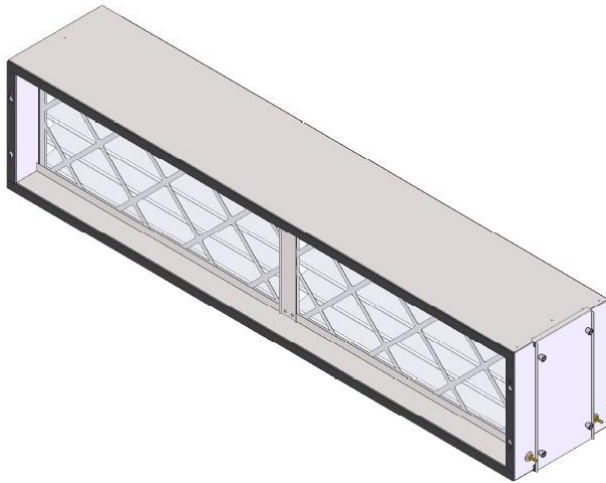
Details

Air Filter Dimensions (HxWxD): 11.38" x 26.88" x 3.75"
 Cabinet Dimensions (HxWxD): 11.75" x 54.50" x 11.00"
 Net Weight (lbs): _____
 Air Filter, Cabinet and Packaging: 29.83
 Air Filters: (2 required): 2.88
 Cabinet: 24.05
 Replacement Filters:
 Part No. (box of 6): DACA-MQP-48-1B
 Description: Air Filter, AmAir 1300 Exact Size MERV 13

Table 1.0 Performance Data

Model No.	Airflow CFM	Filter IPD	Filter FPD
Daikin			
FXMQ30PAVJU	1094	.085	.390
FXMQ36PAVJU	1130	.090	.390
FXMQ48PAVJU	1377	.110	.390
FXMQ54PAVJU	1624	.140	.390
SkyAir			
FBQ36PVJU	1130	.090	.390
FBQ42PVJU	1377	.110	.390

Appearance – MERV 13 Air Filter and Cabinet Kit





Submittal Data Sheet

Project Name: _____

Location: _____

Engineer: _____

Submitted to: _____

Submitted by: _____

Reference: _____

Dimensional Drawing – DACA-FXMQ48131K

Approval: _____

Date: _____

Construction: _____

Unit #: _____

Drawing #: _____

