

Project Name:	Approval:
Location:	Date:
Engineer:	Construction:
Submitted to:	Unit #:
Submitted by:	Drawing #:
Reference:	

Compatible with all Daikin VRV Mini-split, and all Multi-split indoor units – CDXS, CTXS, FDXS, FTXS, FTXN (FTXN requires KRP980B1 interface adapter)

Compatible with Daikin SkyAir indoor unit models: FTXS

Model Number	DST-TS1-1
Description	ENVi Thermostat
Control Quantity	1 indoor unit
Wiring for Power/Communication (requires field supplied 4 core wire)	18 AWG: 1250 ft. / 380 m 20 AWG: 800 ft. / 240 m 22 AWG: 500 ft. / 150 m
Power Supply	24VAC (supplied by *DPCA)
Cool Setpoint Range	65 to 95°F (18.5 to 35°C)
Heat Setpoint Range	45 to 80°F (7 to 26.5°C)
Operating Temp Range	32 to 130°F (0 to 55°C)
Humidity Display Range	20-90% RH
Operating Humidity Range	5 – 95% RH (no condensation)
Aux Heater Relay Electrical Rating	30VAC, Max Current 3A
Dimensions (WxHxD)	5.5 x 3.25 x 1 inches (139.5 x 82.5 x 25 mm)
Weight (Mass)	1.8 lb. (0.8 kg)



DACA-TS1-1

The Daikin ENVi Thermostat features:

- Wall mount controller
- Backlit
- Single setpoints in Cool or Heat modes
- Dual setpoints in Auto mode
- Fan On/Auto (Fan Auto, Fan stops when room temp is satisfied)
  - Min Fan On Time can be configured for better air circulation
- Senses and displays indoor temperature / humidity
- Display outdoor temperature and humidity
- Utility CPP (Critical Peak Pricing) setting available
- Supports a single-stage auxiliary heater
  - One relay implemented for an auxiliary heater
- Weekly Setback Schedule
  - Hold, Vacation, Optimum Start (Smart Recovery)
- Wi-Fi for web (PC) / mobile phone / tablet access
  - User Web Portal
    - Apple, Android, and Blackberry apps available
  - Contractor Web Portal for customer support
  - Displays weather forecast
- Email Alarm and reminder
  - Upper and lower limit temp and humidity alerts
  - Equipment maintenance reminder
- Daikin Error code and plain text (same text as Dr. Daikin mobile access) are displayed and emailed.

<b>*DPCA</b>	
Description	Daikin Power Communication Adapter (DPCA)
Maximum Connections	1 ENVi Thermostat
Power Supply	208/230V (connected to power terminal of Indoor Unit)
Power Cable Length	5 ft. 4 in.
Operating Temp Range	20 to 140 °F (-7 to 60 °C)
Operating Humidity Range	5 to 95% RH (no condensation)
Dimensions (WxHxD)	4.7 x 2.0 x 1.3 inches (120 x 50 x 32.5 mm)

Daikin North America LLC, 5151 San Felipe Suite 500, Houston, TX 77056

Daikin North America LLC Controls Engineering Department Generated Submittal Data

[www.daikinac.com](http://www.daikinac.com)

Project Name: \_\_\_\_\_

Location: \_\_\_\_\_

Engineer: \_\_\_\_\_

Submitted to: \_\_\_\_\_

Submitted by: \_\_\_\_\_

Reference: \_\_\_\_\_

Approval: \_\_\_\_\_

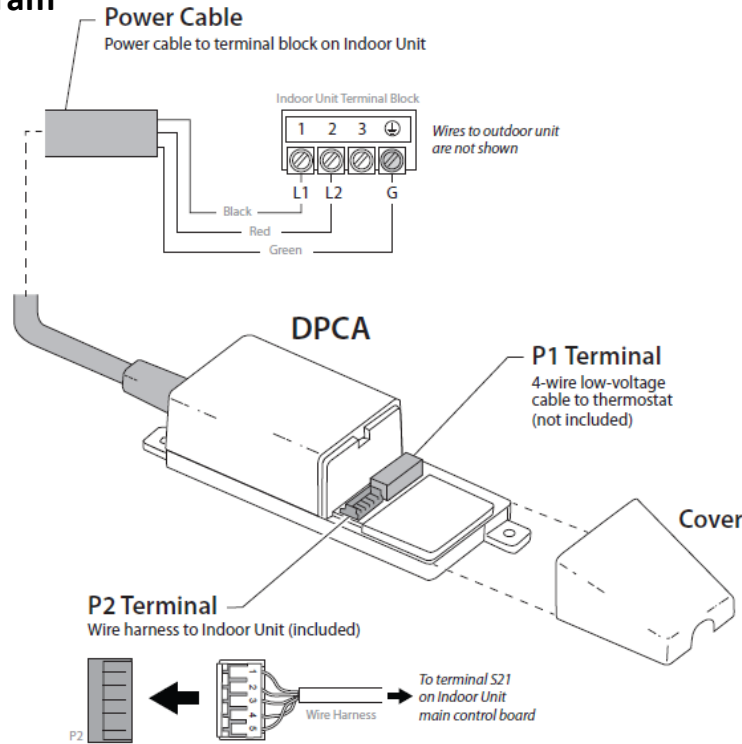
Date: \_\_\_\_\_

Construction: \_\_\_\_\_

Unit #: \_\_\_\_\_

Drawing #: \_\_\_\_\_

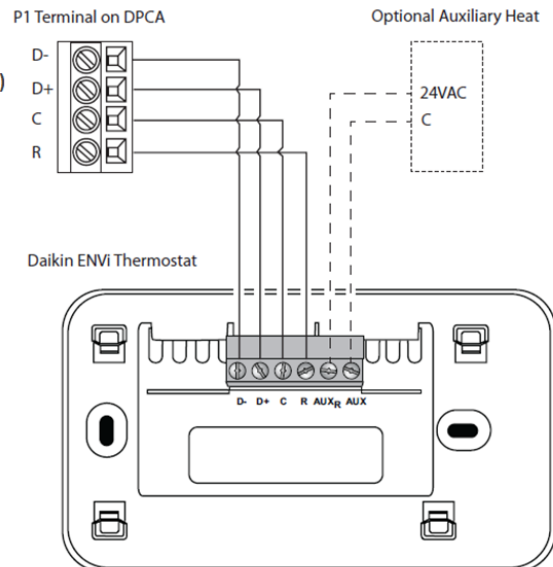
## Wiring Diagram



**D-, D+ : 2 wire for RS485 serial communication (Modbus)**

**C, R : 2 wire for power supply (24VAC)**

D-, D+: Communication wire – polarity sensitive



Daikin North America LLC, 5151 San Felipe Suite 500, Houston, TX 77056

Daikin North America LLC Controls Engineering Department Generated Submittal Data

[www.daikinac.com](http://www.daikinac.com)