

Project Name:	Approval:
Location:	Date:
Engineer:	Construction:
Submitted to:	Unit #:
Submitted by:	Drawing #:
Reference:	

MODEL COMPATIBILITY:

Part Number	Compatible Indoor Unit Models
KRP067A41E	FTX09NMVJU, FTX12NMVJU, FTK09NMVJU, FTK12NMVJU, FTXN09NMVJU, FTXN12NMVJU, FTKN09NMVJU, FTKN12NMVJU
KRP980B1	FTXN_KEVJU
KRP980B2E	FTX18NMVJU, FTX24NMVJU, FTK18NMVJU, FTK24NMVJU, FTXN18NMVJU, FTXN24NMVJU, FTKN18NMVJU, FTKN24NMVJU

SPECIFICATIONS:

Model	KRP067A41E/KRP980B1/KRP980B2E
Description	Adaptor for Wired Controllers
Maximum Connections	1 indoor unit
Dimensions	4.25 x 1.88 x 1.30 inches
Mounting	Inside the indoor unit

PRODUCT IMAGE:



FEATURES:

- Provides a S21 interface for the compatible indoor unit model which does not have a build-in S21 connector
- Connects the compatible indoor unit with one of the following controller/adaptor*:
 - BRC944B2 - Wired Remote Controller
 - KRP928BB2S - RA Interface Adaptor for DIII-Net
 - KRP413AB1S - Wiring Adaptor for Timer Clock / Remote Controller
 - BRP072A43 - Wireless LAN Connect Adaptor (includes an Adaptor for Wired Controller already)

* Additional cable (BRCW901A08/ DACA-BRCW901P10/ DACA-BRCW901P25) is needed if both BRC944B2 and KRP928BB2S are connected. (The Wired Remote Controller Kit BRC944B2-A08 includes both BRCW901A08 and the BRCW901A08.)

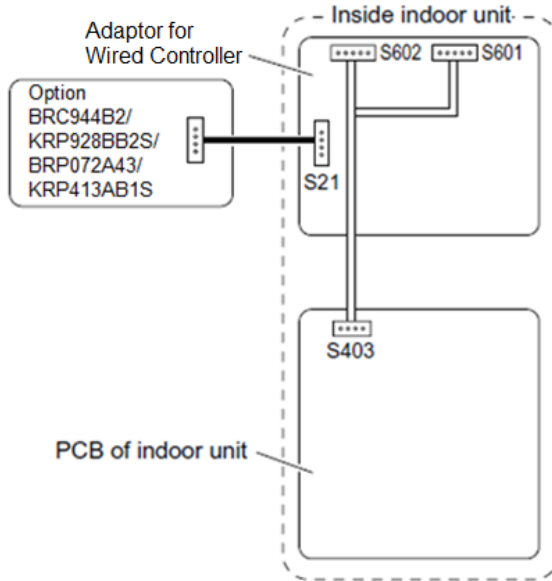
WIRING DIAGRAM:

- Connects to one controller/adaptor:

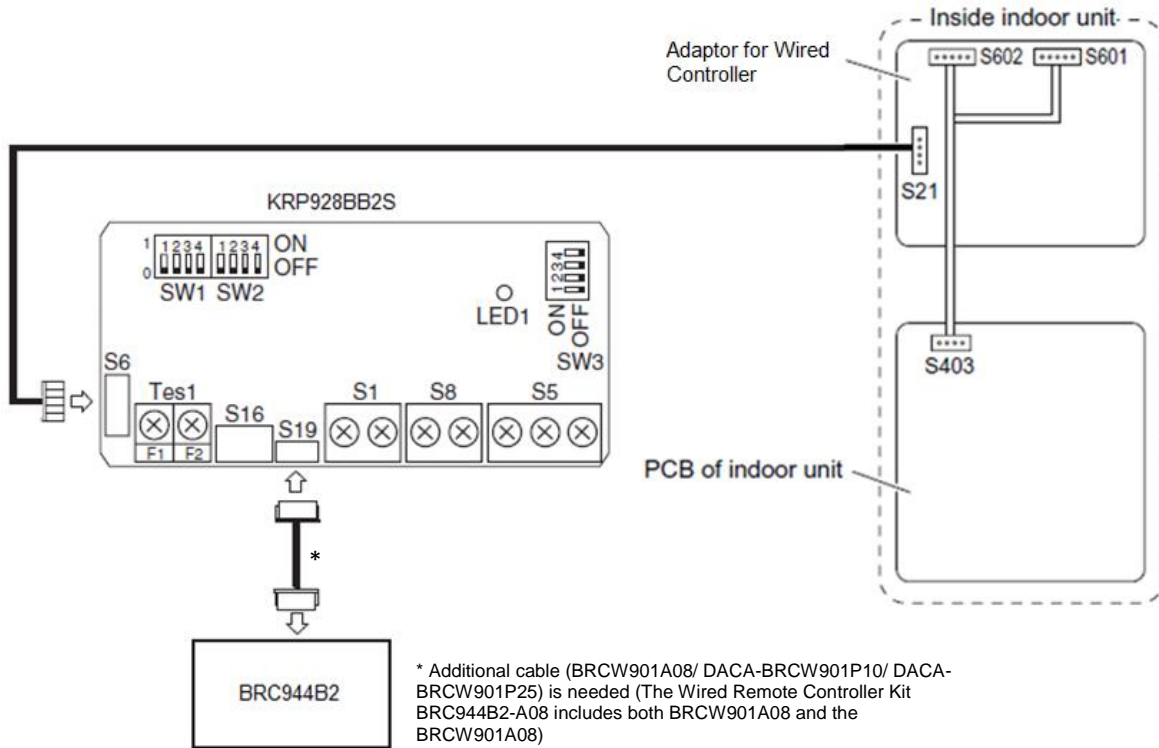
Submittal Data Sheet

KRP067A41E/KRP980B1/KRP980B2E
Adaptor for Wired Controller

Project Name: _____	Approval: _____
Location: _____	Date: _____
Engineer: _____	Construction: _____
Submitted to: _____	Unit #: _____
Submitted by: _____	Drawing #: _____
Reference: _____	



- Connects to BRC944B2 and KRP928BB2S together



Daikin North America LLC, 5151 San Felipe, Suite 500, Houston TX, 77056
www.daikinac.com www.daikincity.com

(Daikin's products are subject to continuous improvements. Daikin reserves the right to modify product design, specifications and information in this data sheet without notice and without incurring any obligations)



Submittal Data Sheet
KRP067A41E/KRP980B1/KRP980B2E
Adaptor for Wired Controller

Project Name: _____	Approval: _____
Location: _____	Date: _____
Engineer: _____	Construction: _____
Submitted to: _____	Unit #: _____
Submitted by: _____	Drawing #: _____
Reference: _____	

DOCUMENTATION:

Documentation available on www.daikincity.com and/or www.daikinac.com:

- Submittal
- Installation Manual