

Type 802B Check Valves Series

(Patent 3,438,391)

For years, this “Y” type of valve has been the most popular design in the refrigeration industry. The internal parts can easily be removed and reassembled after soldering. This basic “Y” type design reduces pressure drop to a very low level.

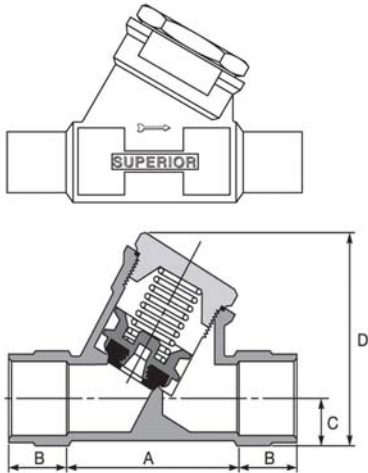
The PTFE seat insert rapidly conforms to the cone style of seating surface in the body. This ensures positive shut-off characteristics. This valve minimizes leakage even at the lowest back pressure. A specially designed secondary seat backs up the primary seat. After approximately 10,000 cycles of operation, the secondary seat becomes effective. This is done to ensure even better shut-off characteristics as the valve wears into service.

Upon reassembly of the valve, positive shut-off between the body cap and the body is assured by means of a special gasket seal. All Superior H-V Check Valves have PTFE seats. These valves may be installed in any position, except upside down.

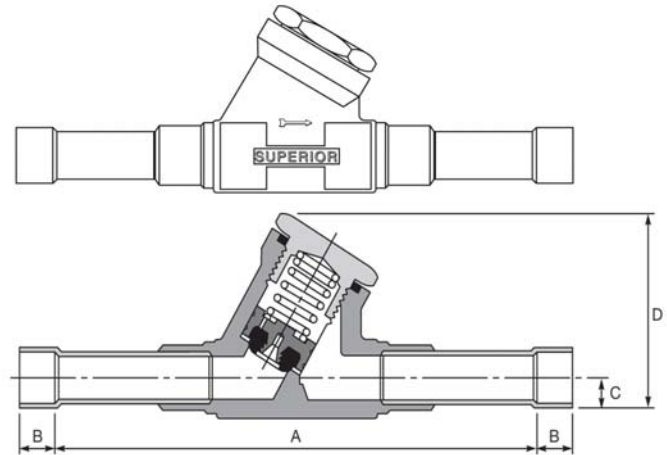


- Design pressure/Maximum abnormal pressure (DP/MAP) 800 PSIG
- Construction: all-forged brass
- Seat material: PTFE
- Specially designed secondary seat backs up primary seat
- Copper gasket between body cap and body assures positive shut-off
- Continuous operating temperature (COT): -40°F to 400°F (-40°C to 149°C)
- Low pressure drop “Y” design
- Tube extensions permit valve to be soldered without disassembly
- All UL® and cUL Recognized
- Patent No. 3,438,391
- Recommended bonnet torque: 802/803-45 ft. lbs., 804-75 ft. lbs.
- Contact factory or visit website for compatibility with CFC, HCFC, HFC and HFO refrigerants and oils
- Suitable for many applications, such as hot gas defrost
- For gases and liquids not listed, please consult factory.
- Comes with standard 1/2-lb. differential spring
- For special higher differential springs for all check valves, please consult factory.
- CRN 0C8195.5

Type 802B Check Valve Series



Type 802B Check Valve Series ODS x ODS Tube Extensions*



Part Number	Size (Inches)	Dimensions (Inches)				Cv	UPC	Weight (lbs.)
		A	B	C	D			
Flare x Flare								
802B-4	1/4	2.00	0.50	0.47	2.06		685768409403	0.54
802B-6	3/8	1.75	1.67	0.47	2.06	1.75	685768409441	0.55
802B-8	1/2	1.50	0.75	0.47	2.06	3.20	685768409489	0.58
ODS x ODS								
802B-4S	1/4	2.38	0.31	0.47	2.06		685768409410	0.55
802B-6S	3/8	2.13	0.44	0.47	2.06	1.75	685768409458	0.53
802B-8S	1/2	1.88	0.56	0.47	2.06	3.20	685768409496	0.51
803B-10S	5/8	2.00	0.66	0.47	2.06	3.80	685768409632	0.54
804A-14S	7/8	2.13	0.80	0.50	2.50		685768409342	0.89
804A-12S	3/4	2.25	0.75	0.59	2.56	8.50	685768409717	0.90
ODS x ODS Tube Extensions								
802B-4ST	1/4	5.63	0.31	0.47	2.06		685768409434	0.58
802B-6ST	3/8	5.38	0.38	0.47	2.06	1.75	685768409472	0.59
802B-8ST	1/2	5.19	0.38	0.47	2.06	3.20	685768409335	0.61
803B-10ST	5/8	5.81	0.50	0.47	2.06	3.80	685768409649	0.66
804A-14ST	7/8	6.25	0.75	0.59	2.56	8.50	685768409755	1.10

Tube extensions permit valve to be silver soldered directly to line without disassembly.

Select models available with 5lb, 10lb, 50lb and 140lb springs.