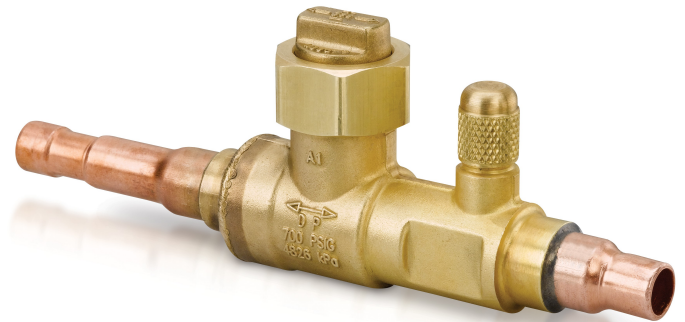
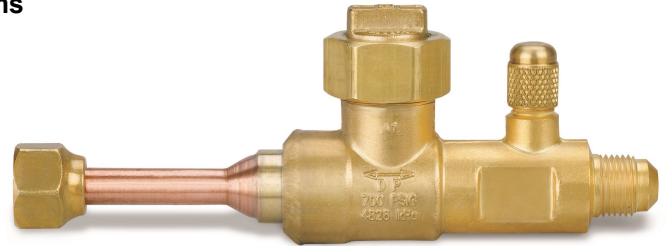


## ***Improved Unibody Design Minimizes Leaks.***

### **Flare and ODS Connection Ball Valves for use with VRF Systems**

- Offered in both flare connections and ODS copper tube connections
- Superior Uni-body design eliminates leak points
- Full port design
- Design pressure/Maximum abnormal pressure (DP/MAP): 800 PSIG
- Offered with optional fully assembled insulation wrap
- Each ball valve is factory tested under pressure
- Equipped with access fitting for refrigerant service
- Forged brass body and seal cap
- Uses polytetrafluoroethylene (PTFE) seals and gaskets
- Seal cap design permits valve operation without removal of seal cap
- Sizes available: 1/4", 3/8", 1/2", 5/8"
- Continuous operating temperature (COT): -40°F to 325°F (-40°C to 163°C)
- Contact factory or visit website for compatibility with CFC, HCFC, HFC, and HFO refrigerants and oils
- CRN 0C8195.5



#### **A History of Quality and Innovation**

For nearly a century, Superior has been the world's leading provider of HVACR valves and accessories.

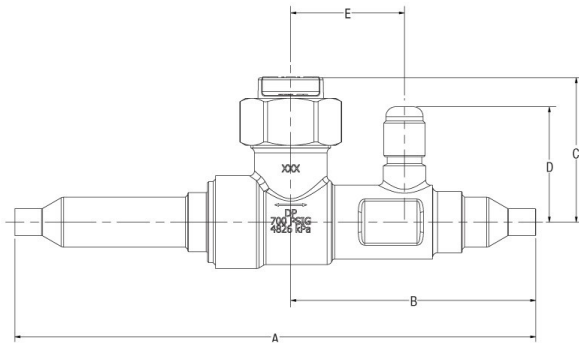
#### **Manufacturing Quality, Safety and Reliability**

Superior HVACR products are designed to meet the highest standards, and only quality materials are used. Careful assembly and detailed inspection of every part ensures top performance and durability. Superior is fully certified to the stringent requirements of ISO 9001, which increase manufacturing efficiency and reliability.

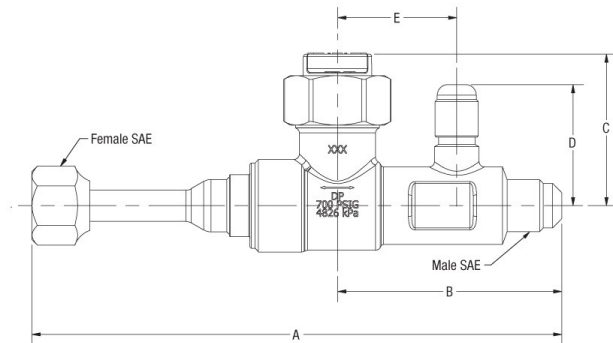
#### **Your Valve Partner**

Our engineering team includes experts in product design and development as well as experts in the quality and compliance testing requirements needed to create custom valves to meet your unique applications. We know valves are a system-critical piece of your business and we're proud to provide you with American-made products and service you can trust.

## ODS x ODS Connection Valve



## Flare x Flare Connection Valve



Part Number	Size (Inches)	Dimensions (Inches)					UPC	Weight (lbs.)
		A	B	C	D	E		
<b>Flare x Flare Connection</b>								
586WBS-8FL	1/2 M SAE x 1/2 F SAE	6.56	2.67	1.8	1.33	1.42	685768412892	1.00
586WBS-6FL	3/8 M SAE x 3/8 F SAE	6.38	2.67	1.8	1.33	1.42	685768412854	0.97
586WBS-4FL	1/4 M SAE x 1/4 F SAE	6.26	2.67	1.8	1.33	1.42	685768412809	0.93
586WBS-10FL	5/8 M SAE x 5/8 F SAE	6.72	2.67	1.8	1.33	1.42	685768412762	1.04
<b>Flare x Flare Connection, Factory Wrapped in Foam Insulation</b>								
586WBS-4FLSP	1/4 M SAE x 1/4 F SAE						685768412816	0.94
586WBS-10FLSP	5/8 M SAE x 5/8 F SAE						685768412779	1.04
586WBS-8FLSP	1/2 M SAE x 1/2 F SAE						685768412908	1.00
586WBS-6FLSP	3/8 M SAE x 3/8 F SAE						685768412861	0.95
<b>ODS x ODS Connection</b>								
586WBS-6SW	3/8 ODS x 3/8 ODS	6.50	3.06	1.8	1.33	1.42	685768412878	0.82
586WBS-4SW	1/4 ODS x 1/4 ODS	6.50	3.06	1.8	1.33	1.42	685768412823	0.88
586WBS-10SW	5/8 ODS x 5/8 ODS	6.50	3.06	1.8	1.33	1.42	685768412786	0.89
586WBS-8SW	1/2 ODS x 1/2 ODS	6.50	3.06	1.8	1.33	1.42	685768412915	0.88
<b>ODS x ODS Connection, Factory Wrapped Foam Insulation</b>								
586WBS-10SWSP	5/8 ODS x 5/8 ODS						685768412793	1.00
586WBS-8SWSP	1/2 ODS x 1/2 ODS						685768412922	0.85
586WBS-6SWSP	3/8 ODS x 3/8 ODS						685768412885	0.88
586WBS-4SWSP	1/4 ODS x 1/4 ODS						685768412830	0.86