
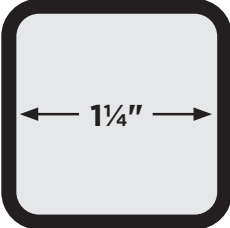



What size is the consumer's hitch?

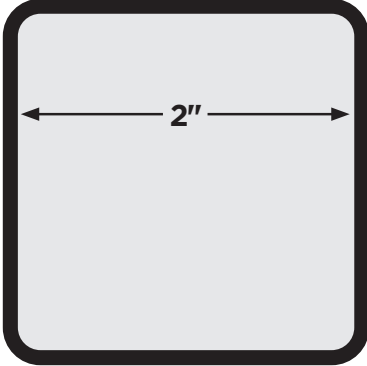



1¼" Receiver



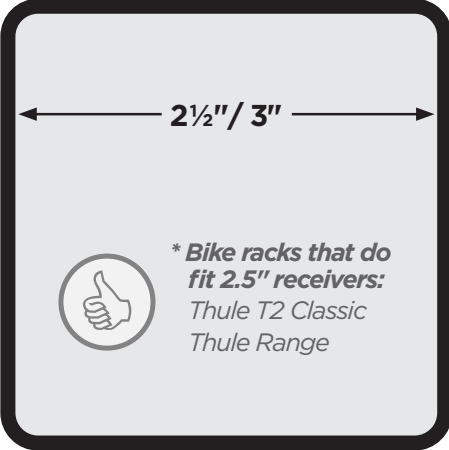


2" Receiver





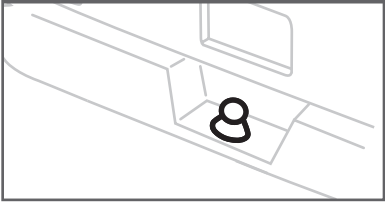
3" Receiver - NO FIT
2½" - NO FIT*



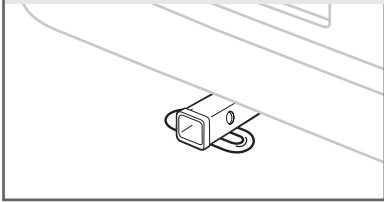
** Bike racks that do fit 2.5" receivers:
Thule T2 Classic
Thule Range*

What class is the consumer's hitch?

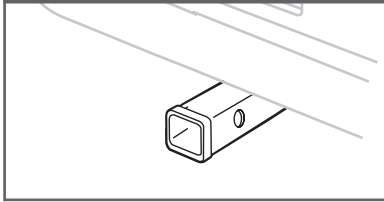
CLASS 1:
Draw Bar / Step Bumper



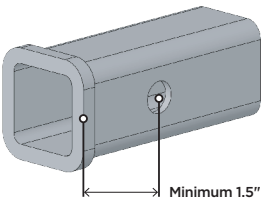
CLASS 1 or 2:
1¼" Receiver



CLASS 2 to 5:
2" Receiver

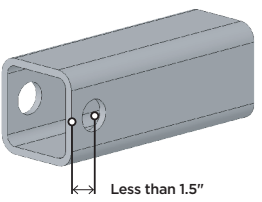


Consumer's hitch pin hole depth?



Minimum 1.5"

All Thule hitch racks approved for use.



Less than 1.5"

See chart to confirm if Thule hitch rack is approved for use.

	Hitch Rack	Pin Hole Depth Requirement
PLATFORM	T2 Pro XT/XTR	
	9034XT/9034XTR	1.125"
	9035XT/9035XTR	1.5"
	9034XT/XTR + 9036XT	1.5"
	Helium Platform	
	903900/904010	1.5"
	T2 Classic	
	9044	1.5"
	9045	1.5"
	9044 + 9046	1.5"
	T1	
	9041	1.5"
Doubletrack Pro XT		
9054/905402	1.5"	
EasyFold XT		
903202	1.5"	

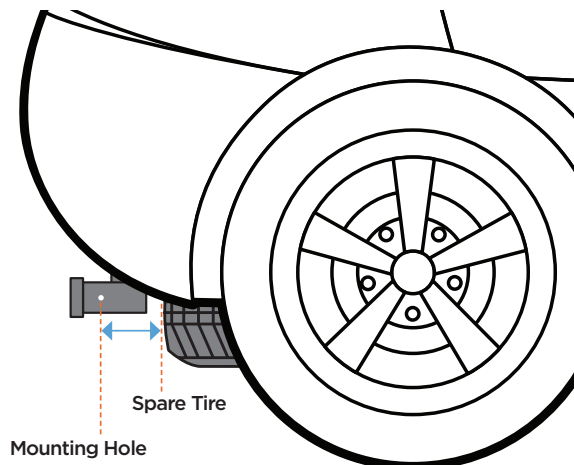
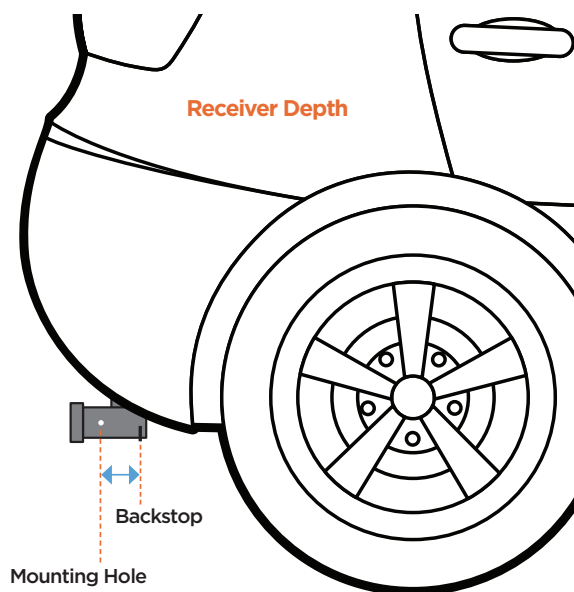
	Hitch Rack	Pin Hole Depth Requirement
SWING	Apex XT Swing	
	9027XT	1.5"
TILT	Helium Pro	
	9042Pro	1.5"
	9043Pro	1.5"
	Apex XT	
	9024XT	1.5"
	9025XT	1.5"
	9026XT	1.5"
	Camber	
9056/9058	1.5"	
Range		
5057	1.5"	

Consumer's hitch receiver depth?

To ensure proper fit, it's important to know the depth of your receiver. Determine this by doing the following:

- With a ruler inserted in the receiver, measure from the center of the hitch mounting hole to the point where you make contact with an obstacle. **This is your receiver depth.**
- If you do not contact a back-stop or your hitch receiver does not have a backstop, another potential point of contact could be an undercarriage-mounted spare tire or the undercarriage itself.
- Using the table in the next page, compare your measurement to see which hitch racks will work with your vehicle.

Your receiver depth must be equal to or greater than the product measurement listed in the table for a proper fit.



	Hitch Rack	Receiver Depth
PLATFORM	EasyFold XT	
	903202	1.4"
	Helium Platform	
	903900	2.3"
	904010	2.3"
	T2 Pro XT/XTR	
	9034XT/9034XTR	2.5"
	9035XT/9035XTR	1.4"
	9034XT/XTR + 9036XT	2.5"
	T2 Classic	
9044	2.6"	
9045	1.4"	
9044+9046	2.6"	
T1		
9041	1.5"	
DoubleTrack Pro XT		
9054/905402	1.5"	
SWING	Apex XT Swing	
9027XT	2.5"	
TILT	Helium Pro	
	9042PRO, 9043PRO	1.4"
	Apex XT	
	9024XT	1.4"
	9025XT	1.4"
	9026XT	1.4"
	Camber	
	9058/9056	1.5"
Range		
9057	2.4"	

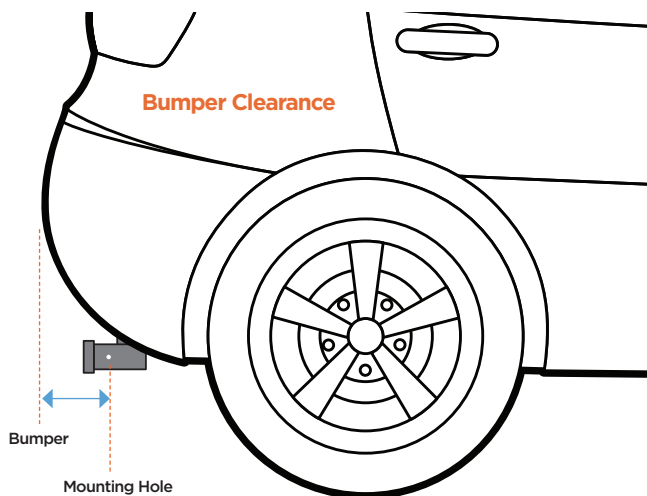
Technical information

Consumer's hitch bumper clearance?

Make sure your bumper will not interfere with the Thule hitch rack. Measure the distance from the center of the mounting hole on your hitch to the end of your bumper.

This is your bumper clearance.

Your bumper clearance must be equal to or less than the product measurement listed in the table for a proper fit.

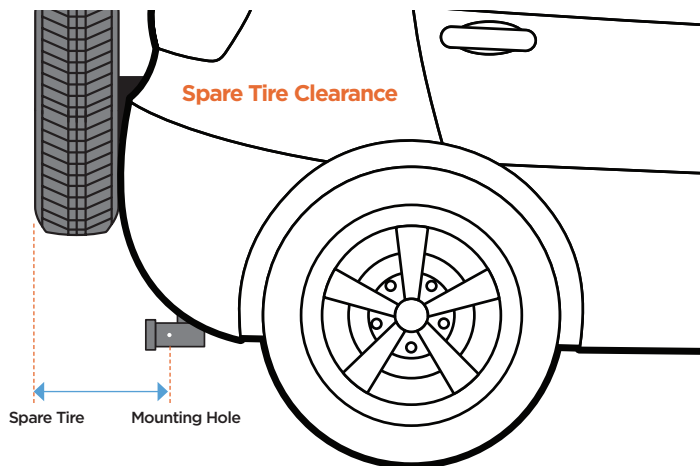


Consumer's spare tire clearance?

If you have a spare tire on the back of your vehicle it may interfere with the installation of your Thule hitch rack. Measure the distance from the center of the mounting hole on your hitch receiver to the end of your spare tire.

This is your spare tire clearance.

Your spare tire clearance must be equal to or less than the product measurement listed in the table for a proper fit.



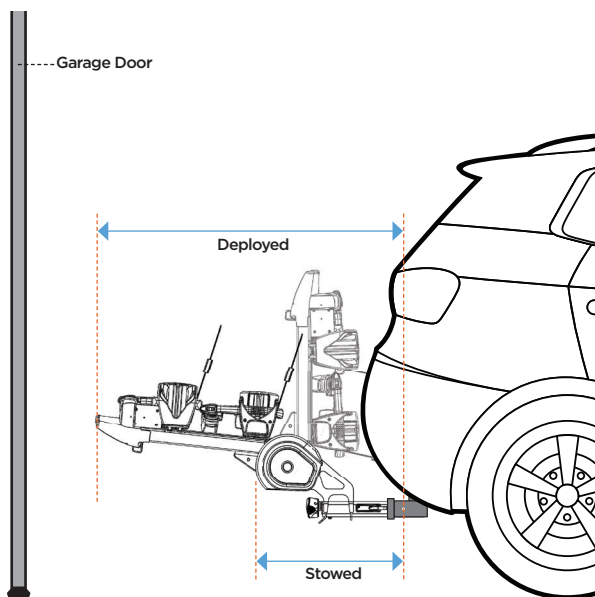
	Hitch Rack	Bumper Clearance
PLATFORM	EasyFold XT	
	903202	9.5"
	T2 Pro XT/XTR	
	9034XT/9034XTR	6.3"
	9035XT/9035XTR	6.3"
	9034XT/XTR + 9036XT	6.3"
	Helium Platform	
	903900	3"
	904010	3"
	T2 Classic	
9044	4.5"	
9045	3.5"	
9044+9046	4.5"	
T1	9041	6.5"
	DoubleTrack Pro XT	
9054/905402	6.0"	
SWING	Apex XT Swing	
	9027XT	7.3"
TILT	Helium Pro	
	9042Pro/9043Pro	10.8"
	Apex XT	
	9024XT	7.0"
	9025XT	7.0"
	9026XT	7.0"
	Camber	
	9058/9056	5.3"
	Range	
	9057	5.4"

	Hitch Rack	Stowed Spare Tire Clearance	In-Use Spare Tire Clearance
PLATFORM	EasyFold XT		
	903202	12.0"	12.0"
	T2 Pro XT/XTR		
	9034XT/9034XTR	6.3"	20.5"
	9035XT/9035XTR	6.3"	20.5"
	9034XT/XTR + 9036XT	6.3"	20.5"
	Helium Platform		
	903900	N/A	11.0"
	904010	N/A	11.0"
	T2 Classic		
9044	3.5"	20.0"	
9045	3.5"	20.0"	
9044+9046	2.5"	20.0"	
T1	9041	6.0"	19.3"
	DoubleTrack Pro XT		
9054/905402	6.0"	6.0"	
SWING	Apex XT Swing		
	9027XT	8.8"	8.8"
TILT	Helium Pro		
	9042Pro/9043Pro	13.3"	13.3"
	Apex XT		
	9024XT	10.3"	10.3"
	9025XT	10.3"	10.3"
	9026XT	10.3"	10.3"
	Camber		
	9058/9056	7.3"	7.3"
	Range		
	9057	6.9"	6.9"

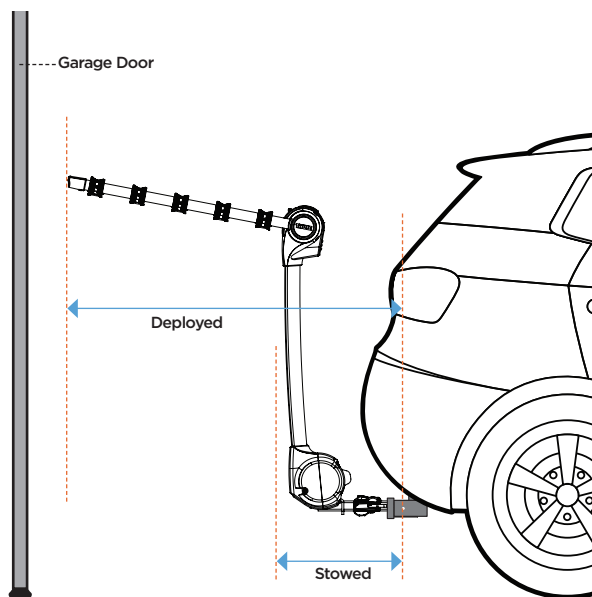
Consumer's garage clearance?

If you will be parking your vehicle in a garage with the rack mounted, you can use these measurements to help you determine if there will be any interference issues with fitting your vehicle into your garage space with the rack in the stowed position or deployed position.

Garage Clearance - Platform Models



Garage Clearance - Swing & Tilt Models



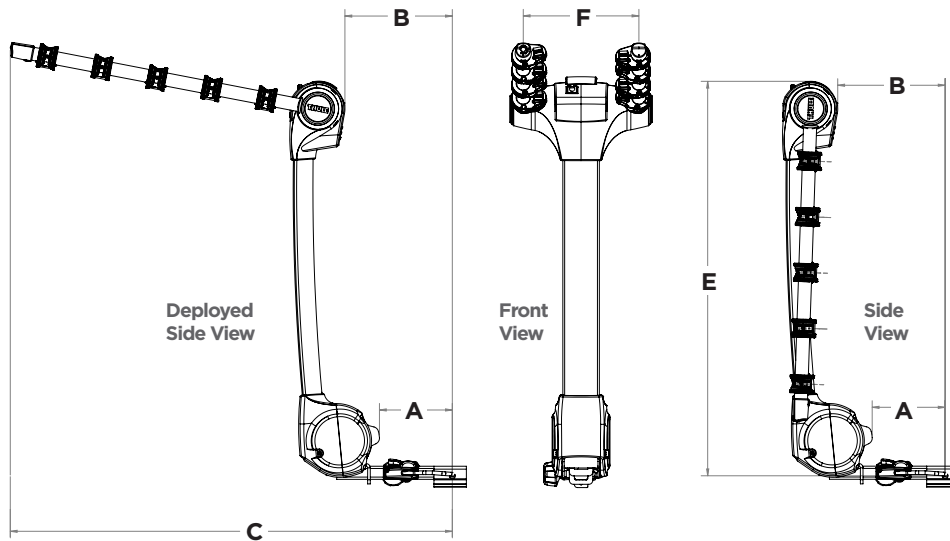
	Hitch Rack	Stowed Clearance	Deployed Clearance
PLATFORM	T2 Pro XT/XTR		
	9034XT/9034XTR	20.5"	41.5"
	9035XT/9035XTR	20.5"	41.5"
	9034XT/XTR + 9036XT	20.5"	60.1"
	T1		
	9041	14.3"	28.5"
	T2 Classic		
	9044	16.3"	35.3"
	9045	16.3"	34.3"
	9044+9046	16.3"	55.0"
	DoubleTrack Pro XT		
	9054/905402	14.5"	33"
	Helium Platform		
	903900	13.5"	20.8"
904010	13.5"	30.7"	
EasyFold XT			
903202	32"	32"	

	Hitch Rack	Stowed Clearance	Deployed Clearance
TILT	Helium Pro		
	9042PRO	20.7"	32.0"
	9043PRO	21.9"	39.0"
	Apex XT		
	9024XT	14.7"	28.2"
	9025XT	14.7"	38.1"
	9026XT	14.7"	42.1"
	Camber		
	9058	14.8"	28.3"
	9056	14.8"	42.2"
	Range		
9057	14.4"	42.0"	
SWING	Apex XT Swing		
	9027XT	15.2"	42.2"

Hitch dimensions

Though we design our hitch-mounted bike carriers to be as universal as possible, all vehicles are designed differently. These diagrams have been designed to help you better understand the “room” our hitch-mounted bike racks need to function properly.

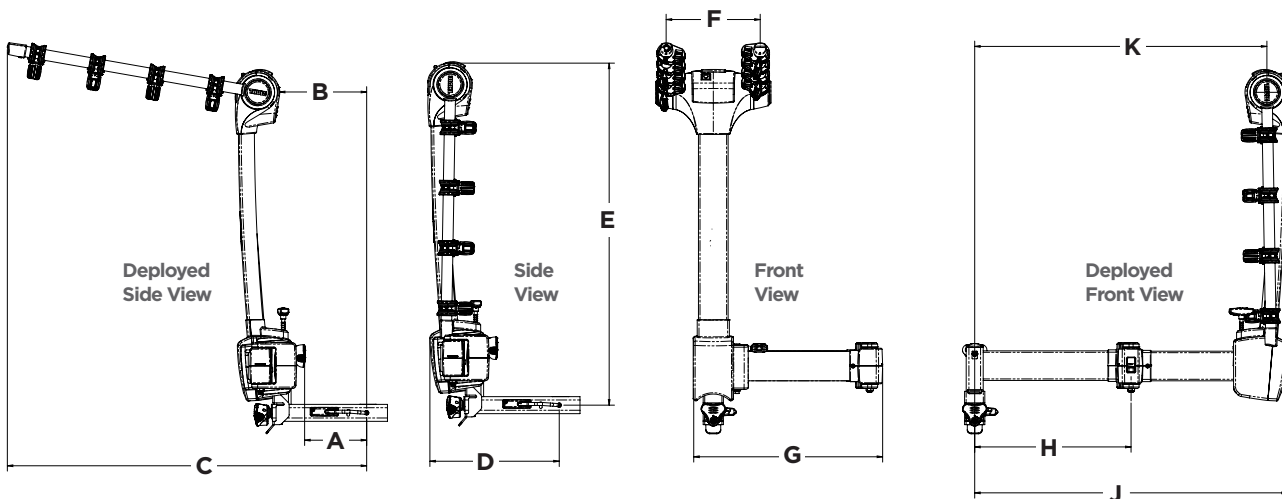
Tilt hitch racks



MODEL	A	B	C	D	E	F
9042PRO	10.8"	13.2"	32"	20.7"	37.3"	11"
9043PRO	10.8"	13.2"	39"	21.9"	37.3"	11"
9024XT	7"	9.3"	28.2"	15.4"	37"	11"
9025XT	7"	9.3"	42.1"	15.4"	37"	11"
9026XT	7"	9.3"	42.1"	15.4"	37"	11"

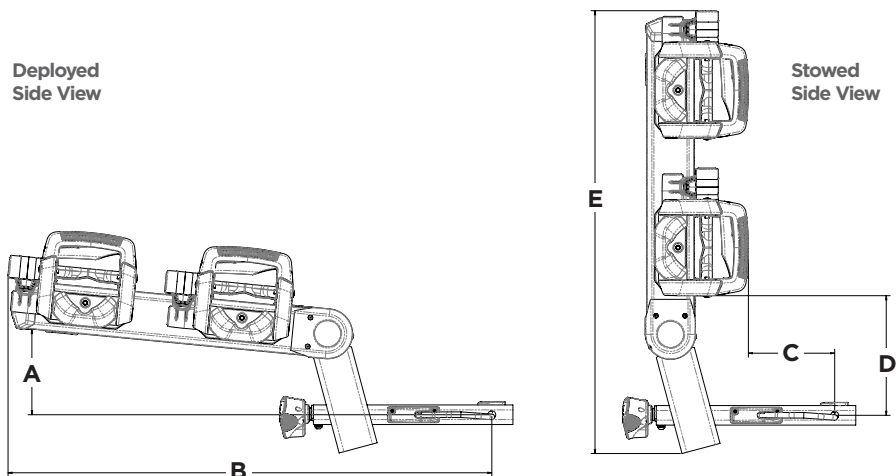
MODEL	A	B	C	D	E	F
9058	5.3"	6.7"	28.3"	14.8"	35.6"	11"
9056	5.3"	6.7"	42.2"	14.8"	35.6"	11"
9057	8.5"	6.3"	42.1"	14.8"	35.6"	11"

Swing away hitch racks



MODEL	A	B	C	D	E	F	G	H	J	K
9027XT	7.3"	10.3"	42.2"	15.2"	40.2"	11.1"	22.2"	18.4"	36.7"	34.3"

Platform hitch racks



MODEL	A	B	C	D	E
903900	4.4"	21"	5.6"	8"	18.5"
904010	5"	31"	5.6"	8"	28"
903202	6"	32"	9.5"	N/A	32"
9034XTR	7.6"	41.5"	6.25"	7.9"	33.8"
9035XTR	7.9"	41.5"	6.25"	7.9"	33.8"
9034XTR + 9036XTB	9.6"	60.1"	6.26"	7.9"	52.5"
9044	6.4"	35.3"	4.5"	8.9"	29.25"
9045	7.9"	34.3"	3.5"	10.4"	28"
9044 + 9046	7.9"	55"	4.5"	8.9"	49"
9041	4.5"	28.5"	3.5"	15.3"	26.5"
9054	5"	33.9"	5.8"	14.25"	30.6"

Thule Access 9037

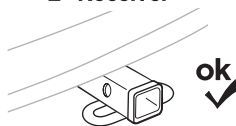


Failure to follow WARNINGS, THULE GUIDELINES or PRODUCT INSTRUCTIONS could result in the following: DAMAGE TO VEHICLE, PROPERTY DAMAGE AND SERIOUS PERSONAL INJURY OR DEATH.

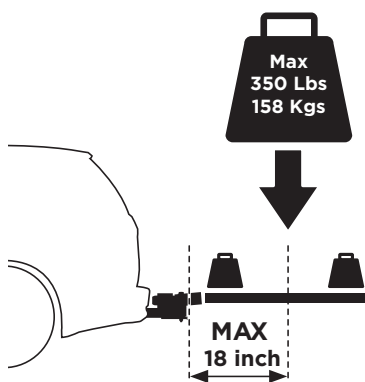
Warnings

- Do not exceed the HITCH manufactures MAX TONGUE WEIGHT capacity.
- This accessory is rated for Class 3 or greater 2" receiver hitches only.

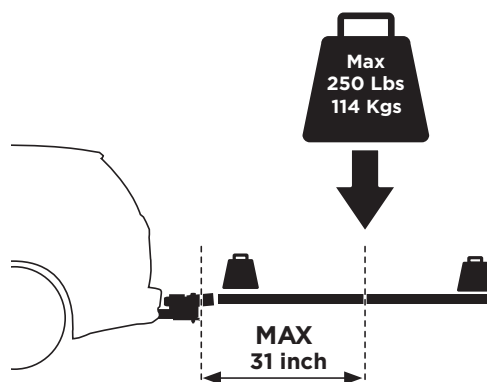
Class 3 to 5
2" Receiver



Class 1 to 2
1.25" & 2" Receiver



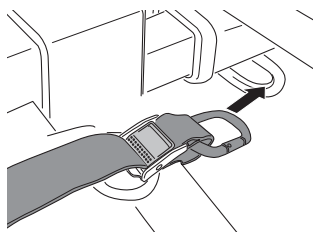
With load centered less than 18" from Access pin hole, do not exceed 350 lbs max capacity.



With load centered greater than 18" from Access pin hole, do not exceed 250 lbs max capacity.



- This product is not for towing use.
- Do not use on towed vehicle.
- Do not use this product on RV's or trailers.
- This product is not approved for off-road use.



- Always use the safety strap, do not operate if damaged or missing.
- Keep hands away from PIVOTING AREAS.
- Do not allow children in the work area of this product when not in use.
- Do not attempt to move vehicle with adapter in open position.

Caution!

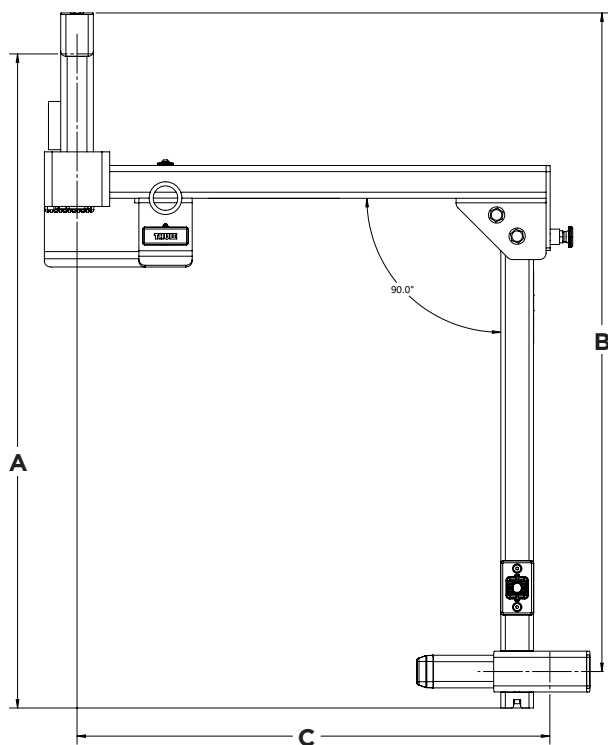
- Confirm the product you intend to use is approved for use on Thule Access.
- Do not use this product upside down.
- Periodically check tightness of Thule Access in vehicle receiver.
- Make sure your rack and receiver are in good working order before use.
- Must mount to your vehicles receiver directly. Do not use hitch extenders.
- Do not take through automatic carwash.
- Obey all traffic posted traffic laws when using this product.
- The added distance and weight will amplify deflection. Drive responsibly.

Approved Thule bike rack fits:

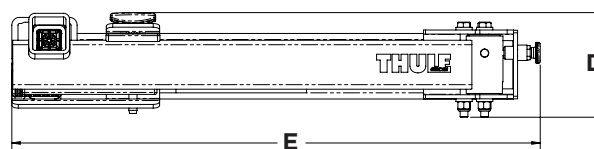
Product / Part number	Weight (lbs.)	Rack compatibility	Number of bike positions	Capacity (lbs.)		Lbs.	
				Each bike position	Max load	Rack weight	Total Rack and Bikes
Thule Access							
9037	55	Thule T2 Pro XT/XTR - 2 Bike	2	60	120	52	172
		Thule T2 Pro XT/XTR - 4 Bike	4	39	156	93	250
		Thule T2 Classic - 2 Bike	2	60	120	50	170
		Thule T2 Classic - 4 Bike	4	40	160	89.5	250
		Thule Range - 4 Bike	4	37.5	150	42	192

Dimensions

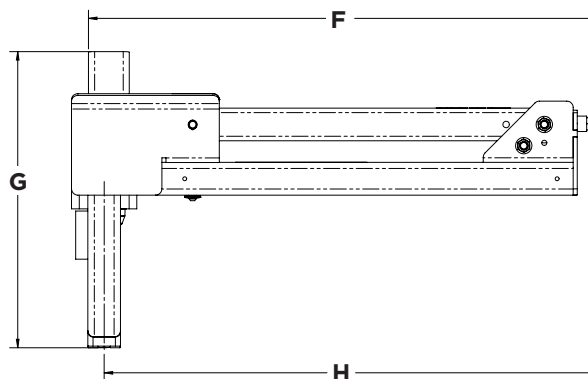
Deployed Top View



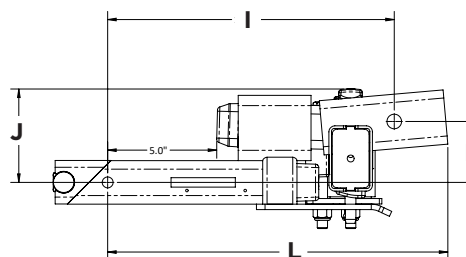
Front View



Top View



Side View



MODEL	A	B	C	D	E	F	G	H	I	J	K	L
9037	40.1"	40.4"	29"	6.4"	32.4"	31.3"	18.1"	30.4"	13.2"	4.3"	2.8"	15.6"