

classico™

GARLAND MAKER

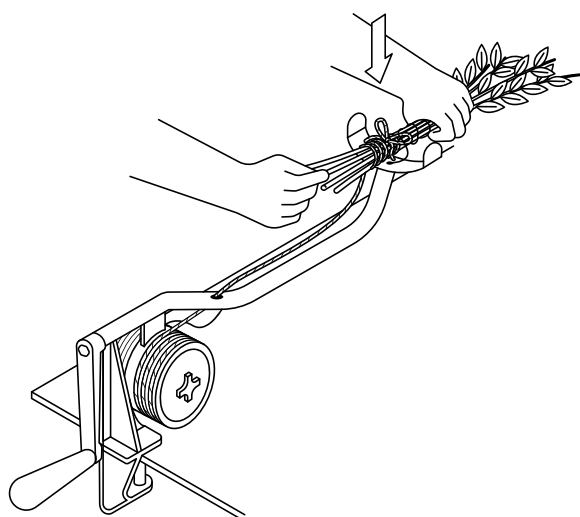
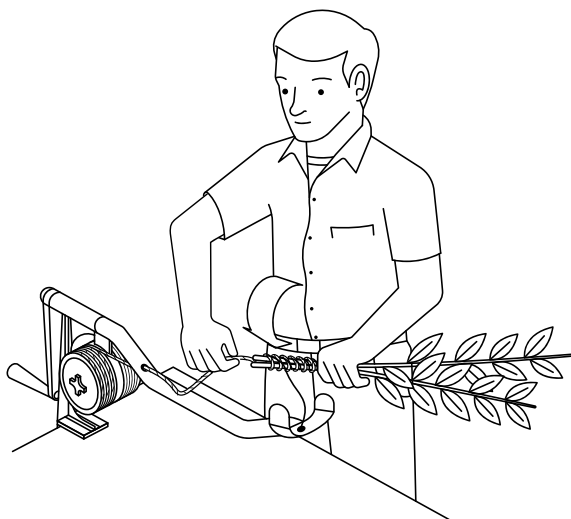
INSTRUCTIONS

Your Classico Garland Making System includes:

- Classico Garland Maker
- 1 spool of lead cord (300 Feet-100 Yards)
- 1 spool of wrapping wire (687 Feet-229 Yards)
- 10 Felt washers
- Lifetime manufacturer warranty*

Before you get started:

We begin by fastening the Classico Garland Maker to the table or workspace you will be using. Make sure to turn the screw of the cinch to secure it firmly in place. Have your foliage prepared and close at hand.



1

Take a length of cord and tie around foliage, then wrap both with a short length of wire.

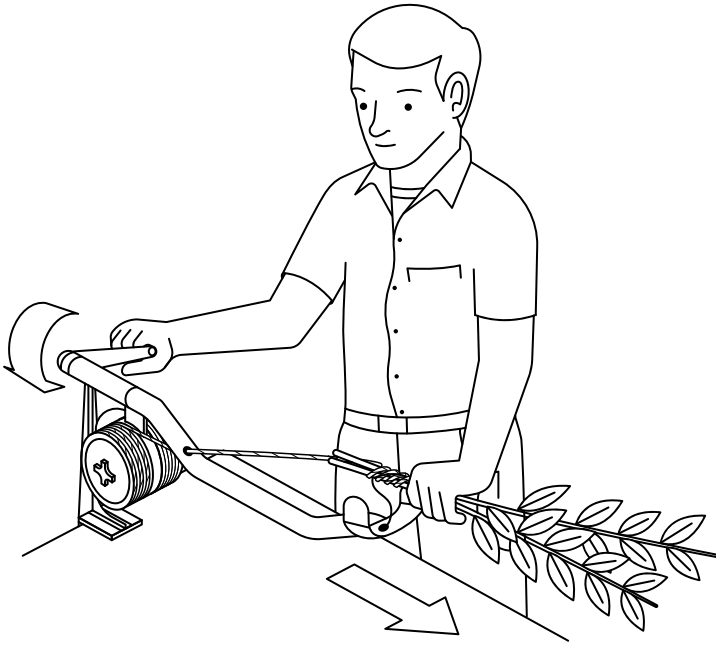
Place foliage on top of the cradle with the greens facing up. Lay it in and then take up any slack in the cord or wire by turning the spool.

Important: Always remember to hand turn spools to add slight tension to cord and wire.

2

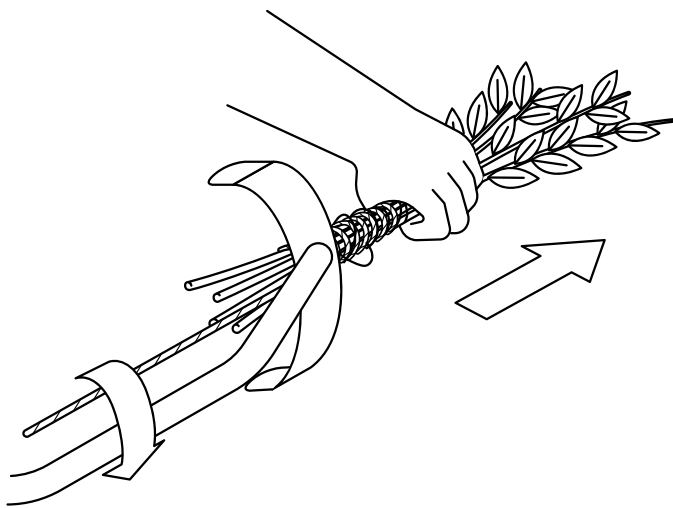
Wrap the bunch 3 to 4 times.

You don't have to pull the garland, just gently guide the greens with your hands.



3

Each time you add another handful of foliage, make sure you cover the mechanics and that you allow an overlap of several inches at the stem ends.



4

When you finish a length of garland, simply wrap the stem end several times in the same spot.

Don't pull the garland out by hand until you finish wrapping.

Cut the wire and cord and tie around.

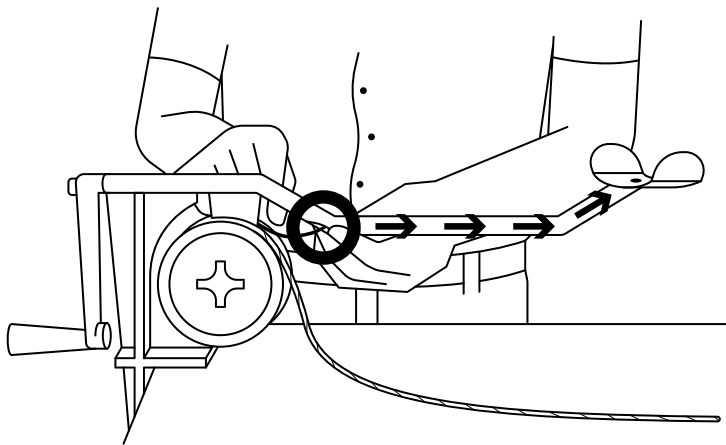
It's as simple as that!

Make sure to watch our video tutorial at www.classicogarlandmaker.com

To rethread Classico:

Replacing cord or wire on the Classico is easy to do:

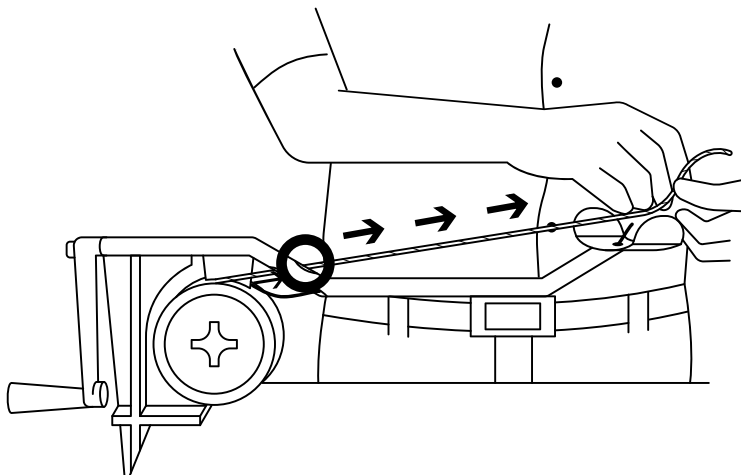
First, take out the screw from the spool you need to replace by turning until it comes out completely and then remove the empty spool.



To thread the wire spool:

Take the end of the wire and pull it through the opening at the bottom of the arm and **push it through until you can pull the end of the wire at the opening at the cradle.** Wrap it around the cradle to secure it in place.

Replace screw and tighten.



To thread the cord spool:

Take the end of the cord from the spool and **feed it through the opening on top of the arm.** Pull it through until you can tie it around the cradle.

Replace screw and tighten.

Para instrucciones en Español:

Descargue un archivo digital PDF de éste manual en Español
www.classicogarlandmaker.com/service/how-classico-works/

Customer Support / About Us

Classico Manufacturing is a company with over 50 years of experience in the industry. We are based in Pasadena, California and all manufacturing is done in the United States. Each Classico Garland Making System is built to last and guaranteed for life. If you have question, comments or suggestions about your Classico Garland Maker, please contact us.

Phone: (877) 688-6889
E-mail: classicogarlandmaker@gmail.com
Visit us at: Classico Manufacturing
655 East Green Street, Pasadena CA 91101
Call for hours

Check out our video tutorial on our website.
To order replacement wire, cord or parts, visit our Shop page.
www.classicogarlandmaker.com