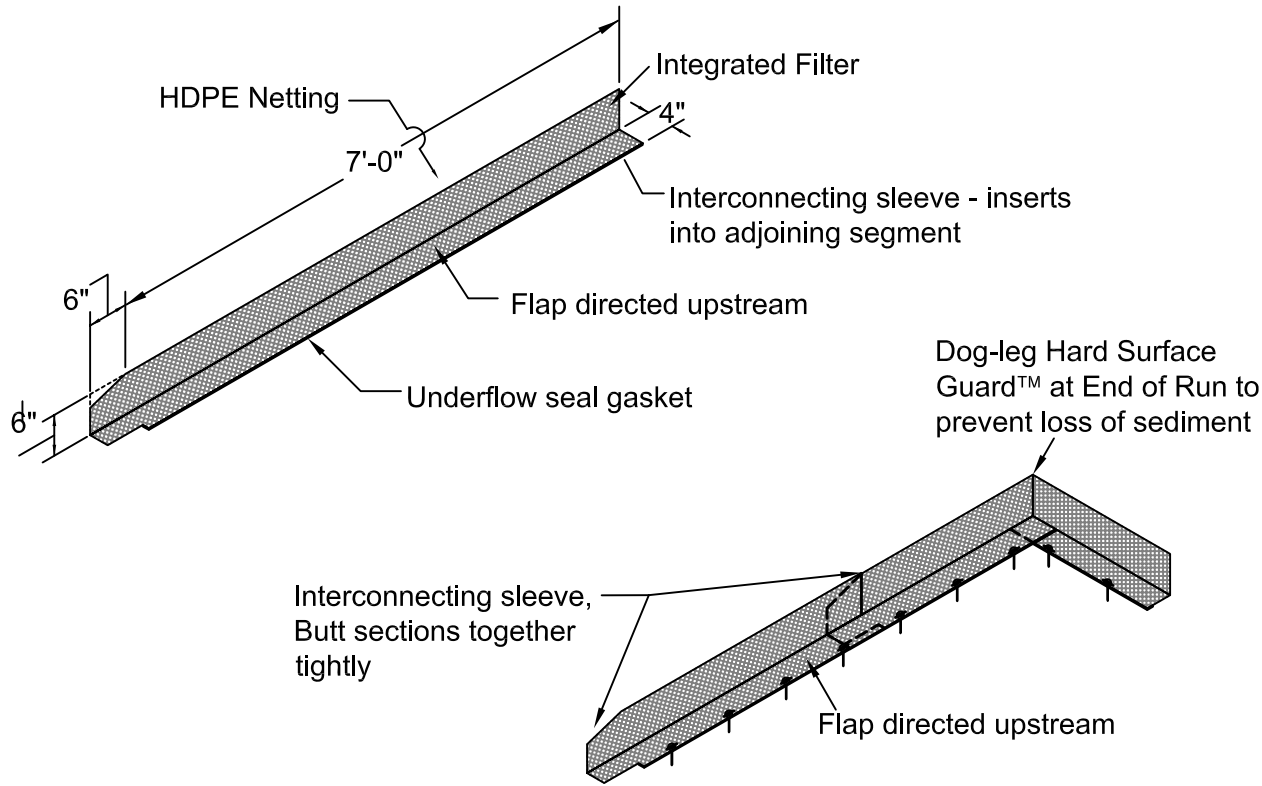
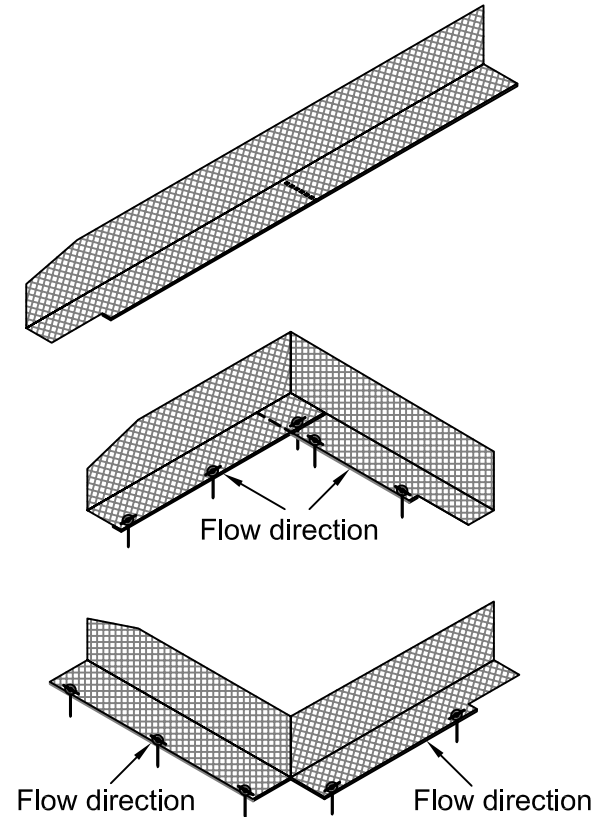


ERTEC® Hard Surface Guard™ Details

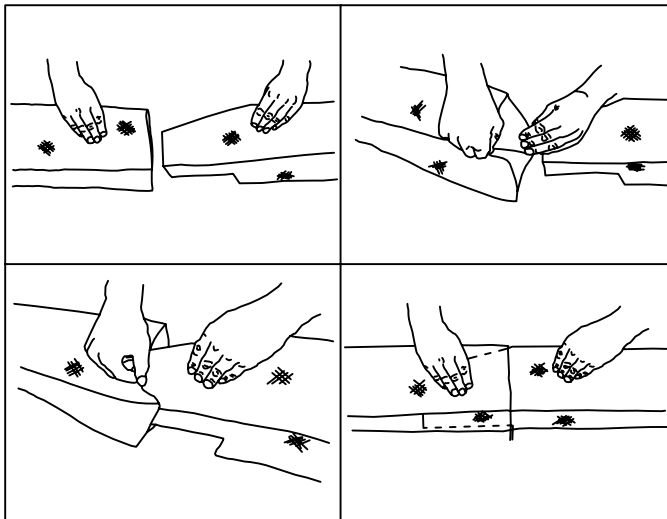


Note:

1. To bend Hard Surface Guard™ around obstacles, first slit flap and gasket through to the horizontal crease - with sharp knife or shears.
2. Then bend to desired angle, in either direction, as shown.



Hard Surface Guard Joint Connection



The end of one Hard Surface Guard is inserted into the adjoining Hard Surface Guard section. Then butt the two Hard Surface Guard segments together firmly.

Note:

1. If bend is in this direction, locate gravel bag at the angle to prevent underflow

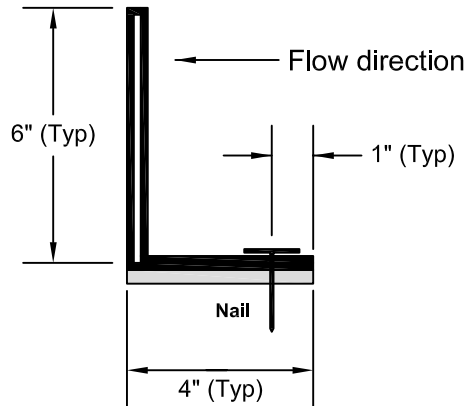
** NOT TO SCALE **		U.S. and International Patents Apply © 2009 ERTEC Environmental Systems	
ERTEC Environmental Systems http://www.ertecsystems.com/			File Name: ERTEC - Installation Details - Hard Surface Guard.dwg
1150 Ballena Blvd. Suite 250 Alameda, CA 94501	P. 866-521-0724 F. 510-521-3972		Layout Name: P1 Details
		Default Print Size: 8.5" x 11"	Page: 1 of 2

ERTEC® Hard Surface Guard™

Details

1. Asphalt Installation

Masonry Nails

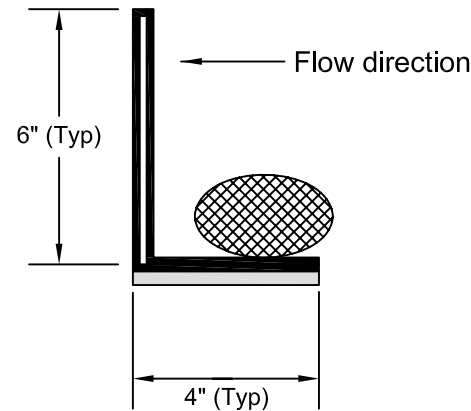


Notes:

1. Install nails flush with netting so that gasket is in good contact with surface.
2. Install 4 to 5 nails per each seven foot segment. Use HILTI X-ZF 1½" fasteners with 23mm pre-mounted steel washer (X-ZF 32 P8 S23) or equivalent with automatic powder-actuated hand tool. If necessary use wedge-type expansion anchor.

3. Asphalt or Concrete Installation

Gravel Bags, Snake Bags

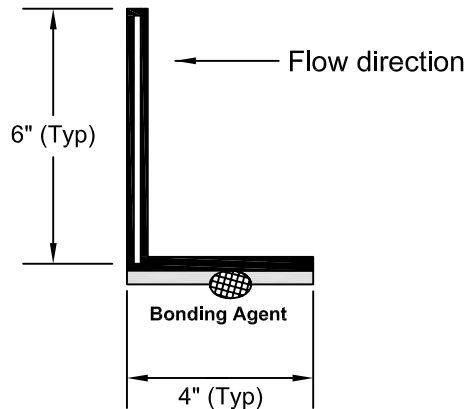


Notes:

1. Install anchor flap facing upstream. Place small snake bags or equivalent (gravel bags) containing clean, pea-sized graded gravel every 2.5 feet. Additional bags can be placed on the flap as necessary to assure good gasket to surface contact.

2. Asphalt or Concrete

Bonding Agent

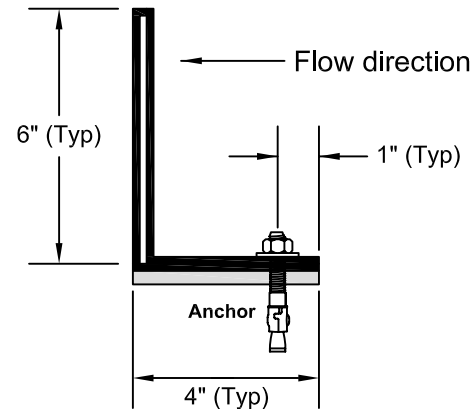


Notes:

1. Install bonding agent between gasket and surface. Use PaverBond, Liquid Nails, or other equivalent. Anchor with gravel bags or other weights until set.

4. Alternative Concrete Installation

Concrete Anchors



Notes:

1. Install anchors flush with netting so that gasket is in good contact with surface.
2. Install 4 to 5 anchors per each seven foot segment. Use wedge-type expansion anchor ¼" x 2 ¼".

Maintenance: Perform maintenance as required. Inspect following rainfall events and at least daily during prolonged rainfall. Maintain to provide an adequate sediment holding capacity. Debris shall be removed daily and sediment shall be removed when the sediment accumulation reaches 50% of the barrier height. Removed sediment shall be incorporated in the project at designated locations.

Important: All information, including illustrations, is believed to be reliable. Users, however, should independently evaluate the suitability of each project for their application. ERTEC Environmental Systems makes no warranties as to the accuracy of completeness of the information, and disclaims any liability regarding its use. ERTEC Environmental System's only obligations are those in the ERTEC Environmental Systems Standard Terms and Conditions of Sale for this product, and in no case will ERTEC Environmental Systems or its distributors be liable for any incidental indirect or consequential damages arising from the sale, resale, use or misuse of the product. Specifications are subject to change without notice. In addition, ERTEC Environmental Systems reserves the right to make changes, without notification to Buyer, to processing or materials that do not affect compliance with any applicable specification.

** NOT TO SCALE **		U.S. and International Patents Apply © 2009 ERTEC Environmental Systems	
ERTEC Environmental Systems http://www.ertecsystems.com/			File Name: ERTEC - Installation Details - Hard Surface Guard.dwg
1150 Ballena Blvd. Suite 250 Alameda, CA 94501	P. 866-521-0724 F. 510-521-3972		Layout Name: P2 Anchor Details
		Default Print Size: 8.5" x 11"	Page: 2 of 2