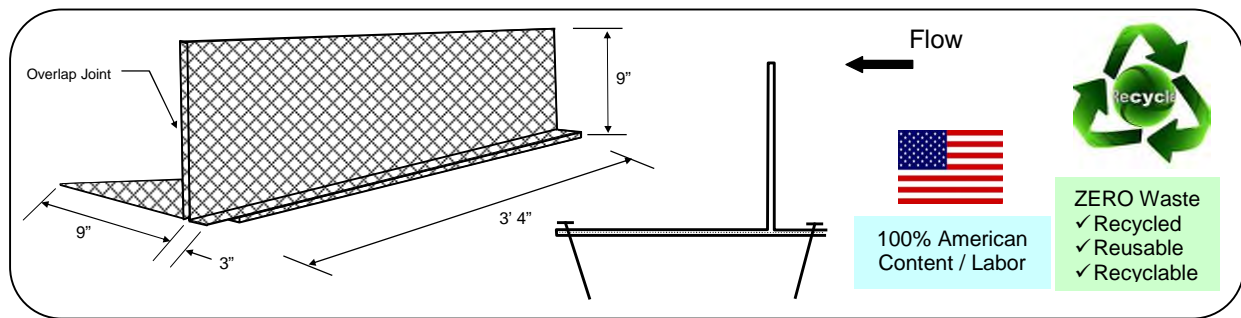




Ditch Guard is a patented high performing and low cost approach to protect roadside ditches, swales, and channels from erosion and sediment loss. Unlike other solutions, Ditch Guard tends to spread concentrated flow and reduce flow velocities rather than concentrate flow. Installation is fast and Ditch Guard is quickly and easily removed and reused.

Because it has an integrated downstream scour pad, blankets are not required on shallow grades. It is flexible in both the horizontal and vertical planes. Ditch Guard is an important part of a comprehensive Best Management Practice system for soil stabilization. Ditch Guard is highly sustainable, made from recycled and recyclable HDPE.



### Product Characteristics

Unit length (ft) / Usable length	3'4" / 3'0"	Reusable	YES
Unit weight (lbs) 5" / 9"	2.0 / 2.25	Jacket Tensile Yield ASTM D-638 (lb/in <sup>2</sup> )	1800 - 2800
Functional life (minimum)(years)	4	Ultimate Tensile Strength: ASTM D-638 (lb/in <sup>2</sup> )	2000 - 2800
Installed freeboard height (inches)	5" / 9"	Service temperature (deg F)	-30 to 160
Recycled Material Content (minimum)	95%	Ultraviolet Stability: ASTM D 4355 (%)	90
Recyclable	YES		



### Product Benefits –

- Cut project costs 50%
- Fast Installation / Blankets not required
- Long life, UV stable
- Lightweight, Easy to transport
- Made from recycled content
- Segments overlap to fit any length

Product Designation	Dimensions
DiG 5"	5" high x 3'4" long (3 feet usable length)
DiG 9"	9" high x 3'4" long (3 feet usable length)

### Design and Installation

For proper design and installation refer to the Installation and Maintenance guide.