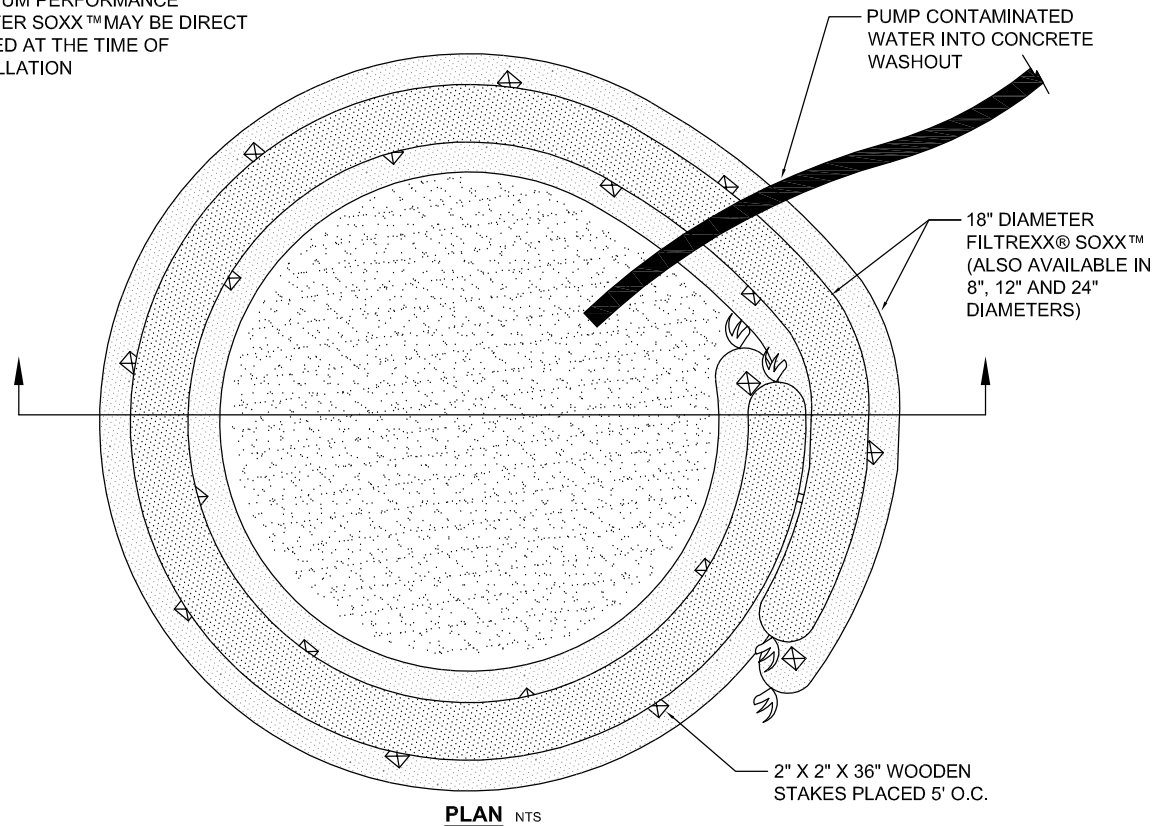


NOTES:

1. INSTALL ON FLAT GRADE FOR OPTIMUM PERFORMANCE
2. FILTER SOXX™ MAY BE DIRECT SEEDED AT THE TIME OF INSTALLATION



FILTREXX® CONCRETE WASHOUT

NTS