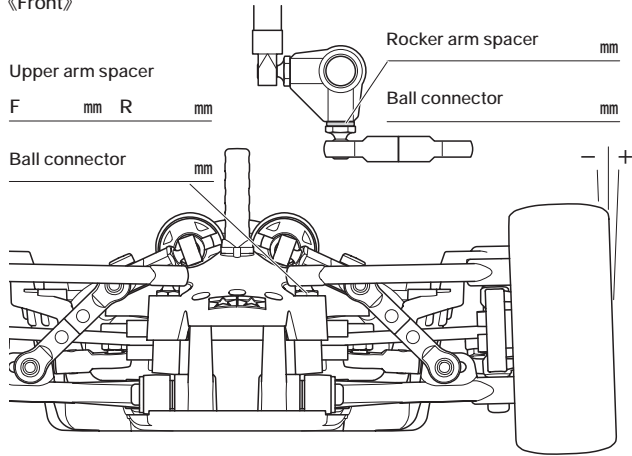


TC-01 CHASSIS

SETTING SHEET
Ver 1.00TA

Name	Date	Air temp.	Humidity	Track temp.
Track	Track condition	Best lap		

《Front》



Front drive

Differential gear oil #

Camber angle °

Ground clearance mm

Rebound stroke mm

Stabilizer H M S

Wheel hub + spacer mm



Damper type

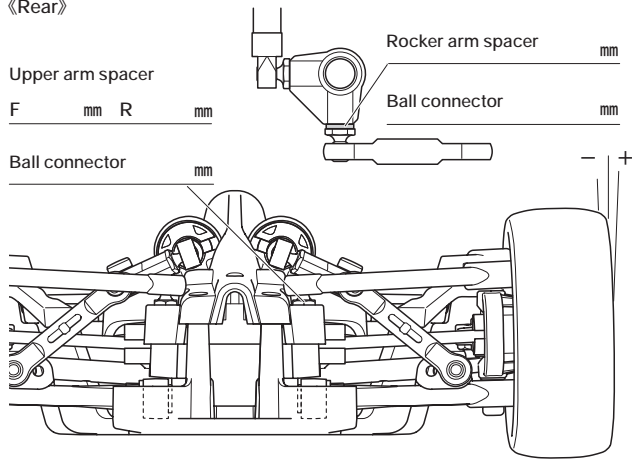
Piston hole(s) piece(s)

Oil #

Spring

Retainer

《Rear》



Rear drive

Differential gear oil #

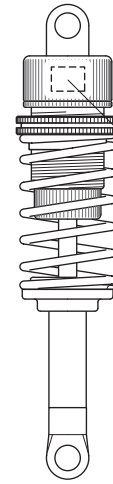
Camber angle °

Ground clearance mm

Rebound stroke mm

Stabilizer H M S

Wheel hub + spacer mm



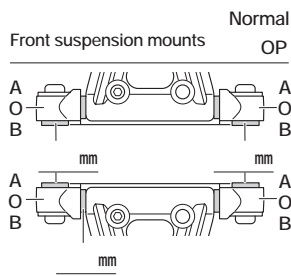
Damper type

Piston hole(s) piece(s)

Oil #

Spring

Retainer

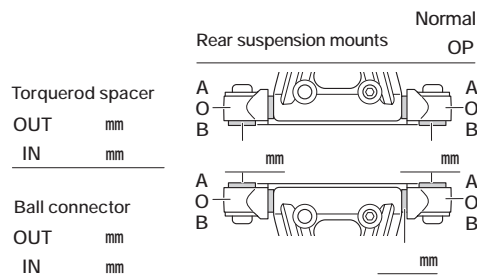


Upright spacer mm

Ball connector mm

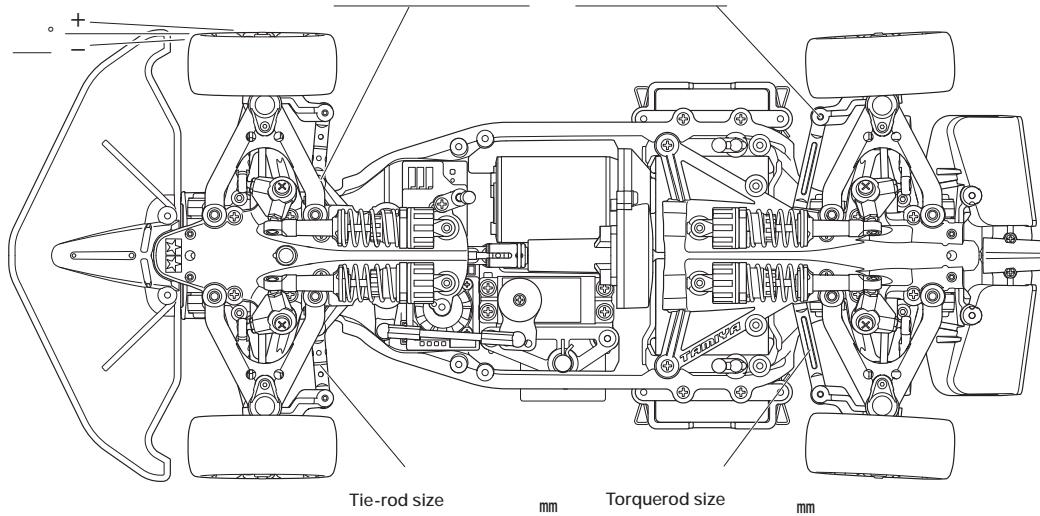
Steering spacer mm

Ball connector mm



Torquerod spacer
OUT mm
IN mm

Ball connector
OUT mm
IN mm



Motor

Spur gear T

Pinion gear T

Battery

Body

Wing

Tire

Wheel Offset mm

Tire insert

Memo