



Pull-out kitchen faucet Pull-out kitchen faucet (FRENCH)

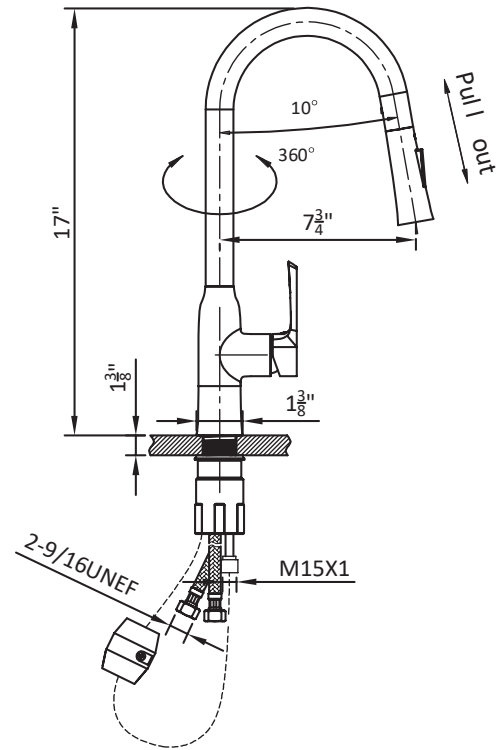
Instruction Manual
Manuel D'Instruction



FOR MODEL / POUR MODÈLE : **8604-01-10/8604-01-11/8604-01-14/8604-01-16**

Pull-out kitchen faucet

8604-01-10/8604-01-11/8604-01-14/8604-01-16



Installation Drawing

Installation Instruction:

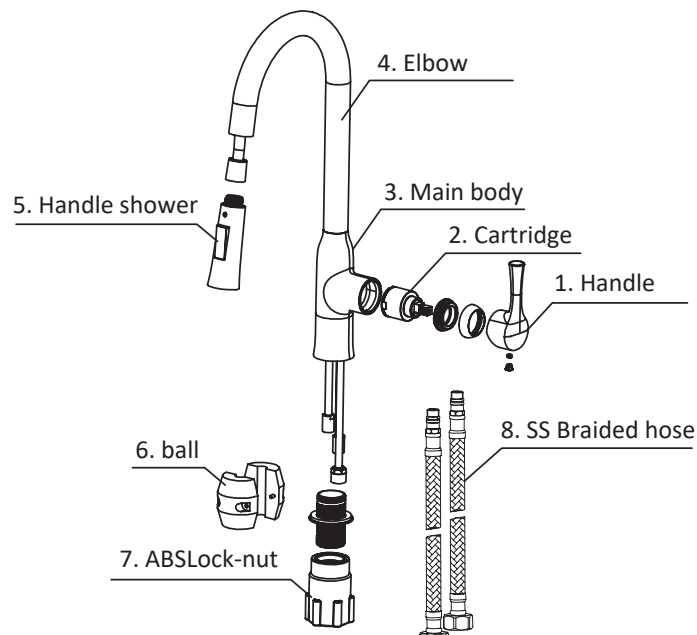
1. Supply lines should be purged to clean impurities before connecting the unit. (hot water on left, cold water on right).
2. Hole size for deck mounted: $\varnothing 32\text{-}\varnothing 35(\text{mm})$.
3. Twist off the ABS lock-nut (1) and washers.
4. Put the braided hoses from bottom of the table hole. Connect the red braided hose to hot water inlet and the blue one to cold water inlet.
5. Install the lock-screw to the basin mixer and put it into the mounted hole. Then put the washers to the lock-screw from the bottom.
6. Tighten with the ABS lock-nut.
7. Connect the braided hoses to the cold and hot angle valve correctly .
8. Flexible hose on outlet interface and on the ball.

Application:

1. Turn the handle left and right, left for hot water, and right for cold water.

Cleaning and maintenance:

1. Use soap and water to remove lime stains from chrome surface. Don't use acidic detergents, scouring pads or steel wool; otherwise the chrome parts will be damaged.
2. Use soap and water to clean installation accessories, such as plastic or rubber components. Don't use acidic detergents, scouring pads, alcohol cleaners or steel wool.



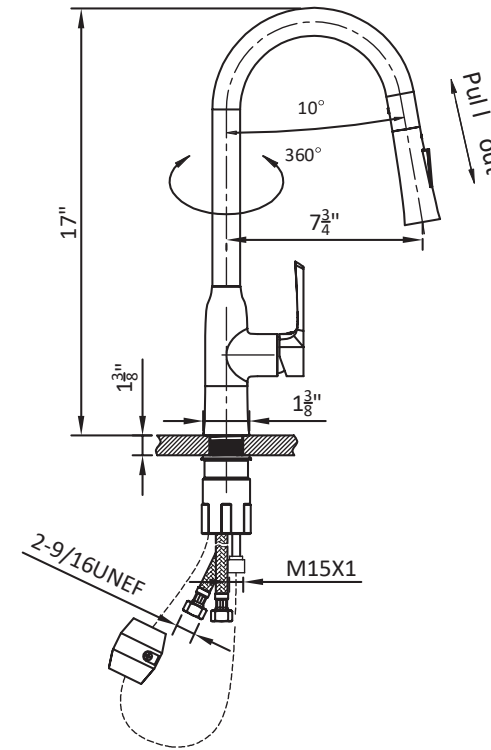
Product accessories

Warranty:

Jade Bath warrants its faucets to be leak and drip free during normal residential use for 1 year from original date of purchase. If the faucet should leak or drip during normal use, kindly contact our support team. Damages caused by accident, misuse or abuse will void this warranty. Under this warranty, you (the customer), are entitled to replacement parts at no cost to repair and restore functionality if any part of the product were to fail. NO labor is provided. Proof of purchase (original purchasing receipt) must be provided to Jade Bath in order to claim for warranty.

Pull-out kitchen faucet (FRENCH)

8604-01-10/8604-01-11/8604-01-14/8604-01-16



Installation Drawing

Installation Instruction:

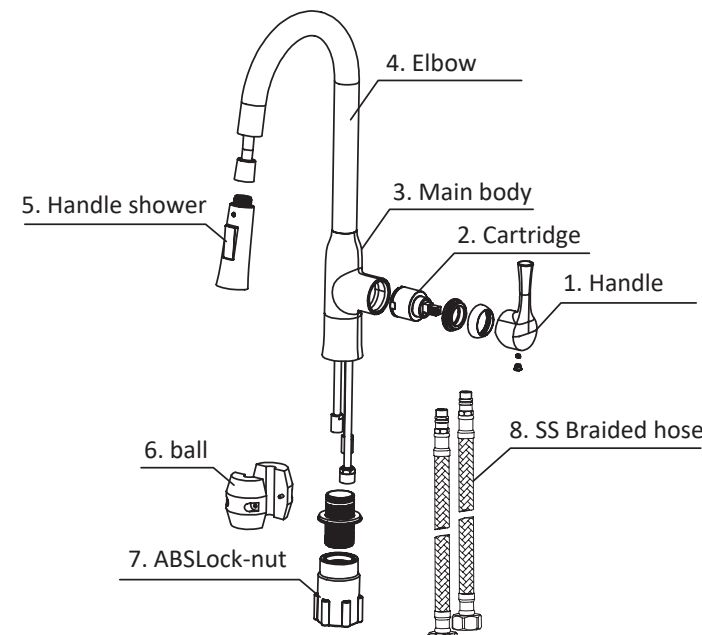
1. Supply lines should be purged to clean impurities before connecting the unit. (hot water on left, cold water on right).
2. Hole size for deck mounted: $\varnothing 32\text{-}\varnothing 35(\text{mm})$.
3. Twist off the ABS lock-nut (1) and washers.
4. Put the braided hoses from bottom of the table hole. Connect the red braided hose to hot water inlet and the blue one to cold water inlet.
5. Install the lock-screw to the basin mixer and put it into the mounted hole. Then put the washers to the lock-screw from the bottom.
6. Tighten with the ABS lock-nut.
7. Connect the braided hoses to the cold and hot angle valve correctly .
8. Flexible hose on outlet interface and on the ball.

Application:

1. Turn the handle left and right, left for hot water, and right for cold water.

Cleaning and maintenance:

1. Use soap and water to remove lime stains from chrome surface. Don't use acidic detergents, scouring pads or steel wool; otherwise the chrome parts will be damaged.
2. Use soap and water to clean installation accessories, such as plastic or rubber components. Don't use acidic detergents, scouring pads, alcohol cleaners or steel wool.



Product accessories

Warranty:

Jade Bath warrants its faucets to be leak and drip free during normal residential use for 1 year from original date of purchase. If the faucet should leak or drip during normal use, kindly contact our support team. Damages caused by accident, misuse or abuse will void this warranty. Under this warranty, you (the customer), are entitled to replacement parts at no cost to repair and restore functionality if any part of the product were to fail. NO labor is provided. Proof of purchase (original purchasing receipt) must be provided to Jade Bath in order to claim for warranty.



DO NOT RETURN THIS PRODUCT TO THE STORE
NE PAS RETOURNER CE PRODUIT AU MAGASIN

Please contact Jade before returning any product. If you are missing parts or experiencing problems with your installation, our Customer Service Department will be happy to assist you.

S'il vous plaît contactez Jade avant de retourner tout produit. Si vous manquez des pièces ou avez des problèmes avec votre installation, notre Service à la Clientèle sera heureux de vous aider.

Jade Customer Service.
Service à la Clientèle.

Tel: **1-866-333-0555**

Jade Bathrooms Products Inc. 11111 rue Colbert, Anjou Québec, Canada, H1J 2S1 www.jadebath.com



Jade
11 900, J.J. Joubert,
Montreal, Canada H1E 7J4
Tel: (514) 832 0555
Fax: (514) 832 0554
www.jadebath.com