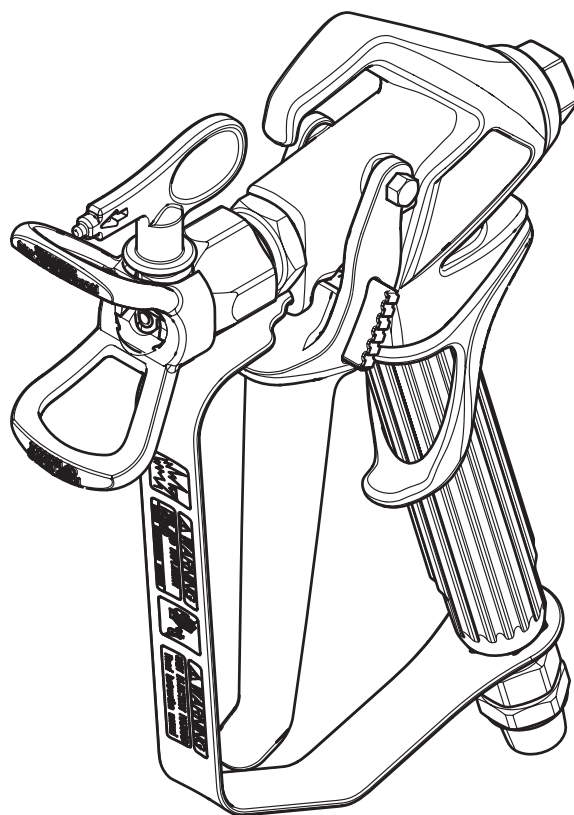


Owner's Manual • Betriebsanleitung  
Mode d'emploi • Instrucciones de uso  
Istruzione per l'uso • Manual de proprietário  
Gebruiksaanwijzing • Driftsvejledning  
Bruksanvisning

# RX-80

## Airless Spray Gun



English ..... p. 2  
Deutsch..... p. 10  
Français ..... p. 18  
Español ..... p. 26  
Italiano ..... p. 34

Português..... p. 42  
Nederlands..... b. 50  
Dansk.....s. 58  
Svenska .....s. 66

## Safety Precautions



**Be safety-conscious! All local and national regulations governing ventilation, fire prevention, and operation must be observed.**



### **HAZARD: Injection injury**

**A high pressure stream produced by this equipment can pierce the skin and underlying tissues, leading to serious injury and possible amputation. See a physician immediately.**

**DO NOT TREAT AN INJECTION INJURY AS A SIMPLE CUT! Injection can lead to amputation. See a physician immediately. Inform the physician of the type of coating material or cleaning agent with which the injury was caused.**

**The maximum operating range of the spray gun is 25 MPa / 3600 PSI fluid pressure.**

- NEVER aim the gun at any part of the body.
- NEVER allow any part of the body to touch the fluid stream. DO NOT allow body to touch a leak in the fluid hose.
- NEVER put hand in front of the gun. Gloves will not provide protection against an injection injury.
- Never point the spray gun at anyone else.
- ALWAYS lock the gun trigger, shut the pump off, and release all pressure before servicing, cleaning the tip or guard, changing tip, or leaving unattended. Pressure will not be released by turning off the motor. The PRIME/SPRAY valve must be turned to PRIME to relieve the pressure. Refer to the Pressure Relief Pressure described in the pump manual.
- ALWAYS keep the tip guard in place while spraying. The tip guard provides some protection but is mainly a warning device.
- ALWAYS remove the spray tip before flushing or cleaning the system.
- The paint hose can develop leaks from wear, kinking and abuse. A leak can inject material into the skin. Inspect the hose before each use.
- NEVER use a spray gun without a trigger lock and trigger guard in place and in good working order.
- All accessories must be rated at or above the maximum operating pressure range of the airless sprayer. This includes spray tips, extensions, and hose.



**HAZARD: Explosion hazard due to incompatible materials  
Will cause severe injury or property damage.**

- Do not use materials containing bleach or chlorine.
- Do not use halogenated hydrocarbon solvents such as bleach, mildewcide, methylene chloride and 1,1,1 - trichloroethane. They are not compatible with aluminum.
- Contact your coating material supplier about the compatibility of material with aluminum.



### **HAZARD: General**

**This product can cause severe injury or property damage.**

- Read all instructions and safety precautions before operating equipment.
- Never spray near sources of ignition; e.g. open flames, cigarettes — also cigars and pipes are sources of ignition —, sparks, hot wires and hot surfaces, etc.
- Wear respiratory equipment when spraying. The operator must be provided with a protective mask.

In order to prevent work related illness, the manufacturer's regulations for the materials, solvents, and cleaning agents used must be observed when preparing, working with and cleaning the unit. Protective clothing, gloves, eyewear, and, in certain cases, protective skin

cream are necessary to protect the skin.

- Follow the coating material and solvent manufacturer’s warnings and instructions.
- Extraction equipment should be installed by the user in accordance with local regulations.
- The objects being sprayed must be earthed.
- Before each use, check all hoses for cuts, leaks, abrasion or bulging of cover. Check for damage or movement of couplings. Immediately replace the hose if any of these conditions exist. Never repair a paint hose. Replace it with another grounded high-pressure hose.
- Pulling the trigger causes a recoil force to the hand that is holding the spray gun.  
The recoil force of the spray gun is particularly powerful when the tip has been removed and a high pressure has been set on the airless high-pressure pump. Therefore, when cleaning without tip set the pressure control valve to the lowest pressure.
- Use only manufacturer authorized parts. User assumes all risks and liabilities when using parts that do not meet the minimum specifications and safety devices of the spray gun manufacturer.



## EXPLOSION PROTECTION IDENTIFICATION

### X marking:

**The spray gun corresponds with Ex II 2G IIC c T6 X and is, in accordance with Directive 2014/34/EU, suitable for use in explosion-hazardous areas—as of type Zone 1. Under certain circumstances, the unit itself may cause the Zone 1 condition to be in effect.**

**Any static-electricity discharge from the spray gun is to be diverted to the grounded high-pressure pump via the conductive high-pressure hose as stipulated.**

**The maximum surface temperature corresponds to the permissible material temperature. This and the permissible ambient temperature can be found in the Technical Data.**

To avoid the generation of machine sparks, prevent impact stresses and any work on the unit with tools in the explosion-hazardous area.

## Residual risks

Residual risks are risks, which cannot be excluded, even when equipment is used for the intended purpose.

In such cases the applicable areas of the actual residual risks will be pointed out using warning and/or prohibition signs.

Risk	Source / Cause	Impact	Preventative measures	Can occur during:
Injection injury	Atomized, high pressure stream of fluid	Severe injury or amputation	NEVER aim the gun at any part of the body	Setup, Operation
Explosion or fire	Static electricity or sparks	Severe injury	Use well ventilated area Ground the spray gun	Operation
Hazardous vapors	Hazardous vapors from spray material	Severe injury	Use well ventilated area Use mask	Operation

# Technical Data

<b>Max. operating pressure</b>	25 MPa (3600 PSI)
<b>Material inlet thread size</b>	NPSM 1/4" (M16 x 1.5)
<b>Diffuser thread size</b>	7/8 - 14 UN-2A
<b>Wetted parts material</b>	High-grade steel, aluminum, PTFE, hard metal
<b>Operating temperature range</b>	40°F to 104°F (5°C to 40°C)
<b>Maximum material temperature</b>	109°F (43°C)
<b>Maximum sound output</b>	81 dB(A)*
<b>Weight</b>	599 g (1.3 lb.)

\* Measurement location: 0.5 m away from the coating surface, 0.5 m behind the spray gun, spray pressure 12 MPa, tip size 0.021

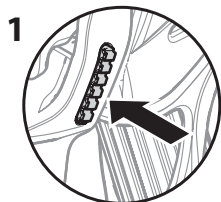
## Introduction

This airless spray gun is to be used for the high pressure atomization of liquid coating materials.

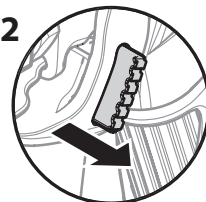
## Using the Gun Trigger Lock

Always engage the gun's trigger lock when the gun is not in use.

1. To lock the trigger, push in the trigger lock from **left to right**, when looking at the rear of the gun.
2. To unlock the trigger, push the trigger lock from **right to left**, when looking at the rear of the gun.



1 Gun locked  
(gun will not spray)



2 Gun unlocked  
(gun will spray)



**NEVER point the spray gun at yourself.**

## Setup

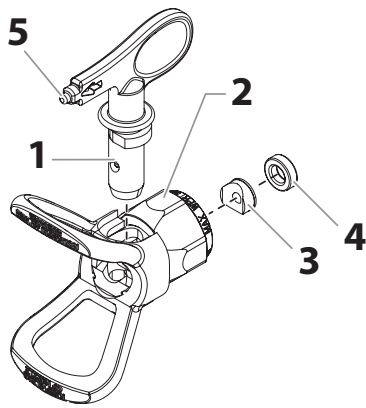


**Never attempt to assemble, change, or clean the gun, tip, or tip guard without first relieving pressure from the spray system. Follow the "Pressure Relief Procedure" in the sprayer's Owner's Manual.**



**Always use a tip safety guard for added protection against injection. Beware that the guard alone will not prevent injection. Never cut off tip guard! Always engage gun trigger lock when the gun is not in use. Before servicing equipment, consult Owner's Manuals and follow all warnings.**

1. Set up the sprayer. Refer to the instructions in the sprayer's Owner's Manual.
2. Attach a grounded, airless spray hose to the material inlet on the gun. Using two wrenches (one on the gun and one on the hose), tighten securely.
3. With the tip and tip guard off the gun, start the sprayer. Flush and prepare the spray system according to the sprayer's Owner's Manual. Inspect the spray system to make sure that all fittings are secure and that there are no leaks.
4. Perform the "Pressure Relief Procedure" described in the sprayer's Owner's Manual.
5. Using a the end of the spray tip (5), insert the tip seal (3) and seal (4) into the back of the tip guard (2). Press in for final adjustment.
6. Insert the tip (1) into the slot on the tip guard.



7. Thread the tip guard onto the gun. Position the tip guard in the desired spraying position, then tighten securely.

**i** **The arrow on the tip handle should be pointing in the forward direction for spraying.**

## Operation

1. Make sure the arrow on the tip handle is pointing in the forward direction for spraying.
2. Start the sprayer. Refer to the instructions in the sprayer's Owner's Manual.
3. Adjust the fluid pressure on the sprayer until the spray is completely atomized. Always spray at the lowest pressure necessary to get the desired results.

**i** **The spray tip determines the size of spray pattern and coverage. When more coverage is needed, use a larger tip instead of increasing fluid pressure.**

4. To clear a clogged tip:
  - a. Rotate the tip 180° so that the arrow on the tip handle is pointing opposite the spray direction.
  - b. Trigger the gun once so that the pressure can blow the clog out.



Attention

**Never pull the trigger more than once with the tip in the reverse position.**

- c. Continue this procedure until the tip is clear of the clog.

## Changing a Tip

Tips can be removed and replaced easily without disassembling the gun.

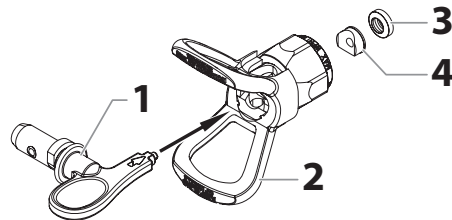


**Never attempt to change or clean the tip or tip guard without first performing the "Pressure Relief Procedure."**

1. Perform the "Pressure Relief Procedure" described in the sprayer's Owner's Manual.
2. Remove the tip from the slot on the tip guard.
3. Insert the new tip into the slot on the tip guard. The arrow on the tip handle should be pointing in the forward direction for spraying.

## Removing the Seal and Tip seal

1. Remove the tip (1) from the tip guard (2).
2. Insert the tip handle through the front of the tip guard.
3. Push the tip seal (3) and tip seal retainer (4) out through the back of the tip guard.



## Identifying Tip Sizes

To identify tip sizes, use the following formula. A "517" tip size will be used in this example.

The first digit multiplied by two represents the size of the spray pattern when spraying 12" away from the work surface:

$$5 \times 2 = 10" \text{ spray pattern}$$

The second two digits represent the diameter of the orifice on the tip:

$$17 = .017" \text{ orifice}$$



**Worn spray tips will adversely affect the spray pattern and result in reduced production, poor finish, and wasted material. Replace worn tips immediately.**

## Cleanup

Maintaining a clean gun is important to ensure trouble-free operation. Flush the gun after each use and store in a dry location. Do not leave the gun or any of its parts in water or solvents.



### Special cleanup instructions for use with flammable solvents:

- Always flush spray gun preferably outside and at least one hose length from spray pump.
- If collecting flushed solvents in a one gallon metal container, place it into an empty five gallon container, then flush solvents.
- Area must be free of flammable vapors.
- Follow all cleanup instructions.

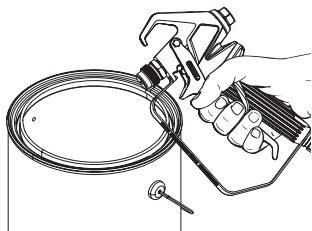


Attention

**The sprayer, hose, gun and gun filter should be cleaned thoroughly after daily use. Failure to do so permits material to cake, seriously affecting the performance of the unit.**



**Always spray at the lowest possible pressure when the tip and tip guard have been removed. To clean the airless gun, hose and spray device, use only water or a suitable solvent. Static electricity buildup may result in a fire or explosion in the presence of flammable vapors. Hold the gun firmly against a metal container while flushing.**



## Maintenance

Follow all safety precautions as described in the Safety Precautions section of this manual before proceeding.



**Refer to the Parts List section in this manual for part identification.**

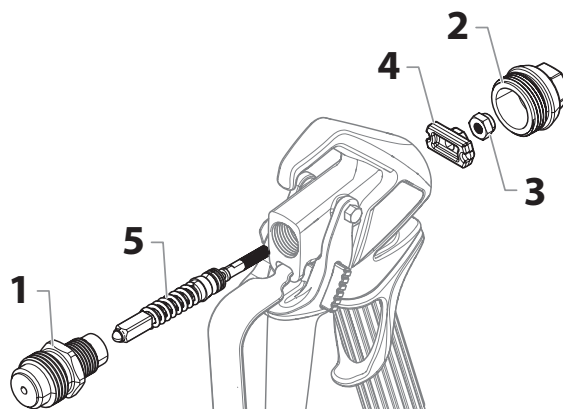
### Replacing/Serviceing the Seal Assembly

If your spray gun leaks or spits at the tip when you release the trigger, the needle is worn, damaged, or dirty and must be replaced or cleaned.



**Never attempt to perform maintenance on the spray gun without first performing the "Pressure Relief Procedure."**

1. Disconnect the fluid hose from the gun.
2. Remove the tip and tip guard.
3. With the trigger depressed, remove the diffuser (1) from the front of the gun.
4. Using an adjustable wrench, loosen and remove the rear housing (2).
5. Using a 3/8" ratchet, remove the lock nut (3) from inside the rear of the gun head. Remove the retractor plate (4).
6. Remove the seal assembly (5) from the front of the gun head by pushing or gently tapping at the back of the seal assembly.



7. Soak the removed parts in the appropriate solvent and wipe clean.
8. Inspect the parts for wear or damage and use new parts during reassembly of the gun, when necessary.



**Lubricate all packings and moving parts before reassembly with a lithium-based grease.**

9. Install the seal assembly into the front of



the gun head.

10. Replace the retractor plate (4) inside the rear of the gun head. Make sure the flats just above the threads on the seal assembly are horizontal so it slides through the hole in the retractor plate.
11. Using a 3/8" socket, tighten the lock nut onto the end of the seal assembly. Torque to 5 Nm (3.7 ft. - lbs.).
12. With the trigger depressed, install the diffuser into the front of the gun head and tighten securely with a wrench.
13. Replace the rear housing.

## Replacing/Removing the Filter



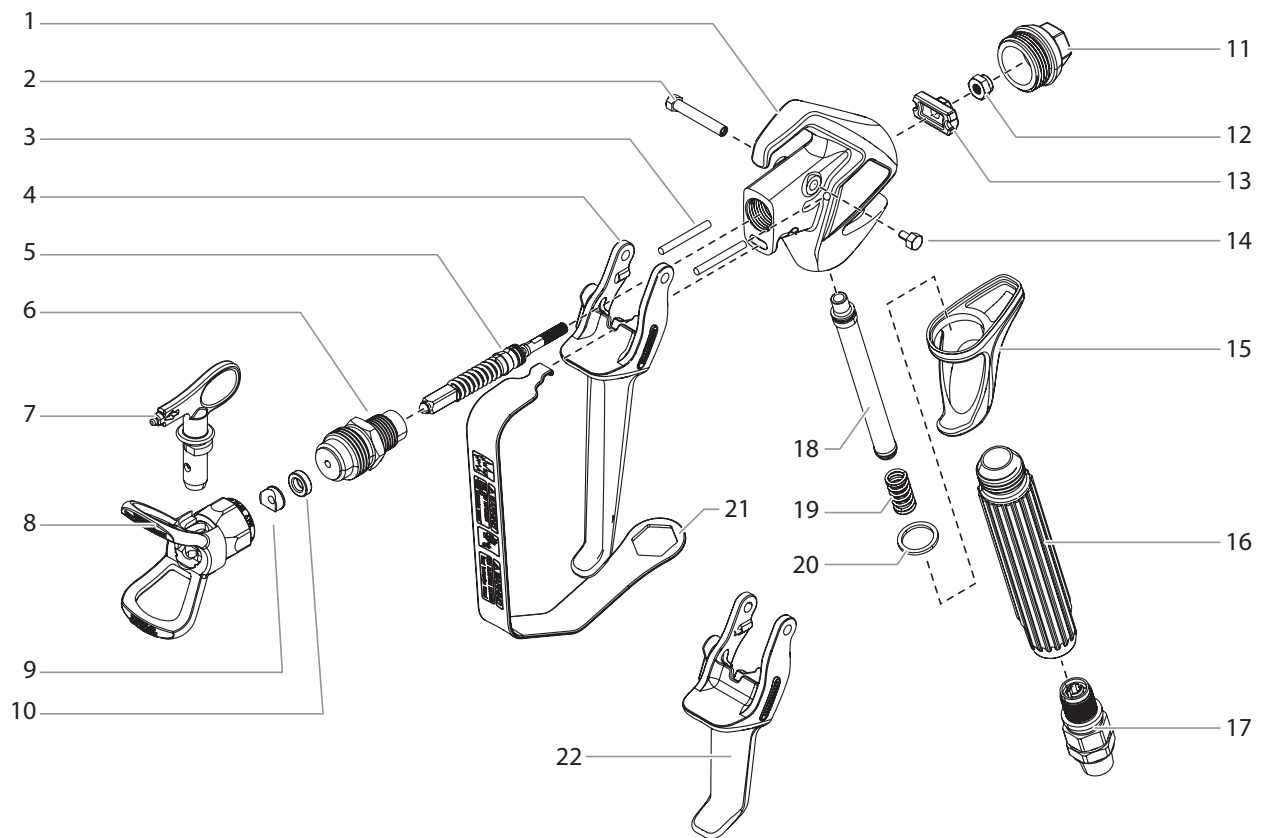
**The gun filter should be cleaned after every use.**

1. Unclip the top of the trigger guard from the gun head.
2. Using the bottom of the trigger guard as a wrench, loosen and remove the handle assembly from the gun head.
3. Pull the old filter out of the gun head. Clean or replace.
4. Slide the new filter, tapered end first, into the gun head.
5. Thread the handle assembly into the gun head. Tighten with the trigger wrench.
6. Snap the trigger guard back onto the gun head.

## Filter Chart

Part Number	Application	Filter Type	Filter Color
0089960	Synthetic resin, enamels, clean varnishes, stains, azures	Extra-fine	Red
0089959	Base coat enamels, primer enamels, fillers, marking paints, textured enamels	Fine	Yellow
0089958	Emulsions, latex paints, acrylic paints	Medium	White
0089957	Filler paints, large area surfaces	Coarse	Green

# Parts list



#	Part #	Description
1	-----	Gun head
2	0538306	Trigger screw, long
3	0538305	Retractor pin (2)
4	0538222	Trigger and lock assembly, 4-finger gun (includes item 2 and 14)
5	0538210	Seal assembly (includes item 12)
6	0538200	Diffuser, 7/8"
7	662-xxx	Tip assembly* (includes items 9-10)
8	0289228	Tip guard, 7/8"
9	0297007	Tip seal
10	651-020	Seal
11	0538308	Rear housing
12	226-001	Lock nut
13	0538312	Retractor plate
14	580-513	Trigger screw, short

#	Part #	Description
15	0538303	Collar assembly
16	0538302	Handle
17	0538205	Swivel
18	0089958	Filter, medium (2 pack)
19	0296343	Spring
20	9970123	Handle seal
21	0538307	Trigger guard
22	0538224	Trigger and lock assembly, 2-finger gun (includes item 2 and 14)
	0538215	Gun repair kit, 7/8" diffuser (includes items 5, 6, and 12)



## Warranty

Titan Tool, Inc., ("Titan") warrants that at the time of delivery to the original purchaser for use ("End User"), the equipment covered by this warranty is free from defects in material and workmanship. With the exception of any special, limited, or extended warranty published by Titan, Titan's obligation under this warranty is limited to replacing or repairing without charge those parts which, to Titan's reasonable satisfaction, are shown to be defective within twelve (12) months after sale to the End User. This warranty applies only when the unit is installed and operated in accordance with the recommendations and instructions of Titan.

This warranty does not apply in the case of damage or wear caused by abrasion, corrosion or misuse, negligence, accident, faulty installation, substitution of non-Titan component parts, or tampering with the unit in a manner to impair normal operation.

Defective parts are to be returned to an authorized Titan sales/service outlet. All transportation charges, including return to the factory, if necessary, are to be borne and prepaid by the End User. Repaired or replaced equipment will be returned to the End User transportation prepaid.

THERE IS NO OTHER EXPRESS WARRANTY. TITAN HEREBY DISCLAIMS ANY AND ALL IMPLIED WARRANTIES INCLUDING, BUT NOT LIMITED TO, THOSE OF MERCHANTABILITY AND FITNESS FOR A PARTICULAR PURPOSE, TO THE EXTENT PERMITTED BY LAW. THE DURATION OF ANY IMPLIED WARRANTIES WHICH CANNOT BE DISCLAIMED IS LIMITED TO THE TIME PERIOD SPECIFIED IN THE EXPRESS WARRANTY. IN NO CASE SHALL TITAN LIABILITY EXCEED THE AMOUNT OF THE PURCHASE PRICE. LIABILITY FOR CONSEQUENTIAL, INCIDENTAL OR SPECIAL DAMAGES UNDER ANY AND ALL WARRANTIES IS EXCLUDED TO THE EXTENT PERMITTED BY LAW.

TITAN MAKES NO WARRANTY AND DISCLAIMS ALL IMPLIED WARRANTIES OF MERCHANTABILITY AND FITNESS FOR A PARTICULAR PURPOSE WITH RESPECT TO ACCESSORIES, EQUIPMENT, MATERIALS OR COMPONENTS SOLD BUT NOT MANUFACTURED BY TITAN. THOSE ITEMS SOLD, BUT NOT MANUFACTURED BY TITAN (SUCH AS GAS ENGINES, SWITCHES, HOSES, ETC.) ARE SUBJECT TO THE WARRANTY, IF ANY, OF THEIR MANUFACTURER. TITAN WILL PROVIDE THE PURCHASER WITH REASONABLE ASSISTANCE IN MAKING ANY CLAIM FOR BREACH OF THESE WARRANTIES.

Register your product online at [www.titantool.com](http://www.titantool.com)