

GB D F

Operating manual

Betriebsanleitung.....p. 22

Mode d'emploi.....p. 44



Advanced Performance. Total Reliability.

# PowerCoat Series

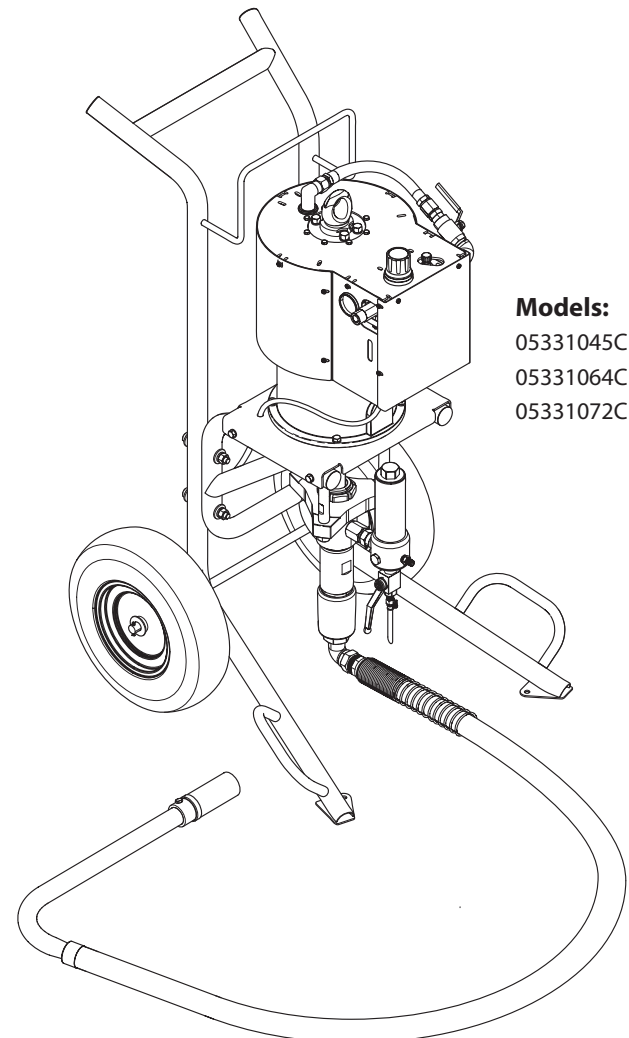
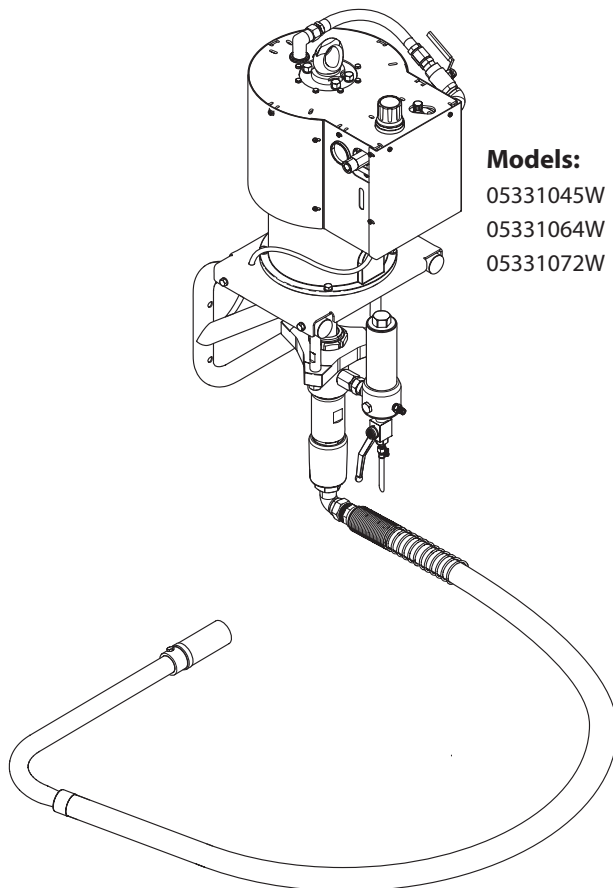
---

**Air Powered Airless Sprayer**

**Mit Druckluft betriebenes Airless-Spritzgerät**

**Pulvérisateur sans air pneumatique**

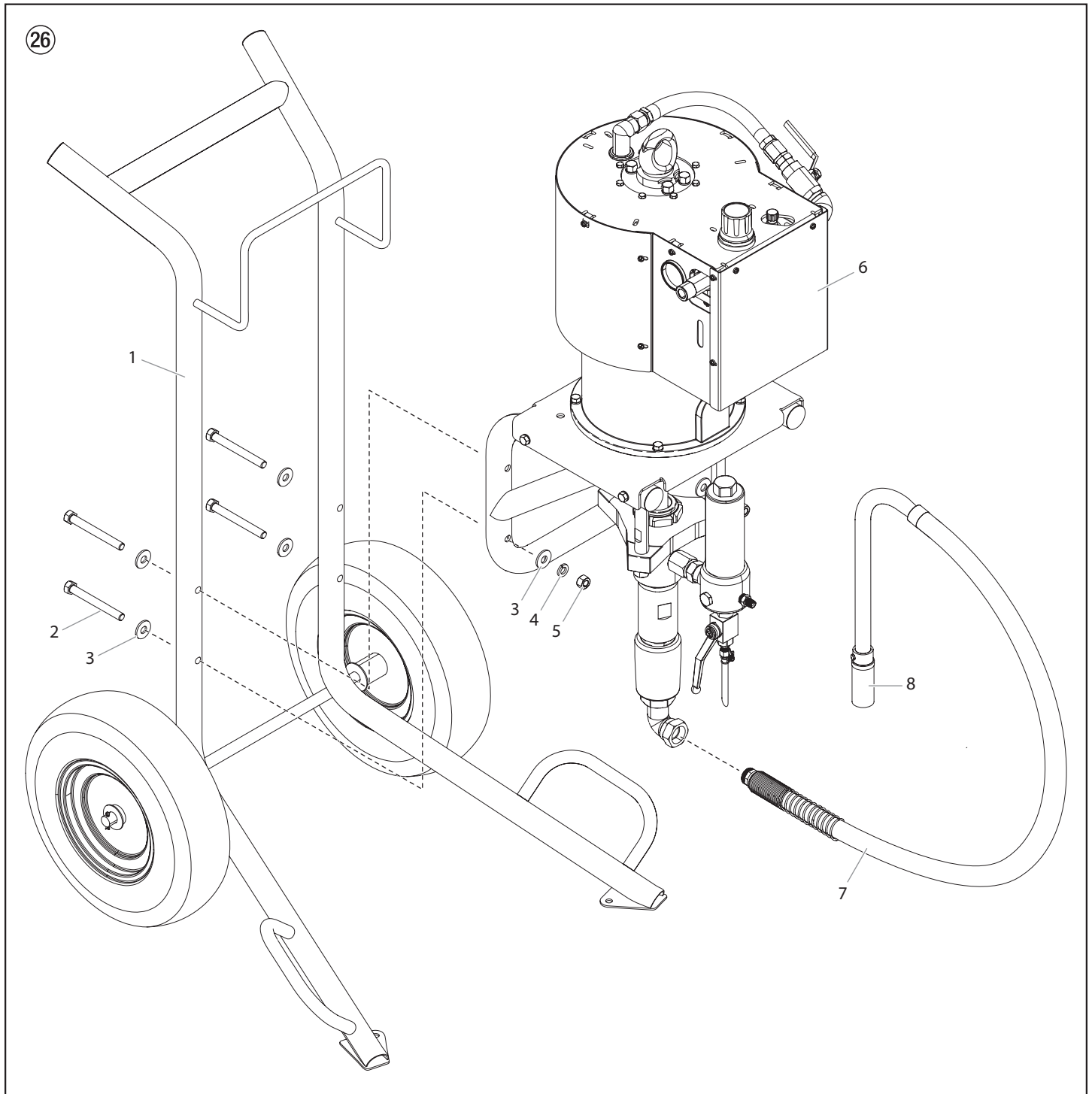
---



Ⓒ Main Assembly

Ⓓ Hauptbaugruppe

Ⓕ Ensemble principal



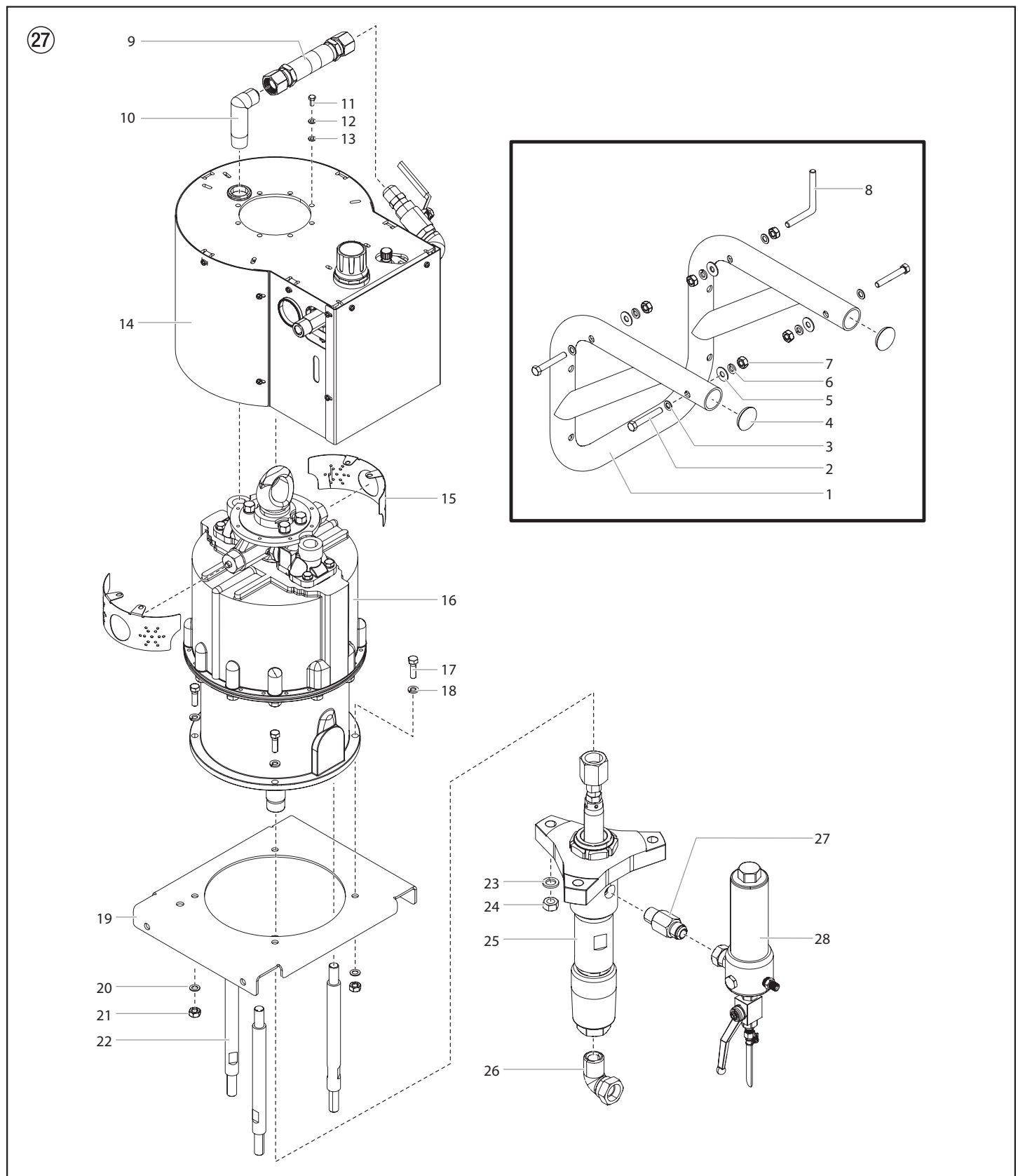
<b>Pos.</b>	<b>1045C 1064C 1072C</b>	<b>1045W 1064W 1072W</b>	<b>(GB) Description</b>	<b>(D) Benennung</b>	<b>(F) Description</b>
<b>1*</b>	0533257	-----	Cart assembly (cart model)	Wagenbaugruppe (Wagenmodell)	Ensemble de chariot (modèles à chariot)
<b>2</b>	9805472	-----	Screw (4)	Schraube (4)	Vis (4)
<b>3</b>	9822649	-----	Washer (8)	Scheibe (8)	Rondelle (8)
<b>4</b>	9822650	-----	Lock washer (4)	Sicherungsscheibe (4)	Rondelle de blocage (4)
<b>5</b>	9812337	-----	Nut (4)	Mutter (4)	Écrou (4)
<b>6*</b>	-----	-----	Wall mount assembly	Baugruppe Wandhalterung	Ensemble de montant mural
<b>7</b>	0533258	0533258	Siphon tube assembly (includes item 8)	Syphonschlauch-baugruppe (beinhaltet Posten 8)	Tuyau du siphon (cComprend le article 8)
<b>8</b>	0533968	0533968	Filter screen	Enlassieb	Grille d'entrée d'air
<b>Optional • Optional • Optional</b>					
	0533259	0533259	Siphon assembly, 55 gallon (includes item 8)	Syphonschlauch-baugruppe, 208 L. (Beinhaltet Posten 8)	Tuyau du siphon, 208 L (comprend le article 8).

- \* See separate listing
- \* Siehe separate Auflistung
- \* voir la liste de pièces distincte

Ⓒ Wall Mount Assembly

Ⓓ Baugruppe Wandhalterung

Ⓕ Ensemble de montant mural



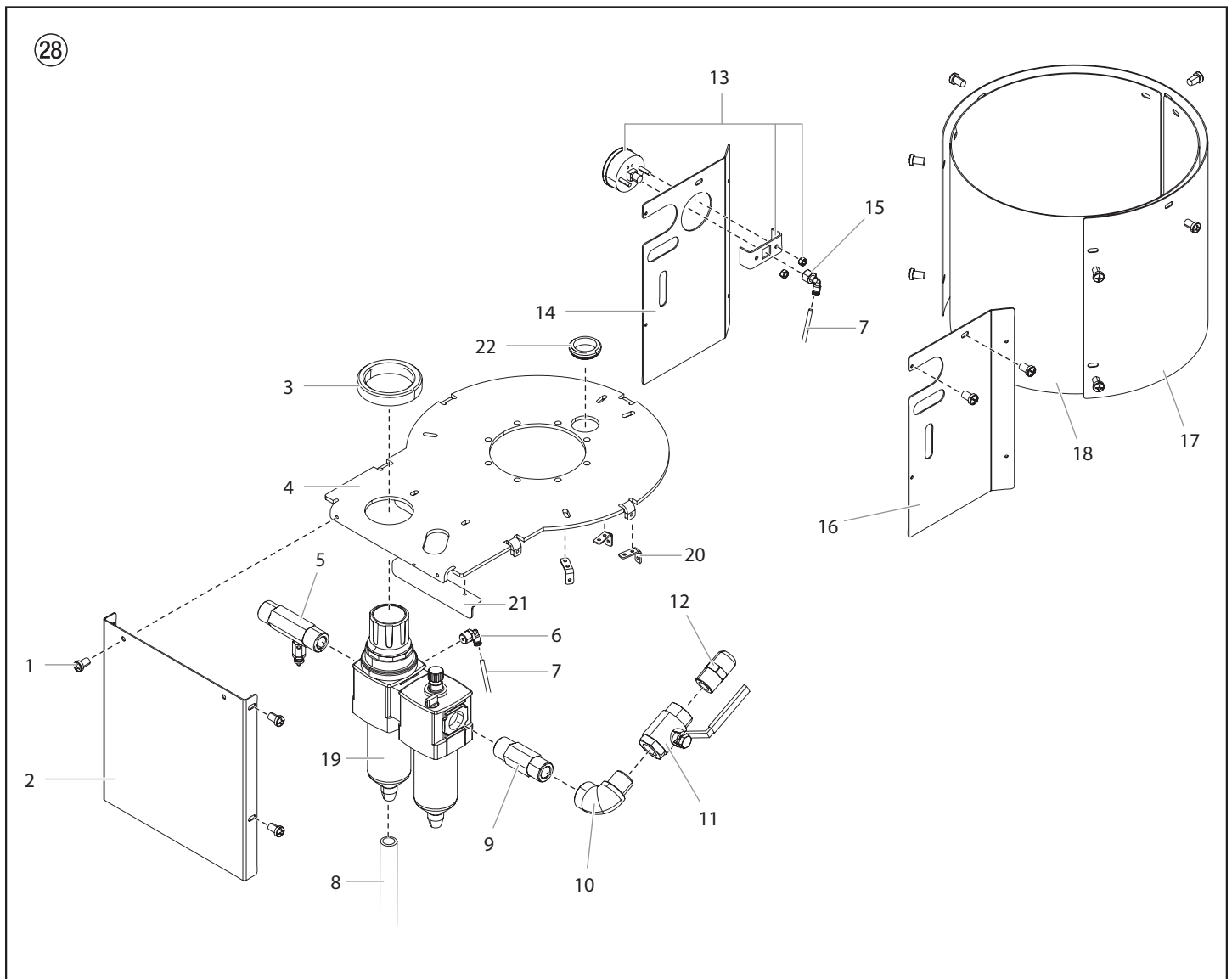
Pos.	1045	1064	1072	(GB) Description	(D) Benennung	(F) Description
1	0533260	0533260	0533260	Wall mount weldment	Rahmen zur Montage an die Wand	Ensemble soudé du montant mural
2	9805426	9805426	9805426	Screw (4)	Schraube (4)	Vis (4)
3	9822651	9822651	9822651	Washer (4)	Scheibe (4)	Rondelle (4)
4	0533969	0533969	0533969	Plug (2)	Stöpsel (2)	Fiche (2)
5	0533970	0533970	0533970	Washer (4)	Scheibe (4)	Rondelle (4)
6	0509292	0509292	0509292	Lock washer (4)	Sicherungsscheibe (4)	Rondelle de blocage (4)
7	9805466	9805466	9805466	Nut (5)	Mutter (5)	Écrou (5)
8	0533979	0533979	0533979	Hook	Haken	Crochet
9	0533971	0533971	0533971	Air tube	Luftschlauch	Tube d'air
10	0533972	0533972	0533972	Elbow, 90°	Winkel, 90°	Coude, 90°
11	858-625	858-625	858-625	Screw (8)	Schraube (8)	Vis (8)
12	9821503	9821503	9821503	Lock washer (8)	Sicherungsscheibe (8)	Rondelle de blocage (8)
13	0533579	0533579	0533579	Washer (8)	Scheibe (8)	Rondelle (8)
14	-----	-----	-----	Upper shroud assembly	Baugruppe obere Abdeckung	Ensemble du logement supérieur
15	0533973	0533973	0533973	Plate (2)	Platte (2)	Plaque (2)
16*	0533261	0533261	0533261	Air motor assembly	Luftmotor	Moteur pneumatique
17	0090026	0090026	0090026	Screw (4)	Schraube (4)	Vis (4)
18	9822652	9822652	9822652	Washer (4)	Scheibe (4)	Rondelle (4)
19	0533974	0533974	0533974	Bracket	Halterung	Support
20	0509292	0509292	0509292	Washer (4)	Scheibe (4)	Rondelle (4)
21	9805466	9805466	9805466	Nut (4)	Mutter (4)	Écrou (4)
22	0533976	0533976	0533976	Stanchion (3)	Stütze (3)	Colonne (3)
23	9822637	9822637	9822637	Washer (3)	Scheibe (3)	Rondelle (3)
24	9812326	9812326	9812326	Nut (3)	Mutter (3)	Écrou (3)
25*	0533262	0533263	0533264	Pump assembly	Flüssigkeitspumpe	Pompe de fluides
26	0533977	0533977	0533977	Elbow, 90°	Winkel, 90°	Coude, 90°
27	0533978	0533978	0533978	Fitting	Beschlag	Raccord
28*	0533265	0533265	0533265	Filter assembly	Filterbaugruppe	Ensemble de filtre

- \* See separate listing
- \* Siehe separate Auflistung
- \* voir la liste de pièces distincte

(GB) Upper shroud assembly

(D) Baugruppe obere Abdeckung

(F) Ensemble du logement supérieur



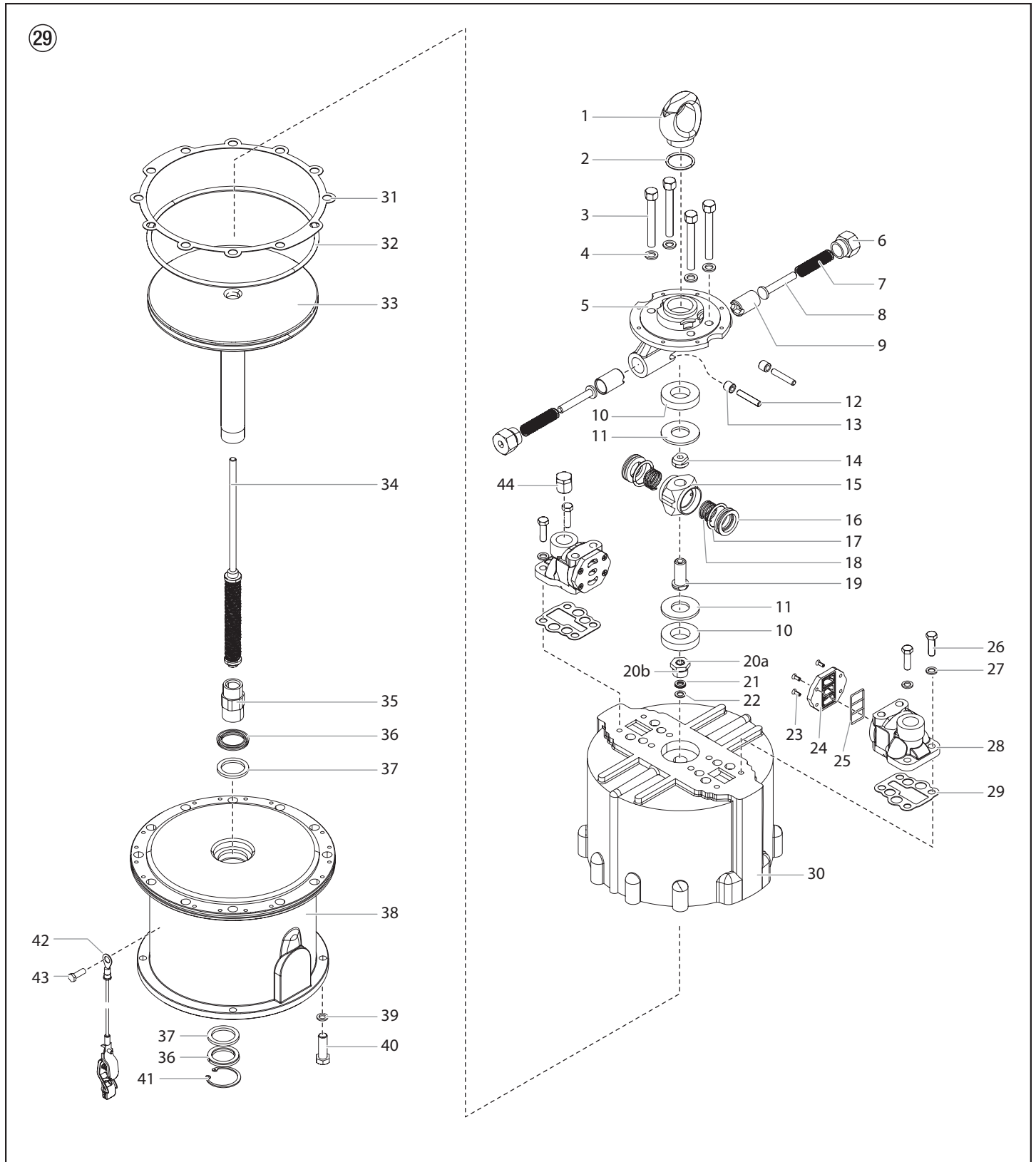
<b>Pos.</b>	<b>1045</b>	<b>1064</b>	<b>1072</b>	<b>(GB)</b> <b>Description</b>	<b>(D)</b> <b>Benennung</b>	<b>(F)</b> <b>Description</b>
<b>1</b>	0533463	0533463	0533463	Shroud screw (17)	Schraube (17)	Vis de capot (17)
<b>2</b>	0533980	0533980	0533980	Shroud, front	Abdeckung, Vorderseite	Capot, avant
<b>3</b>	0533910	0533910	0533910	Ring	Ring	Anneau
<b>4</b>	0533982	0533982	0533982	Shroud, top	Abdeckung, Oberseite	Capot, dessus
<b>5</b>	0533983	0533983	0533983	Fitting, air inlet	Anschluss, Lufteinlass	Raccord, entrée d'air
<b>6</b>	0533496	0533496	0533496	Elbow, 90°	Winkel, 90°	Coude, 90°
<b>7</b>	0533984	0533984	0533984	Tube (connects items 6 and 15)	Schlauch (verbindet Pos. 6 und 15)	Tube (raccorde les articles 6 et 15)
<b>8</b>	0533985	0533985	0533985	Lubricator drain hose	Rücklaufschlauch der Druckluftöler	Tuyau de vidange du lubrificateur
<b>9</b>	0533986	0533986	0533986	Nipple	Nippel	Raccord
<b>10</b>	0533987	0533987	0533987	Elbow, 90°	Winkel, 90°	Coude, 90°
<b>11</b>	0533988	0533988	0533988	Ball valve	Ballventil	Soupape à bille
<b>12</b>	0533989	0533989	0533989	Nipple	Nippel	Raccord
<b>13</b>	600-086	600-086	600-086	Pressure gauge	Manometer	Manomètre
<b>14</b>	0533991	0533991	0533991	Shroud, left	Abdeckung, links	Capot, gauche
<b>15</b>	0533491	0533491	0533491	Elbow, 90°	Winkel, 90°	Coude, 90°
<b>16</b>	0533994	0533994	0533994	Shroud, right	Abdeckung, rechts	Capot, droit
<b>17</b>	0533995	0533995	0533995	Shroud, rear	Abdeckung, Rückseite	Capot, Arrière
<b>18</b>	0533997	0533997	0533997	Shroud	Abdeckung	Capot
<b>19*</b>	0533210A	0533210A	0533210A	Automatic lubricator assembly (FRL)	Filter/Regler/Baugruppe Schmiervorrichtung (FRL)	Lubrificateur automatique (FRL)
<b>20</b>	0533998	0533998	0533998	Bracket, shroud (4)	Halterung, Abdeckung (4)	Support, capot (4)
<b>21</b>	0533999	0533999	0533999	Bracket, FRL	Halterung, FRL	Support, FRL
<b>22</b>	0533768	0533768	0533768	Snap bushing	Ring	Anneau

- \* See separate listing
- \* Siehe separate Auflistung
- \* voir la liste de pièces distincte

GB Air Motor Assembly

D Luftmotor

F Moteur pneumatique



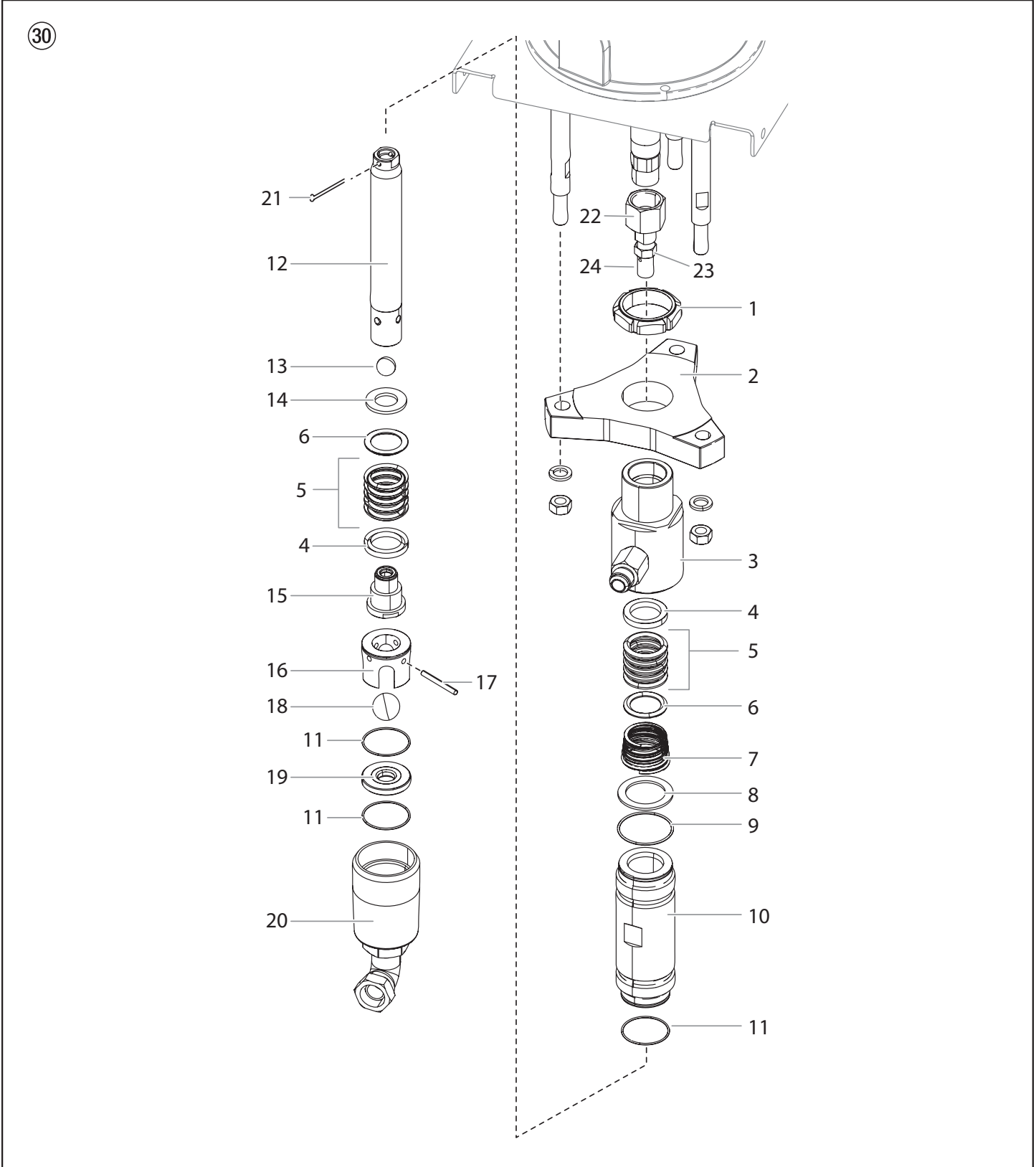


Pos.	1045 1064 1072	(GB) Description	(D) Benennung	(F) Description
1	0533949	Eye hook assembly	Ösenhaken	Ensemble de crochet fermé
2	0533365	O-ring	O-Ring	Joint torique
3	9805471	Screw (4)	Schraube (4)	Vis (4)
4	864-002	Washer (4)	Scheibe (4)	Rondelle (4)
5	0533950	Detent housing	Gehäuse der Rastvorrichtung	Logement de l'ergot
6	0533943	Spring retainer (2)	Federhalterung (2)	Rondelle de retenue de ressort (2)
7	0533944	Spring (2)	Feder (2)	Ressort (2)
8	0533945	Spring guide (2)	Federführung (2)	Guide du ressort (2)
9	0533946	Plunger (2)	Plunger (2)	Piston (2)
10	0533951	Rubber pad (2)	Gummiauflage (2)	Coussinet (2)
11	9822648	Washer (2)	Scheibe (2)	Rondelle (2)
12	0533948	Axle (2)	Achse (2)	Essieu (2)
13	0533947	Axle roller (2)	Achsenrolle (2)	Rouleau de l'essieu (2)
14	0533967	Trip rod nut	Auslösestangenmutter	Écrou de la tige de déclenchement
15	0533952	Valve housing	Ventilgehäuse	Logement de soupape
16	0533956	Air director valve (2)	Luftsteuerventil (2)	Soupape d'orientation de l'air (2)
17*	0533644	O-ring (2)	O-Ring (2)	Joint torique (2)
18	0533955	Spring (2)	Feder (2)	Ressort (2)
19	0533953	Valve housing hub	Nabe Ventilgehäuse	Moyeu du logement de soupape
20a	0533954	Bearing	Lager	Palier
20b	0533769	O-ring	O-Ring	Joint torique
21*	0533642	Backup washer	Unterlegscheibe	Rondelle de secours
22*	0533643	V-block packing	V-Block-Packung	Garniture du bloc en v
23	0533864	Screw (8)	Schraube (8)	Vis (8)
24	0533957	Valve plate (2)	Ventilplatte (2)	Plaque porte-soupape (2)
25	0533958	Valve plate seal (2)	Dichtung Ventilplatte (2)	Joint d'étanchéité de la plaque porte-soupape (2)
26	862-444	Screw (4)	Schraube (4)	Vis (4)
27	0509292	Washer (4)	Scheibe (4)	Rondelle (4)
28	0533959	Manifold (2)	Verteiler (2)	Collecteur (2)
29*	0533645	Gasket (2)	Dichtung (2)	Joint statique (2)
30	0533961	Air motor cylinder	Luftmotorzylinder	Cylindre du moteur pneumatique
31*	0533649	Cylinder gasket	Zylinderdichtung	Joint statique du cylindre
32*	0533648	O-ring	O-Ring	Joint torique
33	0533962	Piston	Kolben	Piston
34	0533256	Trip rod	Auslösestange	Tige de déclenchement
35	0533964	Connecting rod stud	Bolzen Verbindungsstange	Goujon de la bielle
36*	0533646	Packing (2)	Packung (2)	Garniture (2)
37*	0533647	Washer (2)	Scheibe (2)	Rondelle (2)
38	0533965	Motor base	Motorenfuß	Base du moteur
39	9822650	Washer (4)	Scheibe (4)	Rondelle (4)
40	9805474	Screw (4)	Schraube (4)	Vis (4)
41	0533865	Retaining ring	Haltering	Anneau de retenue
42	730-165	Grounding wire	Erdungskabel	Câble de mise à la terre
43	0533866	Ground screw	Erdungsschraube	Vis de borne de terre
44	9885664	Pipe plug	Verschlussschraube	Vis bouchon
*	0533935	Motor service kit (includes items 17, 21-22, 29, 31-32, and 36-37)	Motor-Service-Kit (beinhaltet Posten 17, 21-22, 29, 31-32 und 36-37)	Trousse d'entretien du moteur (comprend les articles 17, 21-22, 29,31-32, et 36-37)

GB Fluid Pump Assembly

D Flüssigkeitspumpe

F Pompe de fluides

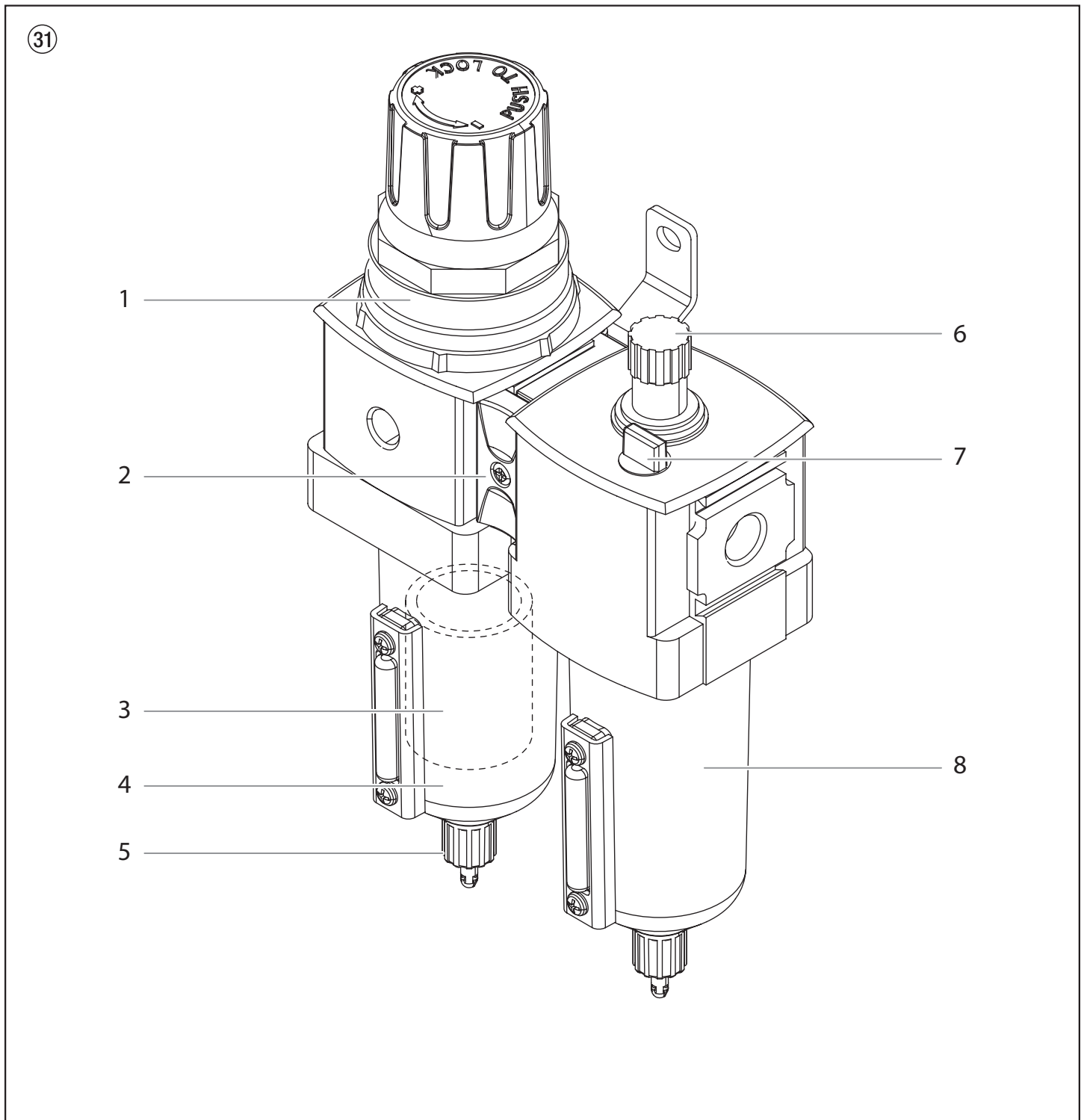


Pos.	1045	1064	1072	(GB) Description	(D) Benennung	(F) Description
1	0533671	0533671	0533671	Ring	Ring	Anneau
2	0533672	0533672	0533672	Pump block	Pumpenblock	Groupe de pompage
3	0533673	0533685	0533696	Housing	Gehäuse	Logement
4*	0533650	0533656	0533662	Gland, female	Stutzen, mit Wulst	Fouloir, femelle
5*	0533652	0533658	0533664	Packing, leather (6)	Packung, Leder (6)	Garniture, cuir (6)
	0533651	0533657	0533663	Packing, PTFE (4)	Packung, PTFE (4)	Garniture, PTFE (4)
6*	0533653	0533659	0533665	Gland, male	Stutzen	Fouloir, mâle
7	0533674	0533666	0533697	Upper packing spring	Konusfeder	Ressort de garniture supérieure
8	0533675	0533667	0533698	Gasket	Dichtung	Joint statique
9*	0533654	0533660	0533660	O-ring, PTFE	O-Ring, PTFE	Joint torique, PTFE
10	0533676	0533688	0533699	Cylinder	Zylinder	Cylindre
11*	0533655	0533661	0533661	O-ring, PTFE (3)	O-Ring, PTFE (3)	Joint torique, PTFE (3)
12	0533677	0533689	0533939	Piston rod	Kolbenstange	Tige de piston
13*	211-129	211-129	51519	Ball	Kugel	Bille
14	0533678	0533690	0533941	Retainer	Halterung	Dispositif de retenue
15	0533679	0533691	0533942	Piston seat assembly	Kolbensitzbaugruppe	Ensemble du siège de piston
16	0533680	0533692	0533962	Ball cage assembly	Kugelführung	Guide de bille
17	0533681	0533693	0533693	Ball pin	Kugelbolzen	Goupille de bille
18*	315-700	315-700	315-700	Ball, 1 1/4"	Kugel, 1 1/4"	Bille, 1 1/4"
19	0533683	0533694	0533694	Ball seat	Kugelsitz	Queue à bille
20	0533684	0533695	0533695	Foot valve assembly	Einlassventilgehäuse	Logement du clapet de pied
21*	9832132	9832132	9832132	Pin	Stift	Goupille
22	0533669	0533669	0533669	Nut	Mutter	Écrou
23	0533670	0533670	0533670	Nut	Mutter	Écrou
24	0533668	0533668	0533668	Connecting rod	Verbindungskolben	Bielle
*	0533936	0533937	0533938	Fluid pump service kit (includes items 4-6, 9, 11, 13, 18, 21 and Loctite sealant 426-051)	Pumpen-Service-Kit (beinhaltet Posten 4-6, 9, 11, 13, 18, 21, sowie das Dichtungsmittel Loctite 426-051)	Trousse d'entretien de la pompe (comprend les articles 4-6, 9, 11, 13, 18, 21 et le mastic Loctite 426-051.

Ⓒ Automatic filter, lubricator, regulator assembly

Ⓓ Filter/Regler/Baugruppe Schmiervorrichtung

Ⓕ Filtre, Lubrificateur, regulateur automatique

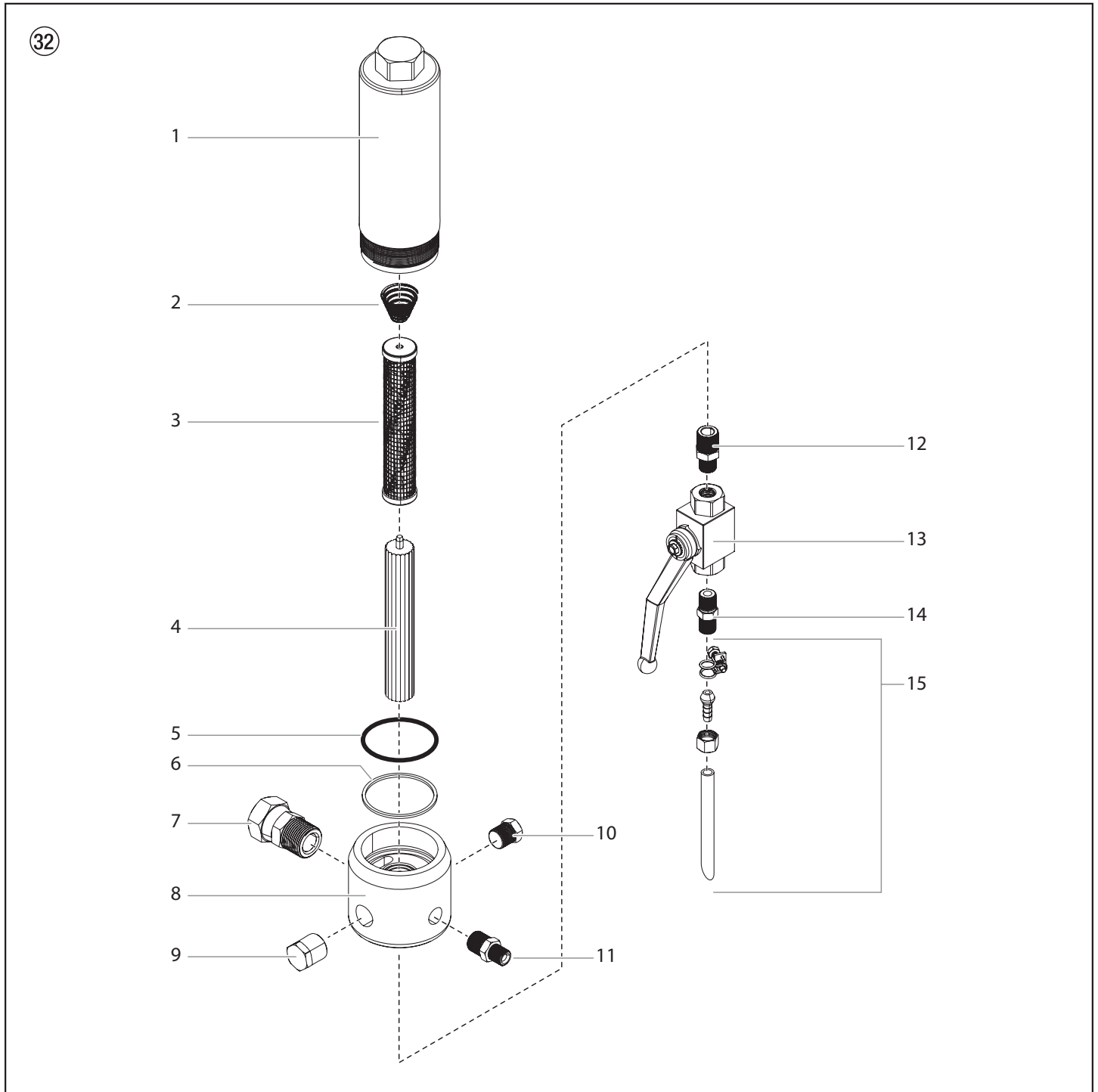


<b>Pos.</b>	<b>1045 1064 1072</b>	<b>(GB)</b> <b>Description</b>	<b>(D)</b> <b>Benennung</b>	<b>(F)</b> <b>Description</b>
<b>1</b>	0533910	Panel mount nut	Mutter für Tafelmontage	Écrou de fixation au panneau
<b>2</b>	0533909	Body connector	Gehäusestecker	Connecteur du corps
<b>3</b>	0533911	Filter element	Filterelement	Élément filtrant
<b>4</b>	0533915	Filter bowl	Filterbecher	Cuve de filtre
<b>5</b>	0533912	Auto drain kit	Kit für automatischen Ablass	Trousse de vidange automatique
<b>6</b>	0533914	Drip control assembly	Baugruppe Drip-Control	Ensemble de contrôle du goutte-à-goutte
<b>7</b>	0533913	Fill plug	Füllschraube	Bouchon de remplissage
<b>8</b>	0533916	Lubricator bowl	Druckluftölerbecher	Cuve de lubrificateur
	0533917	Regulator relieving repair kit	Regulator relieving repair kit	Trousse de réparation du régulateur de décompression
	0533918	Body connector O-ring kit (10 pieces)	O-Ring-Kit für Gehäusean-schluss (10 Stück)	Trousse du joint torique du connecteur du corps (10 pièces)

Ⓒ High Pressure Filter

Ⓓ Hochdruckfilter

Ⓕ Filtre à haute pression



Pos.	1045 1064 1072	(GB) Description	(D) Benennung	(F) Description
1	0533854	Filter cap	Gehäusedeckel	Couvercle du corps
2	0533513	Spring	Feder	Ressort
3	0533514	Filter element, 60 M	Filterpatrone, 60 Maschen	Cartouche de filtre 60 mailles
4	0533515	Filter support	Stützung	Support du filtre
5	0533855	Gasket, PTFE	Dichtung, PTFE	Joint torique, PTFE
6	0533856	Gasket, PTFE (thin)	Dichtung dünn, PTFE	Joint PTFE, mince
7	0533857	Nipple	Nippel	Raccord
8	0533858	Filter body	Gehäuse	Corps
9	210-023	Pipe plug	Verschlussschraube	Vis bouchon
10	227-033	Pipe plug	Verschlussschraube	Vis bouchon
11	0533859	Spray hose outlet fitting	Auslassanschluss Spritzschlauch	Raccord de sortie du tuyau de pulvérisation
12	0533770	Nipple	Nippel	Raccord
13	0533517	Bleed valve assembly	Ablassschlauchbaugruppe	Assemblage de la soupape de décharge
14	0533634	Nipple	Nippel	Raccord
15	0533127	Return tube assembly	Rücklaufschlauchbaugruppe	Assemblage de tube de retour

### Filter Assembly Specifications

Maximum Working Pressure	7200 psi (49.6 MPa)
Filter Area	15 ln <sup>2</sup> (97 cm <sup>2</sup> )
Outlet Ports	(1) 3/8" NPT(F) for bleed valve (1) 3/8" NPT(F) with nipple (1) 3/4" NPT(F) with 3/4" NPSM(M) swivel (1) 1/2" NPT(F) with plug
Wetted Parts	Stainless steel, PTFE

### Spezifikationen

Maximaler Arbeitsdruck	49,6 MPa (7200 psi)
Filterbereich	97 cm <sup>2</sup> (15 ln <sup>2</sup> )
Ablässöffnungen	(1) 3/8" NPT(F) für das Ablassventil (1) 3/8" NPT(F) für Nippel (1) 3/4" NPT(F) mit 3/4" NPSM(M) Schlauchverbindung (1) 1/2" NPT(F) mit Verschlussschraube
Pièces mouillées	Edelstahl, PTFE

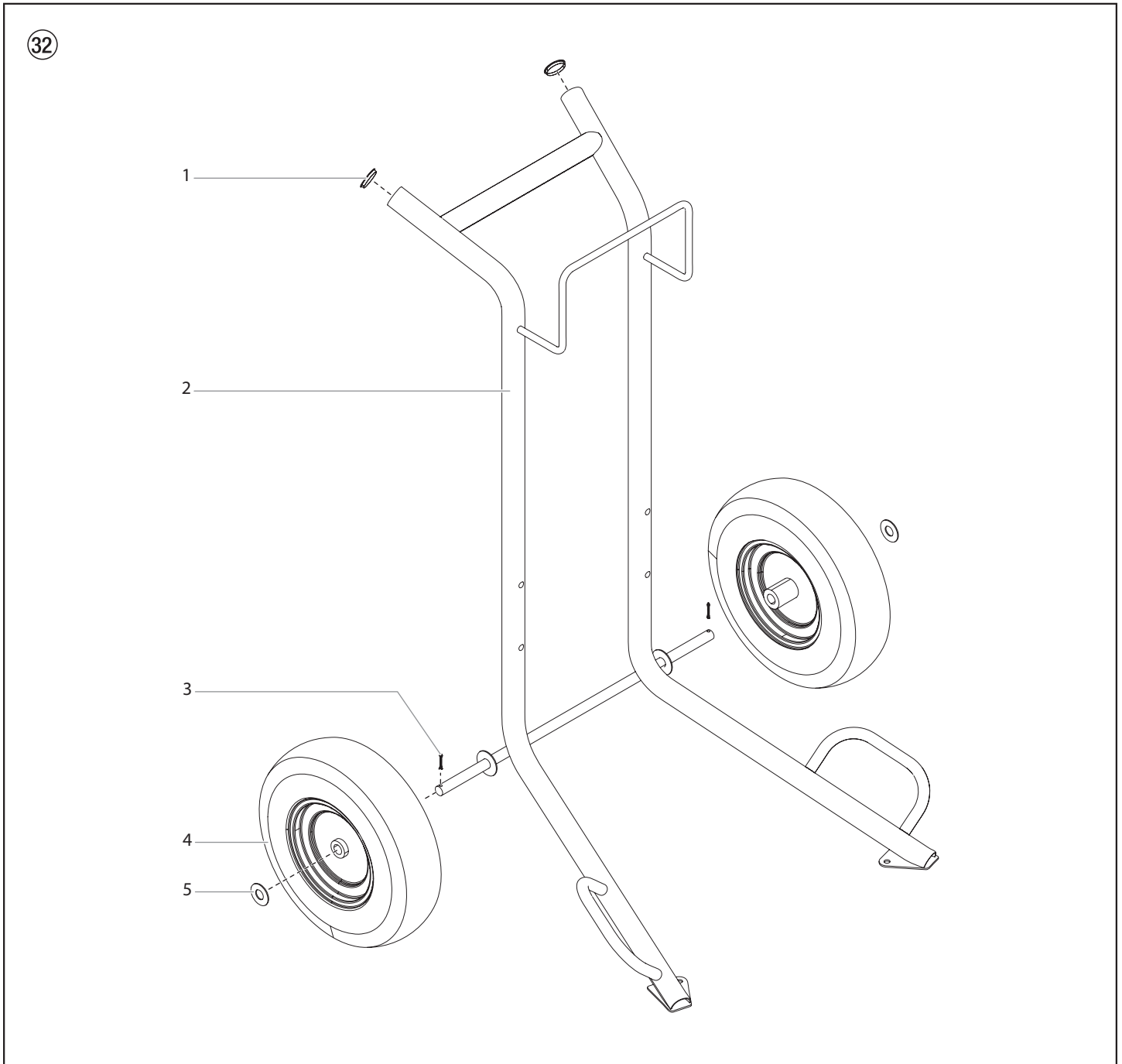
### Caractéristiques

Pression de travail maximale	49,6 MPa (7200 psi)
Surface du filtre	97 cm <sup>2</sup> (15 ln <sup>2</sup> )
Orifices de sortie	(1) 3/8" NPT(F) pour la soupape de décharge (1) 3/8" NPT (F) pour raccord (1) 3/4" NPT(F) avec raccord de tuyau 3/4" NPSM(M) (1) 1/2" NPT(F) avec vis bouchon
Pièces mouillées	Acier inoxydable, PTFE

Ⓒ GB **Cart Assembly**

Ⓒ F **Wagen**

Ⓒ F **Ensemble de chariot**





Pos.	1045C 1064C 1072C	(GB) Description	(D) Benennung	(F) Description
1	0533860	Plug (2)	Stöpsel (2)	Fiche (2)
2	0533861	Cart weldment	Rahmen	Châssis
3	0533441	Pin (2)	Stift (2)	Goupille (2)
4	670-105	Wheel (2)	Rad (2)	Roue (2)
5	0533863	Wheel spacer (2)	Abstandhalter (2)	Espaceur de roue (2)



## Warranty

Titan Tool, Inc., ("Titan") warrants that at the time of delivery to the original purchaser for use ("End User"), the equipment covered by this warranty is free from defects in material and workmanship. With the exception of any special, limited, or extended warranty published by Titan, Titan's obligation under this warranty is limited to replacing or repairing without charge those parts which, to Titan's reasonable satisfaction, are shown to be defective within twelve (12) months after sale to the End User. This warranty applies only when the unit is installed and operated in accordance with the recommendations and instructions of Titan.

This warranty does not apply in the case of damage or wear caused by abrasion, corrosion or misuse, negligence, accident, faulty installation, substitution of non-Titan component parts, or tampering with the unit in a manner to impair normal operation.

Defective parts are to be returned to an authorized Titan sales/service outlet. All transportation charges, including return to the factory, if necessary, are to be borne and prepaid by the End User. Repaired or replaced equipment will be returned to the End User transportation prepaid.

THERE IS NO OTHER EXPRESS WARRANTY. TITAN HEREBY DISCLAIMS ANY AND ALL IMPLIED WARRANTIES INCLUDING, BUT NOT LIMITED TO, THOSE OF MERCHANTABILITY AND FITNESS FOR A PARTICULAR PURPOSE, TO THE EXTENT PERMITTED BY LAW. THE DURATION OF ANY IMPLIED WARRANTIES WHICH CANNOT BE DISCLAIMED IS LIMITED TO THE TIME PERIOD SPECIFIED IN THE EXPRESS WARRANTY. IN NO CASE SHALL TITAN LIABILITY EXCEED THE AMOUNT OF THE PURCHASE PRICE. LIABILITY FOR CONSEQUENTIAL, INCIDENTAL OR SPECIAL DAMAGES UNDER ANY AND ALL WARRANTIES IS EXCLUDED TO THE EXTENT PERMITTED BY LAW.

TITAN MAKES NO WARRANTY AND DISCLAIMS ALL IMPLIED WARRANTIES OF MERCHANTABILITY AND FITNESS FOR A PARTICULAR PURPOSE WITH RESPECT TO ACCESSORIES, EQUIPMENT, MATERIALS OR COMPONENTS SOLD BUT NOT MANUFACTURED BY TITAN. THOSE ITEMS SOLD, BUT NOT MANUFACTURED BY TITAN (SUCH AS GAS ENGINES, SWITCHES, HOSES, ETC.) ARE SUBJECT TO THE WARRANTY, IF ANY, OF THEIR MANUFACTURER. TITAN WILL PROVIDE THE PURCHASER WITH REASONABLE ASSISTANCE IN MAKING ANY CLAIM FOR BREACH OF THESE WARRANTIES.

Register your product online at [www.titantool.com](http://www.titantool.com)

### United States Sales & Service

Phone: 1-800-526-5362

Fax: 1-800-528-4826

1770 Fernbrook Lane  
Plymouth, MN 55447  
[www.titantool.com](http://www.titantool.com)

### International Sales

[international@titantool.com](mailto:international@titantool.com)

Fax: 1-763-519-3509

1770 Fernbrook Lane  
Plymouth, MN 55447