

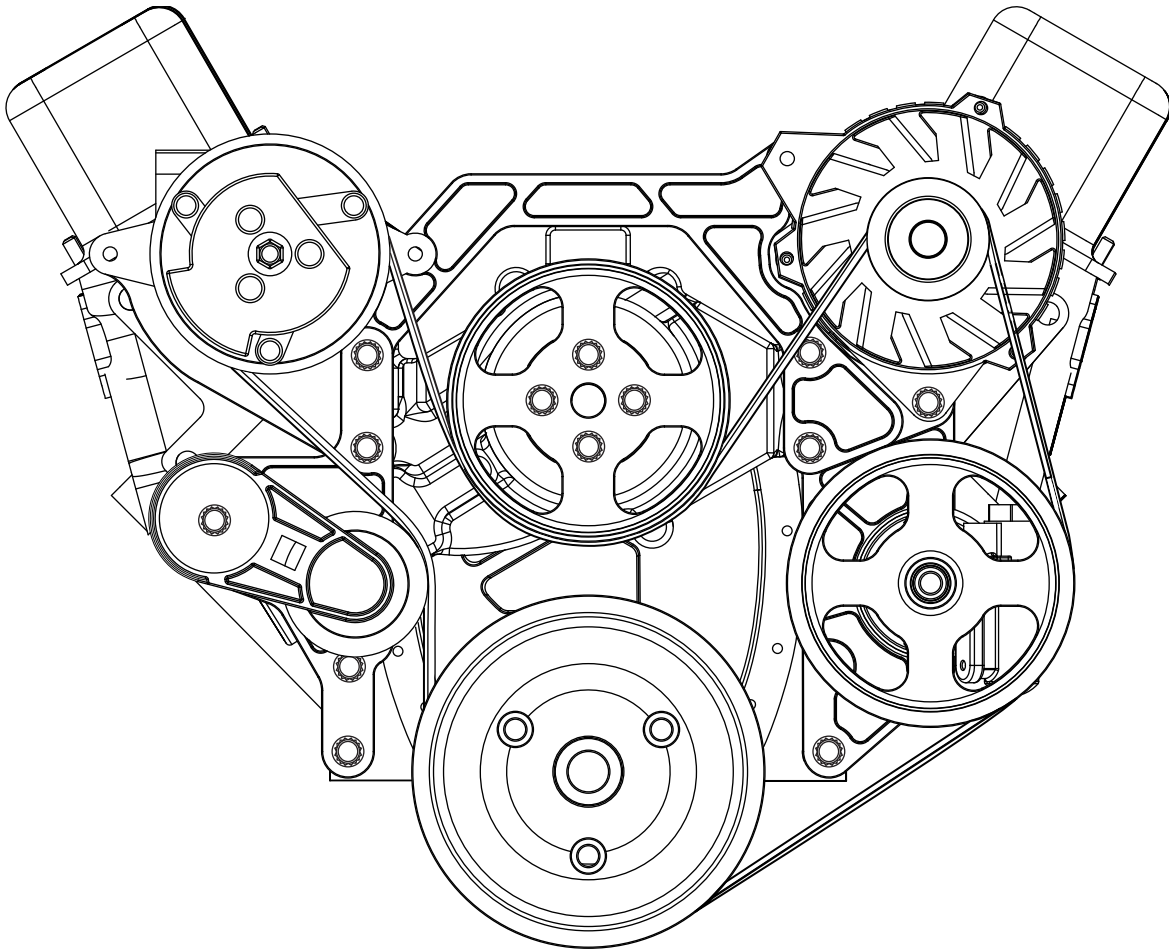


an ISO 9001:2015 Registered Company

Small Block Chevrolet

Serpentine Drive System

with & without Power Steering



18865 Goll St. San Antonio, TX 78266

Phone: 800-862-6658

Sales: sales@vintageair.com

Tech Support: tech@vintageair.com

www.vintageair.com



www.vintageair.com

Table of Contents

Cover..... 1

Table of Contents..... 2

Additional Parts & Accessories..... 3

Information Page..... 4

OEM Front Belt System Removal, Water Pump Mounting Stud Installation, Water Pump Installation..... 5

Water Pump Installation (Cont.)..... 6

Power Steering Bracket (Vehicles with Power Steering)..... 7

Power Steering Bracket (Vehicles without Power Steering)..... 8

Compressor/Alternator Bracket Assembly, Front Runner Main Bracket Assembly Installation..... 9

Main Bracket Assembly Installation (Cont.)..... 10

Heater Hose & Lower Radiator Hose Installation, Dowel Pin Installation..... 11

Belt Tensioner Bracket Installation, Belt Tensioner Installation..... 12

Crankshaft Pulley Installation, Power Steering Pump Installation (If Equipped)..... 13

Power Steering Pump Installation (Cont.), Belt Installation (With Power Steering)..... 14

Belt Installation (Without Power Steering)..... 15

Stock Thermostat Modification, Stewart High-Performance Thermostat, Final Steps..... 16



www.vintageair.com

Additional Parts & Accessories

The following additional parts and accessories are available for your Front Runner drive system:

Power Steering Accessories

DSE Hose Kit

852008 Early GM (1965-81)

852009 Mustang II

852012 Ford Fox Body (1979-2004)

(Fox Body rack & pinion has external hardlines)



DSE Steering Hardline

852000 TiteFit Hardline



NOTE: Pump not included with hardline (Shown for reference only).

Flow Control Valve

852001 For Mustang II Rack & Pinion
(Reduces flow to 2.0 GPM)



Banjo Fitting

852010 For DSE Hose Kit
(High-pressure outlet)

Banjo Fitting

852011 For -6AN Fitting



Compressor Block Fittings

342310 Front Runner TiteFit Line Kit

342311 Front Runner TiteFit Line Kit,
fully polished as shown



Steel Heater Hose Nipple

1/2" NPT for easy access on Chevrolet Front Runner drive installations.

501002-SUR Stainless Standard (1 3/16" length)

50101-SUR Stainless Long (2 7/8" length)

501012 Stainless 45° Angled

501011 Extended 45° Angled (Included with Small Block Chevrolet kit)



Water Neck Riser

Designed with 1/2" NPT thread port. Aluminum water neck riser allows installation of a sending unit or connection of a pressure-side heater line or hose when you are unable to use existing manifold outlets. Fitting sold separately. Designed for Small Block & Big Block Chevrolet.



706001-VCO Water Neck Riser (Top)

706003 Water neck riser with 1/2" NPT front side port location and rear corner port locations.

SuperStat Pre-Drilled Thermostat

Allows engine temperature to stabilize faster. Precisely controls amount of coolant flow, which means system cycles less often than conventional thermostats. Stainless spring.

70700-VUT 160° Thermostat

70705-VUT 180° Thermostat

70710-VUT 195° Thermostat





www.vintageair.com

Important Notice—Please Read

For Maximum System Performance, Vintage Air Recommends the Following:

The compressor and alternator supplied with this kit are grounded first via their respective mounting brackets, then to the engine block, and finally to the vehicle chassis. Inspect all mating surfaces to ensure a clean, metallic surface. This may require the removal of paint, corrosion or anodizing from several locations in order to complete the grounding path. In addition, the supplied 4 AWG cable or equivalent must be used to both ensure proper charging and prevent damage and/or fire.

After installation, it will be necessary to confirm the quality of the ground and power paths by measuring voltage drop between the electrical components and the battery terminals while operating the alternator at or near its rated load (refer to the diagram provided with the alternator installation instructions).

Refrigerant Capacities:

Vintage Air System: 1.8 lbs. (1 lb., 12 oz.) of **R134a**, charged by weight with a quality charging station or scale. **NOTE: Use of the proper type and amount of refrigerant is critical to system operation and performance. Vintage Air systems are designed to operate with R134a refrigerant only. Use of any other refrigerant could damage your A/C system and/or vehicle, and possibly cause a fire, in addition to potentially voiding the warranties of the A/C system and its components.**

Other Systems: Consult manufacturer's guidelines.

Lubricant Capacities:

New Vintage Air-supplied Sanden Compressor: No additional oil needed (Compressor is shipped with proper oil charge).

All Other Compressors: Consult manufacturer (Some compressors are shipped dry and will need oil added).

Service Info:

Protect Your Investment: Prior to assembly, it is critical that the compressor, evaporator, A/C hoses and fittings, hardlines, condenser and receiver/drier remained capped. Removing caps prior to assembly will allow moisture, insects and debris into the components, possibly leading to reduced performance and/or premature failure of your A/C system. This is especially important with the receiver/drier.

Additionally, when caps are removed for assembly, **BE CAREFUL!** Some components are shipped under pressure with dry nitrogen.

Evacuate the System for 35-45 Minutes: Ensure that system components (Drier, compressor, evaporator and condenser) are at a temperature of at least 85° F. On a cool day, the components can be heated with a heat gun **or** by running the engine with the heater on before evacuating. Leak check and charge to specifications.



www.vintageair.com

Important Information Before Beginning:

- Read instructions completely and thoroughly before installing the Vintage Air Front Runner system. Follow instructions step-by-step for proper installation.
- The Front Runner engine drive system includes a Stewart high-performance aluminum water pump that does not have an internal bypass. Therefore it will be necessary to either purchase a Stewart high-performance thermostat (available from Stewart) or drill (3) 3/16" bypass holes in your stock thermostat (See Figures 15 & 16, Page 15).
- Anti-seize must be used on all bolt threads, or mechanical locking will occur, preventing removal of nuts from bolts and causing damage to fasteners.
- If using an engine driven fan, a reverse rotation blade must be used. Fan/clutch pilot size must match pilot on the water pump. It is the installer's responsibility to ensure that the fan hub and/or spacer fits properly and that the fan manufacturer's maximum RPM rating is adhered to.

OEM Front Belt System Removal

Perform the Following:

1. Disconnect the negative battery cable.
2. Drain the radiator.
3. Remove the fan and belts.
4. Remove the alternator and A/C compressor.
5. Remove the crankshaft pulley from the harmonic balancer.
6. Remove the OEM water pump and thermostat.

Water Pump Mounting Stud Installation

1. Apply a bead of silicone around the coarse thread end of the water pump mounting studs, and thread them into the block (See Figure 1, Page 6). The studs should protrude 4 5/8" from the face of the block (See Figure 1, Page 6).

Water Pump Installation

1. Install the water pump pulley onto the water pump using (4) 5/16-24 x 3/4" 12-Pt SS bolts. Torque to 22 lb ft. **NOTE: The pulley is asymmetrical. The side of the pulley stamped with the part number must go toward the water pump.**
2. Install the new 5/8" hose fitting into the water pump prior to installing the water pump (See Figure 1, Page 6).
3. Using a suitable gasket sealer, apply a bead of sealer to both sides of the water pump gasket, and place the gasket onto the water pump.
4. Install the water pump and spacers onto the mounting studs (See Figure 1, Page 6).

Water Pump Installation (Cont.)

NOTES:

1. On Chevrolet ZZ4 engines, the composite timing cover will need to be replaced with a steel cover (GM Part# 10243967 or equivalent) for standard short water pump clearance.
2. Not compatible with any 1992-97 LT1 engine.

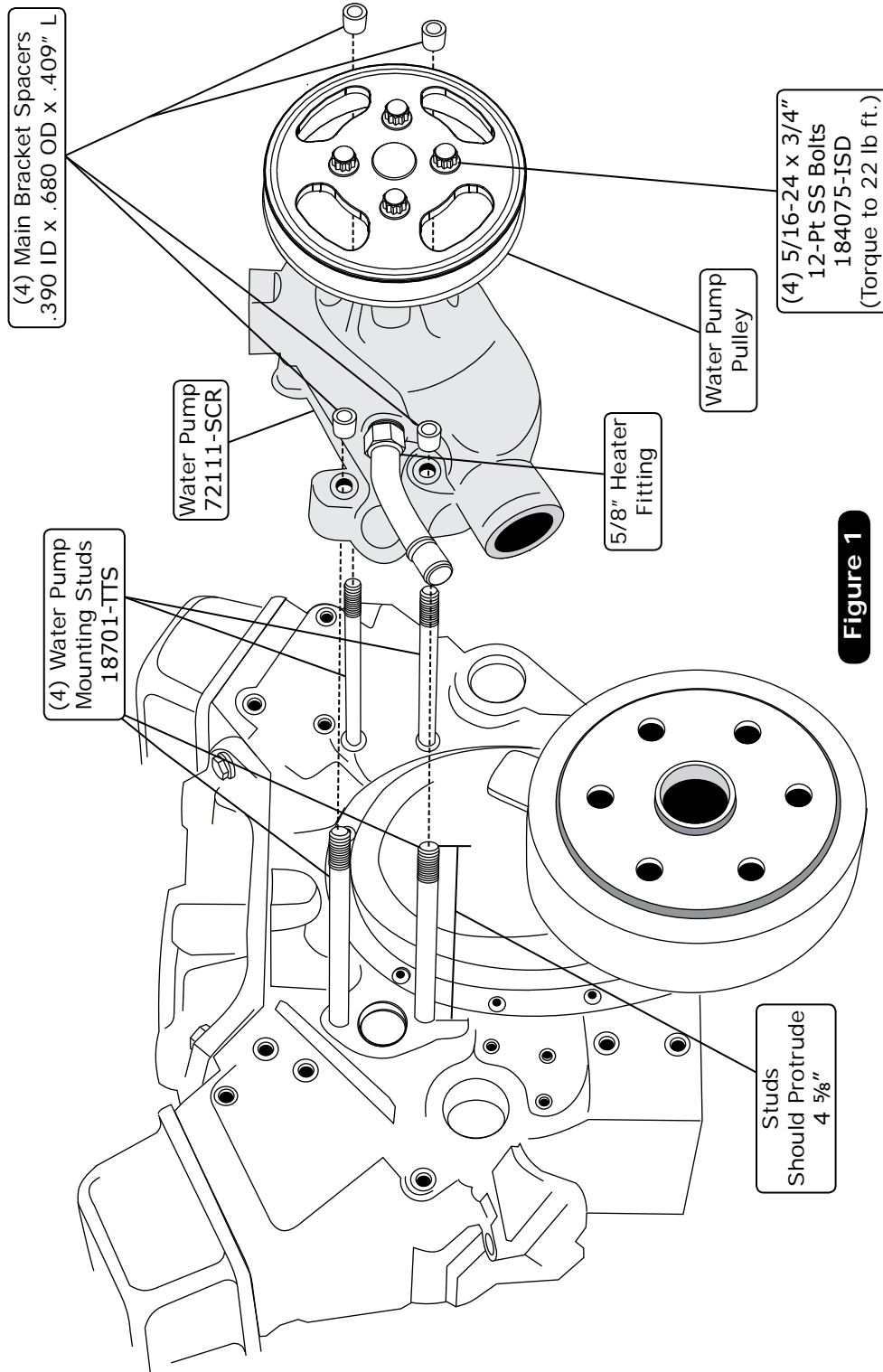


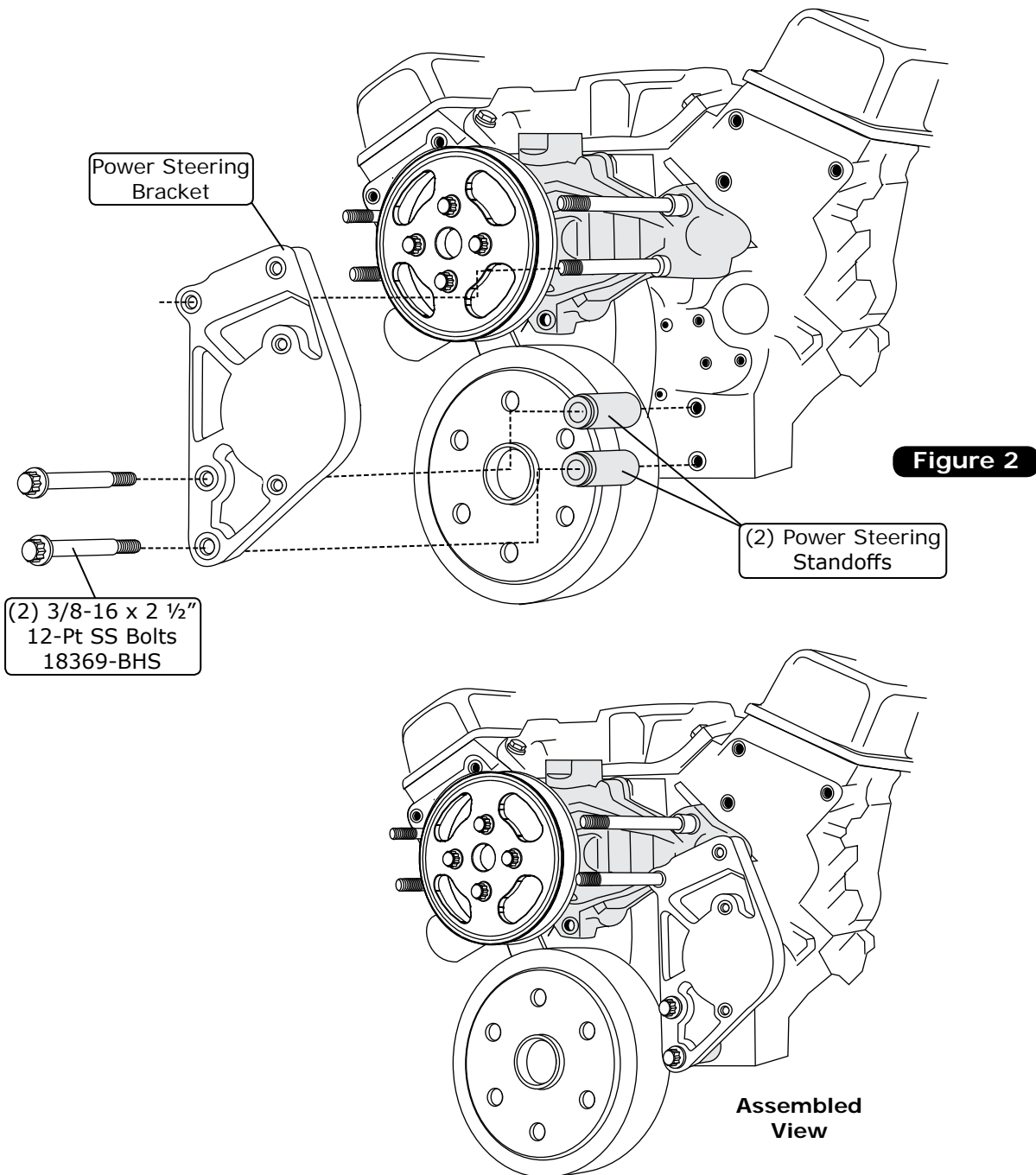
Figure 1



www.vintageair.com

Power Steering Bracket (Vehicles with Power Steering)

1. Install the power steering bracket onto the lower driver side mounting stud (See Figure 2, below).
2. Place the (2) power steering standoffs with shoulder ends toward the bracket between the engine block and the power steering bracket. Secure the power steering bracket using (2) 3/8-16 x 2 1/2" 12-Pt SS bolts as shown in Figure 2, below. Torque to 30 lb ft.

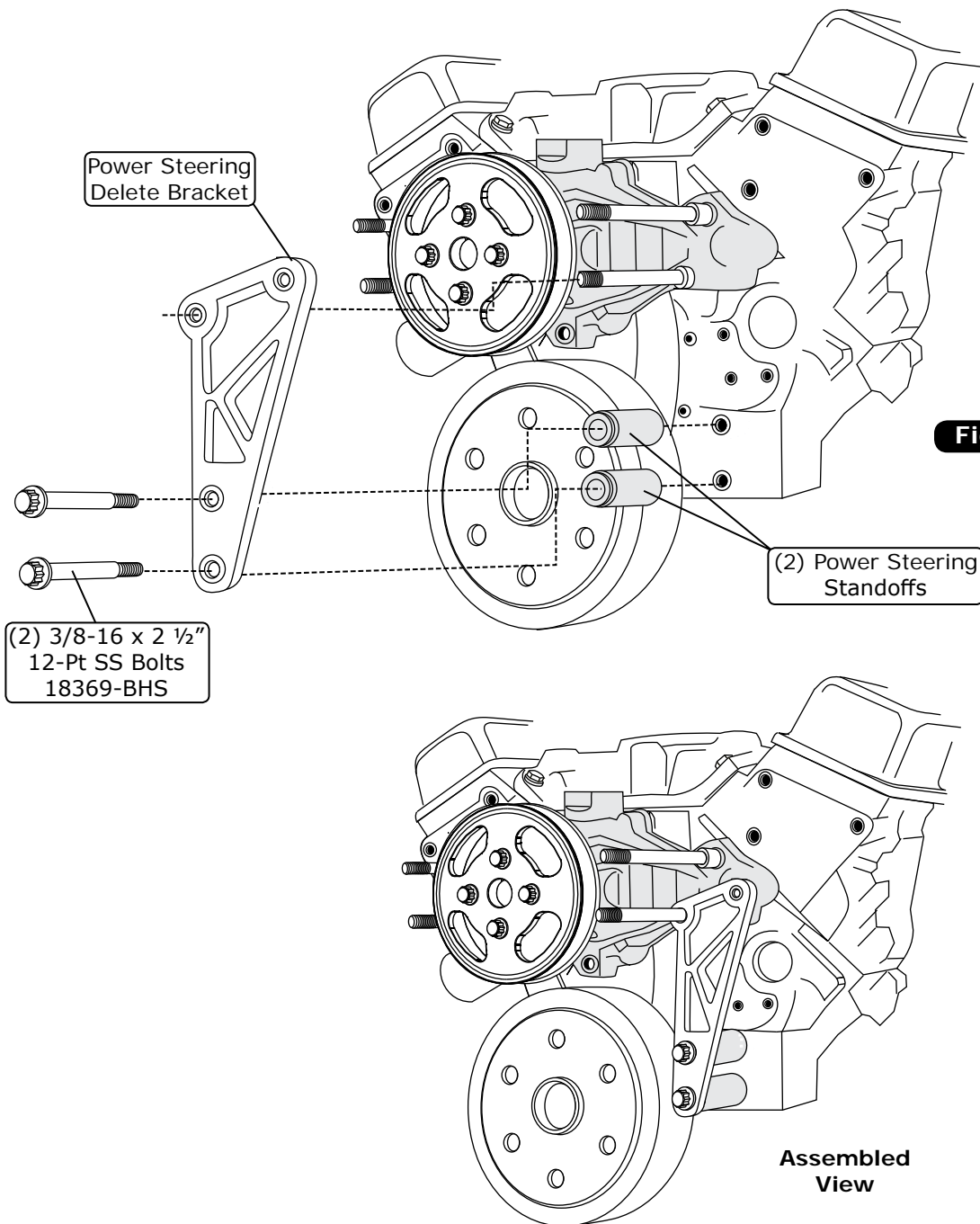




www.vintageair.com

Power Steering Bracket (Vehicles without Power Steering)

1. Install the power steering delete bracket onto the lower driver side mounting stud (See Figure 3, below).
2. Place the (2) power steering standoffs with shoulder ends toward the bracket between the engine block and the power steering delete bracket. Secure the power steering delete bracket using (2) 3/8-16 x 2 1/2" 12-Pt SS bolts as shown in Figure 3, below. Torque to 30 lb ft.





www.vintageair.com

Compressor/Alternator Bracket Assembly

1. Install the #8 and #10 A/C compressor fittings onto the compressor using (2) 8mm-1.25 x 25mm 12-Pt SS bolts as shown in Figure 4, below. Torque to 18 lb ft. Keep the ports sealed with caps until the A/C circuit has been completed.
2. Install the compressor onto the Front Runner main bracket using (2) .789 OD x .330 ID x .330" L spacers, with (1) between the main bracket and the compressor's upper front mounting tab, and (1) between the main bracket and the compressor's lower front mounting tab. Secure the compressor to the main bracket using (2) 5/16-18 x 4 1/4" 12-Pt SS bolts, (2) 5/16" AN washers and (2) 5/16-18 nyloc nuts (See Figure 4, below). The compressor mounting ears contain sliding bushings that are drawn in and clamp to the bracket when compressed. Torque to 25 lb ft.
3. Install the alternator onto the main bracket using an 8mm-1.25 x 70mm 12-Pt SS bolt (See Figure 4, below). Torque to 24-28 lb ft.

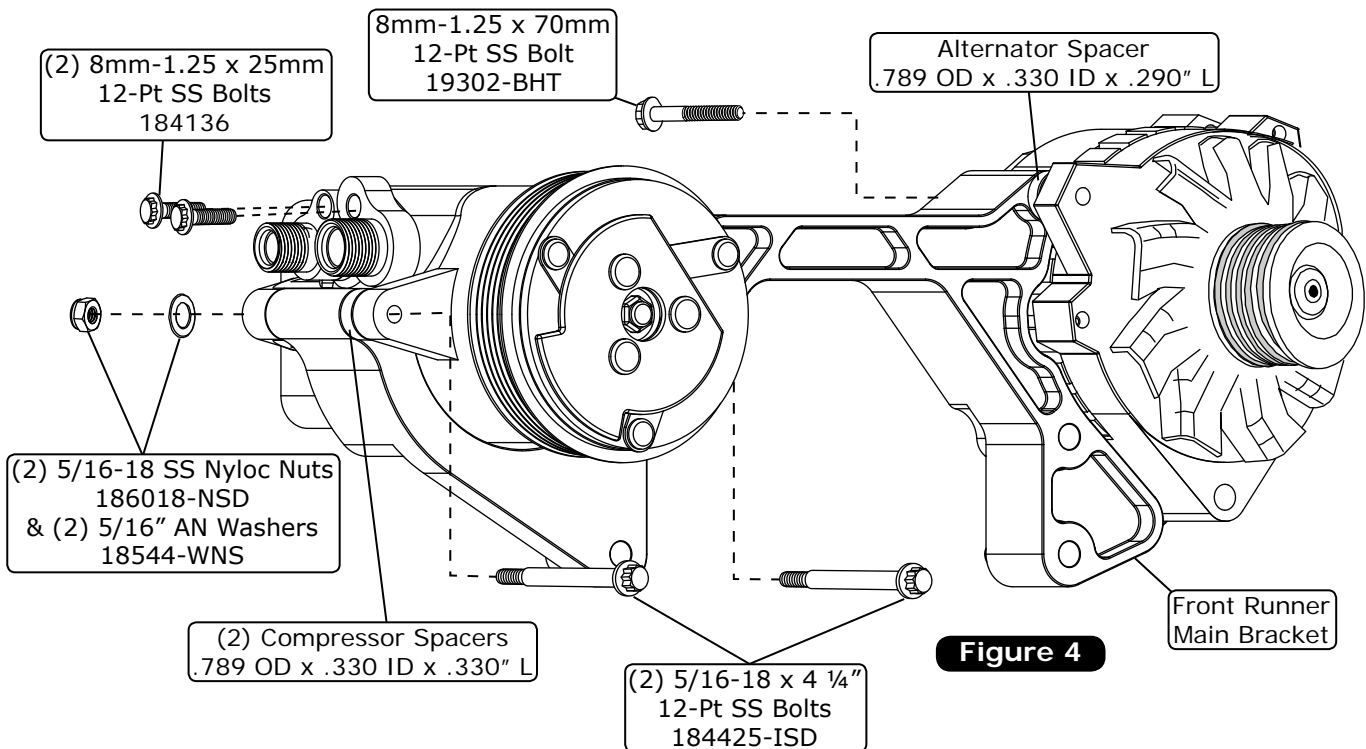
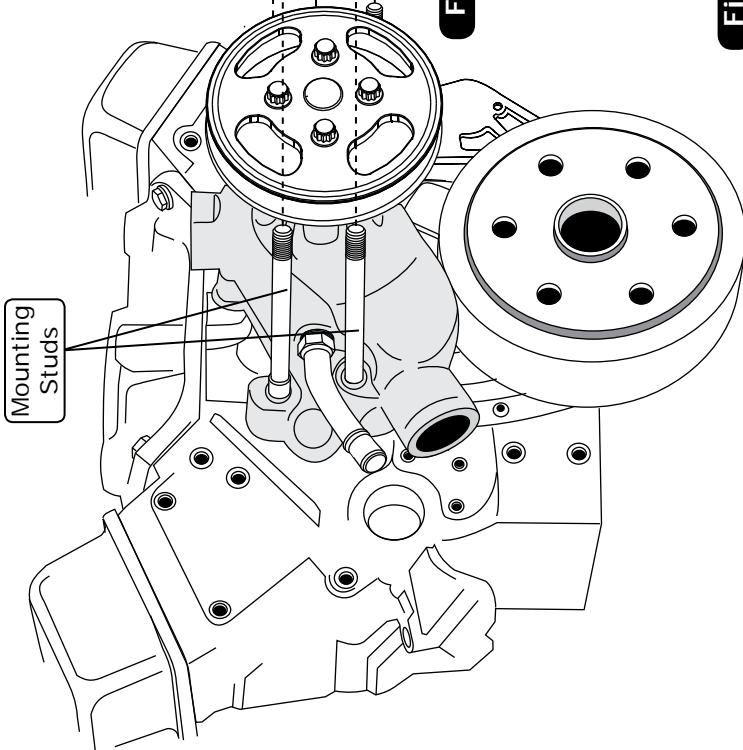
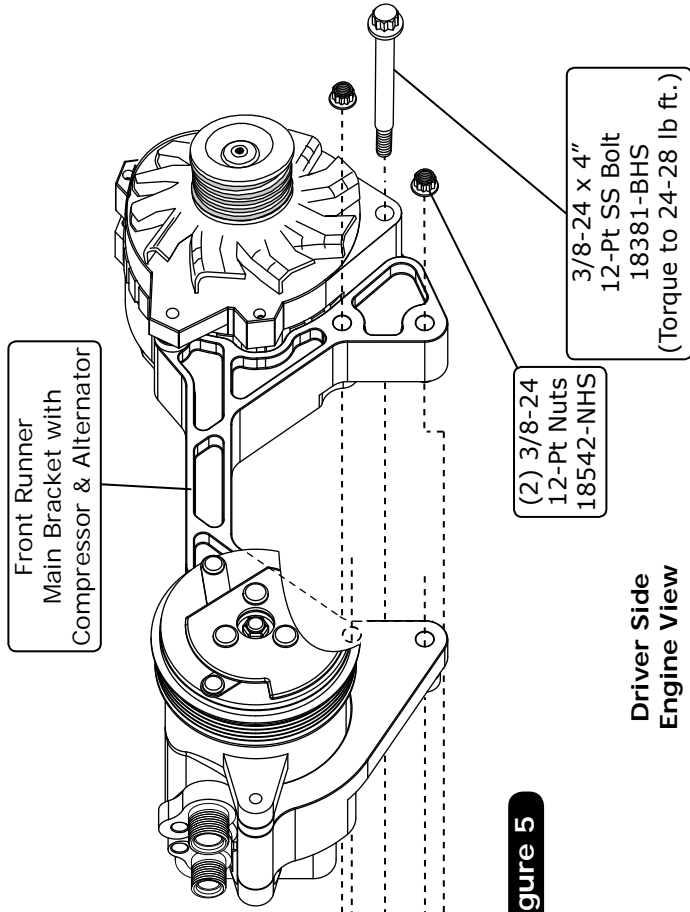


Figure 4

Front Runner Main Bracket Assembly Installation

1. Slide the Front Runner main bracket assembly over the water pump mounting studs (See Figure 5, Page 10).
2. Secure the driver side of the assembly using (2) 3/8-24 12-Pt nuts (See Figure 5, Page 10).
3. Secure the alternator to the power steering bracket using a 3/8-24 x 4" 12-Pt SS bolt, a 3/8-24 SS nyloc nut and a 3/8" AN SS washer (See Figure 6, Page 10). Torque to 24-28 lb ft.

Main Bracket Assembly Installation (Cont).



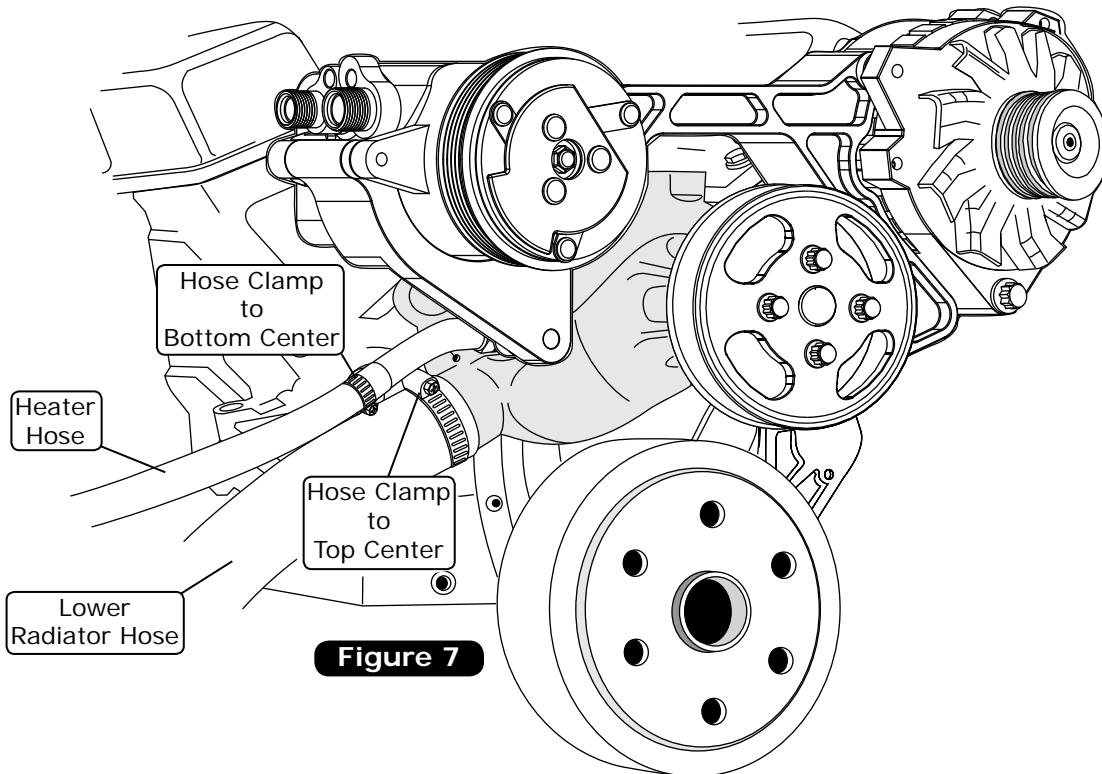
Mounting Studs



www.vintageair.com

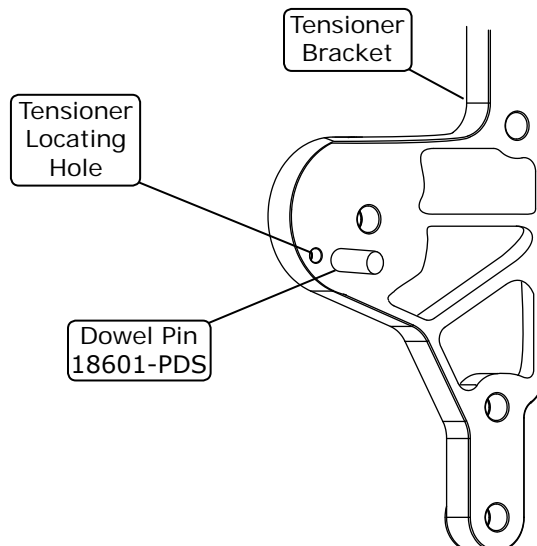
Heater Hose & Lower Radiator Hose Installation

1. Install the heater hose. **NOTE:** Hose clamp location and position should be as shown in Figure 7, below.
2. Install the lower radiator hose. **NOTE:** Hose clamp location and position should be as shown in Figure 7, below.



Dowel Pin Installation

1. Carefully install the dowel pin into the locating hole of the tensioner bracket (See Figure 8, below). **NOTE:** The dowel pin is a press fit. Use a hammer to carefully tap the dowel pin into the locating hole.





www.vintageair.com

Belt Tensioner Bracket Installation

1. Install the belt tensioner bracket onto the passenger side mounting studs (See Figure 9, below).
2. Place (2) tensioner standoffs between the engine block and the belt tensioner bracket as shown in Figure 9, below. Secure the bottom of the belt tensioner bracket using (2) 3/8-16 x 4 3/4" 12-Pt SS bolts. Secure the top of the belt tensioner bracket to the water pump mounting studs using (2) 3/8-24 12-Pt SS nuts. Torque the bolts and nuts to 30 lb ft. **NOTE: The tensioner standoffs fit into the counter bore on the back side of the tensioner bracket.**

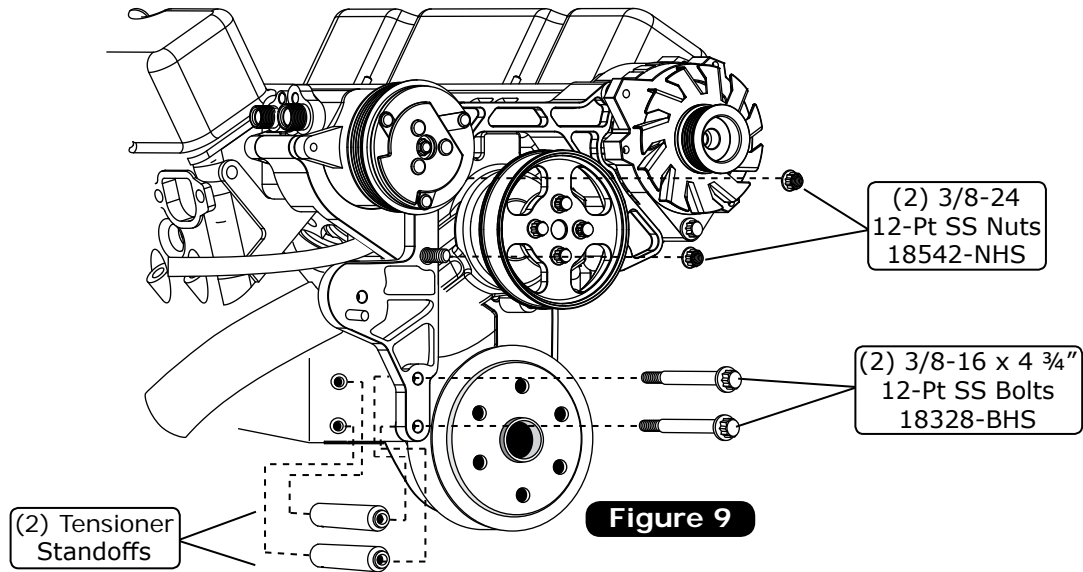


Figure 9

Belt Tensioner Installation

NOTE: Before installing the belt tensioner, see the instruction package included with the tensioner cover kit.

1. Install the tensioner spacer onto the back side of the belt tensioner (See Figure 10, below).
2. Install the belt tensioner with spacer through the belt tensioner bracket. **NOTE: Be sure to insert the dowel pin into the correct locating hole of the tensioner spacer (See Figure 10, below).** Secure the belt tensioner with spacer to the belt tensioner bracket using a 10mm-1.50 x 90mm SS hex bolt, (2) 10mm SS flat washers and a 10mm-1.50 SS nyloc nut (See Figure 10a, below). Torque to 21 ± 2 lb ft.

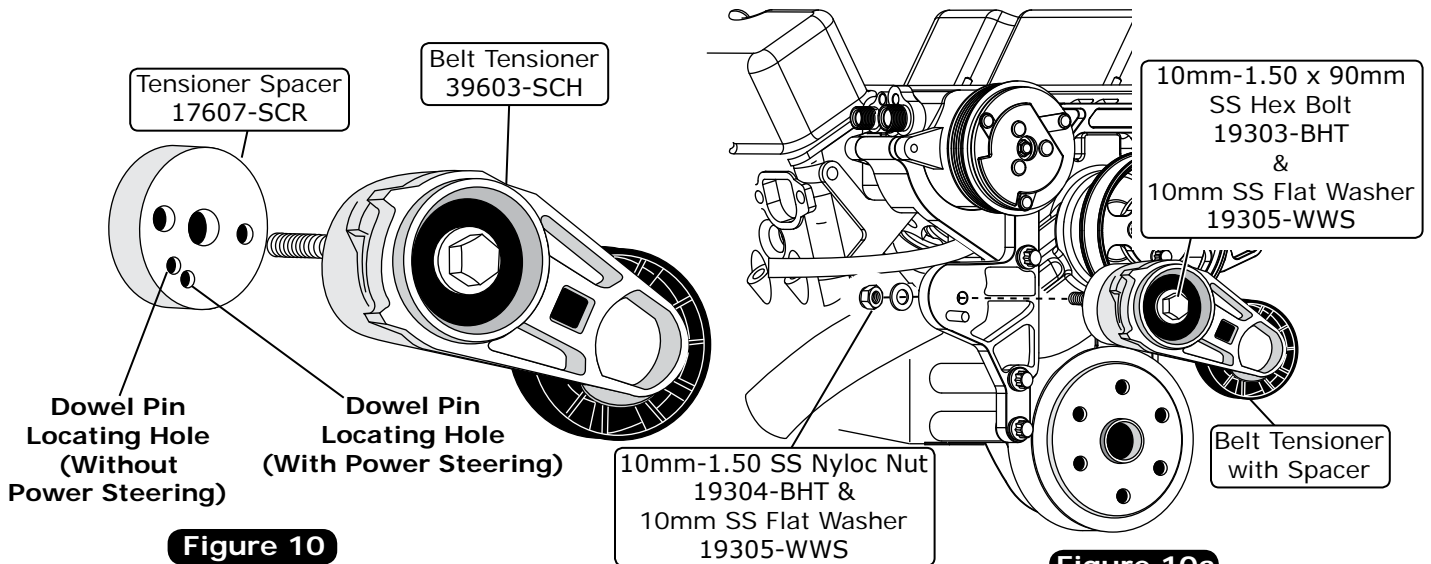


Figure 10

Figure 10a



www.vintageair.com

Crankshaft Pulley Installation

1. Install the crankshaft pulley onto the harmonic balancer using (3) 3/8-24 x 1 1/4" 12-Pt SS bolts. Torque to 25 lb ft. Secure the crankshaft pulley to the crankshaft snout with a hat washer and a 7/16-20 x 3" SS hex bolt (See Figure 11, below). Torque to 85 lb ft.

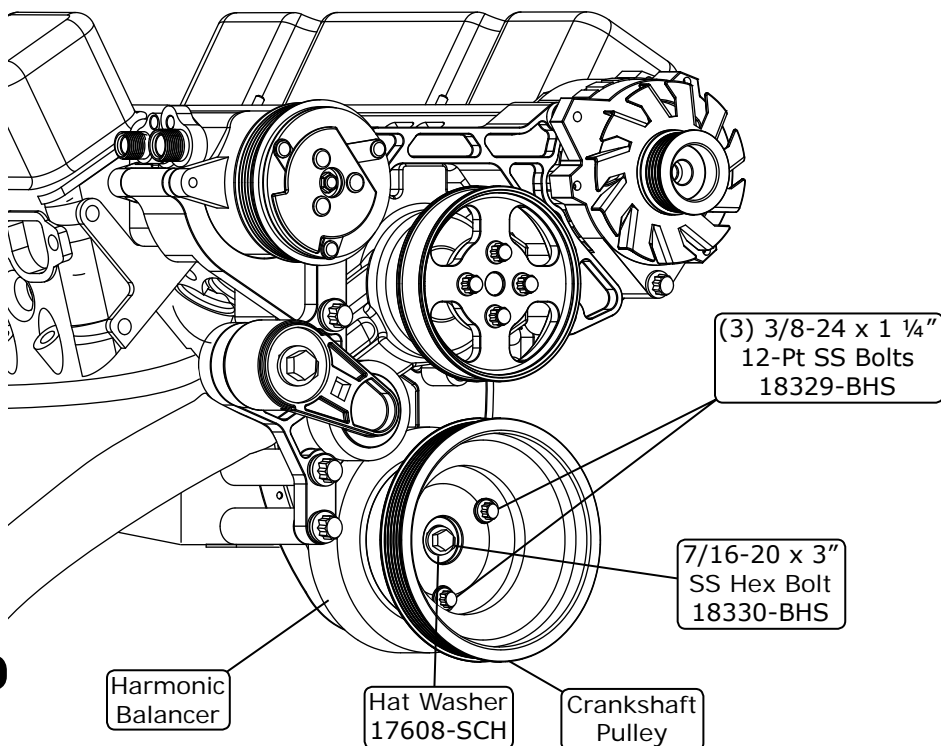


Figure 11

Power Steering Pump Installation (If Equipped)

WARNING: The pulley must be installed with the proper tool (K-D Tool #2897 or equivalent). Do not attempt to hammer or press the pulley onto the power steering pump shaft! Failure to use the proper tool will destroy the pump.

NOTES:

- Some Type-II GM power steering pumps (non-Vintage Air pumps only) have threaded mounting bases. These must be drilled out to allow the Front Runner mounting bolts to pass through the holes and thread into the bracket (See Figure 12, Page 14).
 - A high-pressure fitting (not included with this kit) is required for hose connection. Several options are available through Vintage Air (See Additional Parts & Accessories on Page 3 of this instruction booklet).
 - TC power steering pump flow rate is 3.0 to 3.4 gallons per minute at 1500 RPM. For rack-and-pinion systems that require a lower flow rate, a flow control valve (Vintage Air Part # 852001) may be purchased to reduce the flow to 2.0 GPM (See Additional Parts & Accessories on Page 3). Consult with the rack manufacturer to determine flow rate requirements.
 - To ensure the functionality and longevity of the power steering pump, proper bleeding of the system is required at the time of installation. See the attached document for power steering system bleeding instructions.
1. Using a power steering pump pulley installer, install the power steering pulley onto the power steering pump (See Figure 12, Page 14).
 2. Install the power steering pump using (2) 5/16-18 x 2 3/4" 12-Pt SS bolts (See Figure 12, Page 14). Torque to 28 lb ft.

Power Steering Pump Installation (Cont.)

WARNING: The pulley must be installed with the proper tool (K-D Tool #2897 or equivalent). Do not attempt to hammer or press the pulley onto the power steering pump shaft! Failure to use the proper tool will destroy the pump.

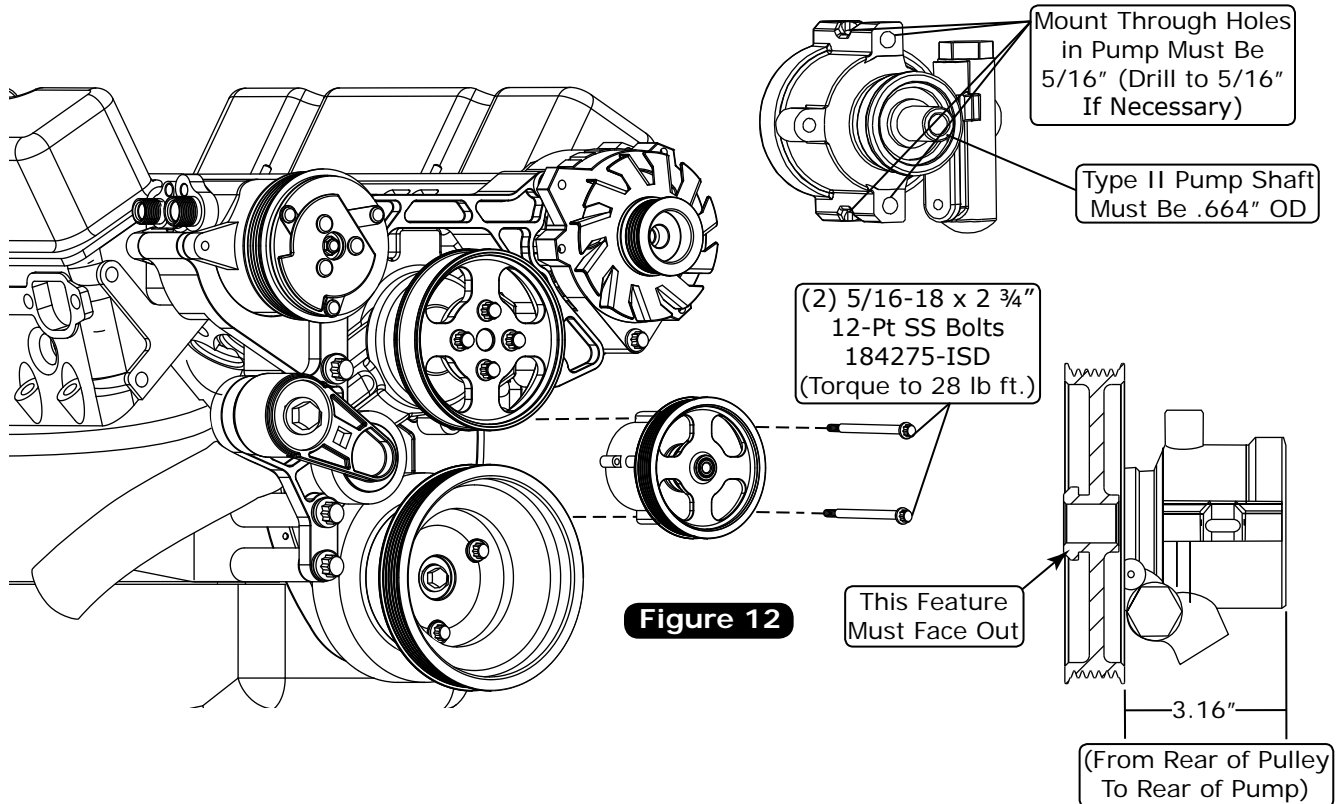


Figure 12

Belt Installation (With Power Steering)

1. Insert a 1/2"-drive ratchet or breaker bar into the socket on the tensioner, and rotate it clockwise to the tensioner stop. Route the belt around the crankshaft pulley, power steering pulley and alternator, and over the compressor. Finally, pull the belt down and slide it under the water pump pulley (See Figure 13, below).

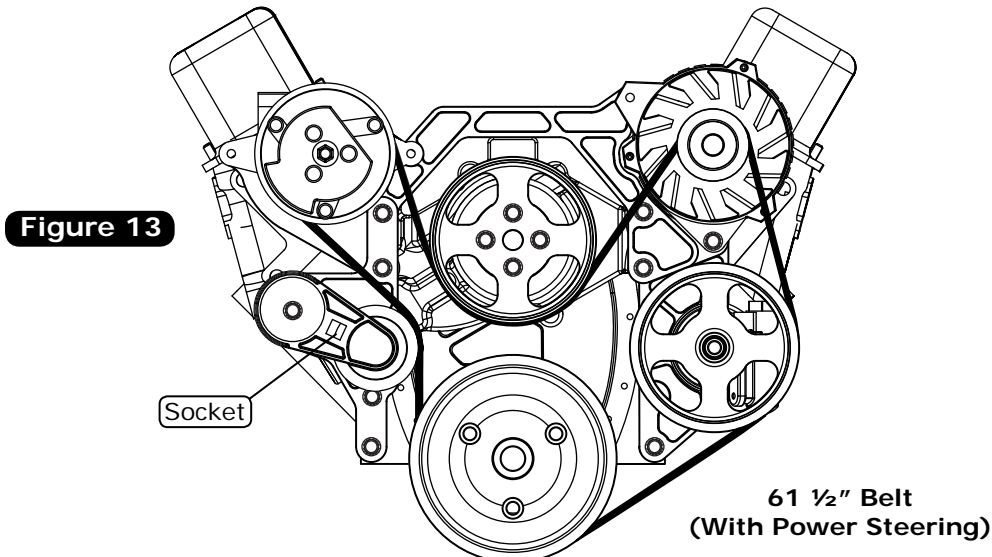


Figure 13

61 1/2" Belt
(With Power Steering)



www.vintageair.com

Belt Installation (Without Power Steering)

1. Insert a 1/2"-drive ratchet or breaker bar into the socket on the tensioner, and rotate it clockwise to the tensioner stop. Route the belt around the crankshaft pulley and alternator, and over the compressor. Finally, pull the belt down and slide it under the water pump pulley (See Figure 14, below).

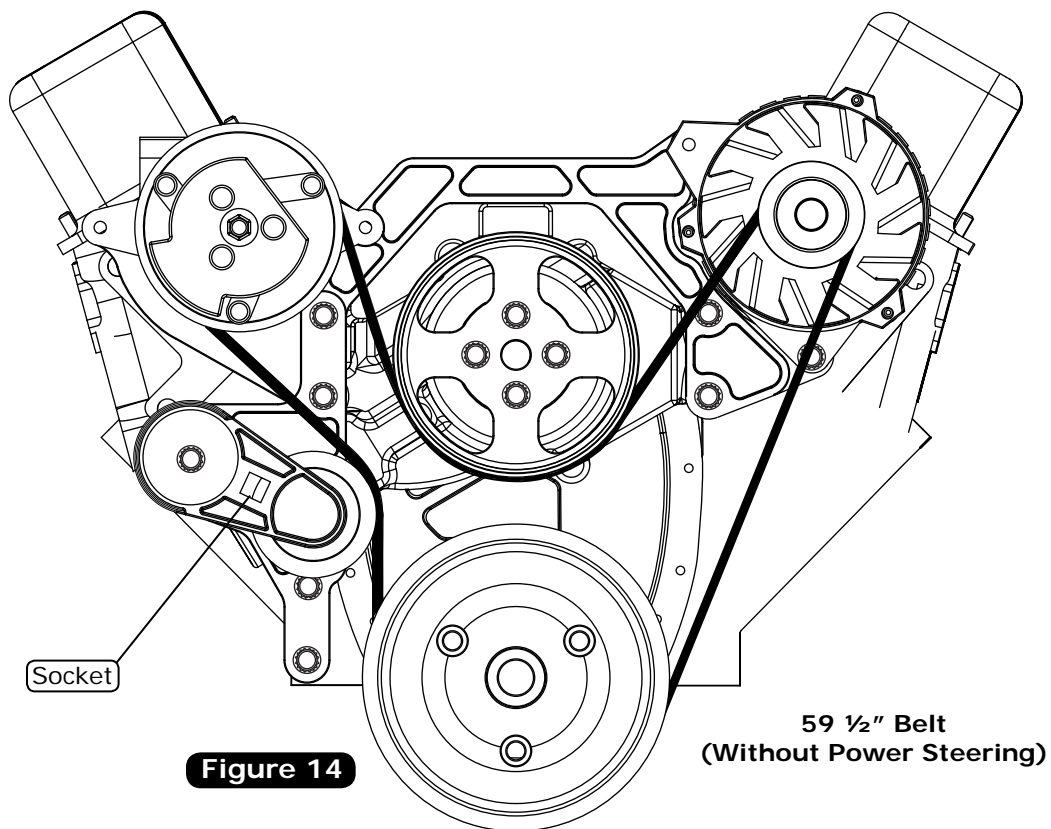


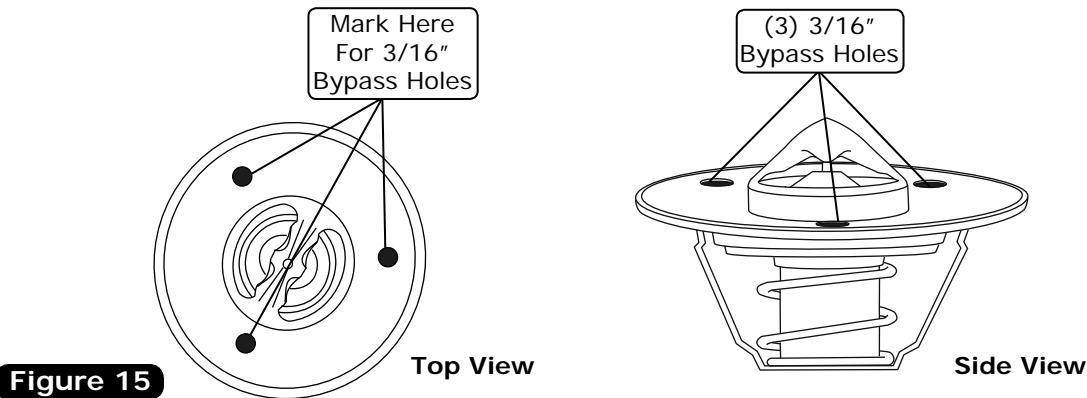
Figure 14



www.vintageair.com

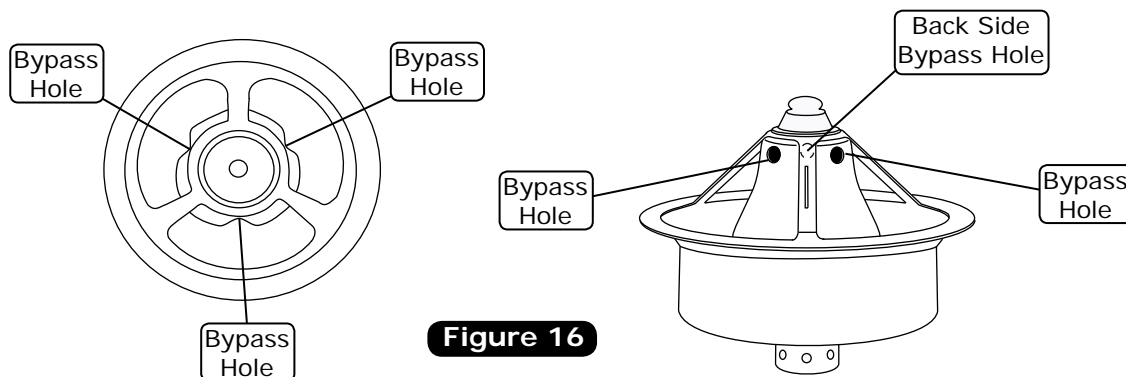
Stock Thermostat Modification

1. If you have chosen to modify the stock thermostat, mark (3) bypass holes. Space the bypass holes evenly around the top of the thermostat (See Figure 15, below).
2. Using a 3/16" drill bit, drill (3) 3/16" bypass holes in the stock thermostat (See Figure 15, below). **NOTE: Be sure to remove any remaining metal shavings before installing the thermostat.**



Stewart High-Performance Thermostat

1. A Stewart high-performance thermostat (available from Stewart) comes with the bypass holes pre-drilled (See Figure 16, below).



Final Steps

1. Reinstall all previously removed items (radiator, fan blade, radiator hoses, etc).
2. Reconnect all electrical connectors. **NOTE: Charging system must be properly wired to accept one-wire internally regulated alternator.**
3. Connect negative battery cable.
4. Fill radiator with at least a 50/50 mixture of approved antifreeze and distilled water. It is the owner's responsibility to keep the freeze protection at the proper level for the climate in which the vehicle is operated. Failure to follow antifreeze recommendations will cause heater core to corrode prematurely and possibly burst in A/C mode and/or freezing weather, voiding your warranty.
5. Double check all fittings, brackets and belts for tightness.
6. Vintage Air recommends that all A/C systems be serviced by a licensed automotive A/C technician.
7. To ensure the functionality and longevity of the power steering pump, proper bleeding of the system is required at the time of installation. See the attached document for power steering system bleeding instructions.
8. Evacuate the system for a minimum of 45 minutes prior to charging, and perform a leak check prior to servicing.
9. Charge the system to the capacities stated on Page 4 of this instruction manual.



www.vintageair.com

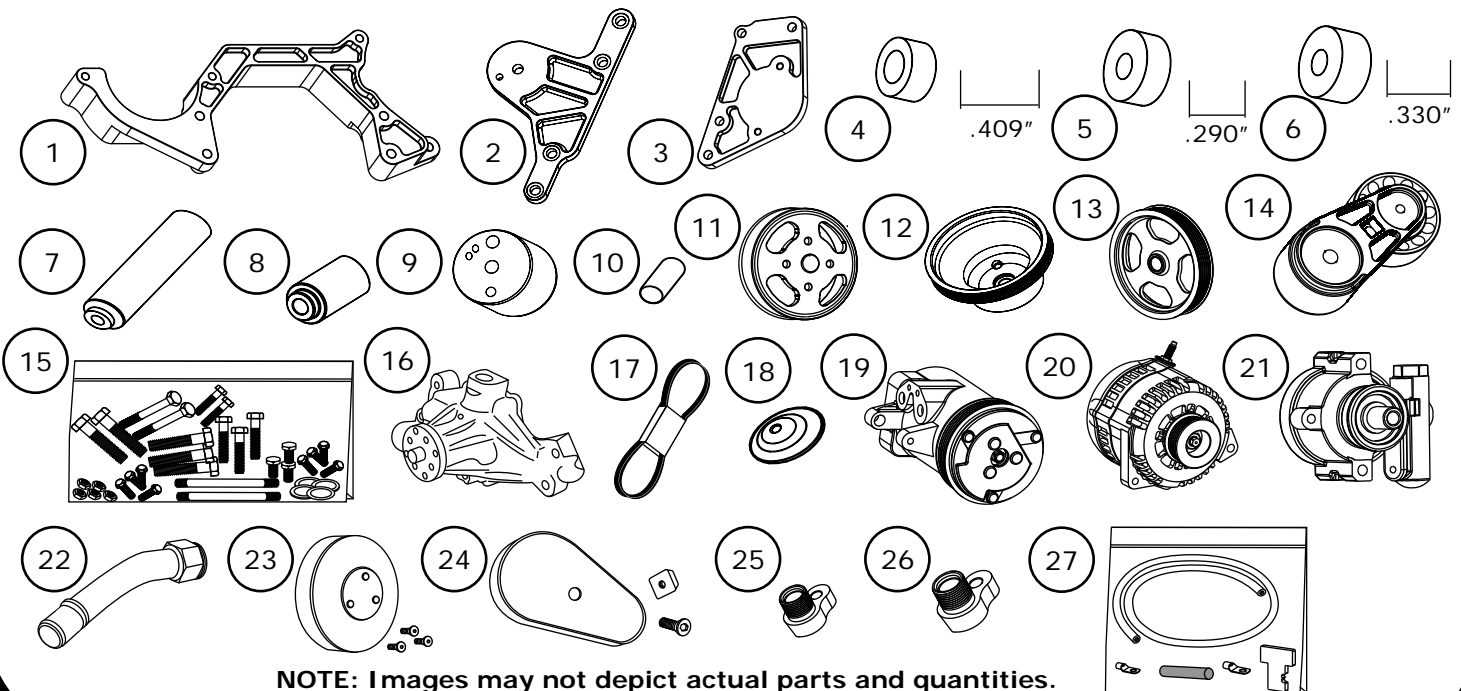
Packing List:

Anodized Chrome Front Runner™ Kit (174024)

Small Block Chevrolet with Power Steering

No.	Qty.	Part No.	Description
1.	1	17631-SCH	Bracket, Main, Anodized
2.	1	17632-SCH	Bracket, Tensioner, Anodized
3.	1	17633-SCH	Bracket, Power Steering, Anodized
4.	4	18021-SCH	Spacer, .409" Length, Anodized
5.	1	18022-SCH	Spacer, .290" Length, Anodized
6.	2	18023-SCH	Spacer, .330" Length, Anodized
7.	2	17625-SCH	Standoff, Tensioner, Anodized
8.	2	17626-SCH	Standoff, Power Steering Bracket, Anodized
9.	1	17607-SCR	Tensioner Spacer
10.	1	18601-PDS	Dowel Pin, 1/4" x 3/4"
11.	1	73321-SCH	Pulley, Water Pump, Hardcoat
12.	1	73312-SCH	Pulley, Crankshaft/Harmonic Balancer, Hardcoat
13.	1	733002-PFH	Pulley, Power Steering, Hardcoat
14.	1	39603-SCH	Tensioner
15.	1	18901-HKT	Hardware Kit
16.	1	72111-SCR	Water Pump with 5/8" Pilot (Reverse Rotation)
17.	1	726150-MUR	Belt, 61 1/2" Serpentine
18.	1	17608-SCH	Washer, Hat
19.	1	046770	Compressor, 6.1 CID Drilled Multi-Groove, Chrome
20.	1	042909	Alternator, 170-Amp, Chrome
21.	1	851001	Power Steering Pump with Integrated Reservoir
22.	1	501011	Heater Fitting, 5/8" x 1/2" NPT x 4 1/2", 45°
23.	1	044093	Clutch Cover Assembly, Anodized
24.	1	044091	Tensioner Cover Assembly, Anodized
25.	1	045011	Fitting, #8 Compressor, Polished
26.	1	045012	Fitting, #10 Compressor, Polished
27.	1	220013	Alternator Cable Kit

Checked By: _____
 Packed By: _____
 Date: _____



**NOTE: Images may not depict actual parts and quantities.
 Refer to packing list for actual parts and quantities.**