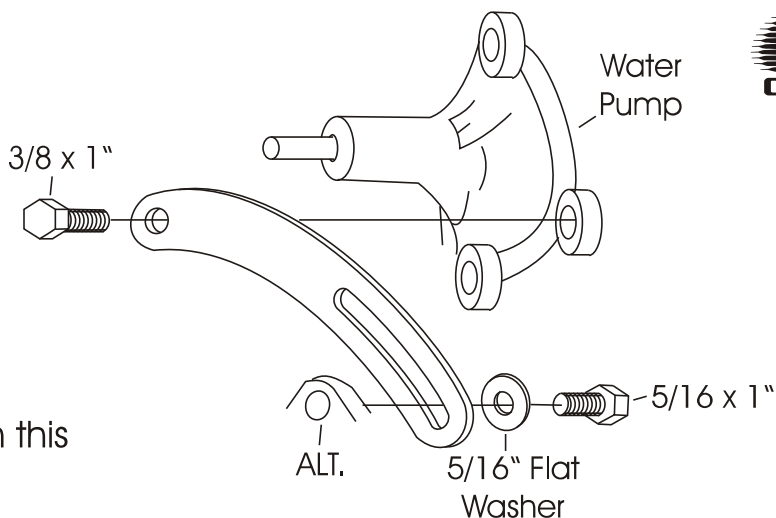


ALTERNATOR MOUNT

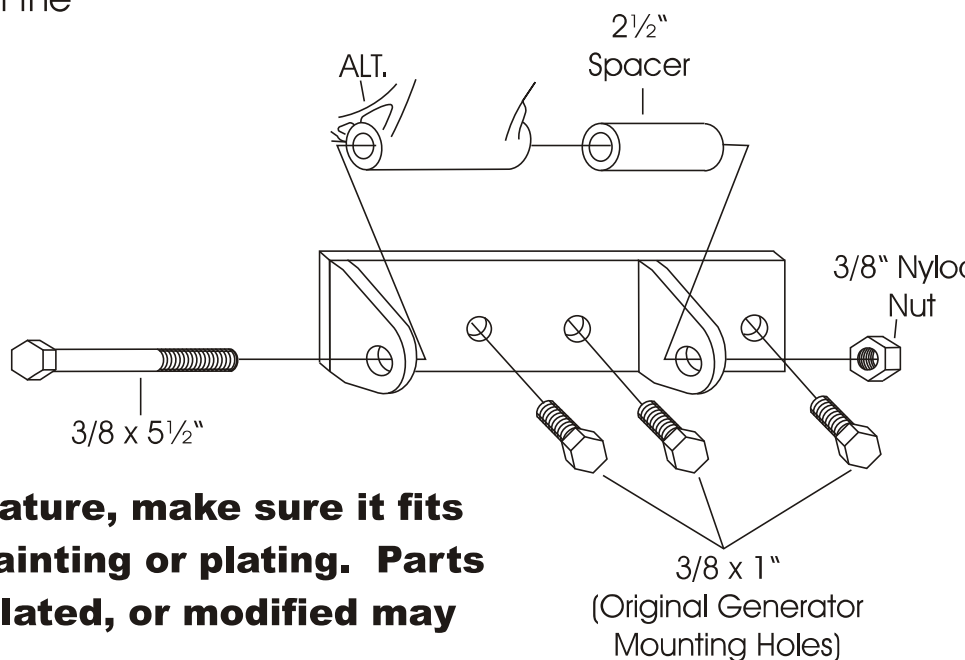
224L

1955-62 - 235 Cu. In.
6 Cylinder Chevy



We use a belt length of 40-40½" with this mount on installations in our shop.

Note: This bracket was designed so that it may be used with the factory 55-57 motor mount that fits between the alternator mounting tabs.



As with any part of this nature, make sure it fits your application before painting or plating. Parts that have been painted, plated, or modified may not be returned.

ALTERN

MOU

224

1955-62 - 23

6 Cylinder

ALAN GROVE COMI

27070 METCA

LOUISBURG,