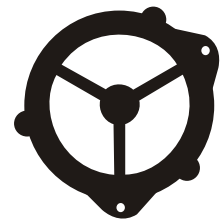
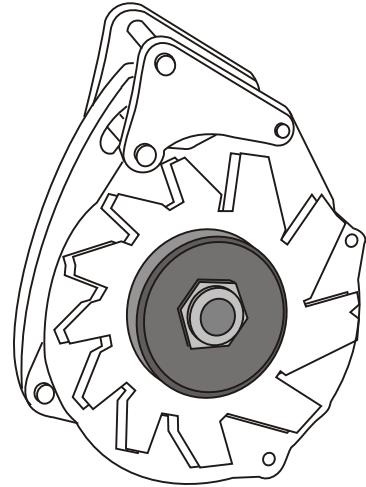
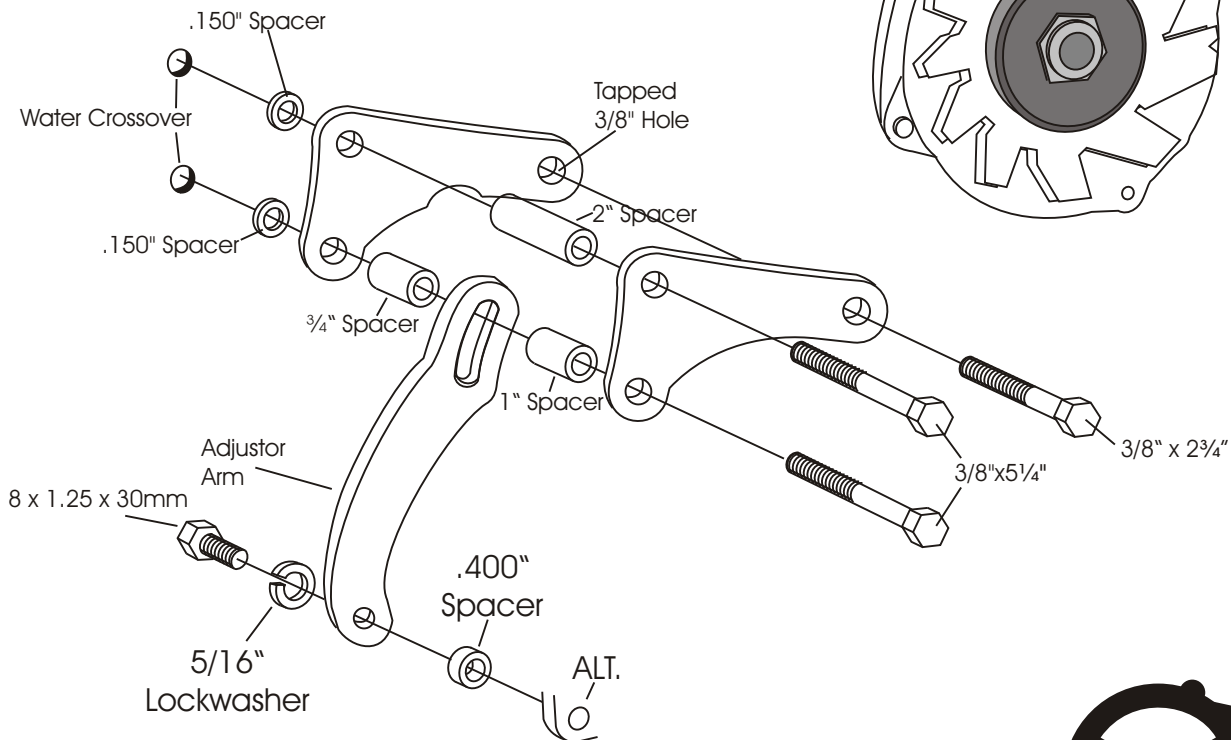


# MID-MOUNT ALTERNATOR BRACKET 239L

Buick Nailhead 401/425  
Driver's Side



This bracket is designed to be used with the small CS 130 G.M. Alternators with the threaded mounting ear in the 2 o' clock position.

(We use a belt length of 41 1/4 to 42" with this mount on installations in our shop. However; this can vary with the diameter of your pulleys.)

**As with any part of this nature, make sure it fits your application before painting or plating. Parts that have been painted, plated, or modified may not be returned.**

MID-MOUNT  
ALTERNATOR  
BRACKET  
239L

Buick Nailhead 401/425  
Driver's Side

**ALAN GROVE COMPONENTS, INC.**  
**27070 METCALF ROAD**  
**LOUISBURG, KS 66053**