

## BROMPTON SEATPOST BUNG

### FEATURES

- Compatible with all steel and titanium seatposts
- Easy to fit
- 34g lighter than old design
- Simple one part design

Fig. 2

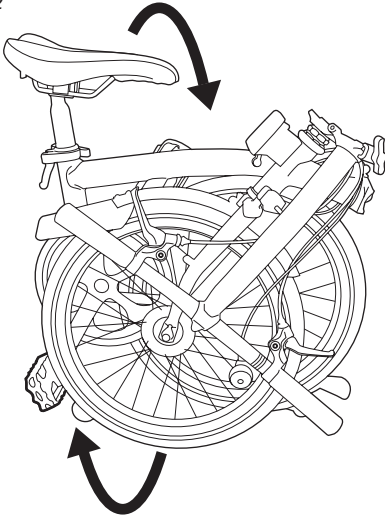
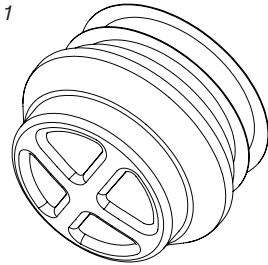


Fig. 1



### FITTING

The new bung (fig. 1) can be fitted without tools and is compatible with all configurations of bike. It is easiest to remove the bung while the bike is folded (fig. 2), carefully lift the bike onto a suitable bench or table and then gently put the bike onto its side, so that the bottom of the post is accessible.

If fitted, remove the old bung (fig. 3) by loosening the centre bolt (5mm hex) by several turns and pushing it into the bung. This will release the clamping cone and allow you to pull the bung from the bottom of the tube.

Fit the new bung by simply pressing the ribbed end into the bottom of the seatpost as shown (fig. 4) making sure that the ribbed section is inserted all the way up to the edge. Once fitted you can use the bike as normal.

Fig. 3

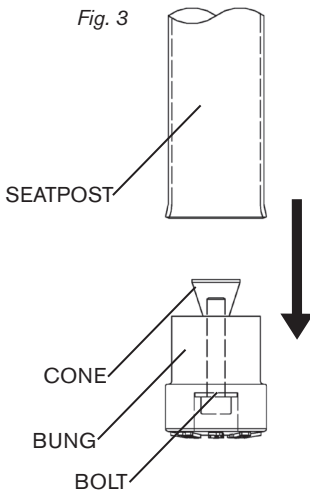


Fig. 4

