



PENTACLIP & SADDLE FITTING AND ADJUSTMENT

Important information

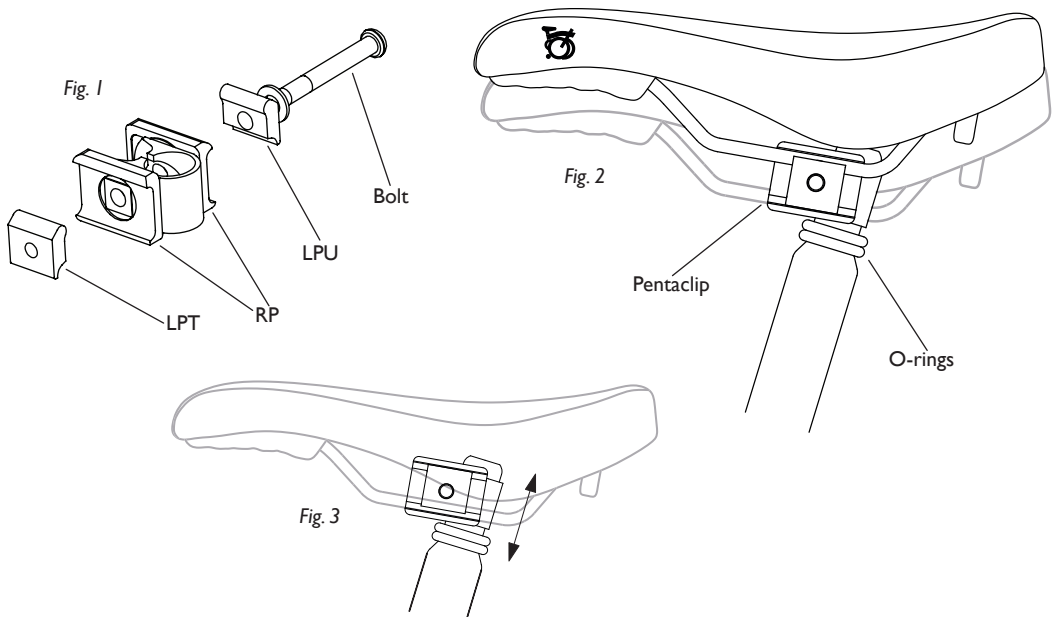
- If you are unsure of the correct fitting process please consult your Brompton dealer. We cannot accept responsibility for any failures due to incorrect fitting or maintenance
- For the Pentaclip to function properly it is important that the plates are clean and free of grease; the bolt thread should be greased and the plates MCP must be in the correct orientation
- The Pentaclip is designed for round rail saddles with a rail spacing of 43mm (centre to centre) and a diameter of 7mm. It will cope with a reasonable variation but if the rails are closer together the Pentaclip may feel stiff when adjusted

Should you require more information, please see www.brompton.com

Fitting Pentaclip to saddle

Unscrew the bolt from the threaded part LPT, ensuring you are holding the two parts RP together and slide bolt, washer and part LPU out together (fig. 1). Refit the bolt, washer and LPU.

The Pentaclip allows two saddle heights (fig. 2). In the upper position you gain about 20mm but this will make the folded bike larger. The clamp band can also be rotated to give a forward or rearward position. The lower and forward position with the saddle pushed forward on its rails gives the smallest folded package.



Slide the Pentaclip onto the seatpost, positioning it about halfway up the small diameter part of the seatpost (fig.3) to ensure enough clearance from the saddle to the seatpost.

Adjusting the saddle position

The angle and fore-aft position of the saddle can both be adjusted. To establish the most comfortable position you should start by adjusting the saddle into a neutral position; you can then work from there to find the best position for you.

First loosen the saddle clamp bolt using a 5mm hex key until the saddle can be moved with little force. Be careful not to loosen this bolt too much as this will make adjustment more difficult.

Move the saddle rails in the clamp so that they are roughly centred (half way between maximum fore and aft position). Adjust the saddle into a level position, so that the top surface of the saddle is roughly level between the front and rear edge. Once the saddle is in a neutral position, tighten the Pentaclip bolt to 15Nm.

Ride the bike to test the saddle position, you can adjust it to make it more comfortable if necessary.

Angle

If the nose feels like its pointing up, or you feel as though the back of the saddle isn't giving you enough support, you might wish to angle the saddle forward.

The saddle could conversely feel like it needs tilting back a little, to give more support from the nose, or if you feel like all your weight is resting on the back of the saddle.

Once you have adjusted the saddle, tighten the Pentaclip bolt and spend some time riding, readjusting if necessary.

Fore-aft position

Moving the saddle back and forth from the neutral middle position will not only affect the reach (to the handlebar) but also your position relative to the pedals. By moving the saddle back you will increase the reach to the bars and make the bike a little more stretched out. Moving the saddle forward will make the bike feel shorter and more upright.

Once you have adjusted the saddle, spend some time riding and readjust if necessary. When adjusting the saddle position, make sure you securely tighten the Pentaclip to 15Nm.

Fig. 5

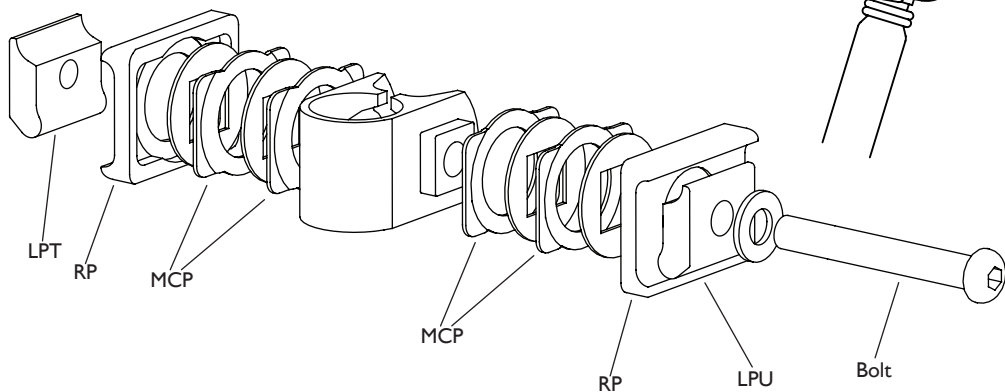
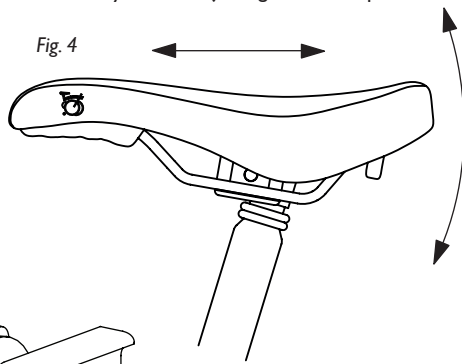


Fig. 4



If plates do come apart the Pentaclip can be reassembled in the order shown (fig. 5). Plates MCP should be fitted with the formed 'ears' offset towards the outside of the bike (in order to engage fully with the rail-plates RP).