

R



Electric Coffee and Spice Grinder

USER CARE AND INSTRUCTION MANUAL

Thank you for purchasing the **RICARDO** electric coffee and spice grinder. Before using this product, please read the user care and instruction manual carefully.

IMPORTANT SAFEGUARDS

.....

When using electrical appliances, basic safety precautions should always be followed to prevent fire, electric shock, serious personal injury and/or property damage, including the following.

READ ALL INSTRUCTIONS CAREFULLY BEFORE FIRST USE.

- ::: This appliance is not a toy and should not be used by children. Keep appliance and its cord out of the reach of children and pets. Close adult supervision is necessary when any appliance is used near children.
- ::: Always place the appliance on a flat, stable and heat-resistant surface. Do not use the appliance on temperature sensitive surfaces.
- ::: Do not place the appliance on or near a hot gas or electric burner or in a heated oven or microwave oven.
- ::: Keep away from curtains, wall coverings, clothing, dish towels or other flammable materials. Ensure there is sufficient space surrounding the appliance
- ::: This appliance is intended for household use only. Do not use outdoors.
- ::: **CAUTION** Blades are sharp. Handle and clean with care.
- ::: Always make sure the lid is securely closed during use. Do not attempt to override the locking mechanism of the lid.
- ::: Do not use as a meat grinder or a food processor. Do not grind liquids.
- ::: Do not operate the grinder if empty.
- ::: Avoid contact with moving parts to prevent personal injury or damage to the appliance.
- ::: Do not use the appliance for anything other than its intended use. Do not use attachments or accessories that are not recommended or sold by the manufacturer.
- ::: If this appliance begins to malfunction during operation, immediately unplug the cord from the outlet.
- ::: Do not let the power cord hang (over the edge of a table or counter) to avoid tripping. Do not let the power cord touch hot surfaces.
- ::: Do not operate the appliance with a damaged cord or plug, after the appliance malfunctions or has been damaged in any manner. Do not attempt to repair this product yourself. If there is a problem, please call 1-866-226-9222.
- ::: To protect against electrical shock, never immerse the appliance, the power base, the power cord or the plug in water or other liquid.
- ::: Do not plug or unplug the product into/from the electrical outlet with wet hands.
- ::: Use the provided plug only.
- ::: Connect the power plug to an easily accessible outlet so that the appliance can be unplugged immediately in the event of an emergency.

- ::: The cord for this appliance should be plugged into a 120 V AC electrical wall outlet.
- ::: Do not leave the appliance unattended. Always make sure the motor has stopped completely, and the appliance is unplugged from the electrical outlet before cleaning or when not in use. To unplug, grasp the plug and pull it from the electrical outlet. Never pull the cord.
- ::: The device must not be operated via an external timer or remote control.

SAVE THESE INSTRUCTIONS - FOR HOUSEHOLD USE ONLY

NOTES ON THE PLUG

.....

For safety reasons, this appliance has a polarized plug (one blade is wider than the other). To reduce the risk of electric shock, this plug can only be inserted one way into the electrical outlet. If the plug does not fit correctly into the outlet, reverse the plug and insert into the outlet. If it still does not fit, contact a qualified electrician for further assistance. Do not attempt to modify the plug in any way.

NOTES ON THE CORD

.....

A short power-supply cord is provided to reduce risks resulting from becoming entangled in or tripping over a longer cord. Longer extension cords are available and may be used if care is exercised in their use.

IF AN EXTENSION CORD IS USED:

- ::: The marked electrical rating of the extension cord should be at least as great as the electrical rating of the appliance.
- ::: If the appliance is of the grounded type, the extension cord should be a grounding type 3-wire cord.
- ::: The longer cord should be arranged so that it will not drape over a countertop or tabletop where it can be pulled on.

ELECTRIC POWER

.....

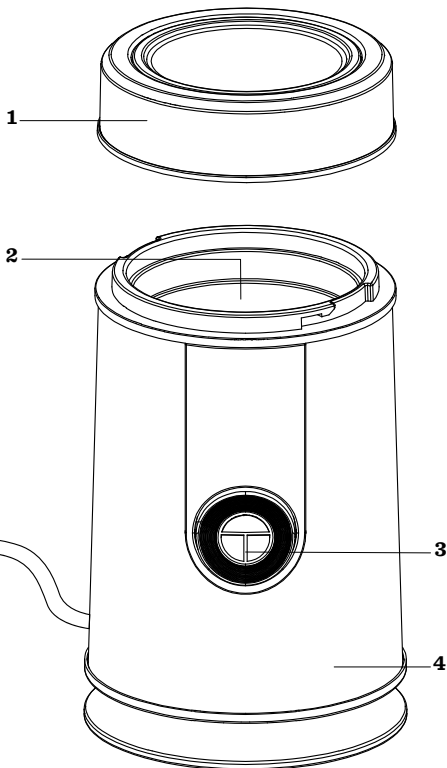
If the electrical circuit is overloaded with other appliances, the appliance may not operate properly. It should be plugged into a separate electrical circuit.

TECHNICAL DATA

.....
Main voltage: 120 V / Frequency: 60 Hz / Power consumption: 200 watts

PARTS IDENTIFICATION

.....
Product may vary slightly from diagram.



- 1.** clear lid
- 2.** stainless steel blade
- 3.** on/off button
- 4.** motor body

BEFORE FIRST USE

.....

- 1- Read all instructions and important safeguards.
 - 2- Remove all packaging materials and ensure that all items have been received in good condition.
 - 3- Tear up all plastic bags as they can pose a risk to children.
 - 4- Do not plug the appliance into an electrical outlet before it is ready to be used.
 - 5- Wipe the appliance with a soft damp cloth. Dry thoroughly. **Blades are sharp, handle with care.** NEVER IMMERSE the appliance, the power cord, or the power plug in water or any liquid. Wash the lid in warm, soapy water. Rinse and dry thoroughly. The lid is dishwasher safe on the top rack.
- NOTE:** Do not use abrasive cleaners or scouring pads or any other object that could scratch.

USING THE ELECTRIC COFFEE AND SPICE GRINDER

.....

During first use of the appliance, smoke and/or a slight odour may occur from the appliance because of the initial warming process of the materials. This is normal and will quickly disappear. It will not recur after appliance has been used a few more times.

- 1- Place the appliance on a dry, flat surface.
- 2- Turn the lid counterclockwise and remove by lifting up.
- 3- Add the desired ingredients into the container without exceeding 50 grams.
NOTE: Always use small pieces of spice, beans, or dried herbs. Do not grind anything liquid, gummy or oily. Never use it to chop ice cubes. Only grind dry, brittle foods.
- 4- Replace the lid onto the appliance and turn clockwise to lock it.
- 5- Plug the power cord into a standard 120 V AC wall outlet.
- 6- Press and hold the power button until the desired level of grinding is obtained:
::: For a coarse grind: continuously hold down the power button for 5-8 seconds
::: For a medium grind: continuously hold down the power button for 10-12 seconds
::: For a fine grind: continuously hold down the power button for 15-20 seconds
Grinding times will vary by amount. Taste the result and adjust accordingly.
- 7- Once the desired consistency has been obtained, unplug the appliance.
- 8- Remove the lid and pour out the contents.

CAUTION:

- ::: The appliance has a locking mechanism that prevents the appliance from operating and the blade from turning if the lid is not closed securely in place. Do not attempt operation without the lid.
- ::: Do not remove the lid until the blade has completely stopped. The consistency can be checked through the clear lid.
- ::: Do not operate the appliance for more than 1 minute continuously. Allow the appliance to rest 10 minutes between each use.
- ::: If the motor temperature of the electric coffee and spice grinder reaches 85°C, it will automatically switch off to prevent burning. If this occurs, unplug the cord and allow the appliance to cool down before using it again.

HELPFUL TIPS

- ::: To preserve the flavor and aroma of whole coffee beans and spices, place them in an airtight container.
- ::: To obtain the freshest and tastiest coffee, grind only the amount of coffee needed at the time.
- ::: Residues left in the grinder can become stale and affect the flavor. To remove odors from the grinder, grind a tablespoon of baking soda and wipe the interior thoroughly.

CLEANING

.....

IMPORTANT: Unplug and ensure the blade has stopped rotating before handling or cleaning the appliance.

- ::: This appliance should be cleaned thoroughly following every use.
- ::: NEVER IMMERSE the appliance, the power cord or the power plug in water or any liquid.
- ::: Use a small soft bristled brush to clean the interior and remove grounds underneath the grind blade. Wipe the interior and exterior with a soft damp cloth. Dry thoroughly.
- ::: Wash the lid in warm, soapy water. Rinse and dry thoroughly. The lid is dishwasher safe on the top rack.
- ::: **CAUTION** The blades are sharp, handle with care when cleaning.

NOTE: Do not use abrasive cleaners or scouring pads or any other object that can scratch the surface

STORAGE

.....

Ensure all pieces are clean and dry before storing. Store appliance in a dry, clean place. When not in use, the power cord may be wrapped on the bottom of the appliance. Never wrap the cord tightly as this could place undue stress on the cord where it connects to the appliance, causing it to fray and break. Keep it loosely coiled.

2-YEAR LIMITED WARRANTY

.....

This warranty covers any defects in materials and workmanship for a period of two (2) years from the date of the original purchase. Please retain your original receipt as a proof of the purchase date. Any complaints must be registered within the warranty period. The product will be repaired, replaced (parts or entire appliance) or refunded at our sole discretion. Shipping charges may apply.

This warranty does not cover normal wear of parts or damage resulting from any of the following: negligent use or misuse of the product including failure to clean the product regularly, use for commercial purposes, accident, use on improper voltage or current, use contrary to the operating instructions, disassembly, repair or alteration by anyone other than a **RICARDO** authorized service agent. Stains, discoloration and minor scratches on the inside and outside of the appliance constitute normal use, do not affect performance and are not covered by this warranty.

For assistance or general information regarding this product and the warranty, please contact our customer service:

::: by e-mail: kitchenproducts@ricardocuisine.com

::: by phone: 1-866-226-9222