



2-Slice Toaster

USER CARE AND INSTRUCTION MANUAL

Thank you for purchasing the **RICARDO** 2-slice toaster. Before using this product, please read the user care and instruction manual carefully.

IMPORTANT SAFEGUARDS

.....

When using electrical appliances, basic safety precautions should always be followed to prevent fire, electric shock, serious personal injury and/or property damage, including the following.

READ ALL INSTRUCTIONS CAREFULLY BEFORE FIRST USE.

- ::: This appliance should not be used by children. Keep appliance and its cord out of the reach of children and pets. Close adult supervision is necessary when any appliance is used near children.
- ::: Do not let the power cord to hang (over the edge of a table or counter) to avoid tripping and possibly cause burns or injuries. Do not let the power cord touch hot surfaces.
- ::: Do not operate the appliance with a damaged cord or plug, after the appliance malfunctions or has been damaged in any manner. Do not attempt to repair this product yourself. If there is a problem, please call 1-866-226-9222.
- ::: **ATTENTION** Burn hazard! The appliance becomes hot during use. Do not touch hot surfaces. Use protective oven mitts to avoid burns or serious personal injury. Use handles or knob only.
- ::: Keep away from curtains, wall coverings, clothing, dish towels or other flammable materials. Ensure there is sufficient space surrounding the appliance.
- ::: Always place the appliance on a flat, stable and heat-resistant surface. Do not use the appliance on temperature sensitive surfaces.
- ::: Do not use the appliance for anything other than its intended use. Do not use attachments or accessories that are not recommended or sold by the manufacturer.
- ::: To protect against electrical shock, never immerse the power cord, the plug, or the toaster in water or other liquid.
- ::: Do not place the appliance on or near a hot gas or electric burner or in a heated oven or microwave oven.
- ::: Do not leave the appliance unattended. Always unplug the appliance from the electrical outlet when not in use.
- ::: Do not plug or unplug the product into/from the electrical outlet with wet hands.
- ::: This appliance is intended for household use only. Do not use outdoors. Do not use appliance for anything other than its intended use.
- ::: Use the provided plug only.
- ::: Connect the power plug to an easily accessible outlet so that the appliance can be unplugged immediately in the event of an emergency.
- ::: The device must not be operated via an external timer or remote control.
- ::: Unplug appliance from the electrical outlet before cleaning and when not in use. To unplug, grasp the plug and pull it from the electrical outlet. Never pull cord.

::: Always turn off and unplug the appliance after use. Allow to cool down completely before relocating or cleaning the appliance.

::: The cord for this appliance should be plugged into a 120V AC electrical wall outlet.

SAVE THESE INSTRUCTIONS - FOR HOUSEHOLD USE ONLY

NOTES ON THE PLUG

.....

As a safety feature, the appliance is equipped with a grounded plug, which will only fit into a three-prong outlet. Do not alter the plug. Do not attempt to defeat this safety feature. Improper connection of the grounding conductor may result in the risk of electric shock. Contact a qualified electrician if there is doubt as to whether the outlet is properly grounded.

NOTES ON THE CORD

.....

The short power-supply cord provided should be used to reduce the risk resulting from becoming entangled in or tripping over a longer cord. Do not use an extension cord with this appliance.

ELECTRIC POWER

.....

If the electrical circuit is overloaded with other appliances, the appliance may not operate properly. It should be plugged into a separate electrical circuit.

TECHNICAL DATA

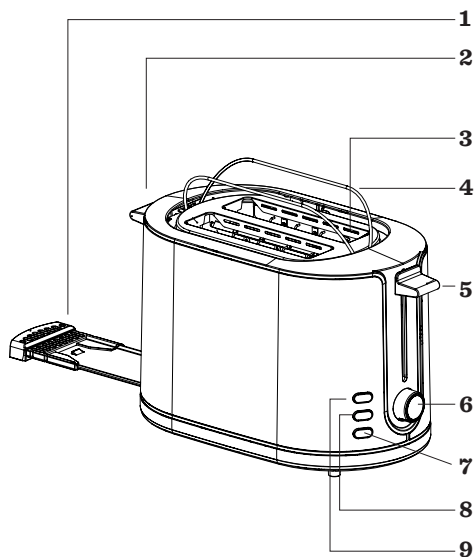
.....

Main voltage: 120V / Frequency: 60Hz / Power consumption: 800 watts

PARTS IDENTIFICATION

.....

Product may vary slightly from diagram.



- 1.** removable crumb tray
- 2.** warming rack handle
- 3.** bread slot
- 4.** warming rack
- 5.** toasting handle
- 6.** toasting level control knob
- 7.** cancel button
- 8.** reheat button
- 9.** defrost button

BEFORE FIRST USE

.....

- 1- Read all instructions and important safeguards.
- 2- Remove all packaging materials and ensure that all items have been received in good condition.
- 3- Tear up all plastic bags as they can pose a risk to children.
- 4- Do not plug the appliance into an electrical outlet before it is ready to be used.

USING THE TOASTER

.....

During first use of the appliance, smoke and/or a slight odour may occur from the appliance because of the initial warming process of the materials. This is normal and will quickly disappear. It will not recur after appliance has been used a few more times. For the first use, it is recommended to operate the toaster according to below steps without bread, then let the unit cool down and begin toasting with bread.

TOASTING

- 1- Place the toaster on a flat, dry, stable and heat-resistant surface.
- 2- Place the slice of bread into the bread slot, a maximum of two slices can be inserted at once. Only one regular slice of bread can be placed into each bread slot. **NOTE:** Ensure the crumb tray is well pushed in before using.
- 3- Plug the power cord into the outlet.
- 4- Set toasting level control knob to the desired level. There are 6 browning levels: the lowest "1" is for light and the highest "6" for dark. **NOTE:** Browning color for one slice of bread is darker than that for two slices at the same toasting level. If the toaster is used twice in consecutive cycles, the browning color on the second cycle will be darker than that of the first cycle at the same level.
- 5- Lower the toasting handle down vertically until it is latched into place, the CANCEL button will light up and the appliance will begin toasting. **NOTE:** The toasting handle can only be latched when the appliance is plugged in.
- 6- Once the bread is toasted to the set level, the toasting handle & toast will automatically pop up. **NOTE:** During toasting, CANCEL button can be pressed to interrupt the toasting cycle at any time, but never lift the toasting handle to cancel toasting. **ATTENTION:** toast will be hot once the cycle is completed, always handle toast with care to avoid injuries.
- 7- To toast frozen bread: Repeat steps 1-5 and press DEFROST button. The DEFROST button will light up and once the bread is toasted to the set level, it will automatically pop up.
- 8- To reheat toast: place cold toast into bread slot, lower the toasting handle down vertically until it is latched into place and press the REHEAT button. The REHEAT button will light up. During this function, the heating time is fixed therefore setting the toasting level is not required. **NOTE:** During heating, the CANCEL button can be pressed to interrupt the heating cycle at any time, but never lift the toasting handle to cancel heating.
- 9- Unplug the appliance.

WARMING BAKED GOODS

- 1- Place the toaster on a flat, dry, stable and heat-resistant surface.
- 2- Lower the warming rack handle down completely and the warming rack will pop up. Place the baked good onto the warming rack. Ensure the crumb tray is well pushed in before using.
NOTE: Do not warm baked goods that have icing, syrup, chocolate, jams, sticky substances or liquids that could drip down into the toaster as this cannot be cleaned and will damage the appliance.
- 3- Plug the power cord into the outlet.
- 4- Set toasting level control knob to 2.
- 5- Lower the toasting handle down vertically until it is latched into place, the CANCEL button will light up and the appliance will begin warming. **NOTE:** During warming, the CANCEL button can be pressed to interrupt the warming cycle at any time, but never lift the toasting handle to cancel warming. The toasting handle can only be latched when the appliance is plugged in.
- 6- Once the warming cycle is completed, the toasting handle will automatically pop up and the lit CANCEL button will turn off. **ATTENTION:** the warming rack and baked good will be hot once the cycle is completed, always handle with care to avoid injuries.
- 7- Once baked good is removed, raise the warming rack handle and the warming rack will lower back down.
- 8- Unplug the appliance.

CAUTION

- ::: Never attempt to remove bread jammed in the slots without first unplugging the toaster from the electrical outlet. Allow machine to cool completely and ensure not to damage the internal mechanism or heating elements when removing jammed bread.
- ::: Oversized food, metal foil packages or utensils must never be inserted into the toaster as this may cause electric shock or fire hazard.
- ::: If the toaster starts to smoke, press the CANCEL button to stop toasting immediately
- ::: Avoid toasting food with extremely runny ingredients such as butter.
- ::: To achieve uniform browning for each use, it is recommended to wait a minimum of 60 seconds between each use.
- ::: The appliance becomes hot during use. Do not touch hot surfaces.
- ::: Always unplug the appliance when not in use.

CLEANING AND MAINTENANCE

.....

IMPORTANT: Unplug the appliance and allow all parts to cool down completely before handling or attempting to clean.

::: **DO NOT IMMERSE** the toaster, the power cord or the power plug in water or any liquid nor allow moisture to come in contact with these parts.

::: Wipe the outside of the toaster with a soft, dry cloth – never use a metal polish.

::: To clean the crumb tray, pull crumb tray out from the toaster and empty contents. If the toaster is used frequently, accumulated breadcrumbs should be removed often. Slide empty crumb tray back into toaster completely.

STORAGE

.....

Ensure all pieces are clean and dry before storing. Store appliance in a dry, clean place. When not in use, the power cord may be wrapped under the base of the toaster. Never wrap the cord tightly as this could place undue stress on the cord where it enters the appliance and cause it to fray and break. Keep it loosely coiled.

2-YEAR LIMITED WARRANTY (Applies only in Canada)

.....

This warranty covers any defects in materials and workmanship for a period of two (2) years from the date of the original purchase. Please retain your original receipt as a proof of the purchase date. Any complaints must be registered within the warranty period. The product will be repaired, replaced (parts or entire appliance) or refunded at our sole discretion. Shipping charges may apply.

This warranty does not cover normal wear of parts or damage resulting from any of the following: negligent use or misuse of the product including failure to clean the product regularly, use for commercial purposes, accident, use on improper voltage or current, use contrary to the operating instructions, disassembly, repair or alteration by anyone other than a **RICARDO** authorized service agent.

Please do not return this product to the store. For assistance, please contact 1-866-226-9222.

If you have any questions regarding this product, please contact our customer service:

::: by e-mail: kitchenproducts@ricardocuisine.com

::: by phone: 1-866-226-9222

