

GMP
ISO9001
ISO14001
ISO13485
CERTIFIED

PIHSIANG®

SHOPRIDER®

MODEL: **TE-888SLN**



(PATENTED)

PIHSIANG MACHINERY MFG. CO., LTD.

*NO.108, HSIN-HE ROAD, HSIN-FENG HSIANG 304
HSINCHU COUNTY, TAIWAN*

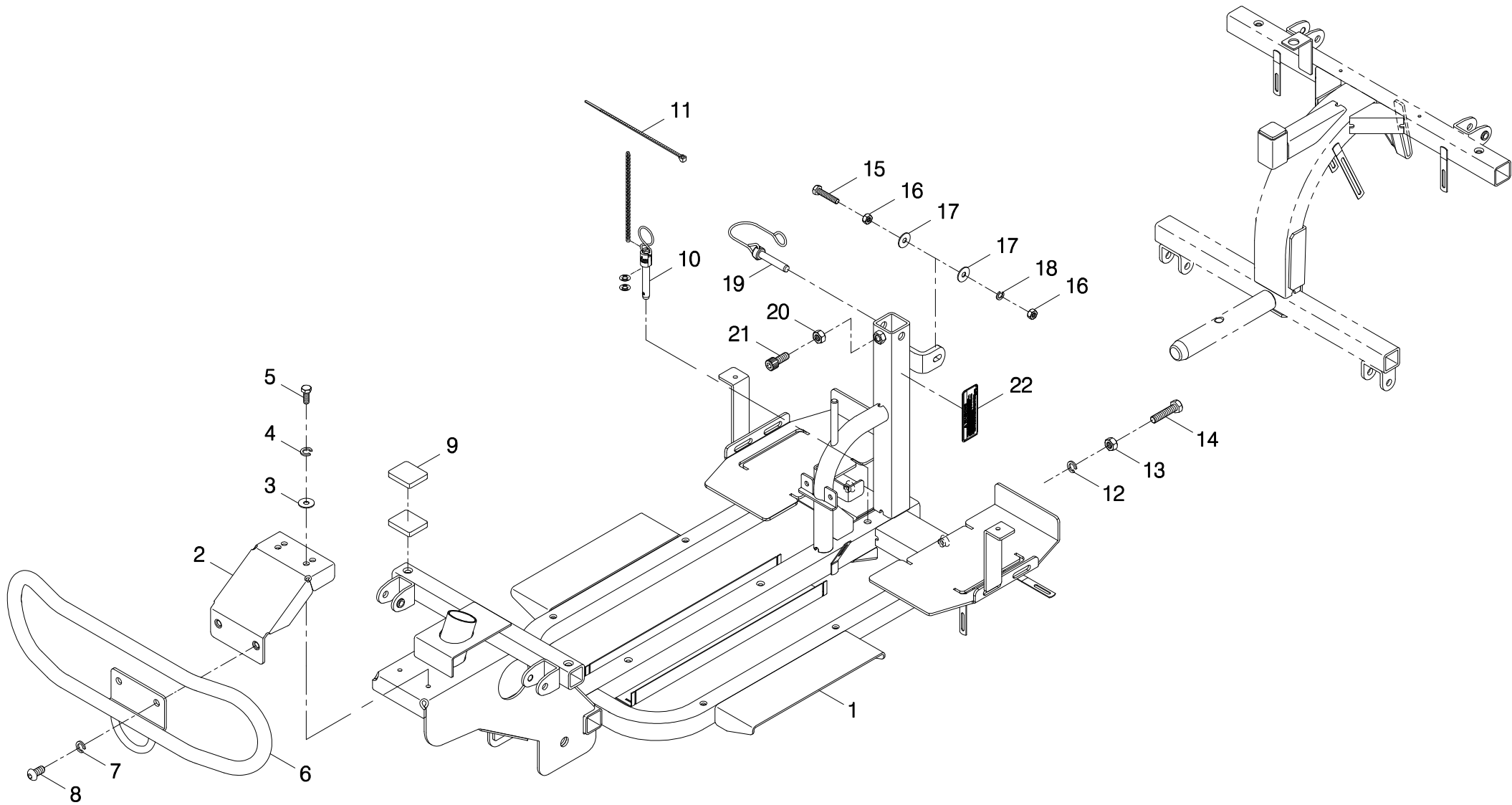
[back to contents](#)

Item	Revision from	Contents of Revision	Page Revised	Remark

<FRONT PAGE=
TE-888SLN

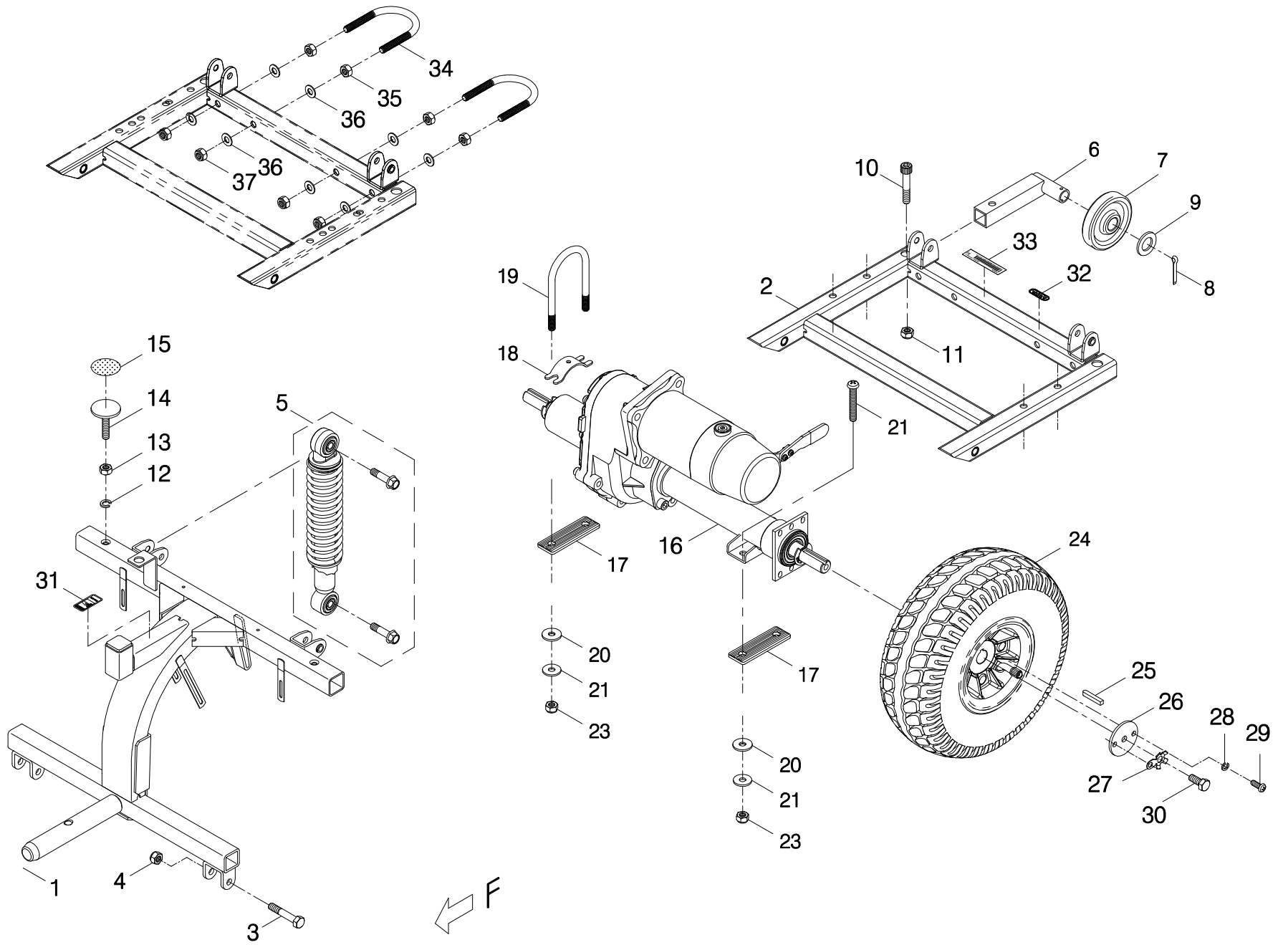
TABLE OF CONTENTS
ILLUSTRATION

INDEX 1	FRONT CHASSIS ASSEMBLY-----	前車架總成-----	1-1~2
INDEX 2	REAR CHASSIS ASSEMBLY-----	後車架總成-----	2-1~2
INDEX 3	DRIVE-TRAIN ASSEMBLY-----	馬達剎車變速箱總成-----	3-1
INDEX 4	REAR WHEEL ASSEMBLY-----	後輪總成-----	4-1
INDEX 5	FRONT AXLE ASSEMBLY-----	導向輪總成-----	5-1~3
INDEX 6	FRONT WHEEL ASSEMBLY-----	前輪總成-----	6-1
INDEX 7	LOOP HANDLE BAR ASSEMBLY-----	環把披覆+固定座/氣壓棒+前燈--	7-1
INDEX 8	DELUXE SEAT ASSEMBLY-----	大折疊椅模組+滑道-----	8-1
INDEX 9	FRONT CHASSIS COVER ASSEMBLY-----	前蓋板總成-----	9-1
INDEX 10	REAR CHASSIS COVER ASSEMBLY-----	後蓋板總成-----	10-1~2
INDEX 11	HANDLE BAR COVER ASSEMBLY-----	把手蓋總成-----	11-1~2
INDEX 12	UPPER CONTROL ASSEMBLY-----	上控制總成-----	12-1~2
INDEX 13	HANDLE BAR ASSEMBLY-----	把手總成(大)-----	13-1
INDEX 14	MAIN CONTROL BOX ASSEMBLY-----	下控制總成-----	14-1
INDEX 15	BATTERY CABLES-----	加電瓶模組-----	15-1
INDEX 16	CONTROL AND BATTERY WIRING ILLUSTRATION-	控制及電瓶導線總成-----	16-1
	APPENDIX(1)------	附錄(1)------	



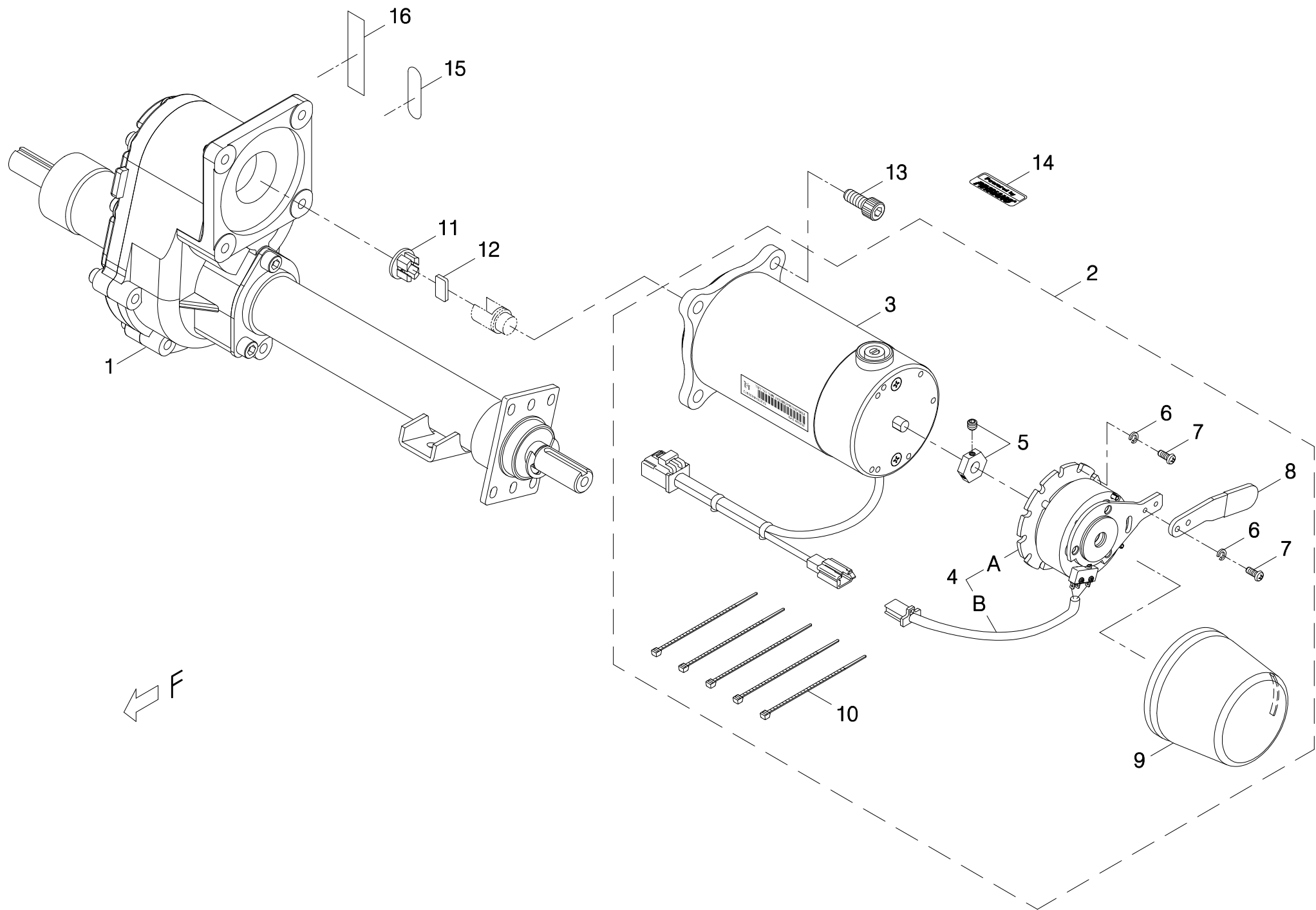
Index NO.	Part NO.	Qty.	Description	Specification	Remark
1	-----		Front chassis assembly		前車架總成
1-1	102101-70800-A2	1	Front Chassis Assembly	888SLN	前車架總成/888SLN
			-----*-----		
1-2	4001514-06-A2	1	Bracket for Chassis Cover	A514-6-A2, 888SLN	蓋板支撐架/A514-6-A2(888SLN)
1-3	5021-06018-210	2	Flat Washer	φ 6*18*1t,Multicolored Galvanized	平墊圈/φ 6*18*1t (五彩)
1-4	5022-06010-210	2	Spring Washer	φ 6*10, Multicolored Galvanized	彈簧墊圈/φ 6*10 (五彩)
1-5	5001-06012-210	2	Hex head screw	M6*P1.0*12L,Multicolored Galvanized	外六角螺栓/M6*P1.0*12L (五彩)
			-----*-----		
1-6	202901-70800	1	Front Bumper	888SLN	前保險桿/888SLN
1-7	5022-08013-710	2	SPRING WASHER	φ 8*13,Black Galvanized	彈簧墊圈/φ 8*13 (鍍黑鋅)
1-8	5003-08016-720	2	ALLEN BUTTON HEAD SCREW	M8*P1.25*16L,Black Galvanized	半圓頭內六角鋼栓/M8*P1.25*16L (鍍黑鋅)
			-----*-----		
1-9	301308-00	4	Sponginess decal	35*30*6t	海綿貼紙/35*30*6t
1-10	202922-00103	1	Safety Pin	φ 7.85,With two loops	安全銷(含鍊條12L)/φ 7.85(二環)
1-11	505201-01500-50	1	cable Tie	CV-150B	束帶/CV-150B
			-----*-----		
1-12	5022-08013-210	2	Spring washer	φ 8*13,Multicolored Galvanized	彈簧墊圈/φ 8*13 (五彩)
1-13	5011-08013-200	2	Hex Nut	M8*P1.25*13,Multicolored Galvanized	六角螺帽/M8*P1.25*13邊 (五彩)
1-14	5001-08035-210	2	Hex head screw	M8*P1.25*35L,Multicolored Galvanized	外六角螺栓/M8*P1.25*35L (五彩)
			-----*-----		
1-15	5001-06030-210	2	Hex head screw	M6*P1.0*30L,Multicolored Galvanized	外六角螺栓/M6*P1.0*30L (五彩)
1-16	5011-06010-200	4	Hex Nut	M6*P1.0*10*5L,Multicolored Galvanized	六角螺帽/M6*P1.0*10邊*5L (五彩)
1-17	5021-06018-210	4	Flat Washer	φ 6*18*1t,Multicolored Galvanized	平墊圈/φ 6*18*1t (五彩)
1-18	5022-06010-210	2	Spring Washer	φ 6*10,Multicolored Galvanized	彈簧墊圈/φ 6*10 (五彩)

Index NO.	Part NO.	Qty.	Description	Specification	Remark
			-----*-----		
1-19	202922-88205	1	Connection pin	787N	附鎖安全銷/787N
1-20	5011-08013-200	1	Hex Nut	M8*P1.25*13,Multicolored Galvanized	六角螺帽/M8*P1.25*13邊(五彩)
1-21	5002-08020-220	1	CAP HEAD ALLEN SCREW	M8*P1.25*20L,Multicolored Galvanized	圓頭內六角鋼栓/M8*P1.25*20L(五彩)
1-22	301123-26-A2	1	Warning Sticker	N23-26-A2	警告貼紙/N23-26-A2

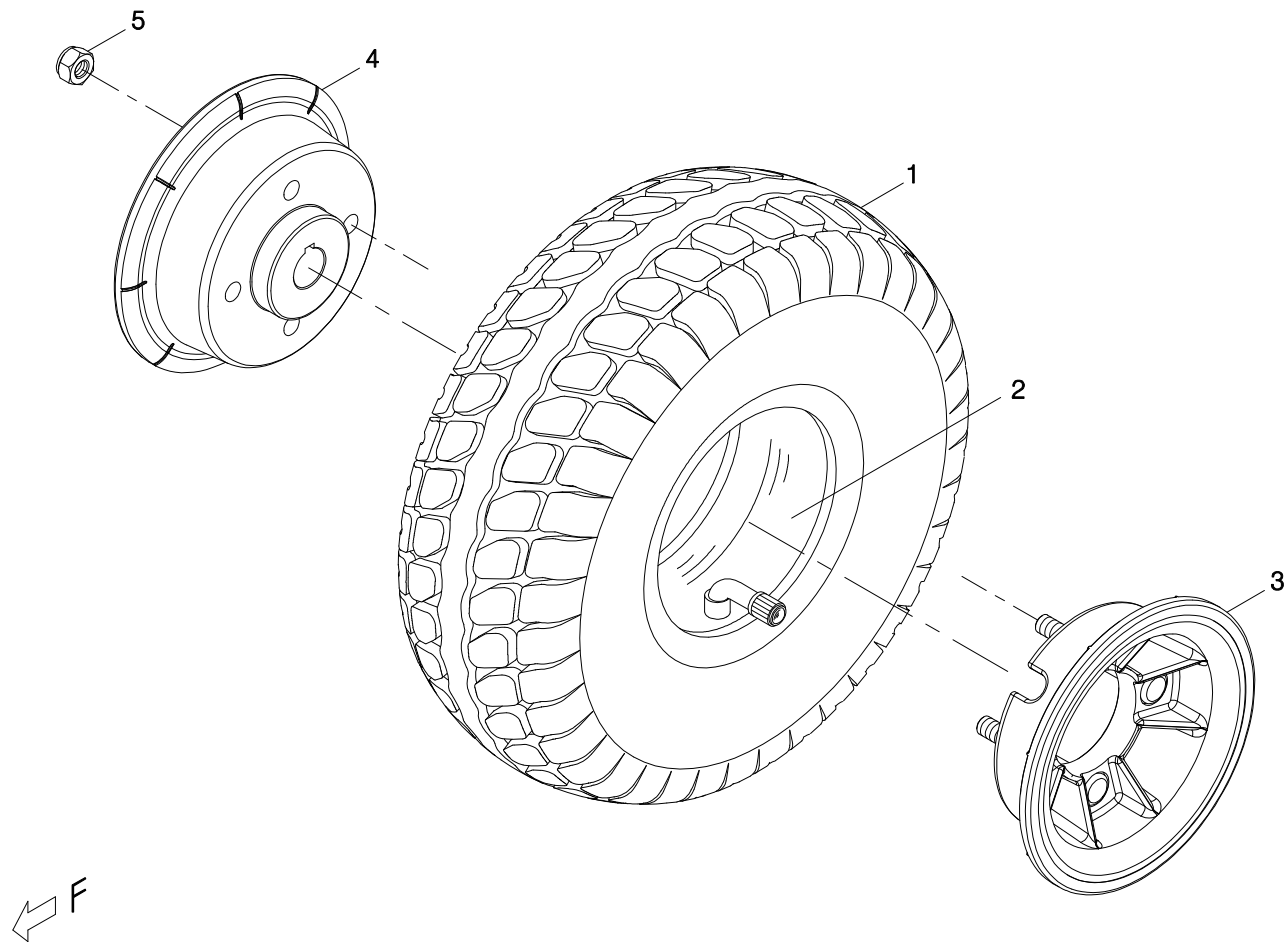


Index NO.	Part NO.	Qty.	Description	Specification	Remark
2	-----		Rear Chassis Assembly		後車架總成
2-1	102202-70800	1	Rear Chassis	Upper, 888SLN/588XLS	後車架(上)/888SLN/588XLS
2-2	102203-70800-A3	1	Rear/Lower Chassis	888SLN/588XLS, A3	後車架(下)/888SLN/588XLS(A3)
			-----*-----		
2-3	5001-08045-220	2	Hex Head Bolt	M8*P1.25*45L,Multicolored Galvanized	外六角鋼栓/M8*P1.25*45L 半牙 (五彩)12.9級
2-4	5012-08013-200	2	Nyloc Nut	M8*P1.25*13 7.8t,Multicolored Galvanized	尼龍螺帽/M8*P1.25*13邊7.8t(五彩)
			-----*-----		
2-5	202931-89100	2	Adjustable Shock Absorber	w/ Screws, 5-Stage	可調式避震器/含螺栓, 5 段式
			-----*-----		
2-6	102909-66700	2	Anti-tip wheel frame	N-7	防傾輪架/N-7
2-7	209928-88100	2	Anti-tip Wheel	3"	防傾輪/3"
2-8	5023-03025-210	2	Split pin	M3*25L,Multicolored Galvanized	開口銷/M3*25L (五彩)
2-9	4001305-00	2	Flat Washer	A305, ϕ 17.5*30*2.6t	平墊圈/A305 (ϕ 17.5*30*2.6t)
2-10	5002-08030-720	2	Cap Head Allen Screw	M8*P1.25*30L, Black Galvanized	圓頭內六角鋼栓/M8*P1.25*30L (鍍黑鋅)
2-11	5012-08013-700	2	Nyloc Nut	M8*P1.25*13,7.8t,Black Galvanized	尼龍螺帽/M8*P1.25*13邊7.8t(鍍黑鋅)
			-----*-----		
2-12	5022-08013-210	2	Spring washer	ϕ 8*13,Multicolored Galvanized	彈簧墊圈/ ϕ 8*13 (五彩)
2-13	5011-08013-200	2	Hex Nut	M8*P1.25*13,Multicolored Galvanized	六角螺帽/M8*P1.25*13邊 (五彩)
2-14	2329-00200-01	2	SET , screw	M8*P1.25*35L,Multicolor	定位螺栓/M8*P1.25*35L (五彩)
2-15	2399-00300-00	2	Velcro	ϕ 35,Hook	自黏扣帶(勾面)/ ϕ 35
			-----*-----		
2-16	-----	REF(1)	Drive-train Assembly	8MNF-2, #3, 888SLN (#1A)	馬達剎車變速箱總成/8MNF-2+(#3)+888SLN(#1A)
			-----*-----		
2-17	209909-69400	2	Rubber Gasket	81*26*4.75t(GK7)	減震膠片(二孔距57mm)/81*26*4.75t(GK7)

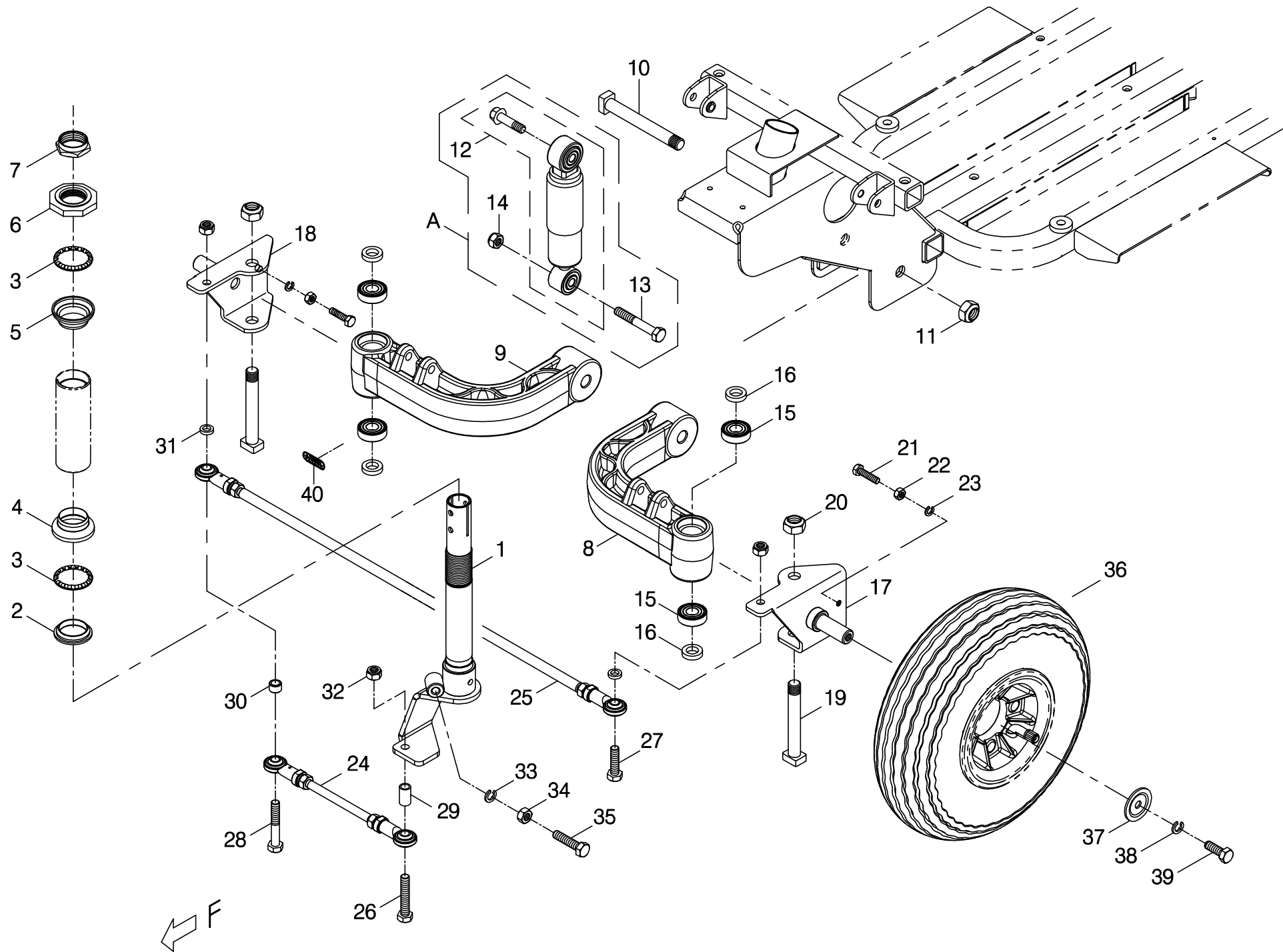
Index NO.	Part NO.	Qty.	Description	Specification	Remark
2-18	4001192-01	1	Arc Plate	A192-1,Black	弧形片/A192-1(黑色)
2-19	4003210-03-A4	1	U-Type Screw, Black Galvanized	C210-3-A4, 787L	U型螺栓(鍍黑鋅)/C210-3-A4, 787L
2-20	209908-69200	4	Rubber Gasket	787L	變速箱減震墊/787L
2-21	5021-08022-710	4	Flat Washer	φ 8*22*2t,Black Galvanized	平墊圈/φ 8*22*2t (鍍黑鋅)
2-22	5005-08050-710	2	Philip Screw	M8*P1.25*50L,Black Galvanized	十字圓頭螺栓/M8*P1.25*50L (鍍黑鋅)GK7
2-23	5012-08013-700	4	Nyloc Nut	M8*P1.25*13,7.8t,Black Galvanized	尼龍螺帽/M8*P1.25*13邊7.8t(鍍黑鋅)
			-----*-----		
2-24	-----	REF(2)	Rear Wheel Assembly	888SL,Pneumatic Black Tire,Silver Rim	後輪總成 黑胎/4.10/3.50-5 K353/888SL 銀灰色鋁圈/充氣
2-25	505301-00505-02	2	Drive Key	5*5*35	單頭圓鍵/5*5*35
2-26	4001364-00	2	Flat Washer	A364, φ 8*45*3t	平墊圈/A364 (φ 8*45*3t)
2-27	4001481-00	2	Locking tab washer	A481	螺栓防鬆片/A481
2-28	5022-06010-210	4	Spring Washer	φ 6*10, Multicolored Galvanized	彈簧墊圈/φ 6*10 (五彩)
2-29	5005-06016-443	4	Philip Screw,Nyloc	M6*P1.0*16L,SUS	十字圓頭螺栓/M6*P1.0*16L SUS 耐落
2-30	5001-08020-440	2	Hex Head Bolt	M8*P1.25*20L,SUS304	外六角鋼栓/M8*P1.25*20L SUS304
			-----*-----		
2-31	301174-07-A2	1	Warning Sticker	N74-7-A2	警告貼紙/N74-7-A2
2-32	301174-09	1	Warning Sticker	N74-9	警告專利貼紙/N74-9
2-33	-----	REF(1)	Decal		條碼貼紙
2-34	4003210-09	2	U-Type Hook, Black Galvanized	C210-9, 45L for Threading	U型螺栓(鍍黑鋅)/C210-9,牙長45L
2-35	5011-08013-700	4	Hex Nut	M8*P1.25*13,Black Galvanized	六角螺帽/M8*P1.25*13邊 (鍍黑鋅)G424M/L
2-36	5021-08016-710	8	Flat Washer	8*16*1.5T,Black Galvanized	平墊圈/φ8*φ16*1.5t(鍍黑鋅)
2-37	5012-08013-700	4	Nyloc Nut	M8*P1.25*13,7.8t,Black Galvanized	尼龍螺帽/M8*P1.25*13邊7.8t(鍍黑鋅)



Index NO.	Part NO.	Qty.	Description	Specification	Remark
3	100001-70800-A3	1	Drive-train Assembly	8MNF-2, #3, 888SLN (#1A)	馬達剎車變速箱總成/8MNF-2+(#3)+888SLN(#1A)
3-1	100401-70800-A4	1	Transaxle Assembly #1A (C)	888SLN, 501.2TL, A4	變速箱 #1A(C) / 888SLN(501.2TL)(A4)
3-2	100101-70800-A3	1	Motor and Brake Assembly	8MNF-2, #3, A380-19	馬達剎車總成/8MNF-2+#3(A380-19)
3-3	100202-88107-A2	1	Motor Assembly	8MNF-2, A2	馬達/8MNF-2(A2)
-----	200203-88104-A2	REF(2)	Carbon Brush	MN/8MNF, 6*10*16, A2	碳刷(FUTS1)/MN/8MNF, 6*10*16, A2
-----	200203-88105	REF(2)	Carbon Brush Cover	MN/8MNF(M4)	碳刷蓋(配件用)/MN/8MNF(M4)
3-4	100303-00108	1	Electromagnetic Brake Assembly	WR229P1, UL7-W-L3, #3L	電磁剎車加工總成#3L/WR229P1焊UL7-W-L3
3-A	100306-00100-A4	1	Electromagnetic Brake	#3, WR198A408P1, A4	電磁剎車#3/WR198A408P1(A4)
3-B	2370-00503-02	1	Connection Cable	UL7-W-L3, 210L	連接線/UL7-W-L3(210L)
-----	9004-001	1	Heat shrink sleeve	F3,3*0.25	熱縮套管(不含膠)/F3(3*0.25)
-----	9004-010	1	Heat shrink sleeve	F5,5*0.25	熱縮套管(不含膠)/F5(5*0.25)
3-5	200302-88101-A2	1	Driving Hex Axle for Brake Disc	#2-1, 787N, A2	剎車六角軸套/#2-1 (787N)(A2)
3-6	5022-04007-210	6	Spring washer	φ 4*7*1.25t,Multicolored Galvanized	彈簧墊圈/φ 4*7*1.25t (五彩)
3-7	5005-04010-210	6	Philip Screw	M4*P0.7*10L,Multicolored Galvanized	十字圓頭螺絲/M4*P0.7*10L (五彩)
3-8	4001380-19	1	Free wheel extension lever	A380-19(G424SM), Left , Short	離合器加長片/A380-19(G424SM)左,短
3-9	2399-00201-00	1	Protect Cover for Magnetic Brake	UL7-W/WD	剎車膠套/UL7-W/WD
3-10	505201-00900-50	3	Cable Tie	YJ-90,Black	束帶/YJ-90(黑色)
3-11	200904-88100	1	Joint Adapter	for Transaxle	變速箱連接襯套
3-12	200905-88100	1	Plate for Joint Adapter		變速箱連接片
3-13	5002-08020-220	4	CAP HEAD ALLEN SCREW	M8*P1.25*20L,Multicolored Galvanized	圓頭內六角鋼栓/M8*P1.25*20L (五彩)
3-14	301179-04	1	Trademark Sticker	N79-4	指示貼紙(40*15.5)/N79-4(Powered by PIHSIANG)
3-15	301174-09	1	Warning Sticker	N74-9	警告專利貼紙/N74-9
3-16	-----	REF(1)	Decal		條碼貼紙



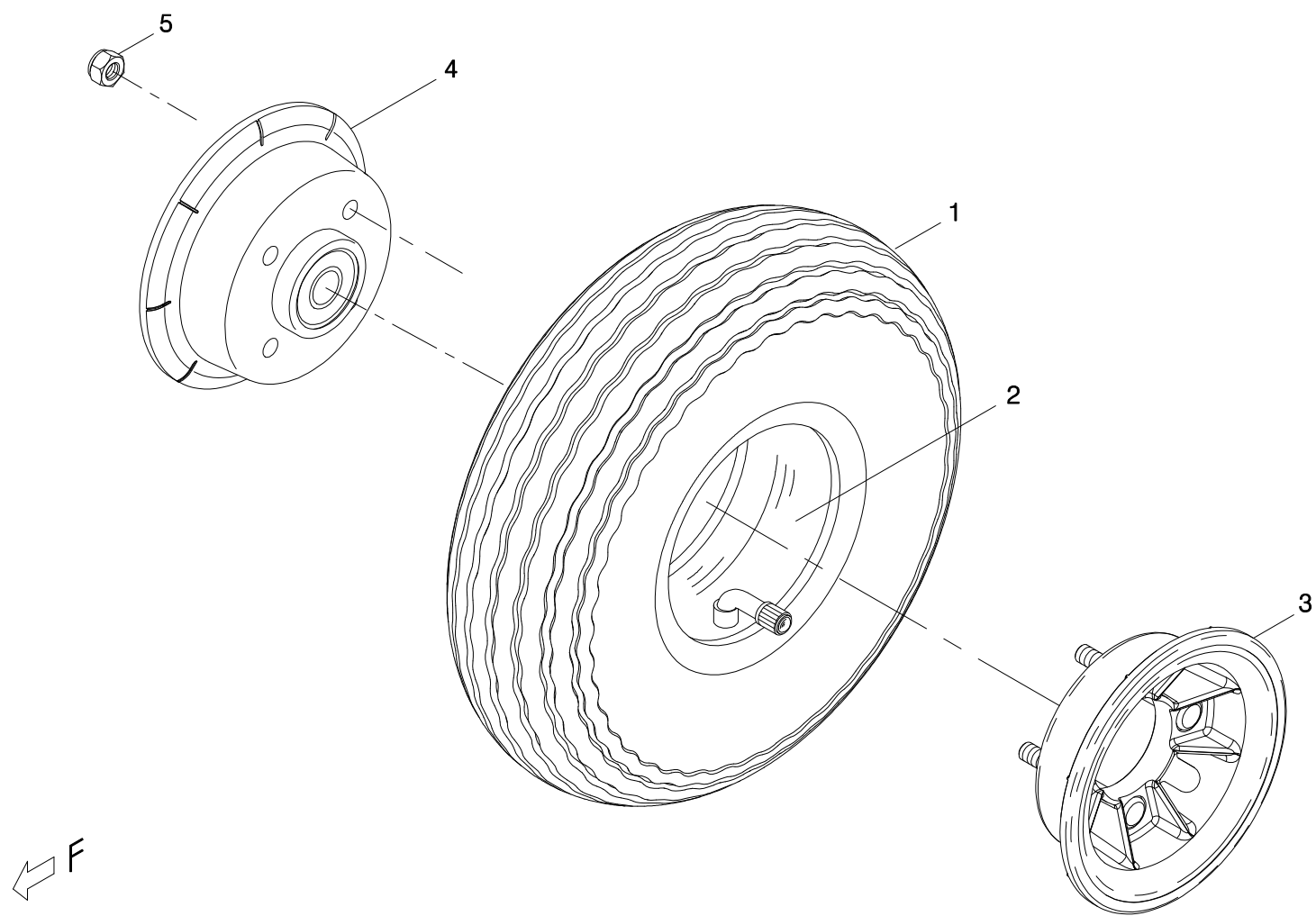
Index NO.	Part NO.	Qty.	Description	Specification	Remark
4	105201-67706-12	2	Rear Wheel Assembly	388EM,Pneumatic Black Tire,Silver Rim	後輪總成 PHM/黑胎/388EM 銀灰色鋁圈/充氣(IA)
4-1	205201-88114	1	Black Tire	260*85 3.00-4,10X3 IA2889	黑胎(非污染)/260*85 3.00-4 10X3 IA2889
4-2	205102-88102	1	Inner Tube	3.00/4.10/3.50-4,TR-87	內胎(含風嘴蓋)/3.00/4.10/3.50-4 TR-87(IA)
4-3	205109-88100-12-A2-1	1	Aluminum Rim Wheel w/ Bolts	4", T-20L, Silver, A2	外鋁輪圈+螺栓(牙長20L)/4"銀灰(十字型)(A2)(非保稅)
4-4	205205-88100-A3	1	Aluminum Rim Wheel w/ Hub	4", § 17, A3	鋁輪圈+驅動軸套/4"+ § 17(A3)
4-5	5012-08013-200	4	Nyloc Nut	M8*P1.25*13 7.8t,Multicolored Galvanized	尼龍螺帽/M8*P1.25*13邊7.8t(五彩)



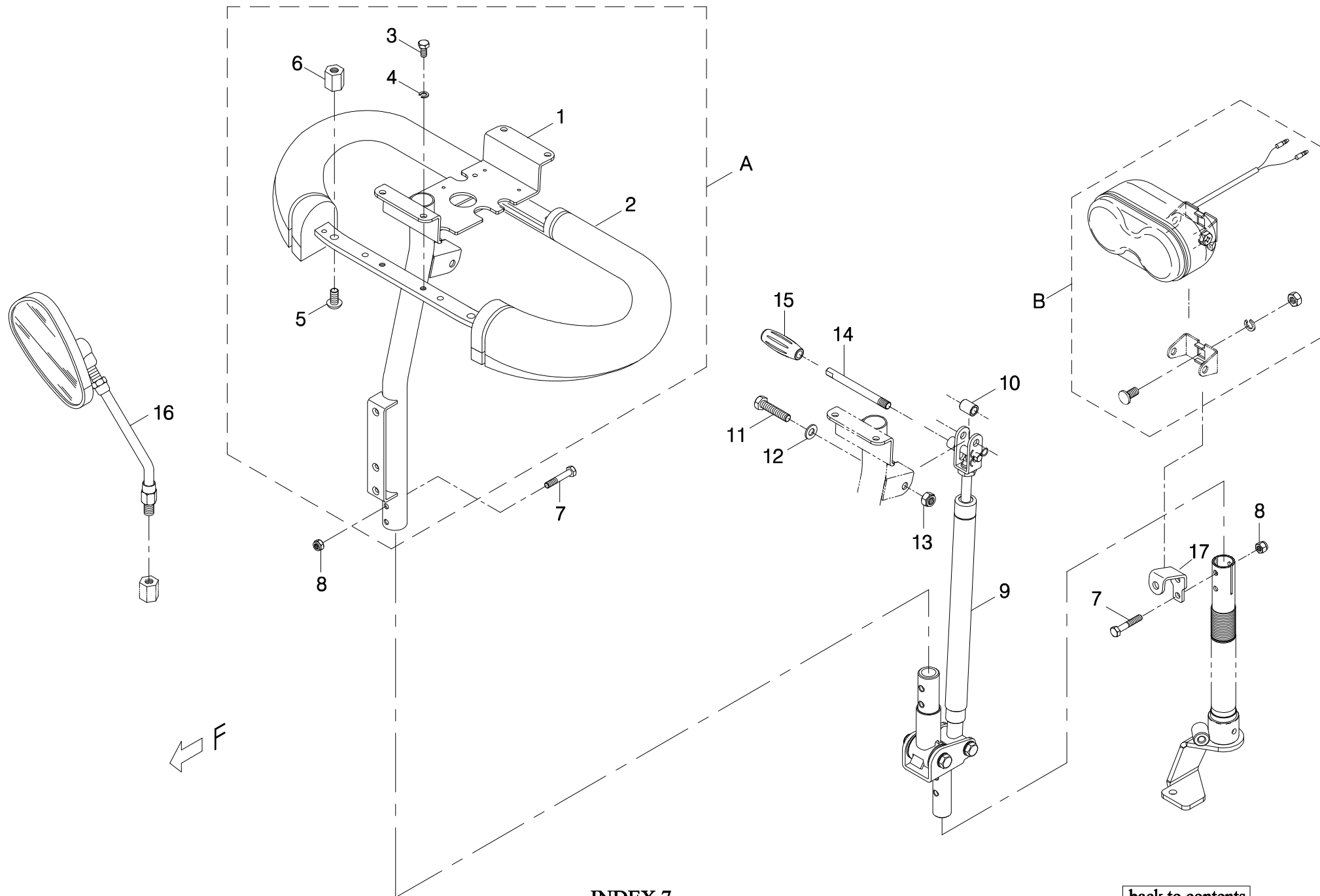
Index NO.	Part NO.	Qty.	Description	Specification	Remark
5	-----		Front axle assembly		導向輪總成
5-1	101501-67100	1	Steering shaft assembly	888SEL,889SEL	操向桿總成/888SEL/889SEL
			-----*		
5-2	201401-88200	1	Bearing bushing	φ 27	軸承座/φ 27
5-3	201402-88200	2	Steering Bearings	5/32*16	軸承/5/32"*16
5-4	201403-88200	1	Bearing housing	φ 30	珠碗(下)/φ 30
5-5	201404-88200	1	Bearing housing	φ 30	珠碗(上)/φ 30
5-6	201405-88200	1	Bearing bushing	Large octangle	軸承襯套/大八角
5-7	201406-88200	1	Steering Head Nut	Dia 22.2	軸承固定螺帽/φ 22.2
			-----*		
5-8	101802-67100-A2	1	Front Crossbeam	Left, 888SEL/889SEL, #1	前輪橫樑(左)/888SEL/889SEL#1
5-9	101803-67100-A2	1	Front Crossbeam	Right, 888SEL/889SEL, #1	前輪橫樑(右)/888SEL/889SEL#1
5-10	4003048-07	1	Front fork shaft	C48-7,M12*P1.25*98L,Multicolor	前叉軸/C48-7 (M12*P1.25*98L)五彩
5-11	5014-12019-210	1	Self-lock nut	M12*P1.25*19,Multicolored Galvanized	防鬆螺帽/M12*P1.25*19邊(五彩)
			-----*		
5-A	102930-89501-A2	2	SHOCK ABSORBERS FRONT MX4	889DXN/SEL,888SEL A2	前避震器總成/889DXN/SEL,888SEL(A2)
5-12	202930-89500-A2	1	Front Shock Absorber	889DXN(A2)	前避震器/889DXN(含螺栓)(A2)
5-13	5001-08050-221	1	Hex Head Bolt	M8*P1.25*50L, Multicolored Galvanized	外六角鋼栓(8.8級)/M8*P1.25*50L牙長12L(五彩)
5-14	5012-08013-200	1	Nyloc Nut	M8*P1.25*13 7.8t,Multicolored Galvanized	尼龍螺帽/M8*P1.25*13邊7.8t(五彩)
			-----*		
5-15	505101-60012-01-1	4	Ball Bearing	#6001zz, NBN	滾珠軸承/#6001zz (NBN)(非保稅)
5-16	4005006-00	4	Spacer	H6, φ 12ID*φ 20OD*4.5T	間隔圈/H6(φ 12 ID*φ 20 OD*4.5T)
			-----*		
5-17	202902-66801-A2	1	Front wheel axle	J-8 #1,Left	前輪軸(左)/J-8 #1(A2)

Index NO.	Part NO.	Qty.	Description	Specification	Remark
5-18	202903-66801-A2	1	Front wheel axle	J-8 #1,Right	前輪軸(右)/J-8 #1(A2)
5-19	4003048-06	2	Front fork shaft	C48-6,M12*P1.25*85L,Multicolor	前叉軸/C48-6 (M12*P1.25*85L)五彩
5-20	5014-12019-210	2	Self-lock nut	M12*P1.25*19,Multicolored Galvanized	防鬆螺帽/M12*P1.25*19邊 (五彩)
5-21	5001-06025-220	2	Hex Head Bolt	M6*P1.0*25L,Multicolored Galvanized	外六角鋼栓/M6*P1.0*25L (五彩)8.8級
5-22	5011-06010-200	2	Hex Nut	M6*P1.0*10*5L,Multicolored Galvanized	六角螺帽/M6*P1.0*10邊*5L (五彩)
5-23	5022-06010-210	2	Spring Washer	φ 6*10,Multicolored Galvanized	彈簧墊圈/φ 6*10 (五彩)
			-----*-----		
5-24	101601-67500	1	Connecting rod assembly (Short)	142L	導向連桿總成(短)/142L
-----	201601-88000	1	Connecting rod	S,M8*P1.25*142L	導向連桿(短)/M8*P1.25*142L
-----	5011-08013-200	2	Hex Nut	M8*P1.25*13,Multicolored Galvanized	六角螺帽/M8*P1.25*13邊 (五彩)
-----	5022-08013-210	2	Spring washer	φ 8*13,Multicolored galvanized	彈簧墊圈/φ 8*13 (五彩)
-----	201602-89500-A2	2	Link Ball	PHS8	和尚頭/PHS8
			-----*-----		
5-25	101701-67500	1	Connecting rod assembly (Long)	303L	導向連桿總成(長)/303L
-----	201701-88000	1	Connecting road	L,M8*P1.25*303L, φ 10	導向連桿(長)/M8*P1.25*303L (φ 10)
-----	5011-08013-200	2	Hex Nut	M8*P1.25*13,Multicolored Galvanized	六角螺帽/M8*P1.25*13邊 (五彩)
-----	5022-08013-210	2	Spring washer	φ 8*13,Multicolored galvanized	彈簧墊圈/φ 8*13 (五彩)
-----	201602-89500-A2	2	Link Ball	PHS8	和尚頭/PHS8
			-----*-----		
5-26	5001-08045-211	1	Hex head screw	M8*P1.25*45L,Multicolored Galvanized	外六角螺栓/M8*P1.25*45L 全牙 (五彩)
5-27	5001-08030-210	1	Hex head screw	M8*P1.25*30L,Multicolored Galvanized	外六角螺栓/M8*P1.25*30L (五彩)
5-28	5001-08050-220	1	Hex Head Bolt	M8*P1.25*50L,Multicolored Galvanized	外六角鋼栓/M8*P1.25*50L 半牙(五彩)
5-29	4003264-11	1	Spacer	C264-11, φ 8*12*19L	間隔圈/C264-11 (φ 8*12*19L)
5-30	4003264-05	1	Spacer	C264-5, φ 8.1* φ 12*8L	間隔圈/C264-5 (φ 8.1* φ 12*8L)

Index NO.	Part NO.	Qty.	Description	Specification	Remark
5-31	4001068-01	2	Flat Washer	A68-1, ϕ 8.1*13*3t	平墊圈/A68-1 (ϕ 8.1*13*3t) 銅
5-32	5012-08013-200	3	Nyloc Nut	M8*P1.25*13 7.8t,Multicolored Galvanized	尼龍螺帽/M8*P1.25*13邊7.8t(五彩)
			-----*-----		
5-33	5022-08013-210	1	Spring washer	ϕ 8*13,Multicolored Galvanized	彈簧墊圈/ ϕ 8*13 (五彩)
5-34	5011-08013-200	1	Hex Nut	M8*P1.25*13,Multicolored Galvanized	六角螺帽/M8*P1.25*13邊 (五彩)
5-35	5001-08035-210	1	Hex head screw	M8*P1.25*35L,Multicolored Galvanized	外六角螺栓/M8*P1.25*35L (五彩)
			-----*-----		
5-36	-----	REF(2)	Front wheel assembly		前輪總成
5-37	4001329-00	2	Flat Washer	A329	平墊圈/A329
5-38	5022-08013-210	2	Spring washer	ϕ 8*13,Multicolored Galvanized	彈簧墊圈/ ϕ 8*13 (五彩)
5-39	5001-08020-440	2	Hex Head Bolt	M8*P1.25*20L,SUS304	外六角鋼栓/M8*P1.25*20L SUS304
5-40	301174-09	1	Warning Sticker	N74-9	警告專利貼紙/N74-9



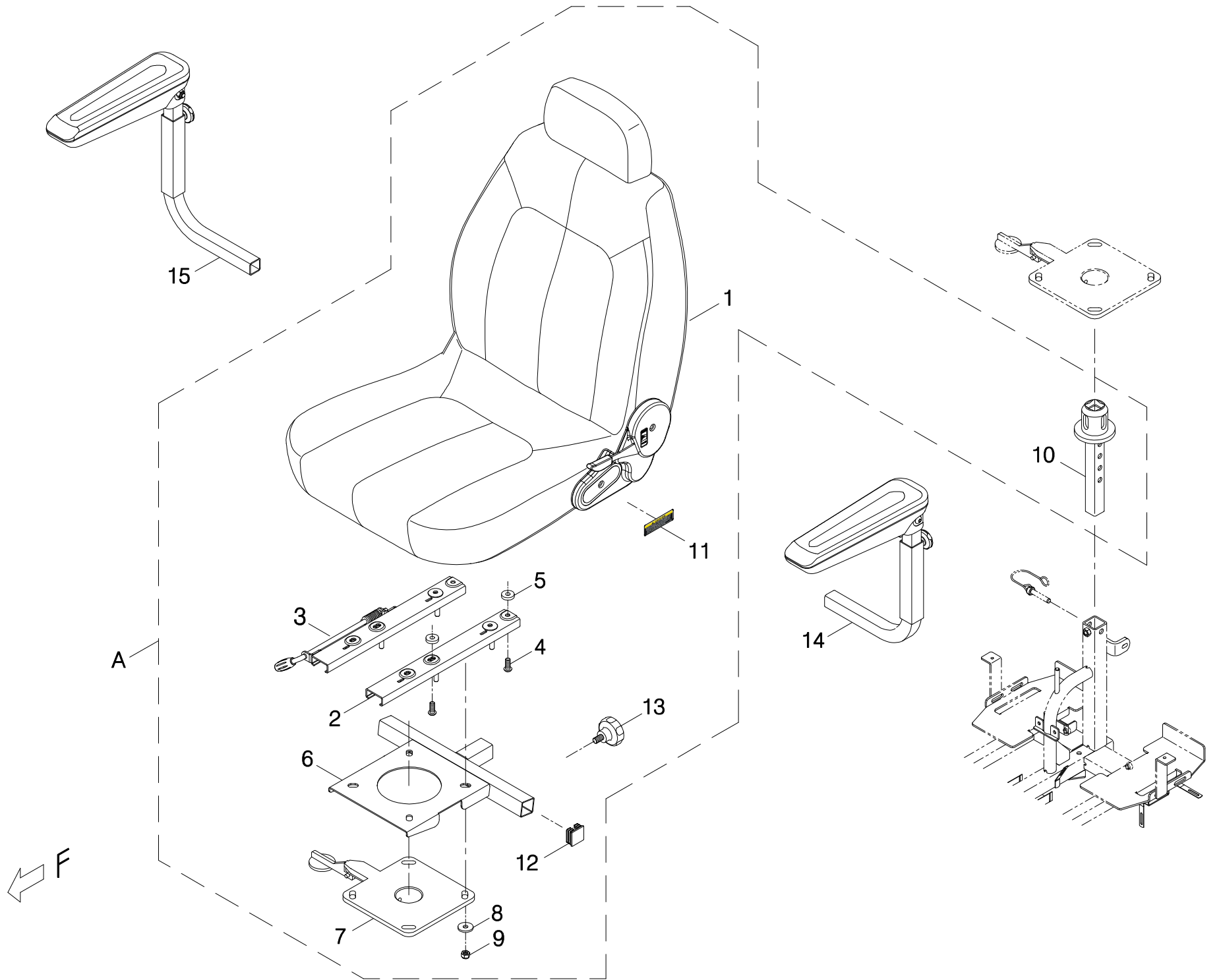
Index NO.	Part NO.	Qty.	Description	Specification	Remark
6	105101-67705-12	2	Front Wheel Assembly	388EM,Pneumatic Black Tire,Silver Rim	前輪總成 PHM/黑胎/388EM 銀灰色鋁圈/充氣(IA)
6-1	205101-88112	1	Black Tire	260*85,3.00-4,10X3,IA2891	黑胎(非污染)/260*85 3.00-4 10X3,IA2891
6-2	205102-88102	1	Inner Tube	3.00/4.10/3.50-4,TR-87	內胎(含風嘴蓋)/3.00/4.10/3.50-4 TR-87(IA)
6-3	205109-88100-12-A2-1	1	Aluminum Rim Wheel w/ Bolts	4", T-20L, Silver, A2	外鋁輪圈+螺栓(牙長20L)/4"銀灰(十字型)(A2)(非保稅)
6-4	205105-88101-A2	1	Aluminum Rim Wheel w/ Bearing 6202zz	4" , A2	鋁輪圈+彈子盤軸套/4"+6202zz(A2)
6-5	5012-08013-200	4	Nyloc Nut	M8*P1.25*13 7.8t,Multicolored Galvanized	尼龍螺帽/M8*P1.25*13邊7.8t(五彩)



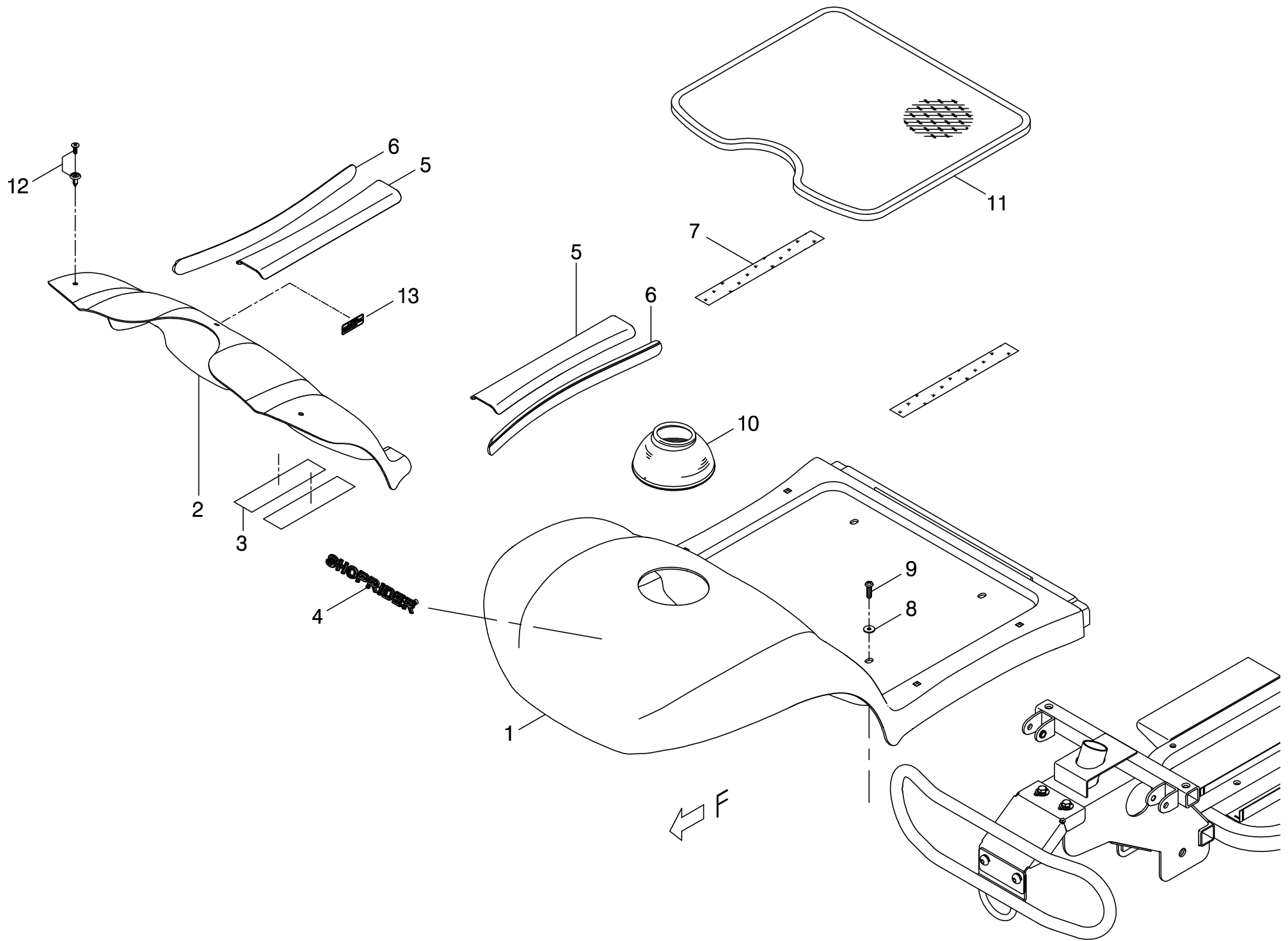
INDEX.7

[back to contents](#)

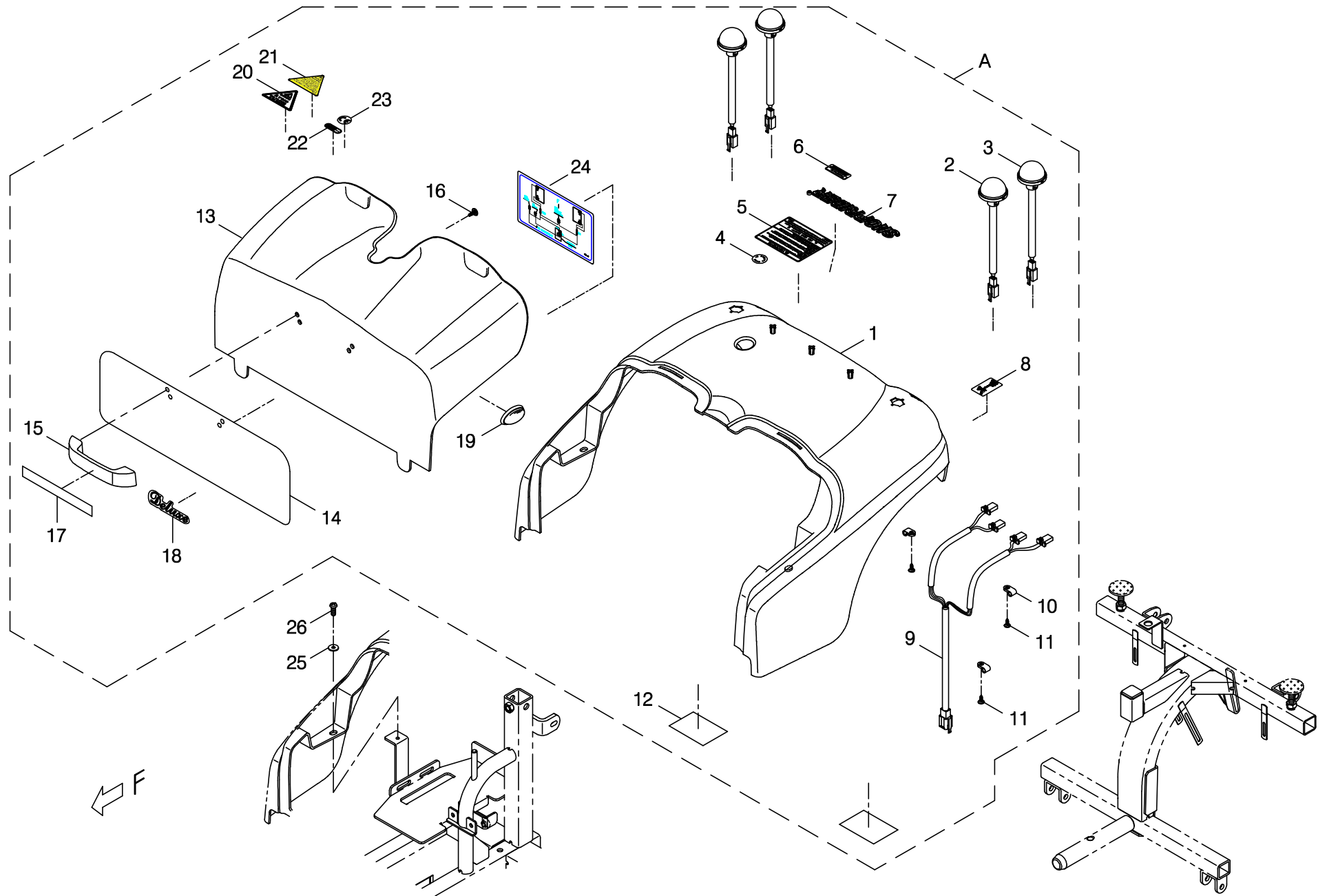
Index NO.	Part NO.	Qty.	Description	Specification	Remark
7-A	101901-89102	1	PU Loop Handle Bar w/ Fixture Bracket	for Gas Lift	環把披覆+固定座/氣壓棒(小)+前燈
7-1	101101-89102-A2	1	Loop Handle Frame	for Delta Tiller, A2	把手架/環把(A2)
7-2	101908-67100	1	Loop handle bar	888S/778S,Delta tiller	環把披覆加工/888S/778S
7-3	5001-06012-210	4	Hex head screw	M6*P1.0*12L,Multicolored Galvanized	外六角螺栓/M6*P1.0*12L(五彩)
7-4	5022-06010-210	4	Spring Washer	φ 6*10, Multicolored Galvanized	彈簧墊圈/φ 6*10(五彩)
7-5	5003-08016-220	2	ALLEN BUTTON HEAD SCREW	M8*P1.25*16L,Multicolored Galvanized	半圓頭內六角鋼栓/M8*P1.25*16L(五彩)10.9級
7-6	4003213-00	2	Hex Nut	C213	六角螺帽/C213
			-----*-----		
7-7	5001-06035-720	4	Hex head screw	M6*P1.0*35L,Black Galvanized	外六角鋼栓(12.9級)/M6*P1.0*35L(鍍黑鋅)半牙
7-8	5012-06010-702	4	Nylon lock nut	M6*P1.0*10*8t,Black Galvanized	尼龍螺帽/M6*P1.0*10邊*8t(鍍黑鋅)
			-----*-----		
7-9	800907-881-13	1	Handle Bar Joint Base Assembly	w/ Gas Lift	把手連接座含氣壓棒模組/出配件用
7-10	4003264-61	1	Spacer	C264-61	間隔圈/C264-61
7-11	5001-08040-710	1	Hex Head Screw	M8*P1.25*40L, Black Galvanized	外六角螺栓/M8*P1.25*40L(鍍黑鋅)
7-12	5021-08016-710	1	Flat Washer	8*16*1.5T,Black Galvanized	平墊圈/φ8*φ16*1.5t(鍍黑鋅)
7-13	5012-08013-700	1	Nyloc Nut	M8*P1.25*13,7.8t,Black Galvanized	尼龍螺帽/M8*P1.25*13邊7.8t(鍍黑鋅)
7-14	202912-89101	1	Depressing Lever	88L, for D-Bar	壓桿/88L(D把用)
7-15	209929-88801	1	Rubber Cap for Lever of Sliding Seat	ID φ 8.1*50.7L, Black	膠套(滑道拉柄用)/ID φ 8.1*50.7L(黑色)
7-16	202908-88104-A2	2	Rear View Mirror, 9153636623	810100-1,For Delta tiller,P736	照後鏡/810100-1(環把用)A2
			-----*-----		
7-17	4001308-01-A2	1	Bracket for Head Light	A308-1, A2	前燈固定座/A308-1-A2
7-B	108101-88104	1	Head light assembly	E-1	眼鏡燈總成/E-1(FA-51)(含螺帽)(@)



Index NO.	Part NO.	Qty.	Description	Specification	Remark
8	-----		Deluxe Seat Assembly		大折疊椅模組+滑道
8-A	800317-703-00	1	Deluxe Seat Assembly w/ Slider	Black Vinyl, Reclining, TE-9	大折疊椅模組+滑道/低背黑皮+後傾器(全包覆式)TE-9
8-1	104021-00103	1	Black Vinyl Captain Seat	18.5"x17.5",w/Reclining 112,Headrest	低背皮椅6段112度後傾DL有頭枕/黑色(包覆)(18.5*17.5)
8-2	204901-88803-A2	1	Sliding Rail	Left, #5, A2	滑道(左)/#5(A2)
8-3	204902-88803-A2	1	Sliding Rail	Right, #5, A2	滑道(右)/#5(A2)
8-4	5003-08020-221	4	Allen Button Head Screw	M8*P1.25*20L,Multicolored Galvanized	半圓頭內六角鋼栓10.9級/M8*P1.25*20L(防鬆全支)五彩
8-5	5021-08022-211	4	Flat Washer	Dia 8*22*5t,Multicolored Galvanized	平墊圈/φ8*22*5t(五彩)
8-6	204506-66101	1	Seat Adapter	#2	座台#2
8-7	204507-66103	1	Swivel Seat Stand	#4	旋轉台(鋁)#4
8-8	4001428-00	4	Flat Washer	A428, φ 8.4*26*3t	平墊圈/A428(φ 8.4*26*3t)
8-9	5012-08013-200	4	Nyloc Nut	M8*P1.25*13 7.8t,Multicolored Galvanized	尼龍螺帽/M8*P1.25*13邊7.8t(五彩)
8-10	204508-88805-A2	1	Seat Post Adaptor	165L, A2, w/ Hole	旋轉台基座#2/165L(4孔)A2
8-11	301174-31	1	Caution Sticker	N74-31	警告貼紙/N74-31
8-12	209931-00105	2	Square Plug	30MM*30MM,2T	方形管塞/30MM*30MM 2T管用
8-13	5008-10020-212-A2	2	Tighten Knob	M10*17L,Multicolored Galvanized,A2	星型螺栓/M10*17L全牙,五彩(A2)
			-----*-----		
8-14	104300-70800	1	Armrest Assembly	888SLN, Left	扶手總成(左)/888SLN
8-15	104400-70800	1	Armrest Assembly	888SLN, Right	扶手總成(右)/888SLN

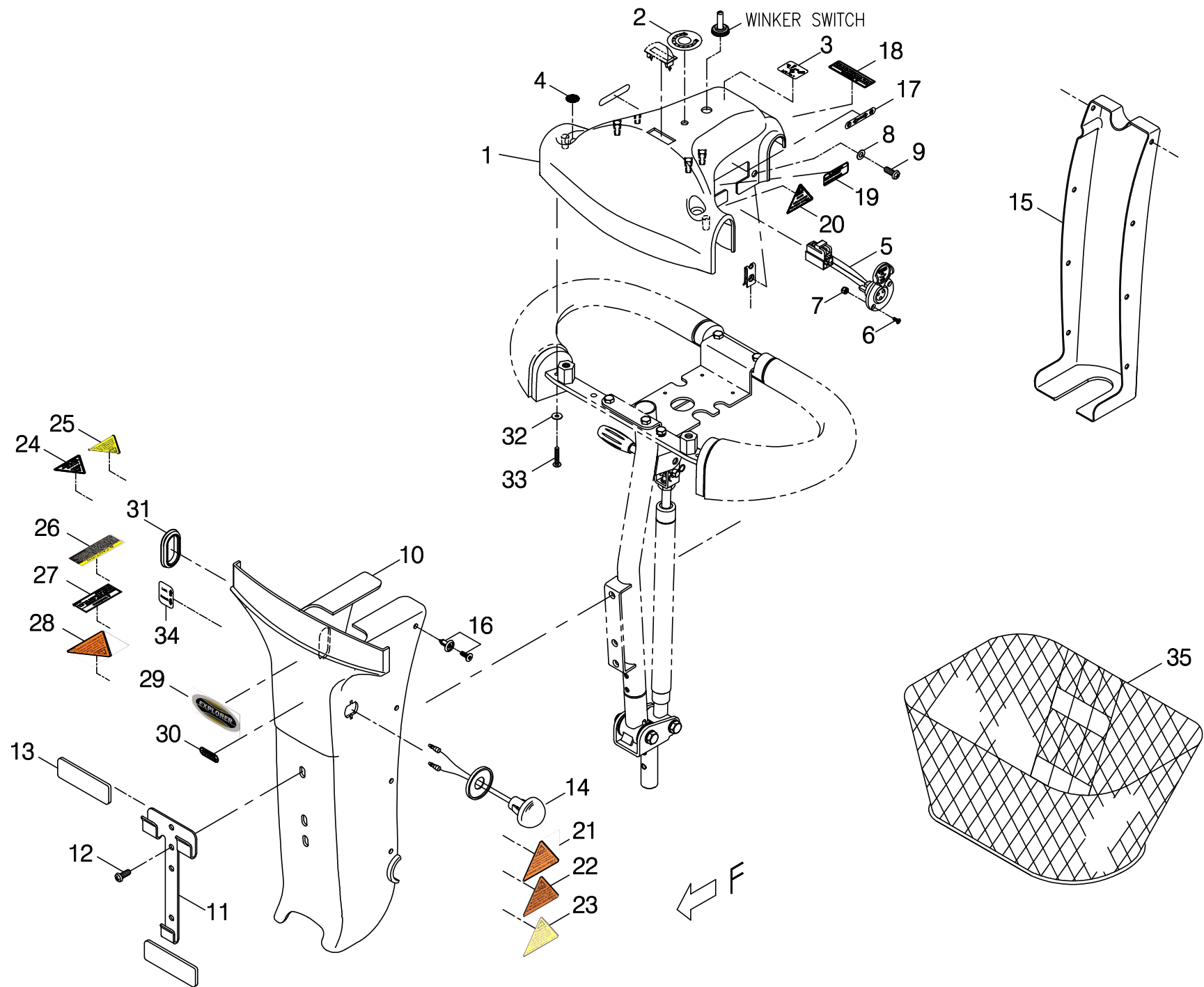


Index NO.	Part NO.	Qty.	Description	Specification	Remark
9-A	103102-70800-22-A2	REF(1)	Front Chassis Cover Assembly, Injection	w/ Decal, 888SLN, Burgundy Red, A2	前蓋板總成(含貼紙)/888SLN 棗紅(射出), A2
9-1	103101-70800-22-A2	REF(1)	Front Chassis Cover	888SLN/588XLS*588D, Burgundy Red, A2	前蓋板總成(射出)/ 888SLN/588XLS/588D 棗紅(A2)
9-2	103505-70800	1	TILLER STEM CABLE COVER	888SLN/588XLS/588D,Black	腳踏護蓋(廠內加工)/888SLN/588XLS/588D(黑色)
9-3	203108-80500	4	Acrylic Foam Tape	30mm*33ML #4211	3M雙面膠/10mm*33ML #4211
9-4	209939-68500	1	Trademark	SHOPRIDER	浮凸自黏商標/SHOPRIDER(電鍍鉻)
9-5	203501-67100	2	Protect cover	888SEL/889SEL	前蓋板護片/888SEL/889SEL
9-6	203102-88800	2	Striped tape	Front,24.5W*330L	飾條(前)/24.5W*330L
9-7	203103-66500	2	Velcro	25W*25M,Hook	自黏扣帶(勾面)/25W*25M
			-----*-----		
9-8	5021-06018-440	4	Flat Washer	φ 6*18*1.6t,SUS	平墊圈/φ 6*18*1.6t SUS
9-9	5005-06020-440	4	Screw	M6*P1.0*20L,SUS	十字圓頭螺絲/M6*P1.0*20L SUS
			-----*-----		
9-10	209903-78100	1	Rubber Cover	A2	防塵套(前)/A2
9-11	209906-70800-A2	1	Carpet	888SLN/588XLS/588D, A2	地毯(加包邊)/888SLN/588XLS/588D(A2)
9-12	209912-78500-A3	5	Plastic Stud	G3020060	腳釘/G3020060
9-13	301127-03	1	Front chassis cover sticker	N27-3	前蓋貼紙/N27-3
			-----*-----		
9-A	103102-70800-4A-A2	REF(1)	Front Chassis Cover Assembly	w/ Decal, 888SLN, Blue, A2	前蓋板總成(含貼紙)/888SLN 孔雀藍(射出), A2
9-1	103101-70800-4A-A2	REF(1)	Front Chassis Cover	888SLN/588XLS/588D, Blue, A2	前蓋板(射出)/888SLN/588XLS/588D 孔雀藍(A2)
			-----*-----		
9-A	103102-70800-52-A2	REF(1)	Front Chassis Cover Assembly, Injection	w/ Decal, 888SLN, Shining Black, A2	前蓋板總成(含貼紙)/888SLN 亮光純黑(射出)
9-1	103101-70800-52-A2	REF(1)	Front Chassis Cover	888SLN/588XLS/588D, Shining Black,	前蓋板(射出)/888SLN/588XLS/588D 亮光純黑(A2)



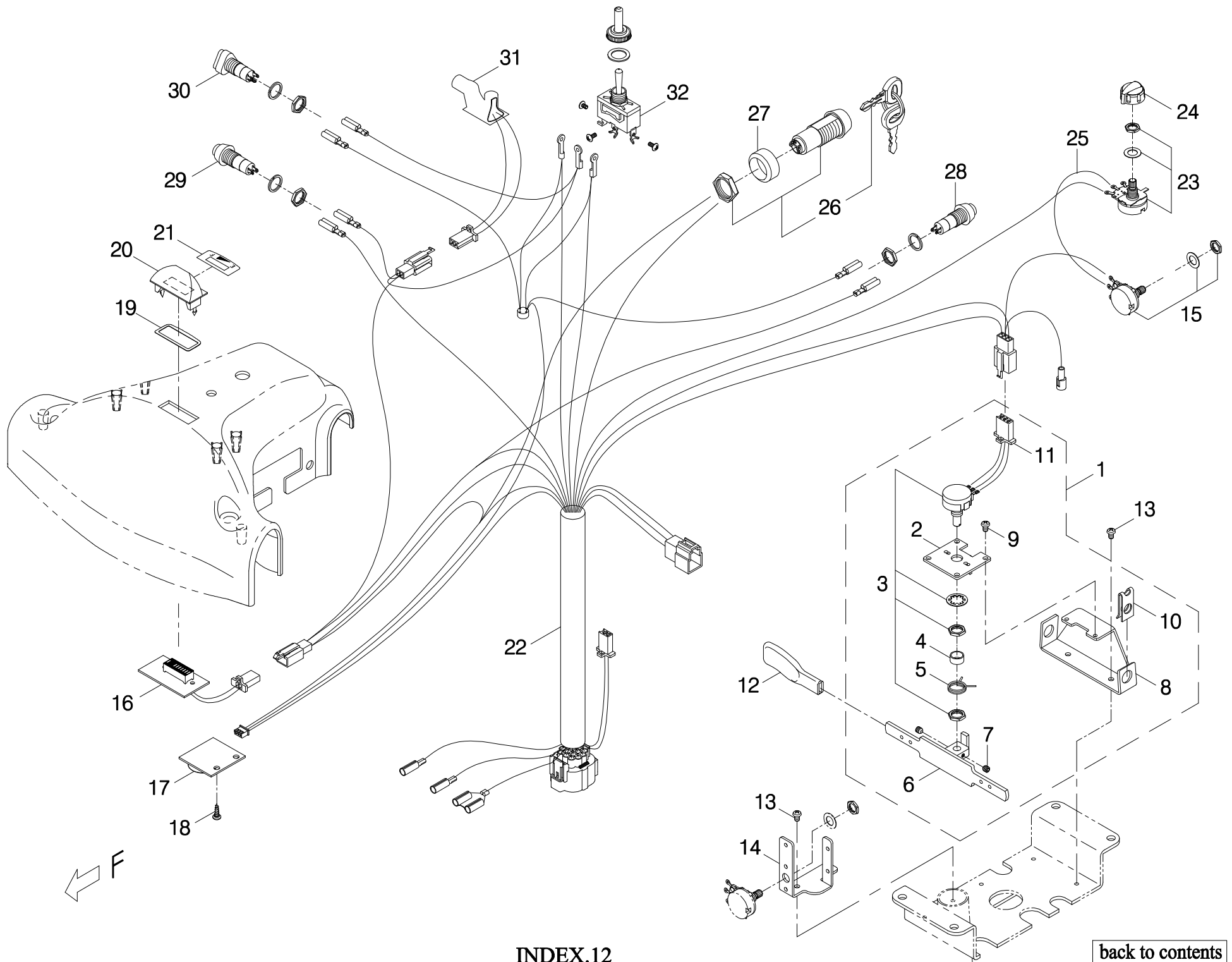
Index NO.	Part NO.	Qty.	Description	Specification	Remark
10-A	103202-70808-22	REF(1)	Rear Chassis Cover Assembly, Injection	w/ Decal, 888SLN, Burgundy Red	後蓋板總成(含貼紙)格紋/888SLN 棗紅(射出)
10-1	103201-70801-22-A2	REF(1)	Rear Chassis Cover	888SLN/588XLS/588D, Burgundy Red, A2	後蓋板總成(後)/888SLN/588XLS/588D 棗紅(射出)
10-2	108102-67101	2	Tail Light Assembly	Round/Plug,Red,FUAN 0054	尾燈總成/圓型/插頭(紅色)FUAN 0054
10-3	108103-67101-A3	2	Winker/Indicator	Round/Plug, Amber, A3	方向燈/圓型/插頭(琥珀色)(HDY001)(A3)
10-4	301116-01	1	MIT Sticker	N16-1	MIT貼紙/N16-1
10-5	301174-13	1	Warning sticker	N74-13,A0518,North America	警告貼紙/N74-13(A0518) 美規
10-6	301179-04	1	Trademark Sticker	N79-4	指示貼紙(40*15.5)/N79-4(Powered by PIHSIANG)
10-7	209939-68500	1	Trademark	SHOPRIDER	浮凸自黏商標/SHOPRIDER(電鍍鉻)
10-8	301187-13	1	OFF-BRAKE-ON Label	N87-13	OFF-BRAKE-ON圖示貼紙/N87-13(透白)(代步車用)
10-9	207018-67200	1	Winker cable	RA-889-N	方向燈線/RA-889-N
10-10	209936-77300	3	Plastic Fastener for Wiring	UC-1.5,Black	配線固定鈕/UC-1.5(黑色)
10-11	5006-04012-211	3	Self Tapping Screw	M4*12L,Multicolored Galvanized	自攻螺栓(半圓頭十字)/M4*12L(五彩)
10-12	203103-66400	2	Velcro	50W*25M,Loop	自黏扣帶(毛面)/50W*25M(整捲裁70L,毛面)
10-13	103207-70800-22-A2	REF(1)	Battery Cover	888SLN/588XLS/588D, Burgundy Red, A2	後蓋總成(前)/888SLN/588XLS/588D 棗紅(射出)
10-14	203203-70801	1	Emblem	Rear, 888SLN, 390*130mm	格紋貼紙(後)/390*130mm(888SLN)
10-15	203513-77800	1	Handle hook	778EL,Front	手提把/778EL(前)(射出)
10-16	5006-04012-210	4	Self tapping screw	M4*12L,Multicolored Galvanized	自攻螺栓(鑽尾)/M4*12L(五彩)帶墊
10-17	203203-78703	1	Emblem	18W*142L, for handle of Battery Pack	格紋紙(電瓶盒手提把)/18W*142L(SL7-4)
10-18	301206-02	1	Deluxe Decal	T6-2, Silver Font	豪華型貼紙/T6-2(Deluxe)(銀字)
10-19	203205-66601	2	Reflector	PE-346B, Yellow	反光片(黃)/PE-346B 橢圓型凸面(小)
10-20	301123-07	1	Warning sticker	N23-7, Large	三角型警告貼紙/N23-7(大)
10-21	301123-23	1	Warning sticker	N23-23	三角型警告貼紙/N23-23
10-22	301174-09	1	Warning Sticker	N74-9	警告專利貼紙/N74-9
10-23	301166-02	1	CE Mark Label	N66-2, White Sign	CE貼紙/N66-2 透白

Index NO.	Part NO.	Qty.	Description	Specification	Remark
10-24	301153-18	1	Battery Wiring Diagram Sticker	N53-18, 30A/10A	指示貼紙(線路圖)/N53-18 (30A/10A)
			-----*-----		
10-25	5021-06018-440	2	Flat Washer	φ 6*18*1.6t,SUS	平墊圈/φ 6*18*1.6t SUS
10-26	5005-06016-440	2	Philip Cap Head Bolt	M6*P1.0*16L,SUS	十字圓頭螺栓/M6*P1.0*16L SUS
			-----*-----		
10-A	103202-70808-4A	REF(1)	Rear Chassis Cover Assembly	w/ Decal, 888SLN, Blue	後蓋板總成(含貼紙)格紋/888SLN 孔雀藍(射出)
10-1	103201-70801-4A-A2	REF(1)	Rear Chassis Cover	888SLN/588XLS/588D, Blue, A2	後蓋板(後)/888SLN/588XLS/588D 孔雀藍
			-----*-----		
10-A	103202-70808-52	REF(1)	Rear Chassis Cover Assembly, Injection	w/ Decal, 888SLN, Shining Black	後蓋板總成(含貼紙)格紋/888SLN 亮光純黑(射出)
10-1	103201-70801-52-A2	REF(1)	Rear Chassis Cover	888SLN/588XLS/588D, Shining Black, A2	後蓋板(後)(亮光純黑)/888SLN/588XLS/588D, (射出)A2
			-----*-----		
10-13	103207-70800-4A-A2	REF(1)	Rear Chassis Cover	888SLN/588XLS/588D, Blue, A2	後蓋板(前)/888SLN/588XLS/588D 孔雀藍
			-----*-----		
10-13	103207-70800-52-A2	REF(1)	Battery Cover	888SLN/588XLS/588D, Shining Black, A2	後蓋板(前)/888SLN/588XLS/588D 亮光純黑射出
			-----*-----		



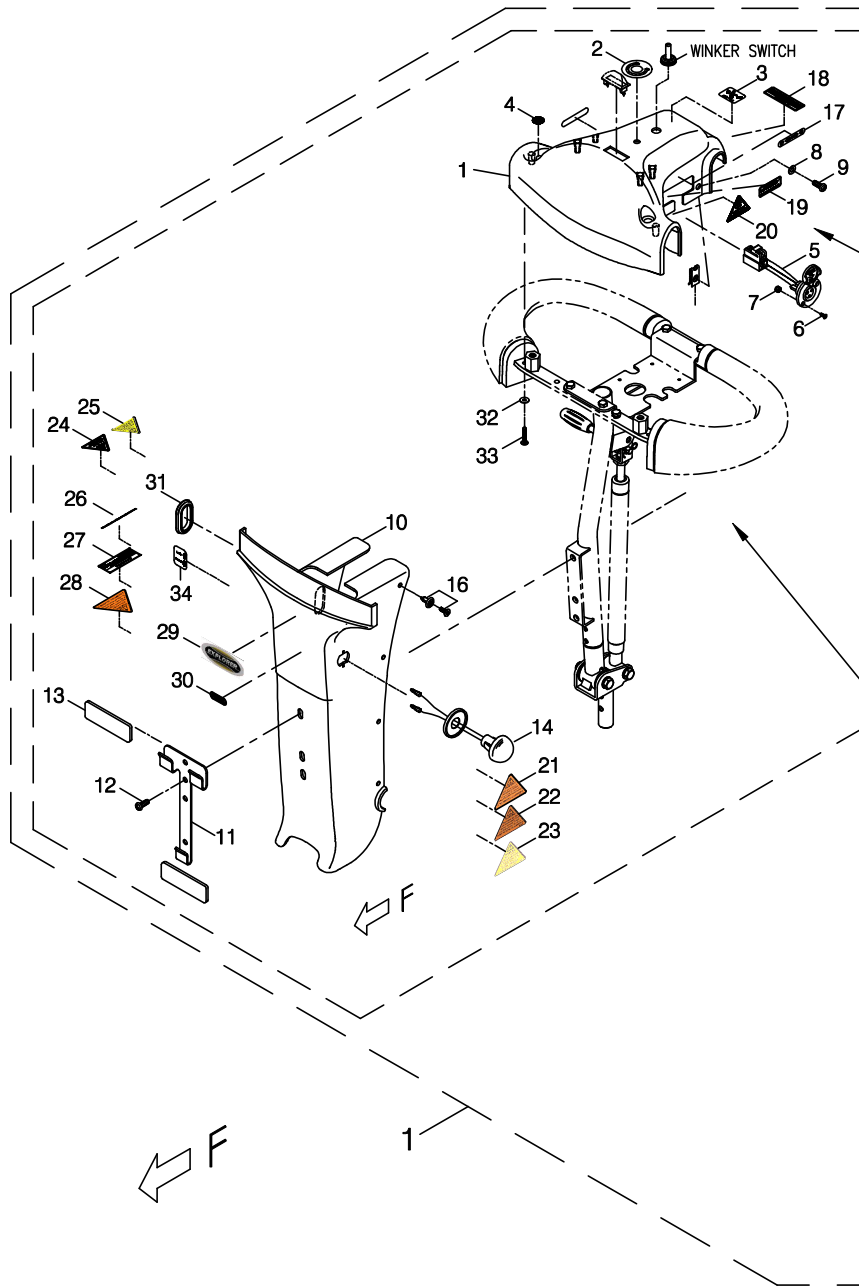
Index NO.	Part NO.	Qty.	Description	Specification	Remark
11	-----		Handle bar cover assembly		把手蓋總成
11-1	103303-66802-72	1	Front tiller cover	J-8,B1#1	環把上蓋(曲面披覆)/J-8 蛇紋色 B1(無孔)#1
11-2	301222-00-A2	1	Decal	T22	速率貼紙/T22 (10段)A2
11-3	301111-06	1	Instruction sticker	N11-6,Turn Signal,ON/OFF	指示貼紙/N11-6(方向燈+ON/OFF)
11-4	301114-07	2	Round sticker	N14-7,PVC	圓貼紙(黑)/N14-7(PVC)
11-5	207006-88109	1	Charging cable	KA-888-H11	充電線(短)/KA-888-H11
11-6	5009-03010-440	2	Taper Head Philip Screw	M3*P0.5*10L,SUS	埋頭螺絲/M3*P0.5*10L SUS
11-7	5012-03006-200	2	Nyloc Nut	M3*P0.5*6,Multicolored Galvanized	尼龍螺帽/M3*P0.5*6邊(五彩)
			-----*-----		
11-8	5021-06012-440	2	Flat Washer	φ 6*12*0.6t,SUS	平墊圈/φ 6*12*0.6t SUS
11-9	5005-06016-440	2	Philip Cap Head Bolt	M6*P1.0*16L,SUS	十字圓頭螺絲/M6*P1.0*16L SUS
			-----*-----		
11-10	103301-88104-22-A2	REF(1)	Front Tiller Cover	Burgundy Red, A2	把手前蓋(二合一)/通用 棗紅(加孔)(A2)
11-11	4001151-02	1	Basket Holder	A151-2	籃子掛勾/A151-2(電著)
11-12	5005-06016-440	2	Philip Cap Head Bolt	M6*P1.0*16L,SUS	十字圓頭螺絲/M6*P1.0*16L SUS
11-13	301307-00	2	Sponge Sticker	75*30*6t	海綿貼紙/75*30*6t
11-14	108103-88103-A2	2	Winker/Indicator	Round, Amber, FUAN 0054, A2	方向燈/圓型(琥珀色)FUAN 0054(A2)
			-----*-----		
11-15	203503-88102-50	1	Cable Cover	Black / Delta Tiller, w/ Hole	電線護蓋/黑/環把(加孔)(真空)
11-16	209912-78500-A3	8	Plastic Stud	G3020060	腳釘/G3020060
			-----*-----		
11-17	301111-04	2	Instruction sticker	N11-4,F-R	指示貼紙/N11-4 (F-R)
11-18	301174-05	1	Warning Sticker	N74-5	警告貼紙/N74-5
11-19	301174-16	1	Warning Sticker	N74-16	警告貼紙/N74-16

Index NO.	Part NO.	Qty.	Description	Specification	Remark
11-20	301123-41	1	Warning Sticker	N23-41	三角型警告貼紙/N23-41
			-----*-----		
11-21	301123-14	1	Warning sticker	N23-14	三角型警告貼紙/N23-14(大)
11-22	301123-20	1	Warning sticker	N23-20,Front Panel	三角型警告貼紙/N23-20(大)
11-23	301123-35	1	Warning Sticker	N23-35	三角型警告貼紙/N23-35,(配合服務記錄卡)
11-24	301123-08	1	Warning sticker	N23-8,Small	三角型警告貼紙/N23-8(小)
11-25	301123-30-A2	1	Note Sticker	N23-30-A2, for Sleeping Mode	三角型注意貼紙/N23-30-A2
11-26	301174-25	1	Warning Sticker	N74-25	警示貼紙/N74-25
11-27	301174-45-A2	1	Warning Sticker	N74-45, A2	警告貼紙/N74-45(A2)
11-28	301123-16	1	Warning Sticker	N23-16	三角型警告貼紙/N23-16(大)
11-29	301213-41	1	Model Decal, Explorer	T13-41, CA08-888SLN	車型貼紙(Explorer)/T13-41, CA08-888SLN
11-30	301174-09	1	Warning Sticker	N74-9	警告專利貼紙/N74-9
11-31	209931-89100-A2	1	Rubber Plug	for Gas Lift Kit, A2	孔塞/配合氣壓棒(A2)
			-----*-----		
11-32	5021-04012-440	2	Flat Washer	φ 4*12*0.8t,SUS,FW04012S	平墊圈/φ 4*12*0.8t SUS (FW04012S)
11-33	5006-04025-210	2	Self tapping screw	M4*25L,Multicolored Galvanized	自攻螺絲(半圓頭十字)/M4*25L(五彩)
11-34	301187-16	REF(1)	Instruction sticker	N87-16	指示貼紙(Lock ↑ Detach ↓)/N87-16(透白)方型
11-35	209916-88100-A2	1	Basket	103B-2	籃子/103B-2
			-----*-----		
11-10	103301-88104-4A-A2	REF(1)	Front Tiller Cover	Blue, A2	把手前蓋(二合一)/通用 孔雀藍(加孔)(A2)
			-----*-----		
11-10	103301-88104-52-A2	REF(1)	Front Tiller Cover	Shiny Black, A2	把手前蓋(二合一)/通用 亮光純黑(加孔)(A2)

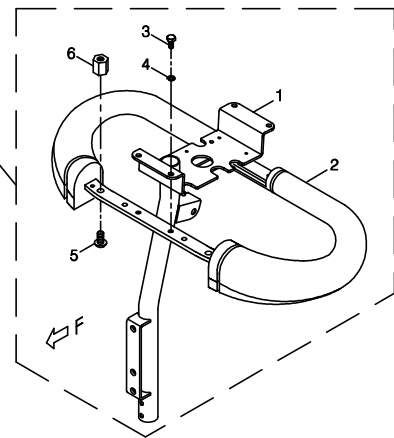
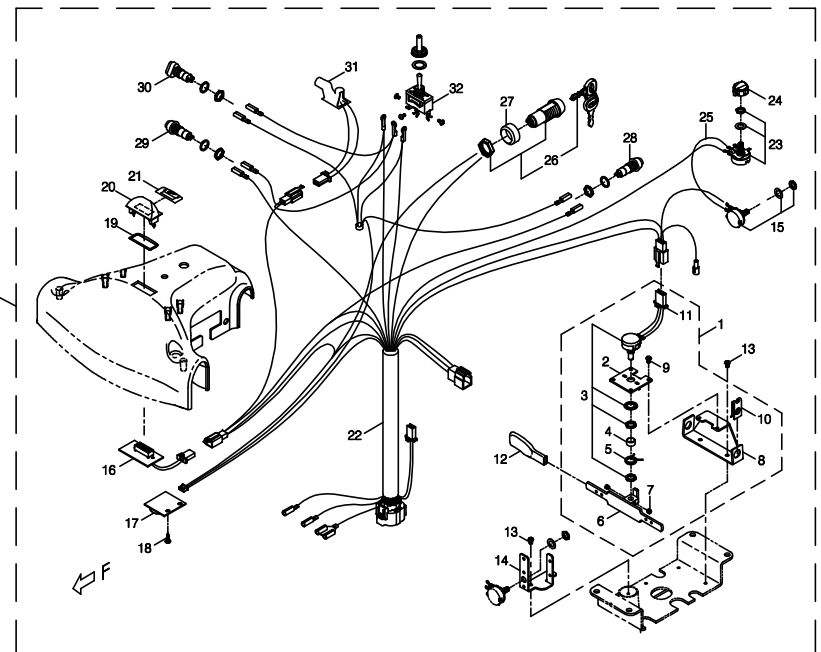


Index NO.	Part NO.	Qty.	Description	Specification	Remark
12	-----		Upper Controller Assembly		上控制總成
12-1	106108-66404-A2	1	POTENTIOMETER,ASBLY	Delta tiller#2,5K#3	搖桿電阻加工/環把#2(5K#3)
12-2	4001144-03	1	Potentiometer Fixing plate	A144-3, \$ 4.1	搖桿電阻固定片/A144-3 (\$ 4.1)
12-3	206103-88103-A2	1	Potentiometer	5K#3-A2	搖桿電阻/5K#3-A2(含平墊、螺帽)
12-4	4003198-00	1	Spacer	C198(\$ 11.3* \$ 9.5*5.5L)	間隔圈/C198(\$ 11.3* \$ 9.5*5.5L)
12-5	206106-88100	1	Spring		扭力彈簧
12-6	206107-88102	1	Throttle lever	#3	加速控制桿/#3
12-7	5004-04004-210	2	Socket Screw	M4*P0.7*4L,Multicolored Galvanized	無頭螺絲/M4*P0.7*4L (五彩)
12-8	4001464-01	1	Potentiometer Fixing plate	A464-1	搖桿電阻固定片/A464-1
12-9	5005-04006-210	2	Philip Screw	M4*P0.7*6L, Multicolor Galvanized	十字圓頭螺絲/M4*P0.7*6L (五彩)
12-10	202921-88100	2	U type plate nut	Close	螺絲固定片/(閉口)
12-11	207010-66402	1	Control cable	KA-889-K6	上控制線/KA-889-K6
-----	505201-00940-50	1	cable Tie	CV-094B	束帶/CV-094B
			-----*-----		
12-12	206122-88102	2	Extension, thottle lever	PVC,Black#1	加速桿加長片/PVC(黑)#1,長
			-----*-----		
12-13	5005-04006-210	4	Philip Screw	M4*P0.7*6L, Multicolor Galvanized	十字圓頭螺絲/M4*P0.7*6L (五彩)
12-14	4001473-01	1	Bracket	A473-1	可變電阻固定片/A473-1
12-15	206109-66800-A2	1	Variable resistor	B10K(A2)	可變電阻/B10K(含平墊、螺帽)A2
			-----*-----		
12-16	206114-66103-A4	1	PCB for Battery Gauge	AC LED-B1-J, A4	電量指示器PC板/AC LED-B1-J(有端子)(A4)
12-17	206217-66801-A2	1	PCB w/ Horn	PH-27,A2	音效器/PH-27(A2)
12-18	5006-04012-213	2	Self tapping screw	M4*12L,Multicolored Galvanized	自攻螺絲(TP丸頭)/M4*12L (五彩)尖尾
12-19	206128-80500	1	Gasket	□34.7*12.1*0.3T	指示燈座墊片/□34.7*12.1*0.3T

Index NO.	Part NO.	Qty.	Description	Specification	Remark
12-20	206126-88100	1	Indicator lamp	Black	指示燈座/黑色
12-21	301192-00	1	Decal	N92,E,-,F	電量指示貼紙/N92 (E - F)
			-----*-----		
12-22	207010-80504	1	Upper Control Cable	NA-888-K9	上控制線/NA-888-K9
12-23	206109-88100-A2	1	Variable resistor	B25K(A2)	可變電阻/B25K(含平墊、螺帽)A2
12-24	206113-88101-A2	1	Speed Dial Knob	CF-X4-T	速率調整鈕/CF-X4-T(φ 19.8)(A2)
12-25	207012-66200	1	Jump Wire	KA-888-G5	跳線/KA-888-G5
			-----*-----		
12-26	106106-88103-A3-1	1	Ignition Key Assembly, Yellow	2-Way Key, 4A 125VAC 2Amp 8212, A3-1	鑰匙組總成(黃色)(含螺帽)/雙向, 4A 125VAC 2Amp 8212(A3-1)
12-27	4003260-00	1	Spacer	C260(φ 26*φ 20*12L)	鑰匙間隔圈/C260(φ 26*φ 20*12L)
			-----*-----		
12-28	206105-88100-A2	1	Horn Switch	Plain Yellow Button	喇叭按鈕(不銹鋼彈簧)/黃色(含螺帽、彈墊)A2
12-29	208201-88100-A2	1	Light Switch	Blue	藍色按鈕(不銹鋼彈簧)/二段式(含螺帽、彈墊)A2
12-30	208202-88103-A2	1	Hazard Warning Switch	2pin,Red	三角型按鈕(不銹鋼彈簧)/2pin 紅色(含螺帽、彈墊)A2
12-31	208204-88101-A2	1	Flasher	ASIC,24V,2A	閃光器/ASIC,24V/2A(A2)
12-32	208203-88100	1	Indicator Switch	3P,ON-OFF-ON	搖頭開關/3P ON-OFF-ON (含防水套、墊片)
			-----*-----		
-----	505201-00940-50	6	cable Tie	CV-094B	束帶/CV-094B
-----	505201-01200-50	3	cable Tie	CV-120B	束帶/CV-120B
-----	505201-02000-50	1	cable Tie	CV-200B	束帶/CV-200B



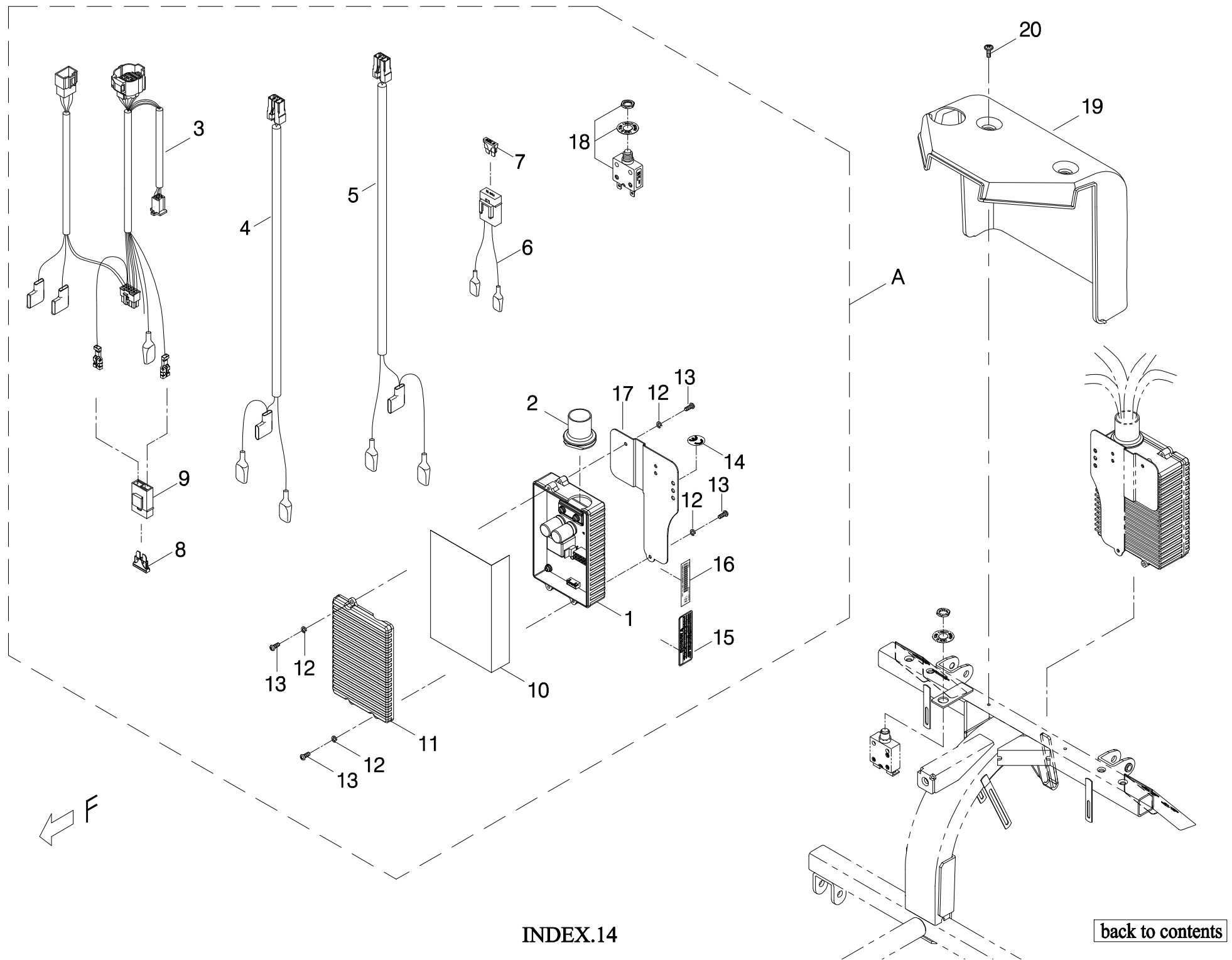
INDEX.11



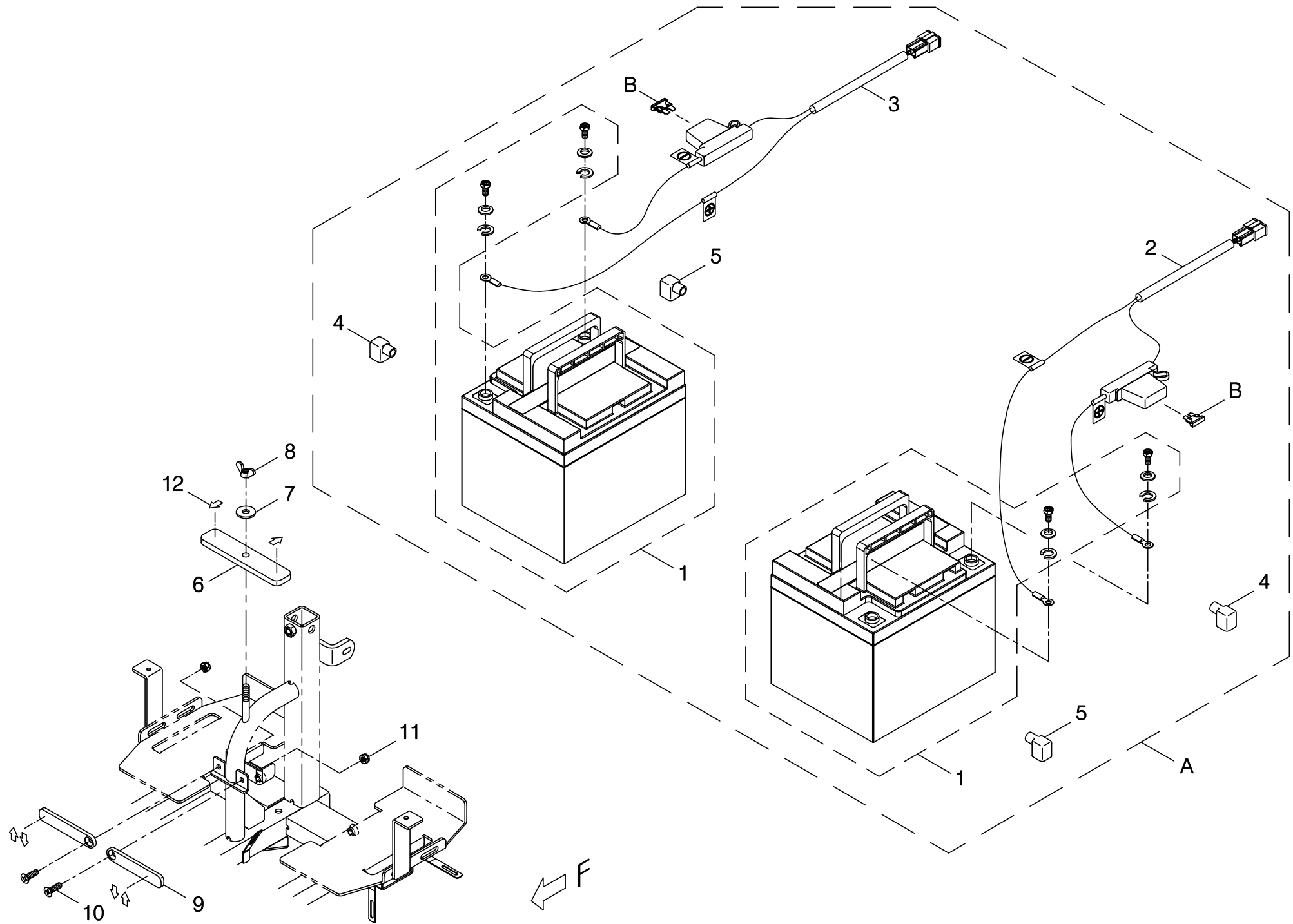
INDEX.13

[back to contents](#)

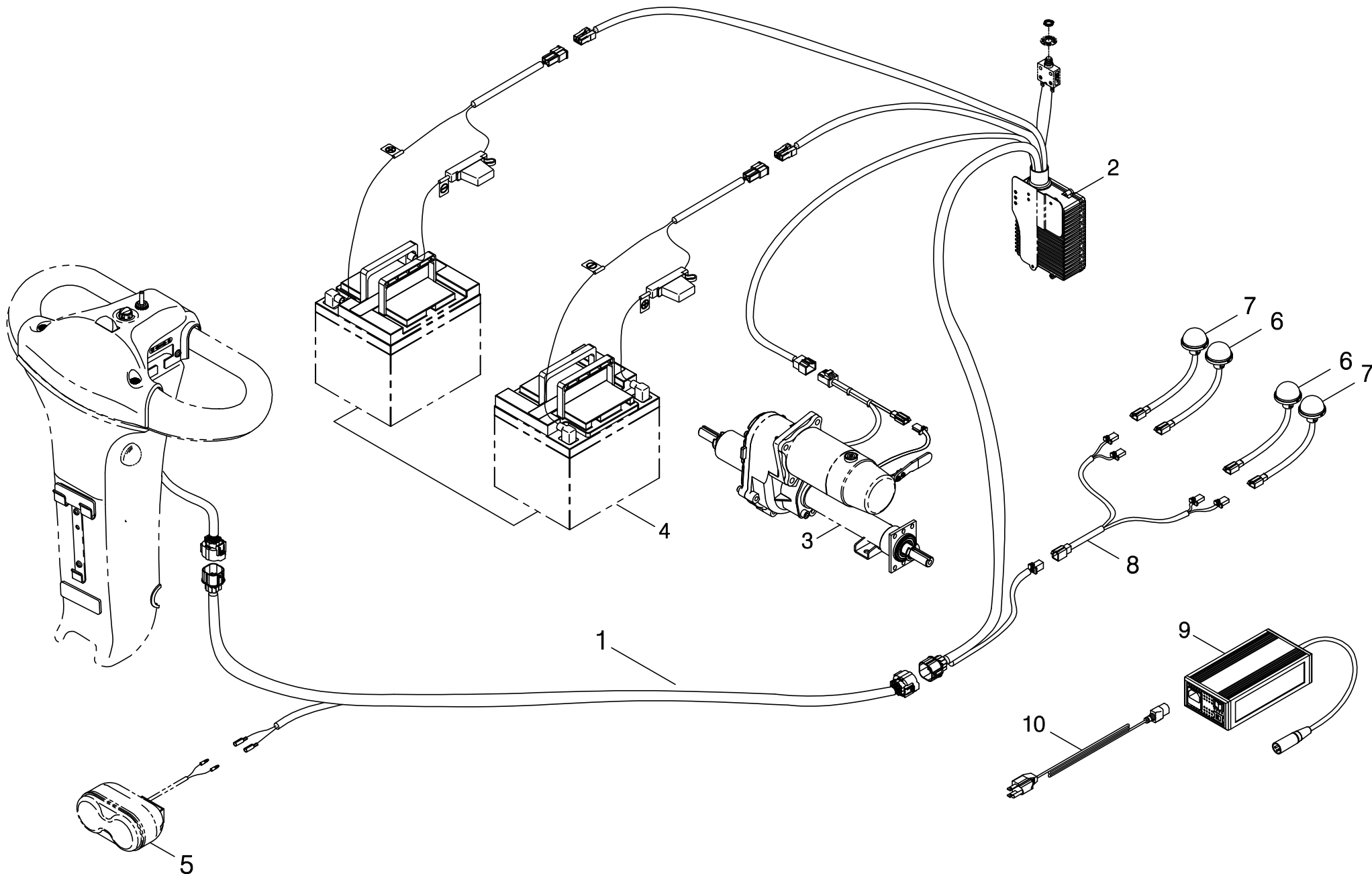
Index NO.	Part NO.	Qty.	Description	Specification	Remark
13	103606-67108-22	REF(1)	Delta Tiller Assembly, Burgundy Red	888SLN, Carbon Fiber Texture Coating	二合一環把總成(大)(氣壓棒)/CA08-888SLN 棗紅(蛇紋)(加燈)
7	-----	REF	PU Loop Handle Bar w/ Fixture Bracket		環把披覆+固定座/氣壓棒(小)
11	-----	REF	Handle bar cover assembly		把手蓋總成
12	-----	REF	Upper Controller Assembly		上控制總成
			-----*-----		
13	103606-67108-4A	REF(1)	Delta Tiller Assembly, Blue, w/ Lamp	888SLN, Carbon Fiber Texture Coating	二合一環把總成(大)(氣壓棒)/CA08-888SLN 孔雀藍(蛇紋)(加燈)
			-----*-----		
13	103606-67108-52	REF(1)	Delta Tiller Assembly, Black, w/ Gas Lift	888SLN, Carbon Fiber Texture Coating	二合一環把總成(大)(氣壓棒)/CA08-888SLN 亮光純黑(蛇紋)加燈
			-----*-----		



Index NO.	Part NO.	Qty.	Description	Specification	Remark
14-A	106202-88407-A3-1	1	Main Control Box Ass'y (w/ Bracket etc.)	AC2-70, for 888NR	下控制總成(環把)含固定片配件/888NR(AC2-70)
14-1	206221-88800-A4	1	Controller Assembly	AC2-70, A4	控制器/AC2-70(含盒)(A4)
14-2	206210-88100	1	Protection		護套(O)型環
14-3	207005-80507	1	Main control cable	NA-888-J11	主控制線/NA-888-J11
14-4	207003-89101	1	Power cable	+,KA-889-D1	電源線(正)/KA-889-D1
14-5	207004-89101	1	Power cable	-,KA-889-E1	電源線(負)/KA-889-E1
14-6	207014-88105	1	Connection Cable	KA-888-L8	連接線/KA-888-L8
14-7	206901-88111	1	Fuse	UL 10A	保險絲(盒式)/UL 10A
14-8	206901-88100	1	Fuse	2A	保險絲(盒式)/2A
14-9	206206-88101	1	Fuse housing		保險絲座/盒式
14-10	302002-01	1	Insulator	127*129m/m*0.25t	絕緣膠片/127*129m/m*0.25t
14-11	206209-77200-A2	1	Control box cover	UL8A/B	下控制盒蓋/UL8A/B(A2)
14-12	5022-04007-210	4	Spring washer	φ 4*7*1.25t,Multicolored galvanized	彈簧墊圈/φ 4*7*1.25t(五彩)
14-13	5005-04010-210	4	Philip Screw	M4*P0.7*10L,Multicolored galvanized	十字圓頭螺栓/M4*P0.7*10L(五彩)
14-14	301166-02	1	CE mark label	N66-2	CE貼紙/N66-2 透白
14-15	301174-17	1	Warning sticker	N74-17	警告貼紙/N74-17
14-16	-----	REF(1)	Decal		條碼貼紙
14-17	4001383-08-A2	1	Adaptor Bracket	A383-8	控制固定片/A383-8(A2)
-----	505201-00940-50	3	Cable Tie	CV-094B	束帶/CV-094B
-----	505201-01500-50	2	Cable tie	CV-150B	束帶/CV-150B
14-18	206207-88100	1	Circuit breaker	30A	安全開關/30A(含平墊、螺帽)
			-----*-----		
14-19	203510-70800	1	Rear Upper Lid	888SLN	後飾蓋/888SLN(真空)
14-20	5006-04012-713	2	Self Tapping Screw w/ Washer	M4*12L, Black Galvanized	自攻螺栓(鑽尾)帶墊/M4*12L(鍍黑鋅)

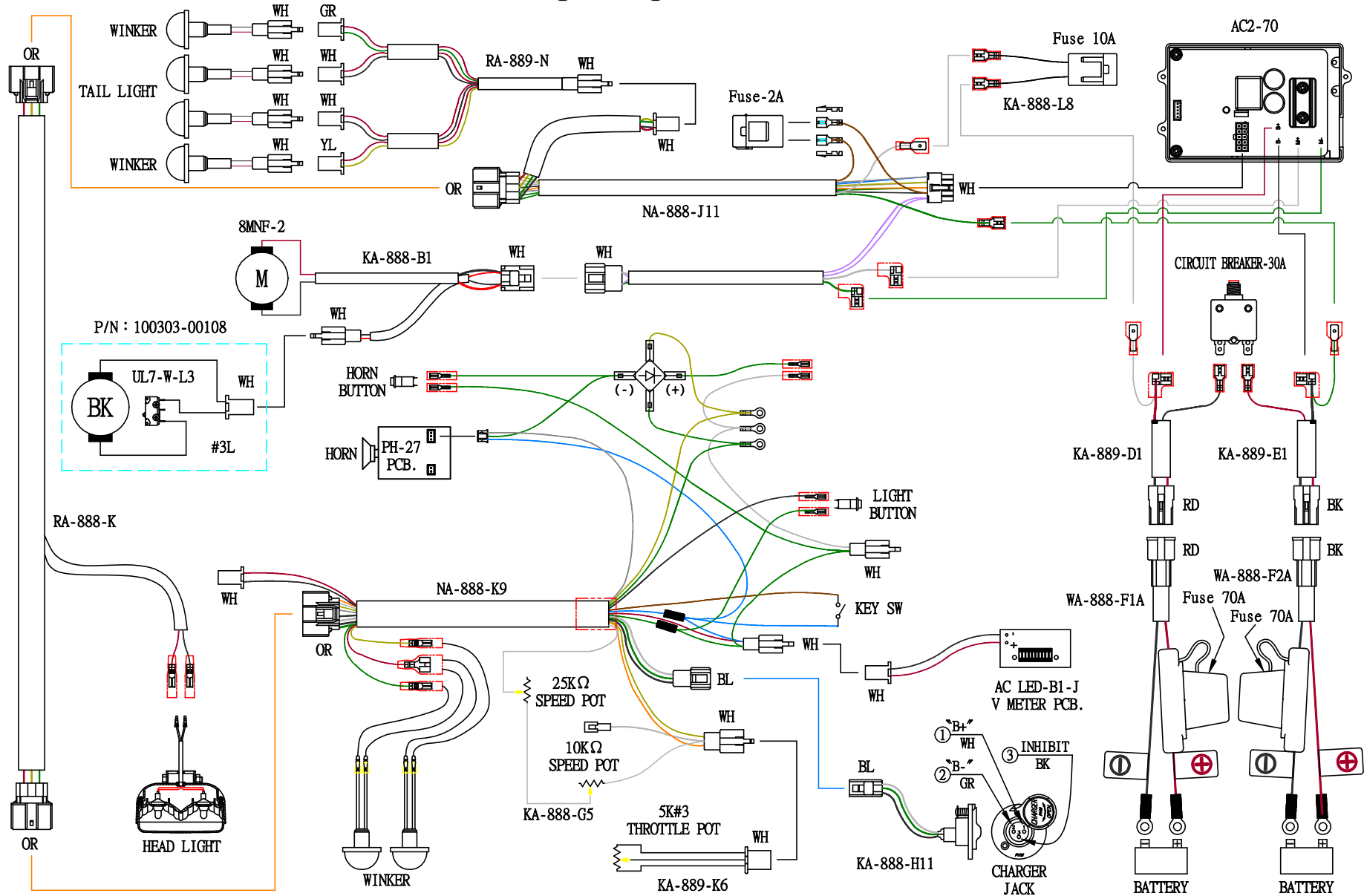


Index NO.	Part NO.	Qty.	Description	Specification	Remark
15-A	800501-672-00-A3	1	SLA Batteries w/ Battery Cables	778XLS/889XLS, 50Ah, A3	加電瓶模組/778XLS/889XLS(50Ah PIHSIANG)A3
15-1	109101-89210-50	2	SLA Battery w/ Plastic Handle	12V 50Ah ,w/ Packaging Box,PIHSIANG	電瓶(含手提把)/12V 50Ah(含紙箱)(PIHSIANG)
15-2	2370-00101-01	1	Battery Cable	+,WA-888-F1A,70A Fuse	電瓶線(正)/WA-888-F1A,70A Fuse
15-3	2370-00201-01	1	Battery Cable	-,WA-888-F2A,70A Fuse	電瓶線(負)/WA-888-F2A,70A Fuse
15-B	-----	REF(2)	Battery fuse 70A	Box type	保險絲(盒式)/70A
15-4	209913-88102	2	Protection	R,H13	電瓶線護套(紅)/H13(15*29)
15-5	209914-88102	2	Protection	B,H13	電瓶線護套(黑)/H13(15*29)
			-----*-----		
15-6	203508-70800	1	Bracket for Battery	888SLN, ABS	電瓶固定片(ABS)/888SLN(真空)
15-7	5021-08022-710	1	Flat Washer	φ 8*22*2t,Black Galvanized	平整圈/φ 8*22*2t(鍍黑鋅)
15-8	5016-08022-210	1	Wing Nut	M8*P1.25, 888SLN	翼形螺帽/M8*P1.25(888SLN)
15-9	4001142-24	2	Plate for Battery	A142-24, 888SLN	電瓶擋片/A142-24(888SLN)
15-10	5009-06020-710	2	Screw	M6*P1.0*20L,Black Galvanized	埋頭螺栓/M6*P1.0*20L(鍍黑鋅)(888SLN)
15-11	5012-06010-701	2	Nylon lock nut	M6*P1.0*10*6t,Black Galvanized	尼龍螺帽/M6*P1.0*10邊*6t(鍍黑鋅)
15-12	301111-13	6	Indication Sticker	N11-13	方向指示貼紙/N11-13



Index NO.	Part NO.	Qty.	Description	Specification	Remark
16	-----		Control and battery wiring illustration		控制及電瓶導線總成
16-1	207011-67100	1	Control Connection Cable	RA-888-K	控制連接線/RA-888-K
			-----*-----		
16-2	-----	REF(1)	Main Control Box Ass'y (w/ Bracket etc.)	AC2-70, for 888NR	下控制總成(含固定片配件)/888NR(AC2-70)
			-----*-----		
16-3	-----	REF(1)	Drive-train Assembly	8MNF-2, #3, 888SLN (#1A)	馬達剎車變速箱總成/8MNF-2+(#3)+888SLN(#1A)
			-----*-----		
16-4	-----	REF(2)	SLA Battery w/ Plastic Handle	12V 50Ah ,w/ Packaging Box,PIHSIANG	電瓶(含手提把)/12V 50Ah(含紙箱)(PIHSIANG)
			-----*-----		
16-5	-----	REF(1)	Head light assembly	E-1	眼鏡燈總成/E-1(FA-51)(含螺帽)(@)
			-----*-----		
16-6	-----	REF(2)	Winker/Indicator		方向燈/圓型/插頭(琥珀色)(HDY001)(A3)
16-7	-----	REF(2)	Taillight Set		尾燈總成/圓型/插頭(紅色)(HDY001)
			-----*-----		
16-8	-----	REF(1)	Winker cable	RA-889-N	方向燈線/RA-889-N
			-----*-----		
16-9	109201-88127	1	Off-board Charger, 4C24040, 110V	4A, for AGM & GEL Type SLA Battery	充電機(鉛酸/膠狀電瓶共用)/4C24040,4A(110V)
16-10	209201-88104	1	Power cord	North America,Asia,4ft	充電機電源線/美洲、亞洲,4ft

Wiring Diagram for TE-888SLN



Color Synopsis

- BL:BLUE
- BK:BLACK
- RD:RED
- YL:YELLOW
- OR:ORANGE
- VI:PURPLE
- GR:GREEN
- GY:GRAY
- WH:WHITE
- BR: BROWN
- PK: PINK
- LB: LIGHT BLUE

DWG.NO : AC2-70-096
 EDITION : A0

APPENDIX(1)

[back to contents](#)