

GMP
ISO9001
ISO14001
ISO13485
CERTIFIED

PIHSIANG®

SHOPRIDER®

MODEL: **P424M**



(PATENTED)

PIHSIANG MACHINERY MFG. CO., LTD.

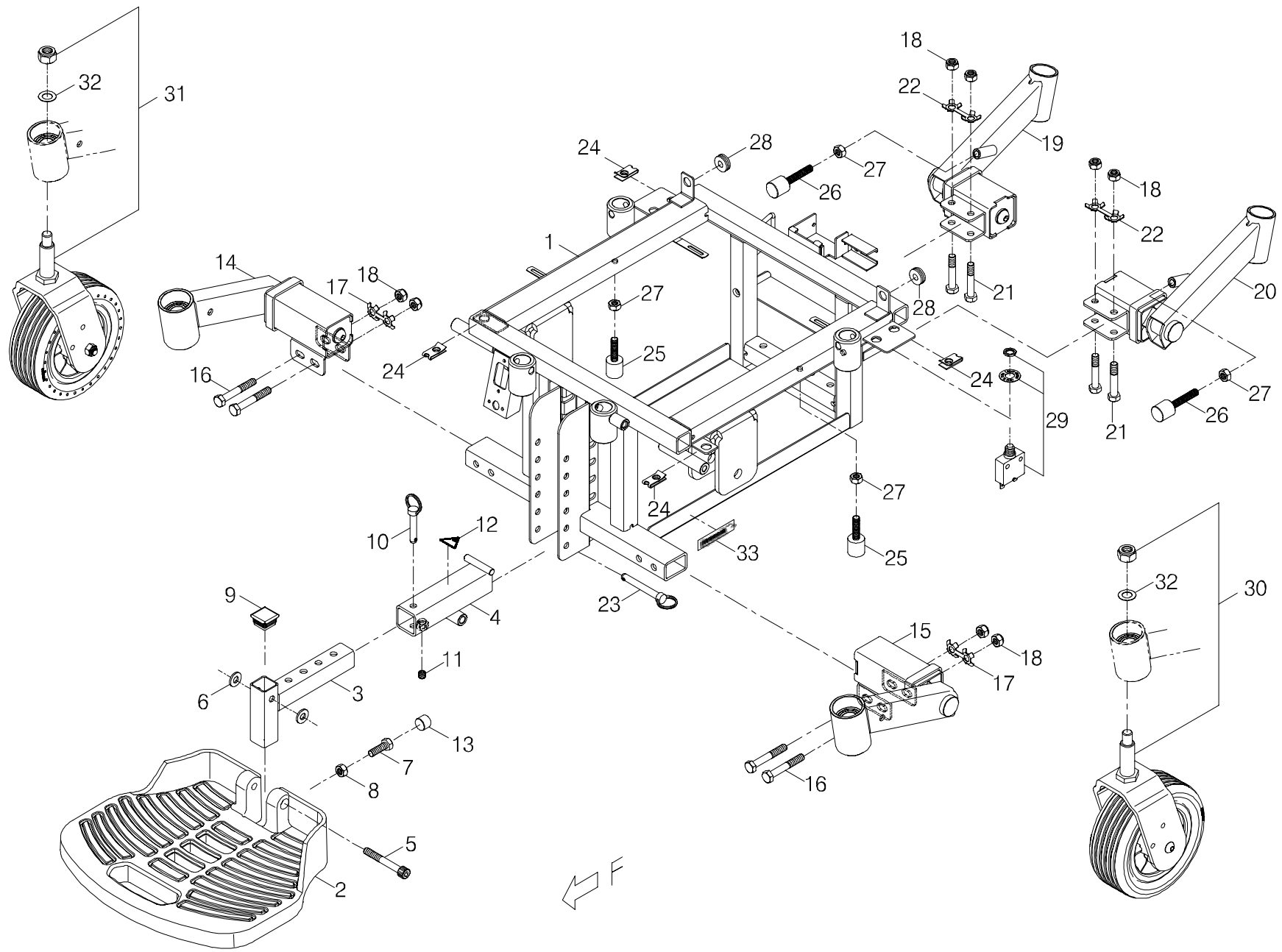
*NO.108, HSIN-HE ROAD, HSIN-FENG HSIANG 304
HSINCHU COUNTY, TAIWAN*

<FRONT PAGE=
P424M

TABLE OF CONTENTS
ILLUSTRATION

<NOTE FOR USE>

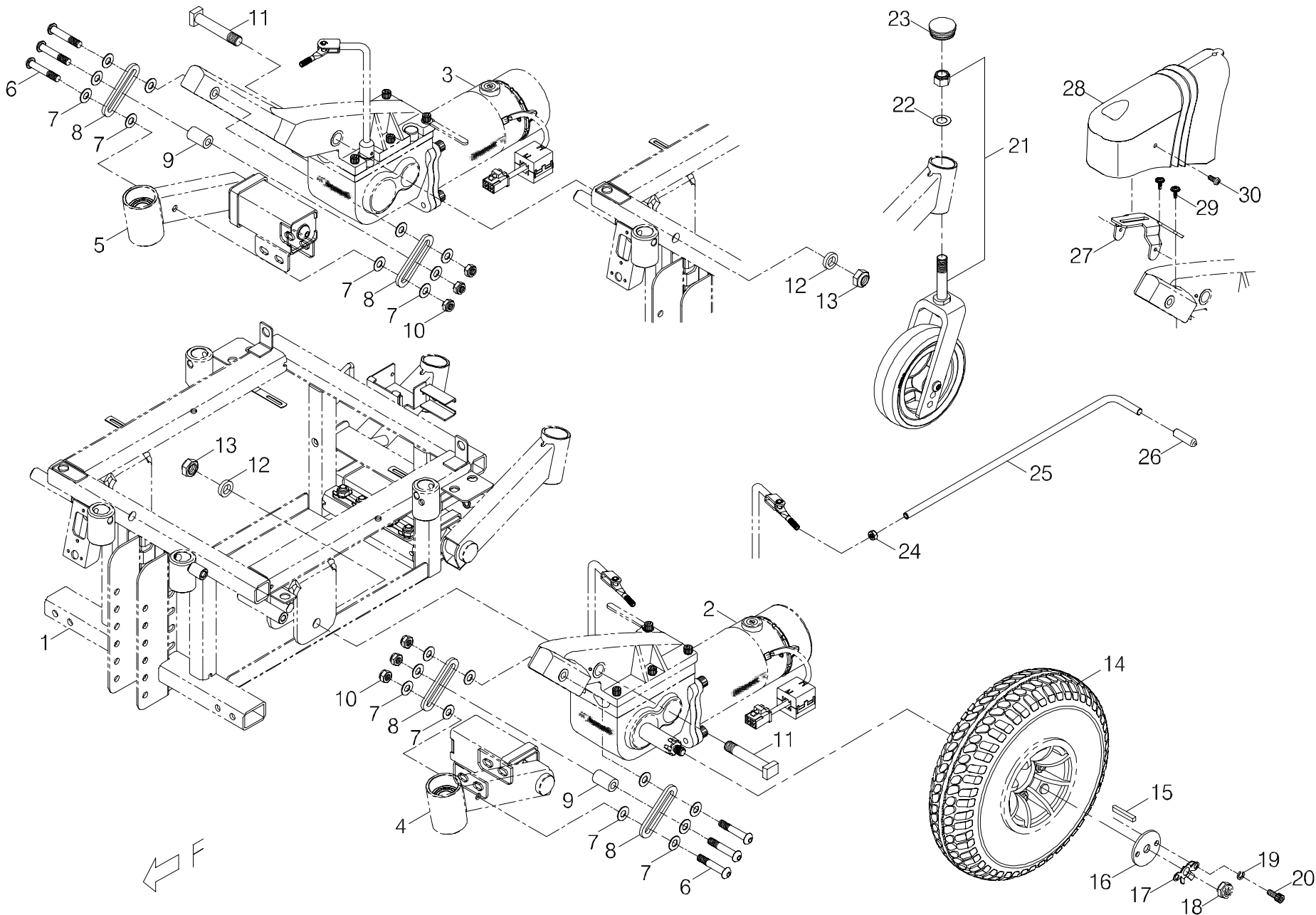
INDEX.1	FRAME ASSEMBLY ILLUSTRATION	車架總成	1-1~2
INDEX.2	FRAME ASSEMBLY ILLUSTRATION	車架總成	2-1~2
INDEX.3	FRAME ASSEMBLY ILLUSTRATION	車架總成	3-1~2
INDEX.4	DRIVE-TRAIN ASSEMBLY	馬達剎車減速箱總成	4-1~2
INDEX.5	DRIVE-TRAIN ASSEMBLY	馬達剎車減速箱總成	5-1~2
INDEX.6	MOTOR ASSEMBLY	馬達總成	6-1
INDEX.7	REAR WHEEL ASSEMBLY	後輪總成	7-1
INDEX.8	SEAT ASSEMBLY	座椅總成	8-1
INDEX.9	SEAT , ARM ASSEMBLY	座椅扶手總成	9-1
INDEX.10	CHASSIS COVER ASSEMBLY	蓋板總成	10-1
INDEX.11	SHROUD CANDY RED FULL	輪側蓋總成	11-1~2
INDEX.12	BATTERY KIT	電瓶總成	12-1
INDEX.13	CONTROL AND BATTERY WIRING ILLUSTRATION	控制及電瓶導線總成	13-1
	APPENDIX (1)	附錄 (1)	



INDEX.1

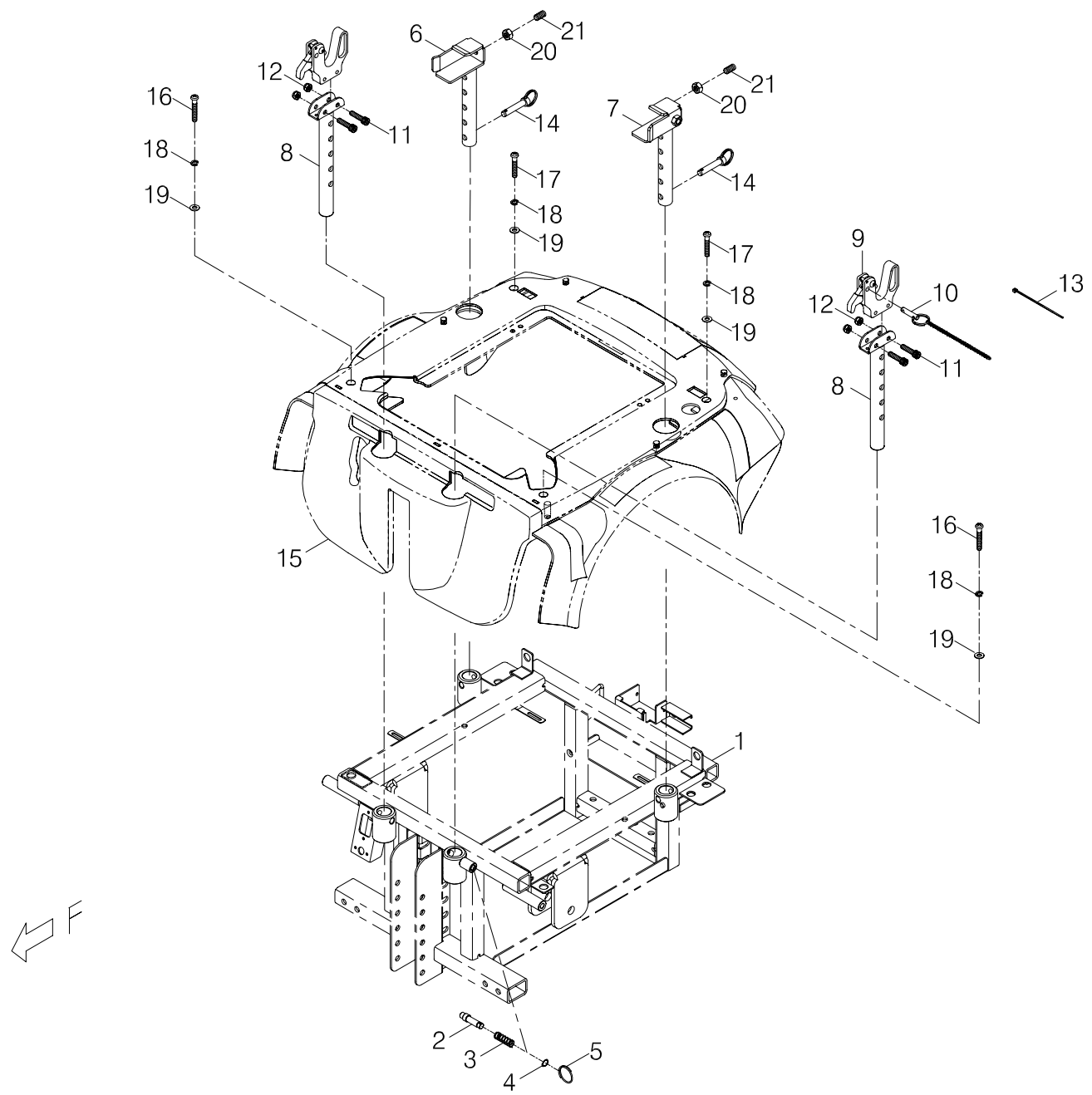
Index NO.	Part NO.	Qty.	Description	Specification	Remark
1	-----		Frame assembly illustration		車架總成
1-1	1321-00108-00-A6	1	Chassis	HOTSPOT-M(A6)	車架/G424M(A6)
			-----*-----		
1-2	2329-00100-10-B3	1	Footrest	Black Texture Coating,HOTSPOT-M/F(B3)	腳踏板(加肋厚及4螺孔)/黑綿綿漆,G424M/L(B3)
1-3	1329-00400-09	1	Adjustable Tubing for Footplate	G424M/L,888WAM/L	踏板伸縮管/G424M/L,888WAM/L
1-4	1329-00400-10	1	Sleeve for Footplate Ass'y	G424M/L,888WAM/L	伸縮連接架/G424M/L,888WAM/L
1-5	5002-08060-720	1	CAP HEAD ALLEN SCREW	M8*P1.25*60L,Black Galvanized	圓頭內六角鋼栓 12.9級/M8*P1.25*60L半牙(鍍黑鋅)
1-6	4001406-05	2	Flat Washer	A406-5, 8.5*18*2t	平墊圈/A406-5(8.5*18*2t)G424M/L
1-7	5001-08025-710	1	Hex head screw	M8*P1.25*25L,Black Galvanized	外六角螺絲/M8*P1.25*25L(鍍黑鋅)G424M/L
1-8	5011-08013-700	1	Hex Nut	M8*P1.25*13,Black Galvanized	六角螺帽/M8*P1.25*13邊(鍍黑鋅)G424M/L
1-9	202303-88104	2	Ball butoon	Short,25*25	管塞/(短)25*25
1-10	202922-88100	1	Pin	7.8*40L,PP08040B	連接銷/7.8*40L(PP08040B)
1-11	5004-08008-311	1	Socket Screw	M8*1.25*8L	無頭螺絲(耐落)/M8*1.25*8L(G424M/L)
1-12	301123-11	1	Patent Warning Sticker	N23-11	三角型警告專利貼紙/N23-11/UL7
1-13	209929-77401	1	Rubber Cover	Black, 12*12L	膠套(黑)/12*12L(UL7-WR)
			-----*-----		
1-14	2345-00401-00	1	Elastomer Mini	10",RF	扭力桿(右前)/10"F(G424M)含6003RS軸承
1-15	2345-00400-00	1	Elastomer Mini	10",LF	扭力桿(左前)/10"F(G424M)含6003RS軸承
1-16	5001-08055-720	4	Hex Head Bolt	M8*P1.25*55L,Black Galvanized	外六角鋼栓 12.9級/M8*P1.25*55L 半牙(鍍黑鋅)G424
1-17	4001481-02	2	Locking tab washer	A481-2	螺絲防鬆片/A481-2(G424M/L扭力桿前)
1-18	5012-08013-700	8	Nyloc Nut	M8*P1.25*13,7.8t,Black Galvanized	尼龍螺帽/M8*P1.25*13邊7.8t(鍍黑鋅)
			-----*-----		
1-19	2345-00403-00	1	Elastomer Mini	10",RR	扭力桿(右後)/10"R(G424M)含6001RS軸承
1-20	2345-00402-00	1	Elastomer Mini	10",LR	扭力桿(左後)/10"R(G424M)含6001RS軸承

Index NO.	Part NO.	Qty.	Description	Specification	Remark
1-21	5001-08045-720	4	Hex Head Bolt	M8*P1.25*45L,Black Galvanized	外六角鋼栓 8.8級/M8*P1.25*45L 半牙(鍍黑鋅)G424
1-22	4001481-03	2	Locking tab washer	A481-3	螺栓防鬆片/A481-3(G424M/L扭力桿後)
			-----*-----		
1-23	202922-00201	1	Connecting pin	8.0*60L	連接銷/ 8.0*60L (G424M/L)
1-24	202921-88100	4	U type plate nut	Close	螺絲固定片/(閉口)
1-25	202904-00100	2	Set,Screw	20L,Black galvanized,Rubber	定位螺栓 橡膠頭 G424M/頭 20*20L 牙長30mm
1-26	202904-00101	2	Set,Screw	20L,Black galvanized,Rubber	定位螺栓 橡膠頭 G424M/L/頭 20*20L 牙長45mm
1-27	5011-08013-700	4	Hex Nut	M8*P1.25*13,Black Galvanized	六角螺帽/M8*P1.25*13邊(鍍黑鋅)G424M/L
1-28	209937-00100	2	Rubber ring	9.5/ 12/ 20/8T,HOTSPOT-M/F	橡膠環/ 9.5/ 12/ 20/8T(G424M/L)
1-29	206207-88102	1	Circuit Breaker	50A	安全開關/50A(含平墊、螺帽)
			-----*-----		
1-30	1351-00601-00-A3	1	Caster assembly	149*50,Left(A3),HOTSPOT-M/F	(瞬間膠合)前活動輪總成(左)委外/149*50 G424M/L(黑色塑膠輪圈)A3
1-31	1351-00602-00-A3	1	Caster assembly	149*50,Right(A3),HOTSPOT-M/F	(瞬間膠合)前活動輪總成(右)委外/149*50 G424M/L(黑色塑膠輪圈)A3
1-32	5021-12021-210	2	Flat Washer	12*21*0.5t,Multicolored Galvanized	平墊圈/ 12*21*0.5t(五彩)
1-33	-----	REF(2)	Decal		條碼貼紙



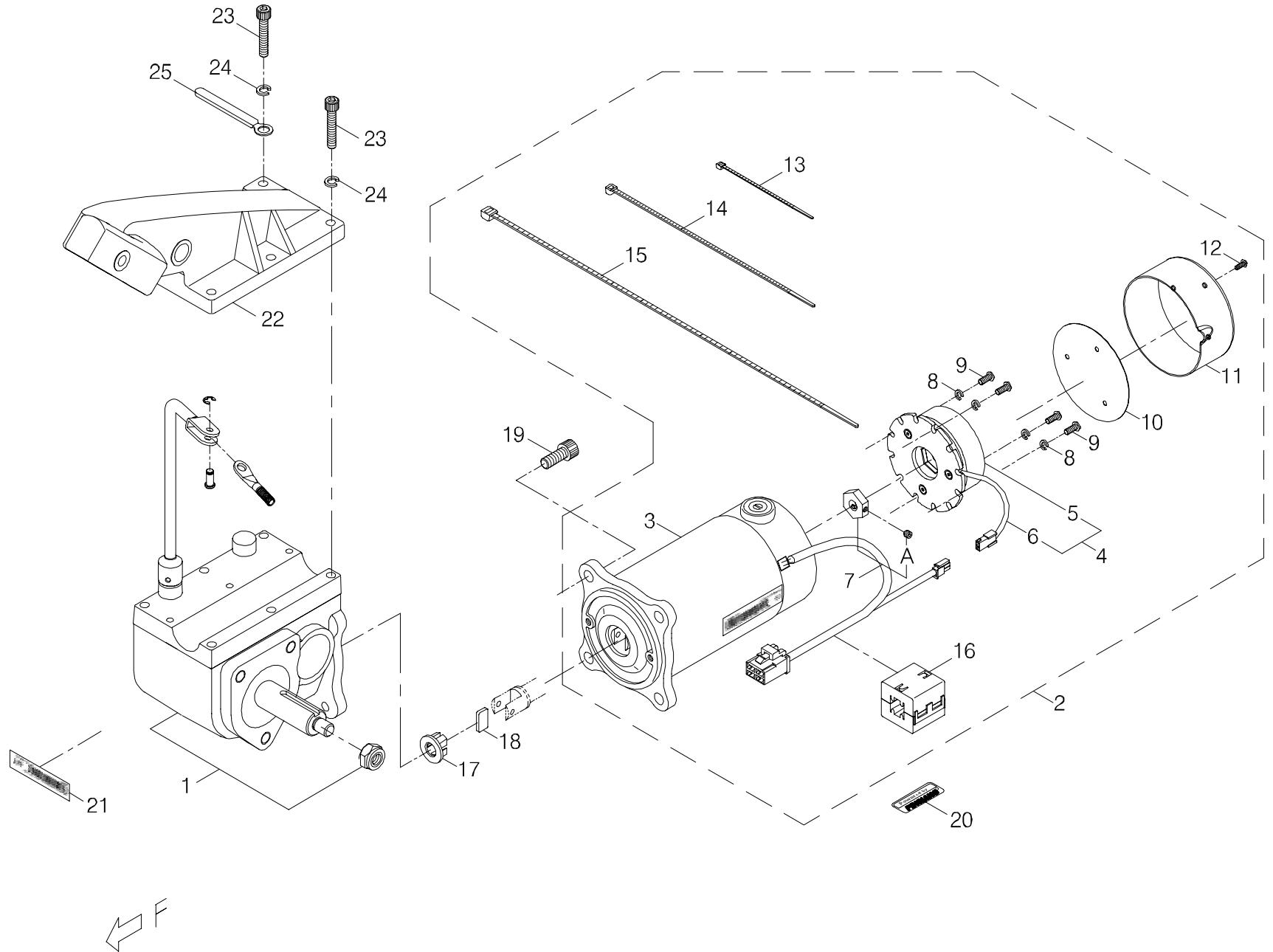
INDEX.2

Index NO.	Part NO.	Qty.	Description	Specification	Remark
2	-----		Frame assembly illustration		車架總成
2-1	-----	REF(1)	Chassis		車架
			-----*-----		
2-2	-----	REF(1)	Drive-Train Assembly		馬達剎車減速箱總成
2-3	-----	REF(1)	Drive-Train Assembly		馬達剎車減速箱總成
			-----*-----		
2-4	-----	REF(1)	Elastomer Mini		扭力桿(左前)
2-5	-----	REF(1)	Elastomer Mini		扭力桿(右前)
2-6	5003-08045-720	6	ALLEN BUTTON HEAD SCREW	M8*P1.25*45L,15L,Black Galvanized	半圓頭內六角鋼栓G424M/L/M8*P1.25*45L牙長15L (鍍黑鋅)
2-7	4001406-04	20	Flat Washer	A406-4, 8.5*18*1t	平墊圈/A406-4 (8.5*18*1t)G424M/L
2-8	4001288-03	4	Plate	A288-3	環片/A288-3(G424M/L)
2-9	209929-00101	2	Polyurethane roller	8.5* 16*27L,HOTSPOT-M/F	膠管/ 8.5* 16*27L(G424M/L)
2-10	5012-08013-701	6	Nyloc Nut	M8*P1.25*13 6t,Black Galvanized	尼龍螺帽/M8*P1.25*13邊6t (鍍黑鋅)
			-----*-----		
2-11	4003048-05	2	Front fork shaft	C48-5,M12*P1.25*68L,Multicolor	前叉軸/C48-5 (M12*P1.25*68L)五彩
2-12	4005006-00	2	Spacer	H6, 12ID* 20OD*4.5T	間隔圈/H6(12 ID* 20 OD*4.5T)
2-13	5014-12019-210	2	Self-lock nut	M12*P1.25*19,Multicolored Galvanized	防鬆螺帽/M12*P1.25*19邊 (五彩)
			-----*-----		
2-14	-----	REF(2)	Rear wheel assembly		後輪總成
2-15	505301-00505-02	2	Drive Key	5*5*35	單頭圓鍵/5*5*35
2-16	4001364-03	2	Flat Washer	A364-3, 10.5*45*3t	平墊圈/A364-3 (10.5*45*3t)/PHFW
2-17	4001481-01	2	Locking tab washer	A481-1	螺栓防鬆片/A481-1(G424M/L輪胎)
2-18	-----	REF(2)	Nylon lock nut		尼龍螺帽
2-19	5022-06010-210	4	Spring Washer	6*10, Multicolored Galvanized	彈簧墊圈/ 6*10 (五彩)

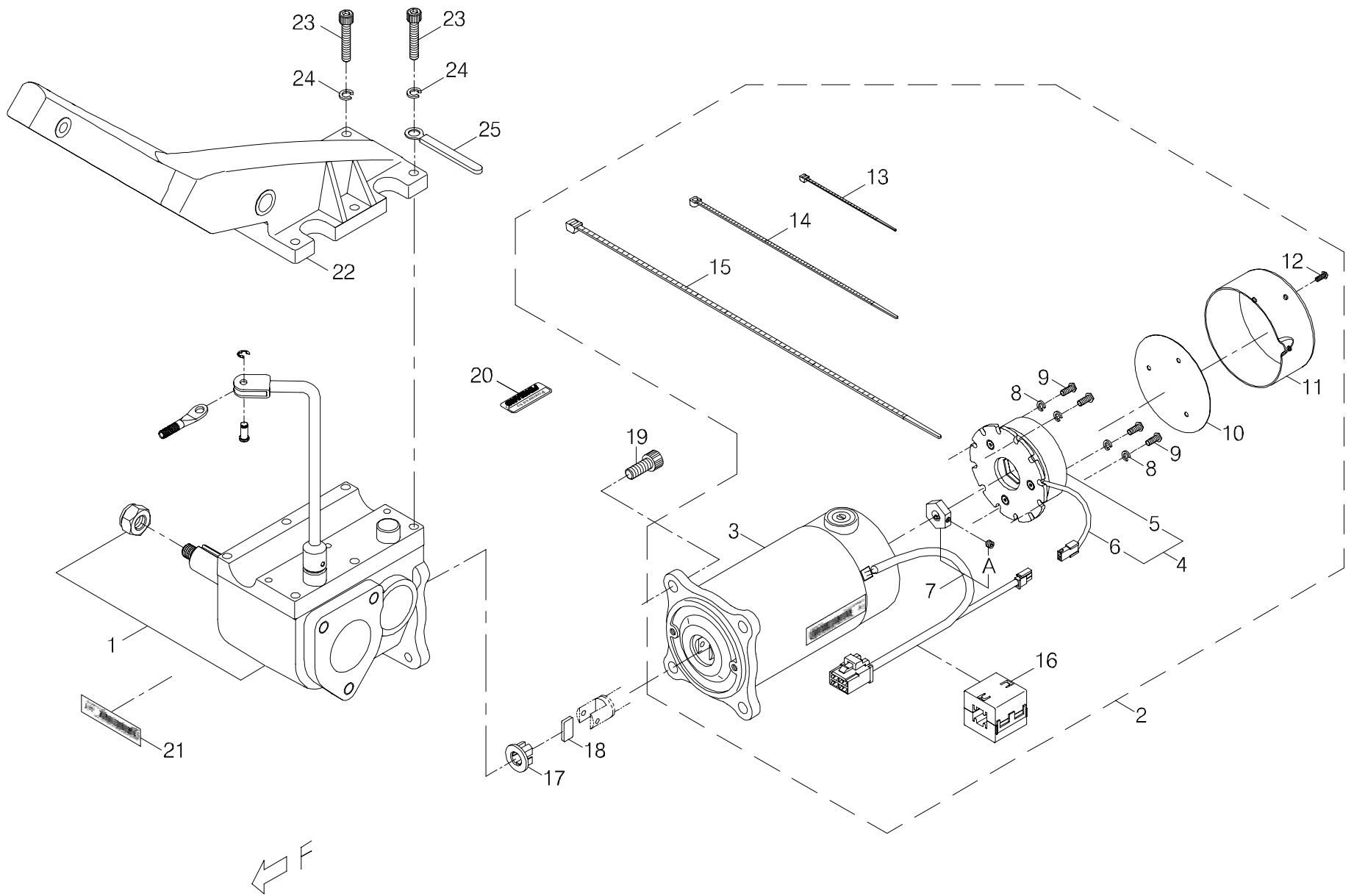


INDEX.3

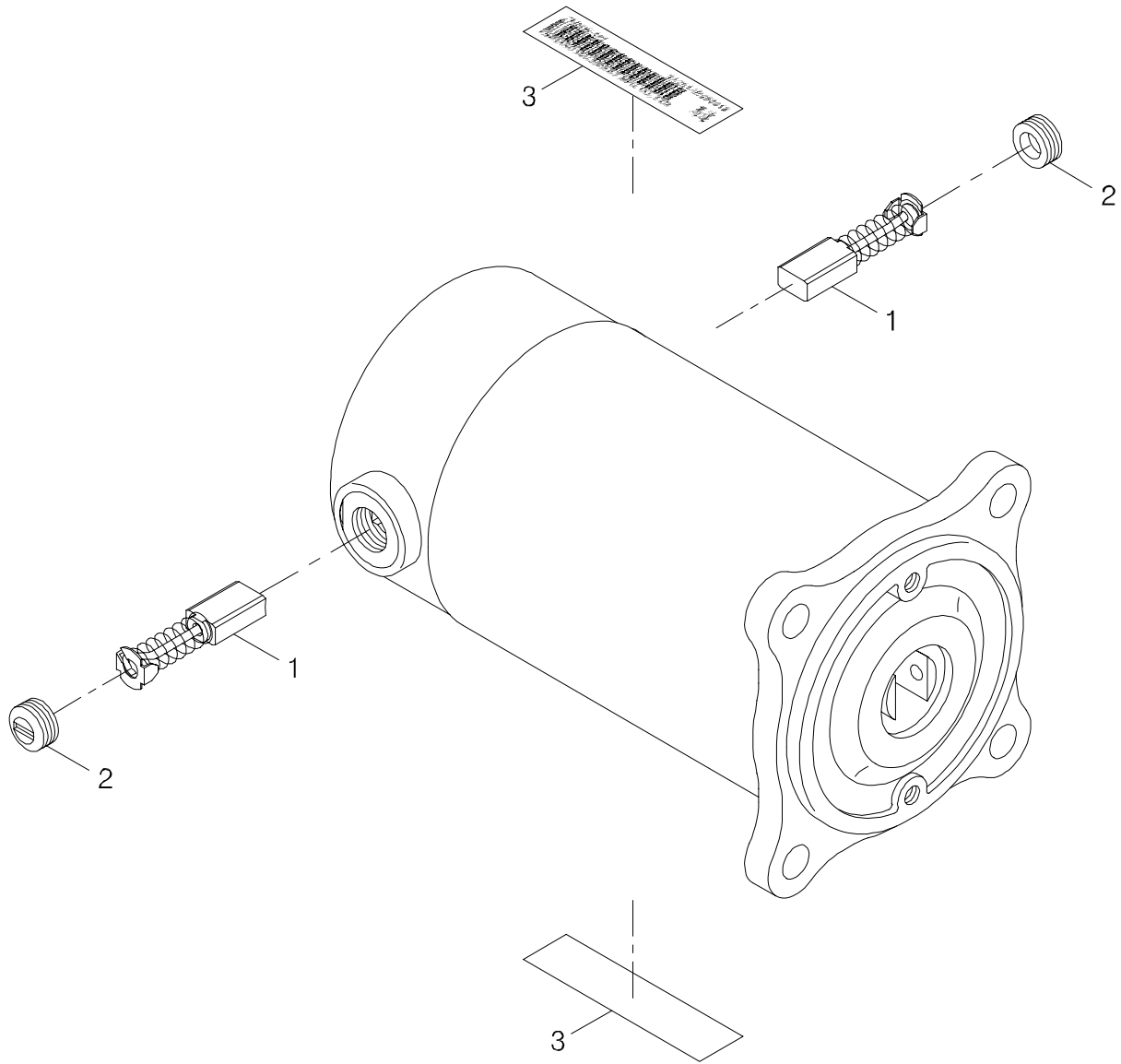
Index NO.	Part NO.	Qty.	Description	Specification	Remark
3	-----		Frame assembly illustration		車架總成
3-1	-----	REF(1)	Chassis		車架
			-----*-----		
3-2	4003291-02	1	Pin	C291-2	固定銷/C291-2/G424M/L
3-3	202929-00100	1	SPRING FOR LOCKING PIN	0.8*10*30L	壓簧G424M/L/ 0.8*10*30L(C291-2固定銷用)
3-4	505401-00800-00	1	Snap ring	STW-8,Black	C型扣環 S型/STW-8 (染黑)G424M/L
3-5	204512-66700	1	Ring	1.5* 25.4	拉環/1.5* 25.4
			-----*-----		
3-6	1340-00302-00-A3	1	Strut	HOTSPOT-M/F,RR	支撐柱/右後(G424M/L)(A3)
3-7	1340-00301-00-A3	1	Strut	HOTSPOT-M/F,RL	支撐柱/左後(G424M/L)(A3)
3-8	1340-00303-00-A2	2	Strut	HOTSPOT-M/F,F	支撐柱/前(G424M/L)(A2)
3-9	202913-00101	2	Bracket	HOTSPOT-M/F	座椅鎖扣/G424M/L(加孔)
3-10	202922-00200	1	Connecting pin	6.3*30L,ID 12	連接銷(含鍊條)G424M/L/ 6.3*30L(環ID 12鏈條80L)
3-11	5002-06025-720	4	CAP HEAD ALLEN SCREW	M6*P1.0*25L,Black Galvanized	圓頭內六角鋼栓 12.9級/M6*P1.0*25L (鍍黑鋅)G424M/L
3-12	5012-06010-701	4	Nyloc Nut	M6*P1.0*10*6t,Black Galvanized	尼龍螺帽/M6*P1.0*10邊*6t (鍍黑鋅)
3-13	505201-00940-50	1	Cable Tie	CV-094B	束帶/CV-094B
3-14	202922-88100	2	Pin	7.8*40L,PP08040B	連接銷/ 7.8*40L (PP08040B)
			-----*-----		
3-15	-----		Chassis cover assembly		蓋板總成
3-16	5005-06038-710	2	Screw	M6*P1.0*38L,Black Galvanized	十字圓頭螺栓/M6*P1.0*38L 半牙(鍍黑鋅)
3-17	5005-06025-710	2	Screw	M6*P1.0*25L,SUS,Black Galvanized	十字圓頭螺栓/M6*P1.0*25L (鍍黑鋅)
3-18	5022-06010-210	4	Spring Washer	6*10, Multicolored Galvanized	彈簧墊圈/ 6*10 (五彩)
3-19	5021-06013-711	4	Flat Washer	6.5*13*1t,Black Galvanized	平墊圈/ 6.5*13*1t(鍍黑鋅)
3-20	5011-08013-700	2	Hex Nut	M8*P1.25*13,Black Galvanized	六角螺帽/M8*P1.25*13邊 (鍍黑鋅)G424M/L



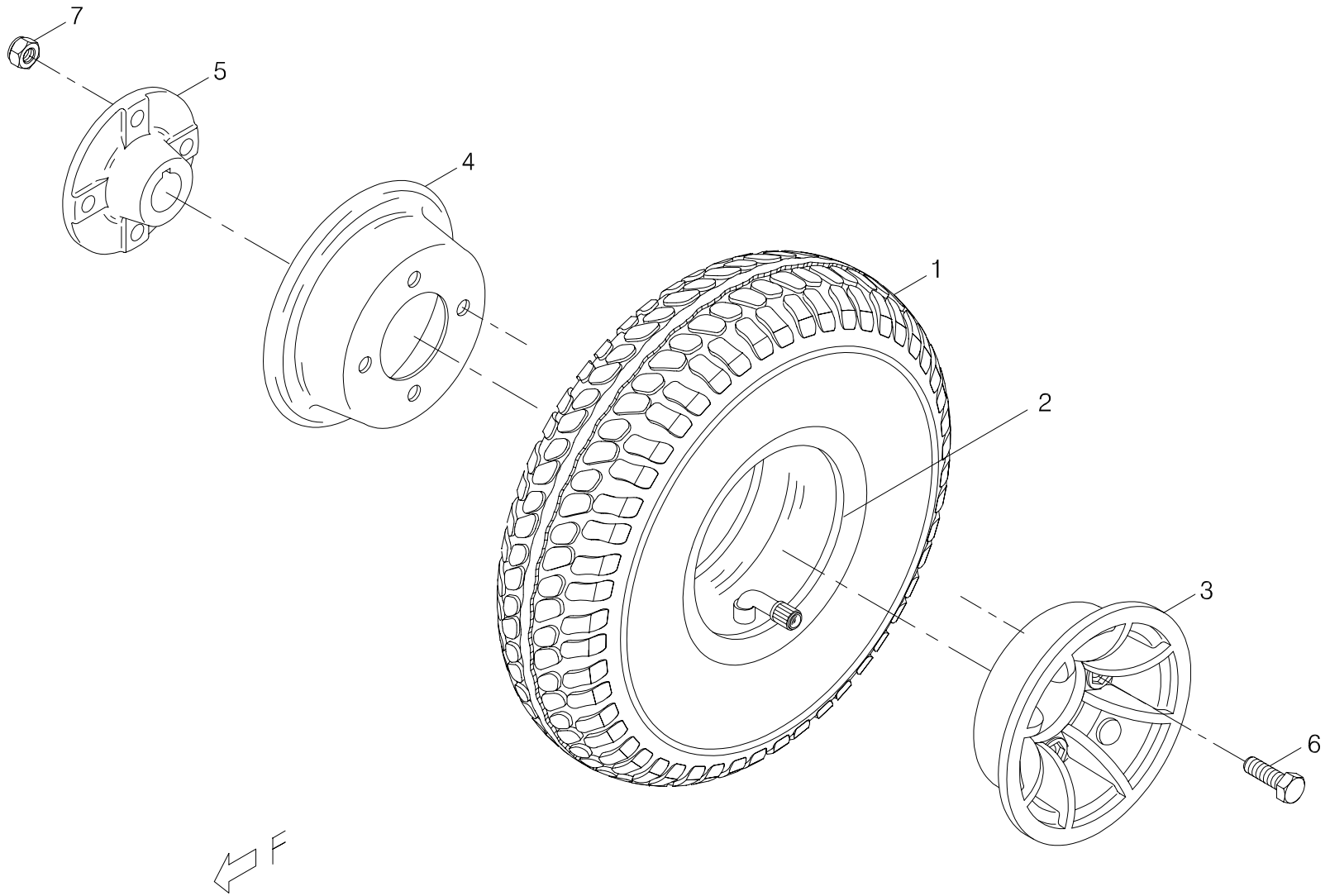
Index NO.	Part NO.	Qty.	Description	Specification	Remark
4	1300-00600-02-A4	1	Drive-Train Assembly	Left, Gearbox(#8-1), 8MNW-4, #9, A4	馬達剎車減速箱總成/左#8-1,8MNW-4(G424M)+(#9)A4
4-1	1304-00402-01-A2	1	Worm Gearbox, Left	#8-1(C)/21:1, Black, YRS-15,40Cr,A2	蝸輪減速箱(左)(G424M/L)(C)#8-1/21:1(黑色)YRS-15(40Cr)A2
4-2	1301-00106-05-A3	1	Motor and Brake Assembly	8MNW-4(Black), #9, w/ Ferrite	馬達剎車總成/8MNW-4(黑色)+(#9)+磁粉蕊
4-3	1302-00202-02	1	Motor Assembly	8MNW-4, G424M	馬達(總成)/8MNW-4(G424M)
4-4	100303-00100-A3	1	Electromagnetic brake assembly	#9(A3),GM-424-C	電磁剎車加工總成#9/#9(A3)焊GM-424-C
4-5	100302-88102-A4	1	Electromagnetic Brake Assembly	#9, WR198A213P1, A4	電磁剎車總成#9/WR198A213P1(A4)
4-6	2370-01000-00	1	Charging cable	GM-424-C	剎車線/GM-424-C
-----	9004-001	REF	Heat shrink sleeve	F3,3*0.25	熱縮套管(不含膠)/F3(3*0.25)
-----	9004-013	REF	Heat shrink sleeve	F34-10, 10*0.15T	熱縮套管(不含膠)/F34-10(10*0.15T)
4-7	200302-88101	1	Driving Hex Axle for Brake Disc	#2-1,787N	剎車六角軸套/#2-1 (787N)
4-A	-----	REF(2)	Nylok socket screw		耐落無頭螺柱
4-8	5022-04007-210	4	Spring Washer	4*7*1.25t, Multicolored Galvanized	彈簧墊圈/ 4*7*1.25t (五彩)
4-9	5005-04010-210	4	Philip Screw	M4*P0.7*10L,Multicolored Galvanized	十字圓頭螺柱/M4*P0.7*10L (五彩)
4-10	209908-00100	1	Heat sink	HOTSPOT-M,ET1B	散熱片/G424M/L,ET1B
-----	9004-011	REF	Radiating grease		散熱膏
4-11	4001458-02	1	EM brake cover	A458-2	電磁剎車蓋/A458-2(G424M/L,ET1B)
4-12	5005-03008-710	3	Screw	M3*P0.5*8L,Black Galvanized	十字圓頭螺柱/M3*P0.5*8L(鍍黑鋅)G424M/L,ET1B
4-13	505201-00940-50	1	Cable Tie	CV-094B	束帶/ CV-094B
4-14	505201-02000-50	1	cable Tie	CV-200B	束帶/ CV-200B
4-15	505201-03680-00	2	cable Tie	CV-368B	束帶/ CV-368B(G424M/ET1B)
4-16	206216-88100	1	Magnetic core	EM01	磁粉蕊/EM01
4-17	200904-88100	1	Joint Adapter		變速箱連接襯套
4-18	200905-88100	1	Plate for Joint Adapter		變速箱連接片
4-19	5002-08020-220	4	CAP HEAD ALLEN SCREW	M8*P1.25*20L,Multicolored Galvanized	圓頭內六角鋼柱 12.9級/M8*P1.25*20L (五彩)



Index NO.	Part NO.	Qty.	Description	Specification	Remark
5	1300-00601-02-A4	1	Drive-Train Assembly	Right, Gearbox(#8-1), 8MNW-4, #9, A4	馬達剎車減速箱總成/右#8-1,8MNW-4(G424M)+(9)A4
5-1	1304-00403-01-A2	1	Worm Gearbox, Right	#8-1(C)/21:1, Black, YRS-15,40Cr A2	蝸輪減速箱(右)(G424M/L)(C)/#8-1/21:1(黑色)YRS-15(40Cr)A2
5-2	1301-00106-05-A3	1	Motor and Brake Assembly	8MNW-4(Black), #9, w/ Ferrite	馬達剎車總成/8MNW-4(黑色)+(9)+磁粉蕊
5-3	1302-00202-02	1	Motor Assembly	8MNW-4, G424M	馬達(總成)/8MNW-4(G424M)
5-4	100303-00100-A3	1	Electromagnetic brake assembly	#9(A3),GM-424-C	電磁剎車加工總成#9/#9(A3)焊GM-424-C
5-5	100302-88102-A4	1	Electromagnetic Brake Assembly	#9, WR198A213P1, A4	電磁剎車總成#9/WR198A213P1(A4)
5-6	2370-01000-00	1	Charging cable	GM-424-C	剎車線/GM-424-C
-----	9004-001	REF	Heat shrink sleeve	F3,3*0.25	熱縮套管(不含膠)/F3(3*0.25)
-----	9004-013	REF	Heat shrink sleeve	F34-10, 10*0.15T	熱縮套管(不含膠)/F34-10(10*0.15T)
5-7	200302-88101	1	Driving Hex Axle for Brake Disc	#2-1,787N	剎車六角軸套/#2-1 (787N)
5-A	-----	REF(2)	Nylok socket screw		耐落無頭螺栓
5-8	5022-04007-210	4	Spring Washer	4*7*1.25t, Multicolored Galvanized	彈簧墊圈/ 4*7*1.25t (五彩)
5-9	5005-04010-210	4	Philip Screw	M4*P0.7*10L,Multicolored Galvanized	十字圓頭螺栓/M4*P0.7*10L (五彩)
5-10	209908-00100	1	Heat sink	HOTSPOT-M,ET1B	散熱片/G424M/L,ET1B
-----	9004-011	REF	Radiating grease		散熱膏
5-11	4001458-02	1	EM brake cover	A458-2	電磁剎車蓋/A458-2(G424M/L,ET1B)
5-12	5005-03008-710	3	Screw	M3*P0.5*8L,Black Galvanized	十字圓頭螺栓/M3*P0.5*8L(鍍黑鋅)G424M/L,ET1B
5-13	505201-00940-50	1	Cable Tie	CV-094B	束帶/CV-094B
5-14	505201-02000-50	1	cable Tie	CV-200B	束帶/CV-200B
5-15	505201-03680-00	2	cable Tie	CV-368B	束帶/CV-368B(G424M/ET1B)
5-16	206216-88100	1	Magnetic core	EM01	磁粉蕊/EM01
5-17	200904-88100	1	Joint Adapter		變速箱連接襯套
5-18	200905-88100	1	Plate for Joint Adapter		變速箱連接片
5-19	5002-08020-220	4	CAP HEAD ALLEN SCREW	M8*P1.25*20L,Multicolored Galvanized	圓頭內六角鋼栓 12.9級/M8*P1.25*20L (五彩)

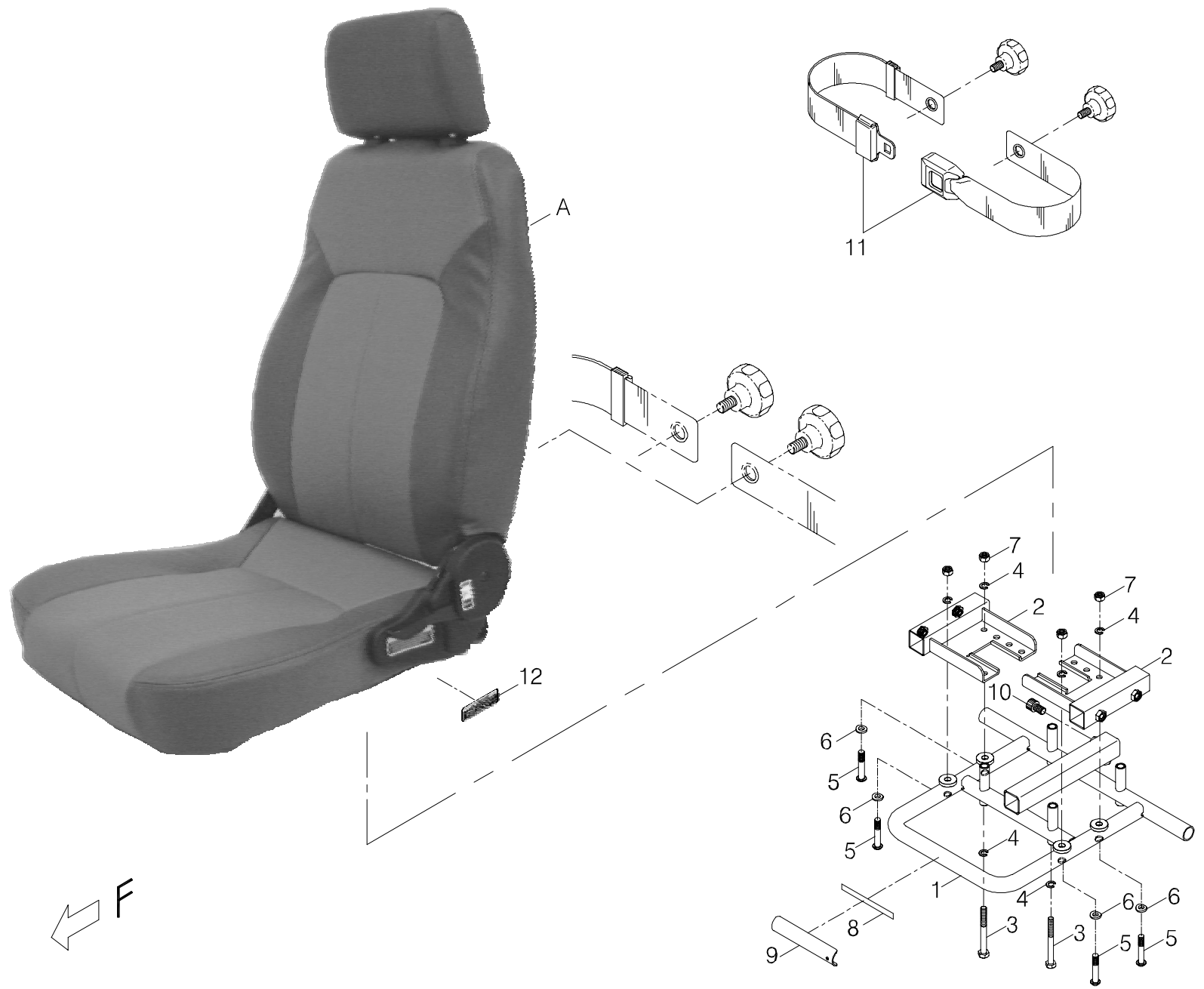


INDEX.6

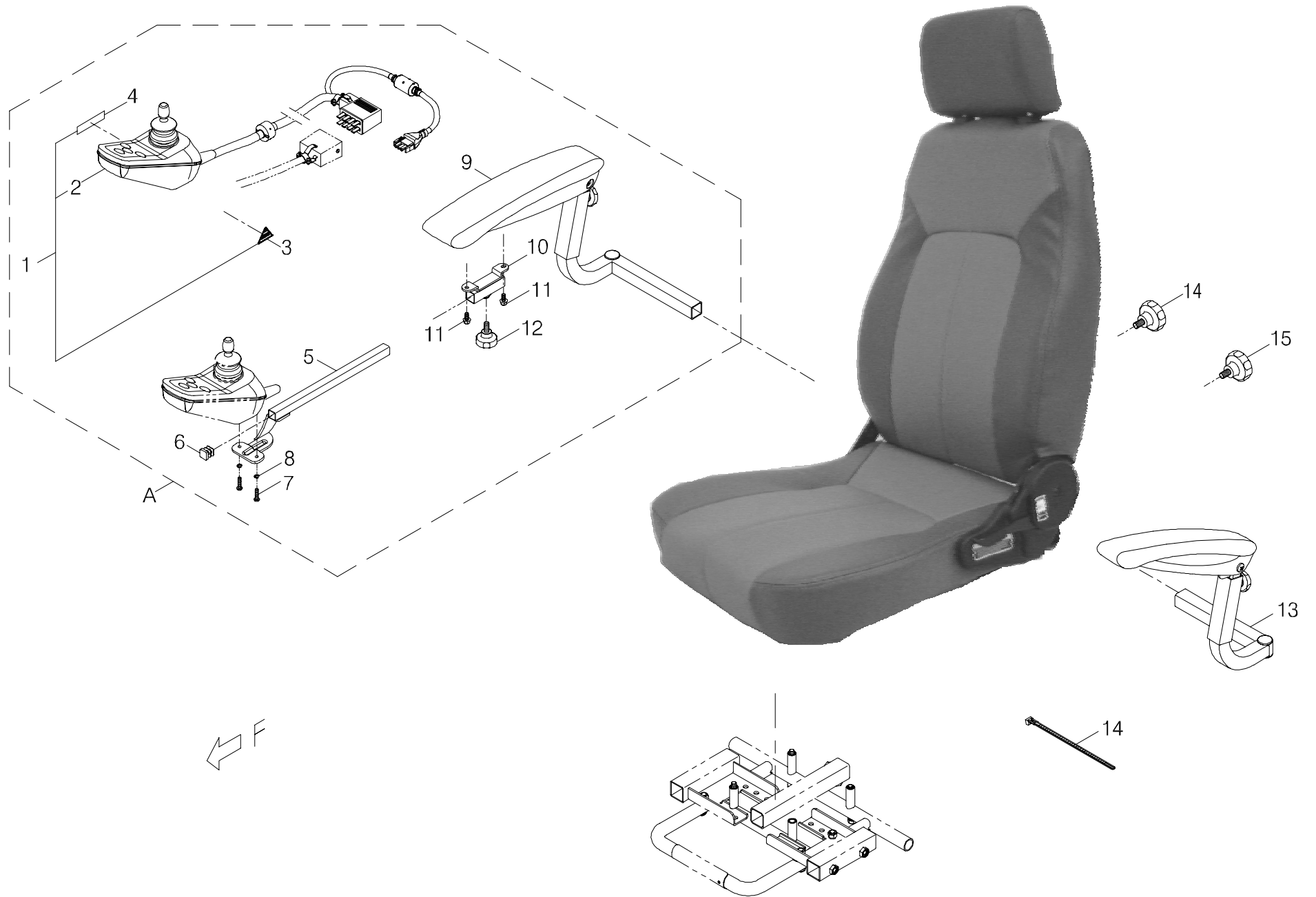


INDEX.7

Index NO.	Part NO.	Qty.	Description	Specification	Remark
7	105203-88119-50	2	Rear Wheel Assembly, w/o Mark	P424M, Pneumatic Gray Tire, Black Rim	後輪總成(無MARK)PHM/灰胎/P424M 黑色鋁圈/充氣(IA2889U)
7-1	205201-88112-A2	1	Gray Tire	260*85, 3.00-4, 10X3, IA2889U	灰胎/ 260*85 3.00-4 10X3 IA2889U
7-2	205102-88102	1	Inner Tube	3.00/4.10/3.50-4,TR-87	內胎(含風嘴蓋)/3.00/4.10/3.50-4 TR-87(IA)
7-3	205106-88100-50-1	1	Aluminum Rim Wheel	4", Black, w/o Mark	外鋁輪圈(無MARK)/ 4"黑(非保稅)
7-4	205104-88100	1	Rim	300-4,Black	內鐵輪圈/300-4 4孔 黑
7-5	205203-66400-A2	1	Hub	X-3-XL, 20, Black, A2	驅動軸套/X-3-XL (20) 黑(A2)
7-6	5001-08025-210	4	Hex head screw	M8*P1.25*25L,Multicolored Galvanized	外六角螺絲/M8*P1.25*25L (五彩)
7-7	5012-08013-200	4	Nyloc Nut	M8*P1.25*13 7.8t,Multicolored Galvanized	尼龍螺帽/M8*P1.25*13邊7.8t(五彩)

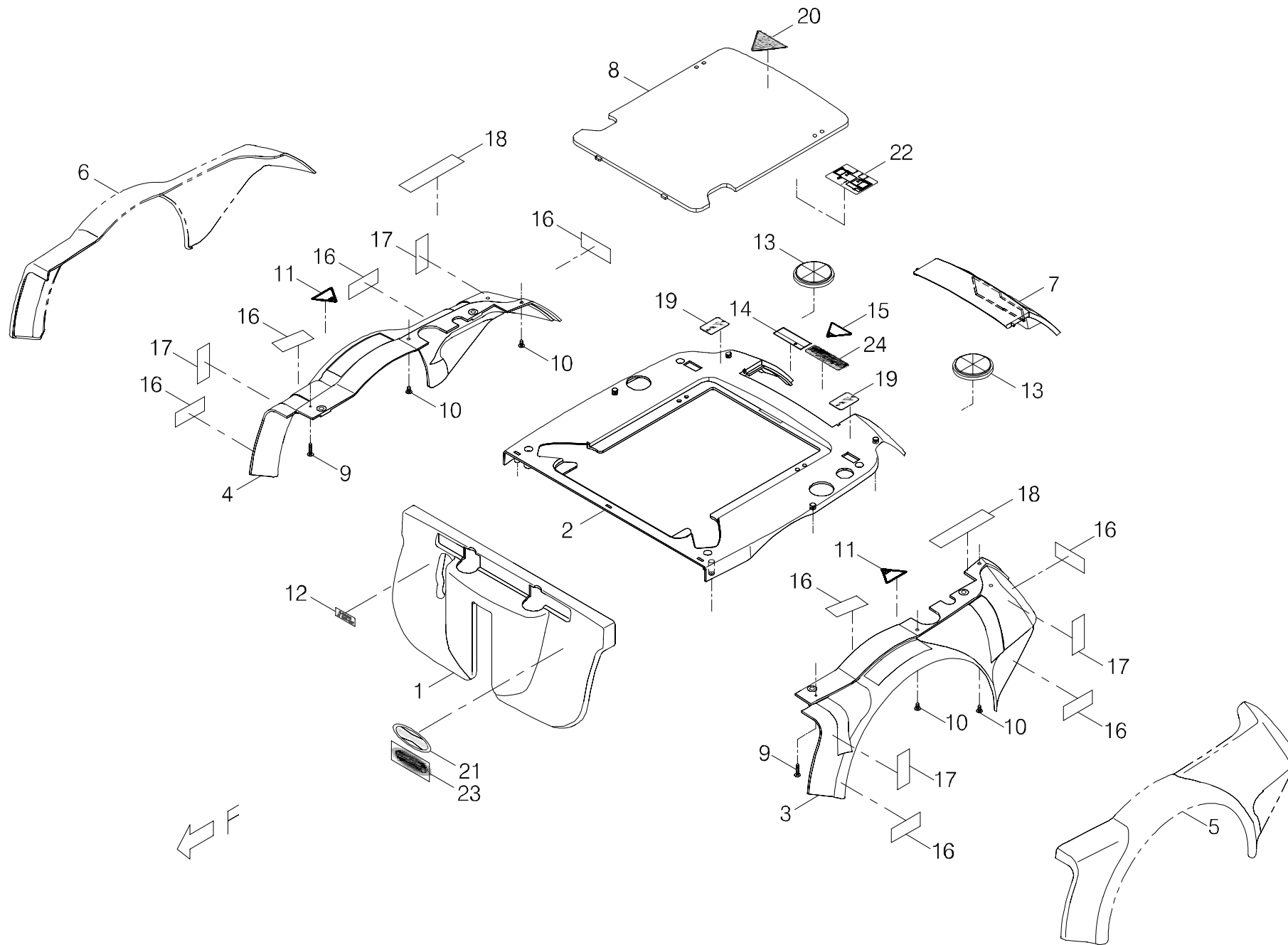


Index NO.	Part NO.	Qty.	Description	Specification	Remark
8	-----	1	Seat assembly		座椅總成
8-A	104021-00108	1	Black Vinyl Captain Seat,High Backrest	18.5"x17.5",w/Reclining 112,Headrest	高背皮椅6段112度後傾DL頭枕/黑色(包覆)(18.5*17.5)(薄座)
-----	301174-07-A2	REF(1)	Warning Sticker	N74-7-A2	警告貼紙/N74-7-A2
8-1	204501-00100	1	Seat frame	HOTSPOT-M	椅架/G424M
8-2	202936-00100	2	Legrest Hanger Adapter	HOTSPOT-M/F	腳架固定座/G424M/L
8-3	5001-08075-720	4	Hex Head Bolt	M8*P1.25*75L,Black Galvanized	外六角鋼栓/M8*P1.25*75L半牙(鍍黑鋅)12.9級
8-4	5022-08013-710	8	SPRING WASHER	8*13,Black Galvanized	彈簧墊圈/ 8*13 (鍍黑鋅)
8-5	5003-08045-720	4	ALLEN BUTTON HEAD SCREW	M8*P1.25*45L,15L,Black Galvanized	半圓頭內六角鋼栓G424M/L/M8*P1.25*45L牙長15L (鍍黑鋅)
8-6	4001428-03	4	Flat Washer	A428, 8.2*15.5*3t,Black Galvanized	平墊圈/A428-3(8.2*15.5*3t)電著黑
8-7	5012-08013-700	4	Nyloc Nut	M8*P1.25*13,7.8t,Black Galvanized	尼龍螺帽/M8*P1.25*13邊7.8t(鍍黑鋅)
8-8	203108-80500	1	Acrylic foam tape	10mm*33ML #4211	3M雙面膠/10mm*33ML #4211
8-9	4001598-00	1	Bracket for seat frame	A598	椅架固定片/A598(G424M/L)
8-10	5002-10016-720	1	CAP HEAD ALLEN SCREW	M10*P1.25*16L,Black Galvanized	圓頭內六角鋼栓(耐落)12.9級/M10*P1.25*16L (鍍黑鋅)
8-11	300909-03-B1	1	Seat belt(66")	#5(66"),Positioning strap	安全帶/#5(66")
8-12	301174-31	1	Caution Sticker	N74-31	警告貼紙/N74-31

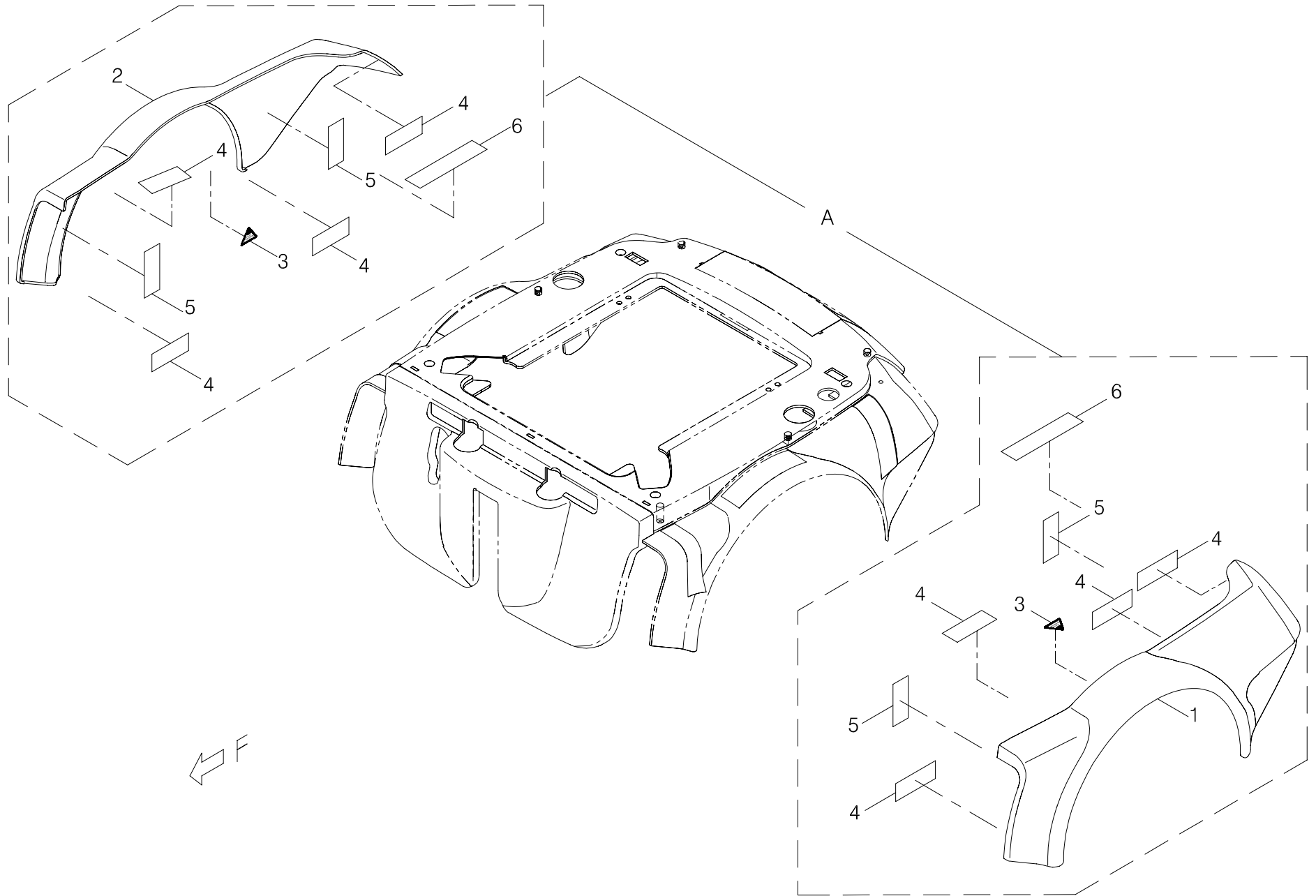


INDEX.9

Index NO.	Part NO.	Qty.	Description	Specification	Remark
9	-----		Seat armrest assembly		座椅扶手總成
9-A	1361-00408-00-B1	1	Generic controller assembly	VSI 50/70 D50498	搖桿控制器+扶手總成/VSI 50/70 D50498(G424M/L)B1
9-1	1361-00208-00-A2	1	Generic controller assembly	VSI 50/70 D50498	搖桿控制器總成/VSI 50/70 D50498(A4)
9-2	1361-00108-00-A4	1	Joystick Controller	VSI 50/70, D50498	搖桿控制器/VSI 50/70 D50498(A4)
9-3	301123-21-A2	1	Warning Sticker	N23-21-A2	三角型警告貼紙/N23-21-A2(小)
9-4	-----	REF(1)	Decal		條碼貼紙
9-5	1343-00700-00-A2	1	Mounting Bracket for Joystick Controller	G424M/L, 265mm, A2, Black Galvanized	扶手控制架/G424M/L,(265mm)(電著黑)(A2)
9-6	209931-00102	1	Square Plug	15mm	方形管塞/ 15mm
9-7	5005-05015-710	2	Screw	M5*P0.8*15L,Black Galvanized	十字扁圓頭螺栓/M5*P0.8*15L(鍍黑鋅)
9-8	5022-05008-310	2	Spring Washer	5*8, Black Galvanized	彈簧墊圈/ 5*8(染黑)
9-9	104400-00100-B1-3	1	Flipback Height Adjustable Armrest	14", Right, Standard, 79mm, B1-3	扶手總成(右)經濟,彎弧直角耐燃/四段可調高低14",79mm寬,B1-3
9-10	1343-00701-00-A2C	1	Receiver of Joystick Mount	P424M/L,888WA	扶手支撐架/P424M/L,888WA
9-11	5007-06012-710	2	Hex head Philips Screw w/ Washer	M6*P1.0*12L,Black Galvanized	外六角帶墊圈螺栓(十字)/M6*P1.0*12L(鍍黑鋅)
9-12	5008-08020-210-A2	1	Tighten Knob	M8*P1.25*17L,Multicolored Galvanized,A2	星型螺栓/L07/M8*P1.25*17L全牙,五彩(A2)
			-----*-----		
9-13	104300-00100-B1-3	1	Flipback Height Adjustable Armrest	14", Left, Standard, 79mm, B1-3	扶手總成(左)經濟,彎弧直角耐燃/四段可調高低14",79mm寬,B1-3
9-14	505202-02000-50	2	Releasable Zip Tie	HV-200	活束帶/HV-200
9-15	5008-10020-212-A2	2	Tighten Knob	M10*17L,Multicolored Galvanized,A2	星型螺栓/M10*17L全牙,五彩(A2)

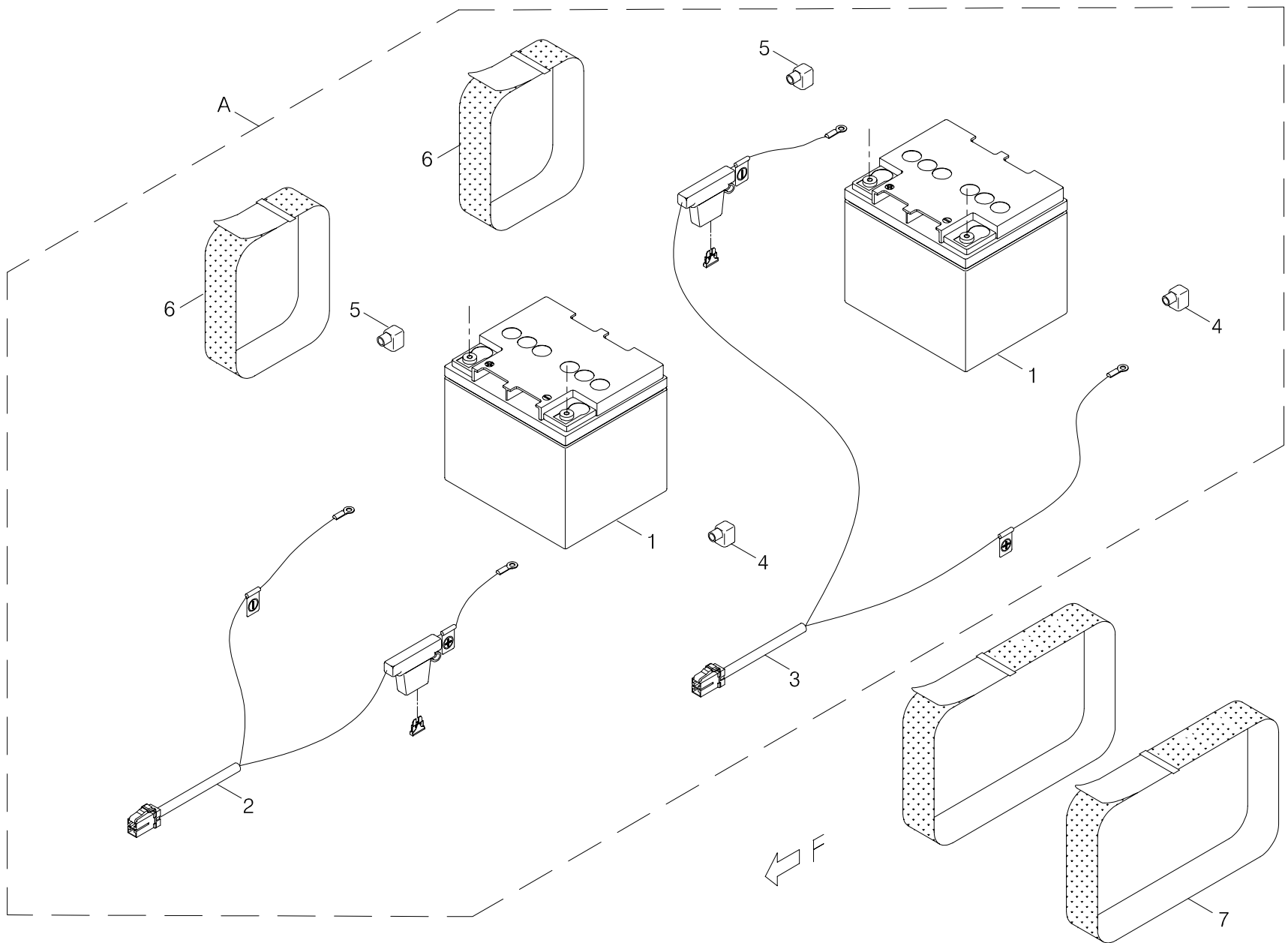


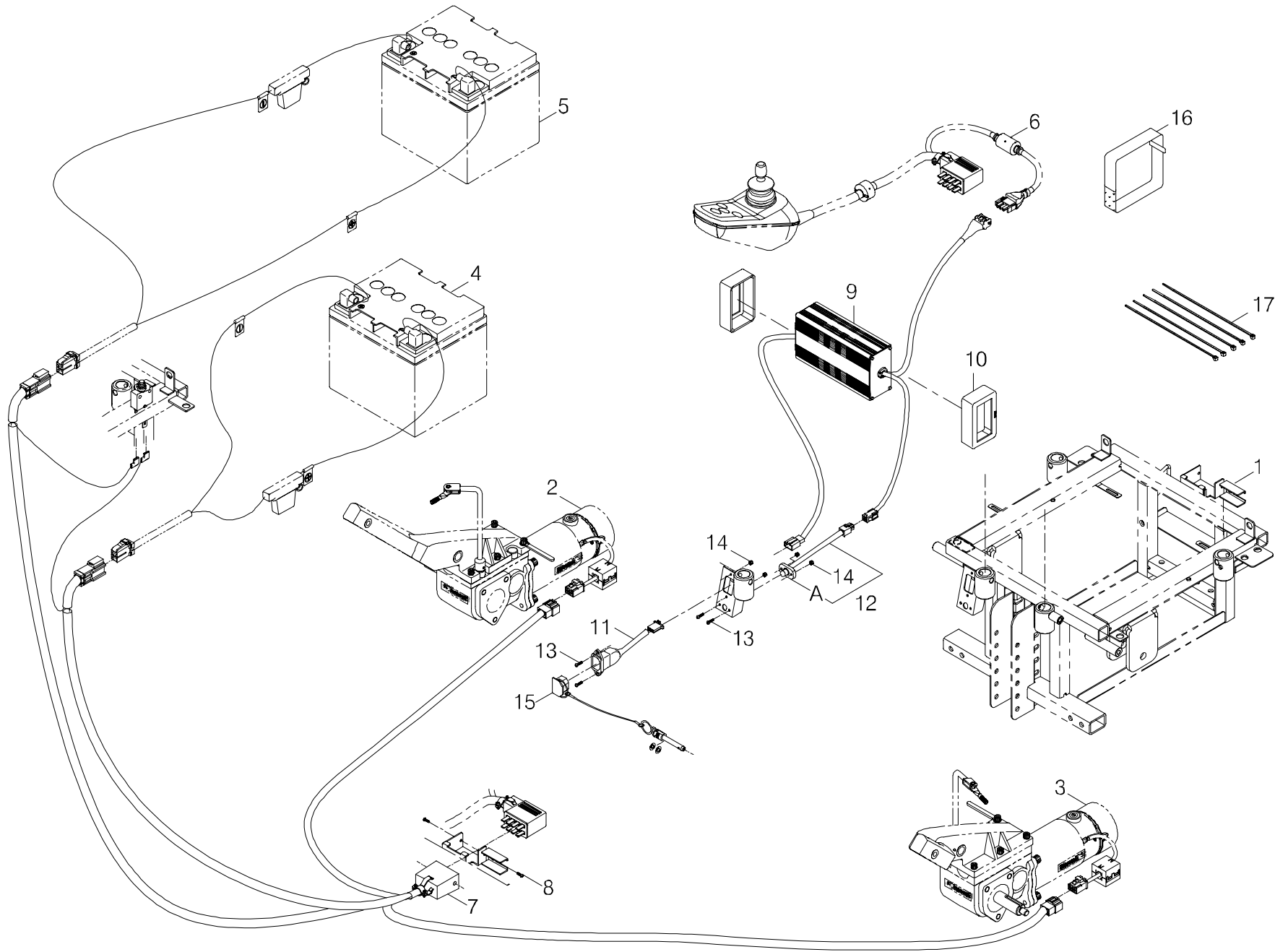
Index NO.	Part NO.	Qty.	Description	Specification	Remark
10	-----		Chassis cover assembly		蓋板總成
10-1	203109-00100-A4	1	Front Cover	G424M, Black, A4	前飾蓋/G424M(黑)射出(無孔)A4
10-2	2331-00112-0050-A3	1	Chassis cover	HOTSPOT-M,Black,w/ partial non-texture	蓋板/G424M(黑)射出(A3)
10-3	203110-00100-50	1	Fairing	Left,Injection	內襯板/G424M左(射出)
10-4	203110-00101-50	1	Fairing	Right,Injection	內襯板/G424M右(射出)
10-5	-----	REF(1)	Fairing,Painting Outside	HOTSPOT-M,Left,Burgundy	輪側蓋(左)
10-6	-----	REF(1)	Fairing,Painting Outside	HOTSPOT-M,Right,Burgundy	輪側蓋(右)
10-7	203511-00203-A2	1	Charger Lid	HOTSPOT-M	後活動蓋/G424M(A2)
10-8	203508-00100-A2	1	Battery cover	Black,Injection	電池護蓋/G424M(黑)射出
10-9	5006-04020-710	2	Self tapping screw	M4*20L,Black Galvanized	自攻螺絲/M4*20L(鍍黑鋅)
10-10	5006-04010-710	4	Self tapping screw	M4*10L,Black Galvanized	自攻螺絲(十字扁圓頭)/M4*10L(鍍黑鋅)
10-11	301123-10	2	Warning Sticker	N23-10,Front Panel	三角型警告貼紙/N23-10
10-12	301130-03	1	Instruction Sticker	N30-3,CHARGE,AC 100V-120V	指示貼紙/N30-3 (CHARGE)AC 100V-120V透白
10-13	203204-78700	2	Reflector	PE-35B,Round,Red	反光片(紅)/PE-35B 圓型 (A用)
10-14	301174-45-A2	1	Warning Sticker	N74-45, A2	警告貼紙/N74-45(A2)
10-15	301123-41	1	Warning Sticker	N23-41	三角型警告貼紙/N23-41
10-16	203103-66500	8	Velcro	25W*25M,Hook	自黏扣帶(勾面)/25W*25M(整捲裁60L,勾面)
10-17	203103-66500	4	Velcro	25W*25M,Hook	自黏扣帶(勾面)/25W*25M(整捲裁95L,勾面)
10-18	203103-66500	2	Velcro	25W*25M,Hook	自黏扣帶(勾面)/25W*25M(整捲裁110L,勾面)
10-19	301187-15	2	ON-BRAKE-OFF Label	N87-15, White Sign	ON-BRAKE-OFF貼紙/N87-15 (透白)(輪椅車用)
10-20	301123-35	1	Warning Sticker	N23-35	三角型警告貼紙/N23-35,(配合服務記錄卡)
10-21	301217-05-A2	1	Trademark Decal, SHOPRIDER	T17-5-A2, 78.5*32	商標貼紙/T17-5-A2 (SHOPRIDER) 78.5*32
10-22	301153-20	1	Battery Wiring Diagram Sticker	N53-20, 50A Circuit Breaker	指示貼紙(線路圖)/N53-20 (50A安全開關)
10-23	301213-45	1	Model Decal, Navigator-M	T13-45, CA08-P424M	車型貼紙(Navigator-M)/T13-45, CA08-P424M



Index NO.	Part NO.	Qty.	Description	Specification	Remark
11-A	1335-00200-22	1	SHROUD CANDY RED MINI	HOTSPOT-M,INJECTION	輪側蓋總成(含左右及貼紙)/G424M(棗紅)射出
11-1	1335-00100-22-A4	1	Fairing,Painting Outside	HOTSPOT-M,Left,Burgundy	輪側蓋(左)/G424M(棗紅)射出素紅(A4)
11-2	1335-00101-22-A4	1	Fairing,Painting Outside	HOTSPOT-M,Right,Burgundy	輪側蓋(右)/G424M(棗紅)射出素紅(A4)
11-3	301123-11	2	Patent Warning Sticker	N23-11	三角型警告專利貼紙/N23-11/UL7
11-4	203103-80100	8	Velcro	25W*25M,Loop	自黏扣帶(毛面)(整捲裁60L,毛面)
11-5	203103-80100	4	Velcro	25W*25M,Loop	自黏扣帶(毛面)(整捲裁95L,毛面)
11-6	203103-80100	2	Velcro	25W*25M,Loop	自黏扣帶(毛面)(整捲裁110L,毛面)
			-----*-----		
11-A	1335-00200-42	1	SHROUD BLUE MINI	HOTSPOT-M,INJECTION	輪側蓋總成(含左右及貼紙)/G424M(深藍)射出
11-1	1335-00100-42-A4	1	Fairing,Painting Outside	HOTSPOT-M,Left,Blue	輪側蓋(左)/G424M(深藍)射出素深藍(A4)
11-2	1335-00101-42-A4	1	Fairing,Painting Outside	HOTSPOT-M,Right,Blue	輪側蓋(右)/G424M(深藍)射出素深藍(A4)
11-3	301123-11	2	Patent Warning Sticker	N23-11	三角型警告專利貼紙/N23-11/UL7
11-4	203103-80100	8	Velcro	25W*25M,Loop	自黏扣帶(毛面)(整捲裁60L,毛面)
11-5	203103-80100	4	Velcro	25W*25M,Loop	自黏扣帶(毛面)(整捲裁95L,毛面)
11-6	203103-80100	2	Velcro	25W*25M,Loop	自黏扣帶(毛面)(整捲裁110L,毛面)

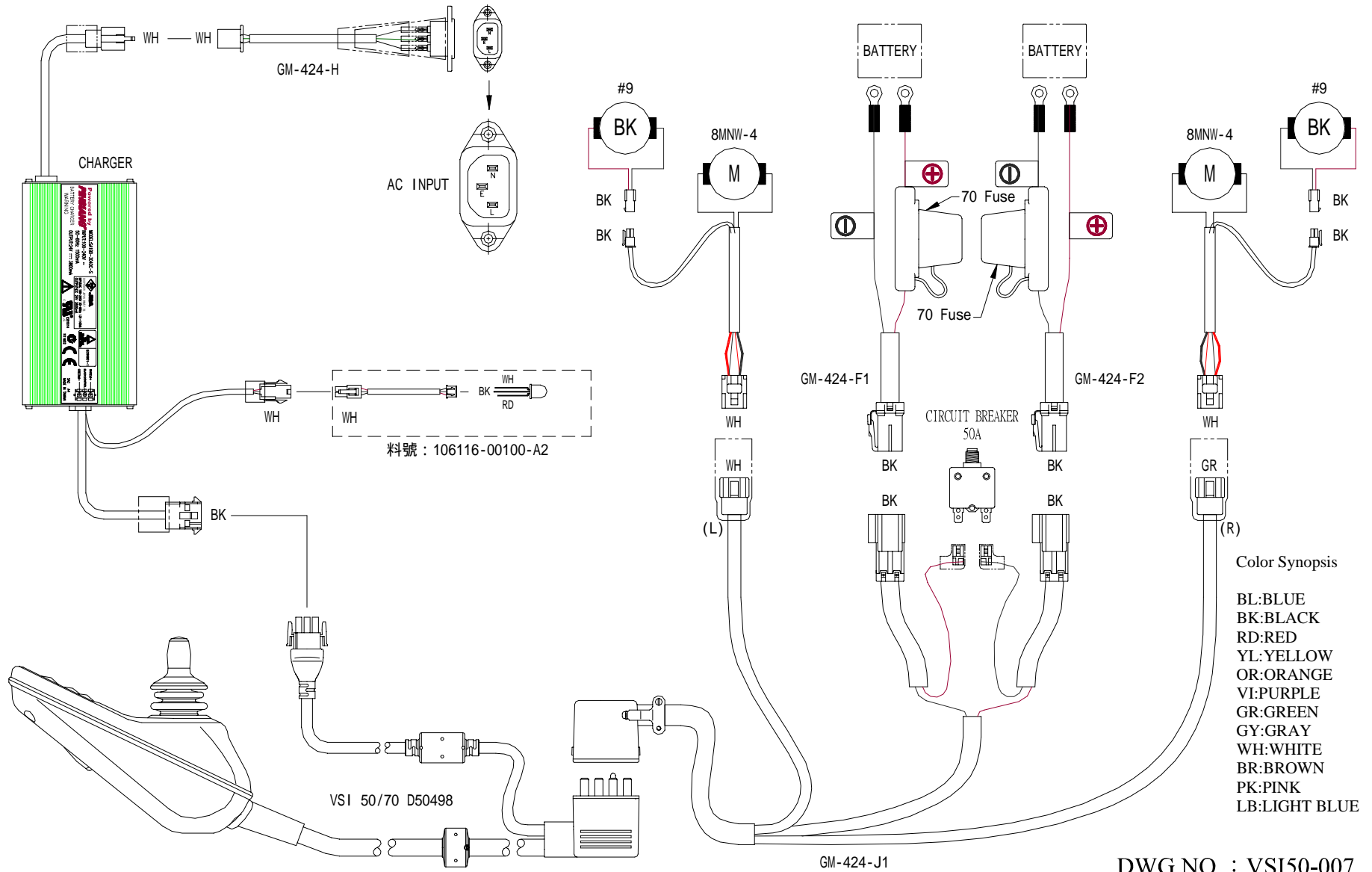
Index NO.	Part NO.	Qty.	Description	Specification	Remark
11-A	1335-00200-50	1	SHROUD CANDY RED MINI	HOTSPOT-M,INJECTION	輪側蓋總成(含左右及貼紙/G424M(黑)射出
11-1	1335-00100-50-A4	1	Fairing,Painting Outside	HOTSPOT-M,Left,Black	輪側蓋(左)/G424M(黑)射出素黑(A4)
11-2	1335-00101-50-A4	1	Fairing,Painting Outside	HOTSPOT-M,Right,Black	輪側蓋(右)/G424M(黑)射出素黑(A4)
11-3	301123-11	2	Patent Warning Sticker	N23-11	三角型警告專利貼紙/N23-11/UL7
11-4	203103-80100	8	Velcro	25W*25M,Loop	自黏扣帶(毛面)(整捲裁60L,毛面)
11-5	203103-80100	4	Velcro	25W*25M,Loop	自黏扣帶(毛面)(整捲裁95L,毛面)
11-6	203103-80100	2	Velcro	25W*25M,Loop	自黏扣帶(毛面)(整捲裁110L,毛面)
			-----*-----		
11-A	1335-00200-65	1	SHROUD CANDY RED MINI	HOTSPOT-M,INJECTION	輪側蓋總成(含左右及貼紙)/G424M(香檳)射出
11-1	1335-00100-65-A4	1	Fairing,Painting Outside	HOTSPOT-M,Left,Champagne	輪側蓋(左)/G424M(香檳)射出素香檳(A4)
11-2	1335-00101-65-A4	1	Fairing,Painting Outside	HOTSPOT-M,Right,Champagne	輪側蓋(右)/G424M(香檳)射出素香檳(A4)
11-3	301123-11	2	Patent Warning Sticker	N23-11	三角型警告專利貼紙/N23-11/UL7
11-4	203103-80100	8	Velcro	25W*25M,Loop	自黏扣帶(毛面)(整捲裁60L,毛面)
11-5	203103-80100	4	Velcro	25W*25M,Loop	自黏扣帶(毛面)(整捲裁95L,毛面)
11-6	203103-80100	2	Velcro	25W*25M,Loop	自黏扣帶(毛面)(整捲裁110L,毛面)





Index NO.	Part NO.	Qty.	Description	Specification	Remark
13	-----		Control and battery wiring illustration		控制及電瓶導線總成
13-1	-----	REF(1)	Chassis		車架
			-----*-----		
13-2	-----	REF(1)	Motor/Gearbox/Brake Right Full		馬達剎車減速箱總成
13-3	-----	REF(1)	Motor/Gearbox/Brake Left Full		馬達剎車減速箱總成
			-----*-----		
13-4	-----	REF(1)	Battery assembly w/ hand carry		電瓶總成(前)
13-5	-----	REF(1)	Battery assembly w/ hand carry		電瓶總成(後)
			-----*-----		
13-6	-----	REF(1)	Generic controller assembly		搖桿控制器總成
			-----*-----		
13-7	2370-01100-00	1	Main control cable	GM-424-J1	主控制線/GM-424-J1
13-8	5005-03010-110	2	Screw	1APHMC-062400 6# 3/8	十字圓頭螺絲/1APHMC-062400 6#*3/8(鍍鎳)
13-9	109201-88113-A7	1	On-board Charger Assembly	4A, #7-1, A7, Cable Length 150L	隨車式充電機總成 (HM01)黑色/#7-1(4A)PIHSIANG(線長150L)(A7)
13-10	209915-00102	2	Grommet	HOTSPOT-M/F	充電機橡膠墊/G424M/L 4A隨車式充電機專用
13-11	2370-00900-00	1	Charging cable	GM-424-H	充電線(短)/GM-424-H
13-12	106116-00100-A2	1	Indicator lamp	#7-1	指示燈加工組/ #7-1 G424M/L (委外)
13-A	4001455-02-A2	REF(1)	Bracket	A455-2(A2)	指示燈固定片 (ABS咬花)/A455-2 (G424M/L)A2
13-13	5005-03012-710	4	Screw	M3*P0.5*12L,Black Galvanized	十字圓頭螺絲/M3*P0.5*12L (鍍黑鋅)
13-14	5012-03006-200	4	Nyloc Nut	M3*P0.5*6,Multicolored Galvanized	尼龍螺帽/M3*P0.5*6邊 (五彩)
13-15	202922-00105-A2	1	Connecting pin	8*40L w/i AC Charger Plug Cap	連接銷(含充電機插座蓋總成)/ 8*40L(含伸縮帶)
13-16	209920-77401	1	Fastening strap	25mmW*15A+33.5B cm	固定帶(尼龍織帶)/25mmW*15A+33.5B cm
13-17	505201-02500-50	5	Cable Tie	CV-250B	束帶/CV-250B
-----	209201-88104	1	Power cord	North America,Asia,4ft	充電機電源線/美洲、亞洲 ,4ft

Wiring Diagram for P424M



DWG NO. : VS150-007
 EDITION : A4