

GMP  
ISO9001  
ISO14001  
ISO13485  
CERTIFIED

**PIHSIANG**®

**SHOPRIDER**®

MODEL: **UL8W12**

*ELECTRIC POWER CHAIR*

*(PATENTED)*



**PIHSIANG MACHINERY MFG. CO., LTD.**

*NO.108, HSIN-HE ROAD, HSIN-FENG HSIANG 304  
HSINCHU COUNTY, TAIWAN*

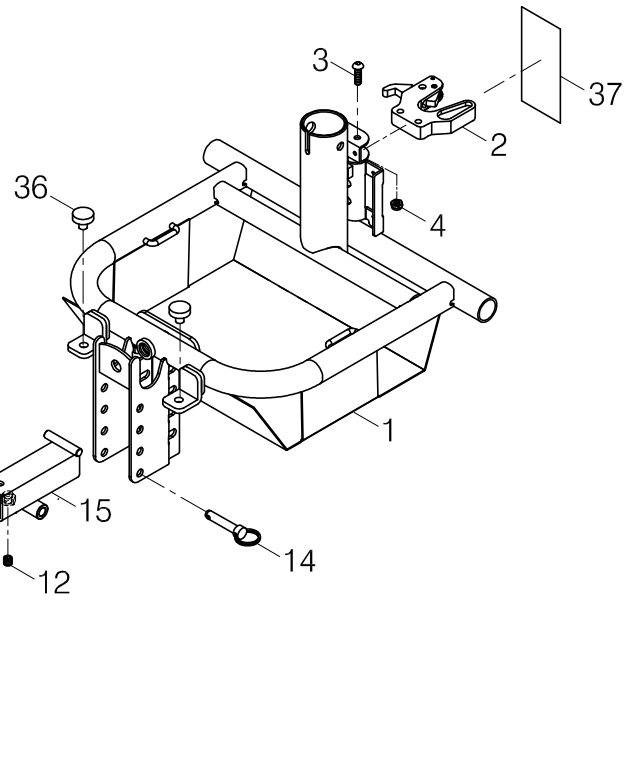
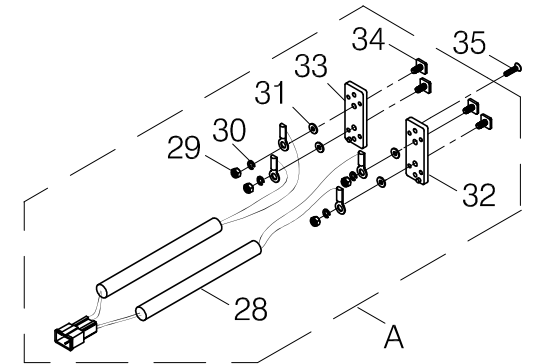
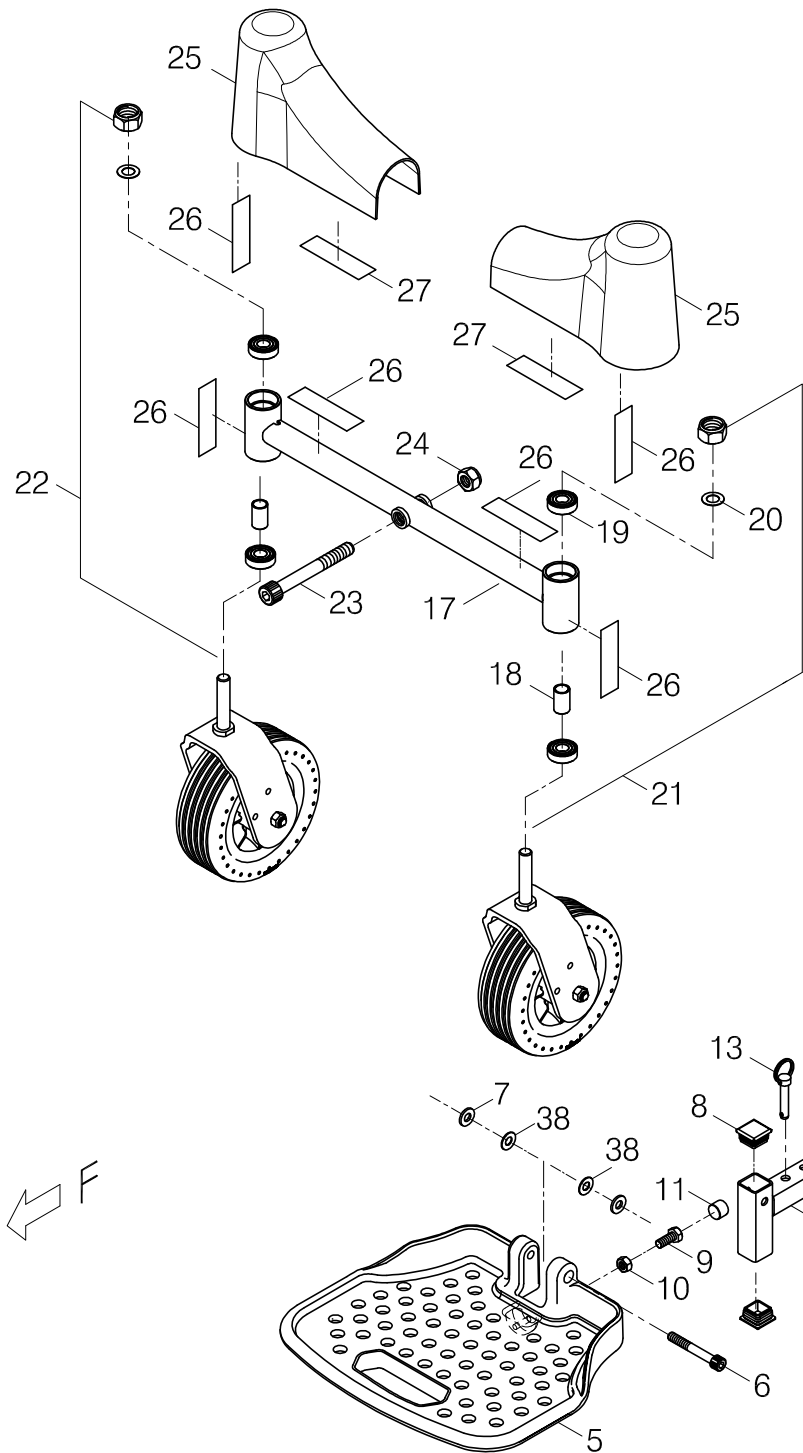
MODEL :

ITEM	PART NO.	DESCRIPTION	SPECIFICATION	REMARK
1	CA08-0UL8W12-22	Invalid Power Chair, w/ Captain Seat	UL8W12, Burgundy Red, 12Ah SLA Batteries	

Item	Revision from	Contents of Revision	Page Revised	Remark

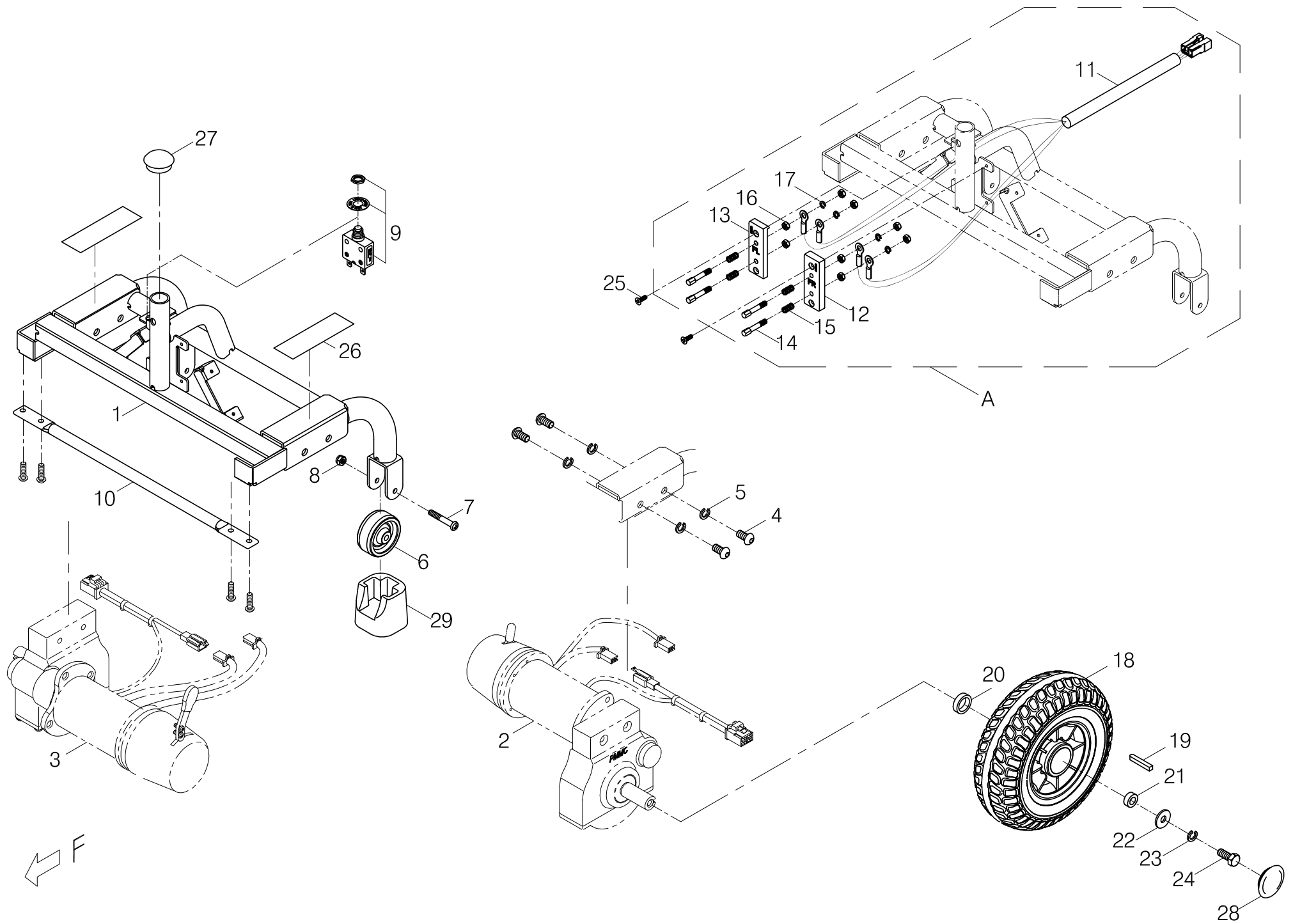
TABLE OF CONTENTS  
ILLUSTRATION

INDEX 1	FRONT ASSEMBLY ILLUSTRATION -----	1-1~2
INDEX 2	REAR ASSEMBLY ILLUSTRATION -----	2-1~2
INDEX 3	DRIVE-TRAIN ASSEMBLY-----	3-1
INDEX 4	DRIVE-TRAIN ASSEMBLY-----	4-1
INDEX 5	MOTOR ASSEMBLY-----	5-1
INDEX 6	SEAT ASSEMBLY -----	6-1
INDEX 7	SEAT , ARM ASSEMBLY-----	7-1~2
INDEX 8	CHASSIS COVER ASSEMBLY-----	8-1
INDEX 9	BATTERY CABLES -----	9-1
INDEX 10	CONTROL AND BATTERY WIRING ILLUSTRATION ---	10-1
	APPENDIX (1) -----	
	APPENDIX (2) -----	



Index NO.	Part NO.	Qty.	Description	Specification	Remark
1	-----		Front chassis assembly		
1-1	1321-00119-02-A4	1	Front Chassis, UL8W12	for 12Ah SLA Battery, A4	
			----- * -----		
1-2	202913-00102	1	Seat Latch	888WNLSPGKUL7-4, Yellow Lever	
1-3	5003-06025-720	2	Button Head Allen Bolt	M6*P1.0*25L, Black Galvanized	
1-4	5012-06010-701	2	Nyloc Nut	M6*P1.0*10*6t, Black Galvanized	
			----- * -----		
1-5	2329-00100-11-A2	1	Footrest	Black, UL7-WR, A2	
1-6	5002-08060-720	1	CAP HEAD ALLEN SCREW	M8*P1.25*60L, Black Galvanized	
1-7	4001406-05	2	Flat Washer	A406-5, $\phi$ 8.5*18*2t	
1-8	202303-88104	2	End Cap	Short, 25*25	
1-9	5001-08025-710	1	Hex head screw	M8*P1.25*25L, Black Galvanized	
1-10	5011-08013-700	1	Hex Nut	M8*P1.25*13, Black Galvanized	
1-11	209929-77401	1	Rubber Cover	Black, $\phi$ 12*12L	
1-12	5004-08008-311	1	Set Screw	M8*1.25*8L	
1-13	202922-88100	1	Pin	$\phi$ 7.8*40L, PP08040B	
1-14	202922-00201	1	Connecting pin	$\phi$ 8.0*60L	
1-15	1329-00400-19	1	Sleeve for Footplate Assembly	UL8W	
1-16	1329-00400-18	1	Adjustable Tubing for Footplate	UL8W	
			----- * -----		
1-17	1318-00109-01	1	Front Crossbeam	UL8WPB(w/ 12Ah Lead Acid Battery)	
1-18	2399-00208-00	2	Spacer	$\phi$ 12.5* $\phi$ 18.6*24.2L	
1-19	505101-60013-01	4	Ball bearing	#6001 2RS, NBN	
1-20	5021-12021-210	2	Flat Washer	$\phi$ 12*21*0.5t, Multicolored Galvanized	

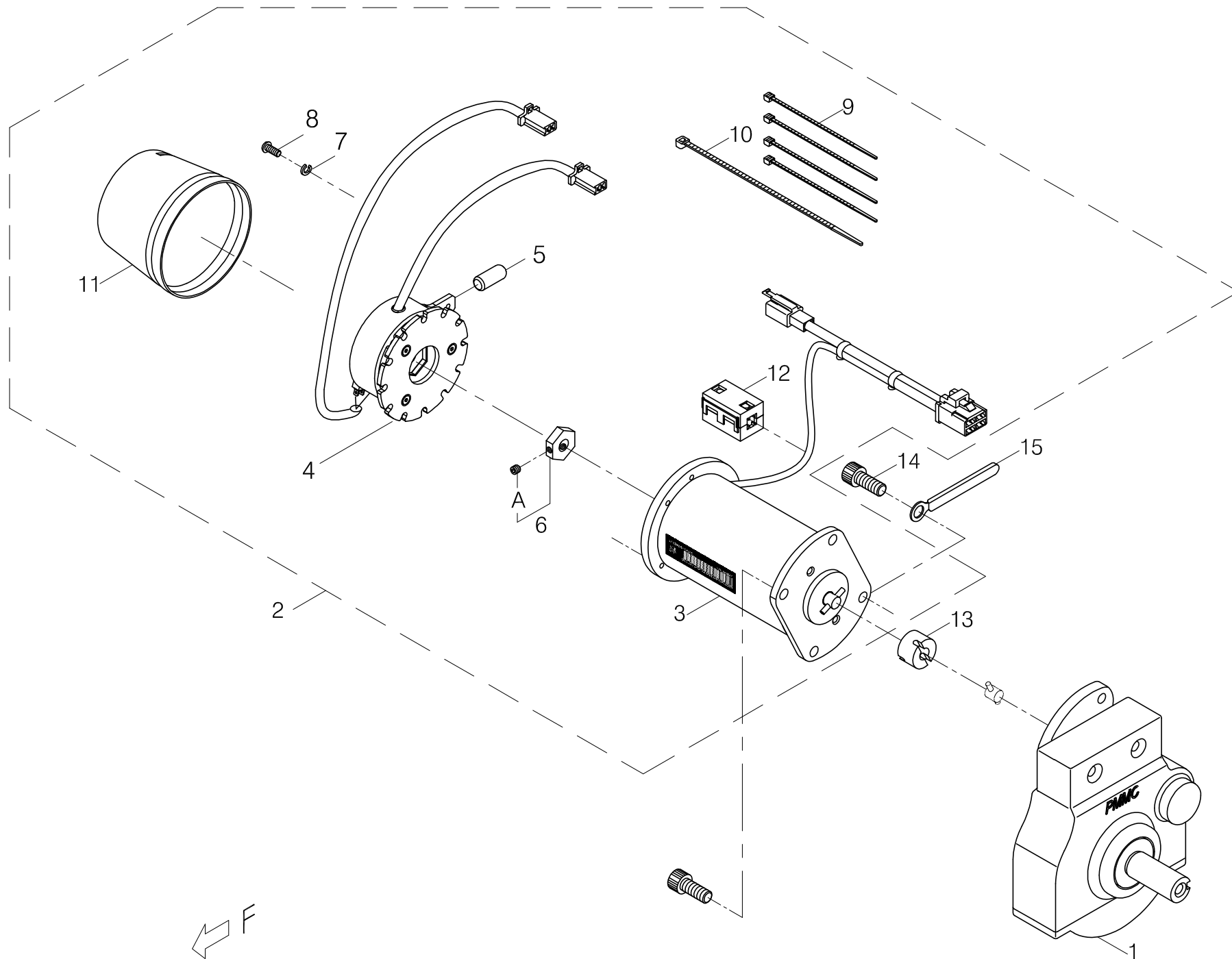
Index NO.	Part NO.	Qty.	Description	Specification	Remark
1-21	1351-00900-00-A2	1	Front Caster Wheel	149*50, Left, UL8W, Black Rim, A2	
1-22	1351-00900-01-A2	1	Front Caster Wheel	149*50, Right, UL8W, Black Rim, A2	
1-23	5002-12085-720	1	Allen Screw	M12*P1.75*85L,Black Galvanized	
1-24	5012-12019-700	1	Nylon lock nut	M12*P1.75*19, Black Galvanized	
1-25	2335-00102-00	2	Crossbeam Cover	UL8-W	
1-26	203103-66500	REF	Velcro	25W*25M,Hook	
1-27	203103-80100	REF	Velcro	25W*25M,Loop	
			----- * -----		
1-A	103511-00200	1	Motor/Brake Loom Assembly	UL8W	
1-28	2370-00701-00-A2	1	Power Cable	Front, UL8-W-D(A2)	
1-29	5011-05008-200	4	Hex Nut	M5*P0.8*8,Multicolored Galvanized	
1-30	5022-05008-210	4	Spring washer	φ 5*8,Multicolored Galvanized	
1-31	5021-05010-210	4	Flat Washer	φ5.2*φ10*1t,Multicolored Galvanized	
1-32	203511-69502-A2	1	Plate bracket of rear electrode	GK-8,RED,A2	
1-33	203511-69503-A2	1	Plate bracket of rear electrode	GK-8,RED,A2	
1-34	4003290-05-A2	4	Power Connecting Terminal	C290-5-A2, GK-3/4	
			----- * -----		
1-35	5009-04010-710	4	Screw	M4*P0.7*10L,Black Galvanized	
-----	301111-13	2	Indication Sticker	N11-13	
1-36	209915-00101	2	Rubber Bump Stop	UL7-WR	
1-37	9003-009	1	Insulation Tape	145 50W	
1-38	4001406-04	2	Flat Washer	A406-4, φ 8.5*18*1t	



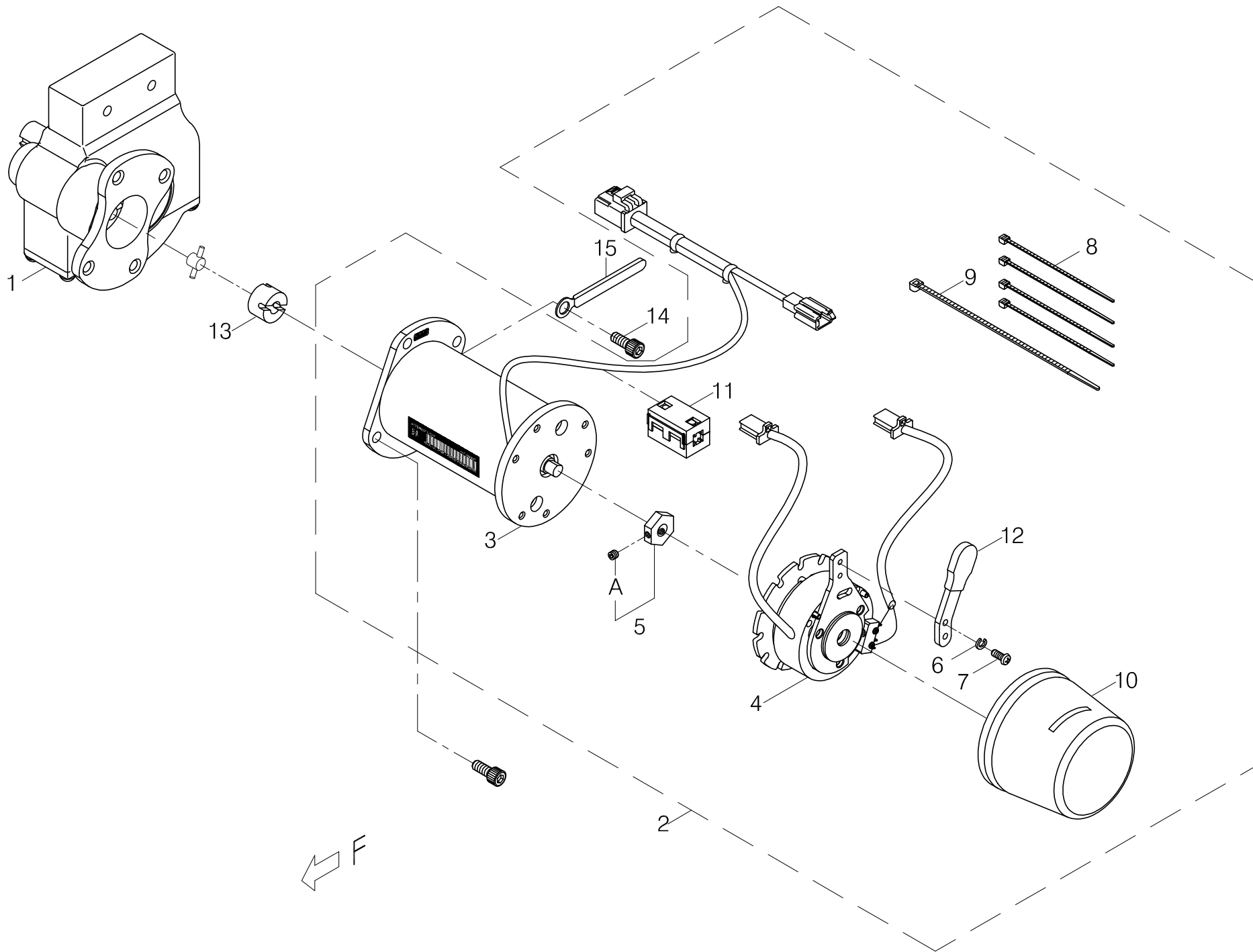


Index NO.	Part NO.	Qty.	Description	Specification	Remark
2-1	1322-00101-02-A3	1	Rear Chassis, for 2.80/2.50 Tire	UL8WPB, A3	
			-----*-----		
2-2	-----	REF(1)	Motot/Gearbox/Brake Left		
2-3	-----	REF(1)	Motot/Gearbox/Brake Right		
			-----*-----		
2-4	5003-08016-720	8	ALLEN BUTTON HEAD SCREW	M8*P1.25*16L,Black Galvanized	
2-5	5022-08013-710	8	Spring Washer	§ 8*13,Black Galvanized	
2-6	209928-89300	2	Anti-tip Wheel	2"	
2-7	5005-06038-710	2	Screw	M6*P1.0*38L,Black Galvanized	
2-8	5012-06010-701	2	Nyloc Nut	M6*P1.0*10*6t,Black Galvanized	
2-9	206207-78700	1	Circuit Breaker	ZE-700S-20A	
2-10	4002166-00-A2	1	Pulling-Rod for Gearbox	B166-A2, UL8-W	
			-----*-----		
2-A	103511-00201	1	Motor Power Pick Up Assembly	UL8W	
2-11	2370-00701-01	1	Power Cable	Rear, UL8-W-E	
2-12	203511-69500-A2	1	Plate bracket of front electrode	GK-3/4/8,RED,A2	
2-13	203511-69501-A2	1	Plate bracket of front electrode	GK-3/4/8,RED,A2	
2-14	4003290-01-A2	4	Electrode Pin	C290-1(A2)	
2-15	202402-77300-A2	4	Spring	0.7wd*5.4id*22L,8 3/4 Circle	
2-16	5011-05008-200	8	Hex Nut	M5*P0.8*8,Multicolored Galvanized	
2-17	5022-05008-210	4	Spring washer	§ 5*8,Multicolored Galvanized	
			-----*-----		
2-18	105201-69400	2	Rear Wheel Assembly, Gray Tire	PU 2.80/2.50,Black Plastic Rim w/AU Hub	
2-19	505301-00505-03	2	Drive Key	5*5*30	

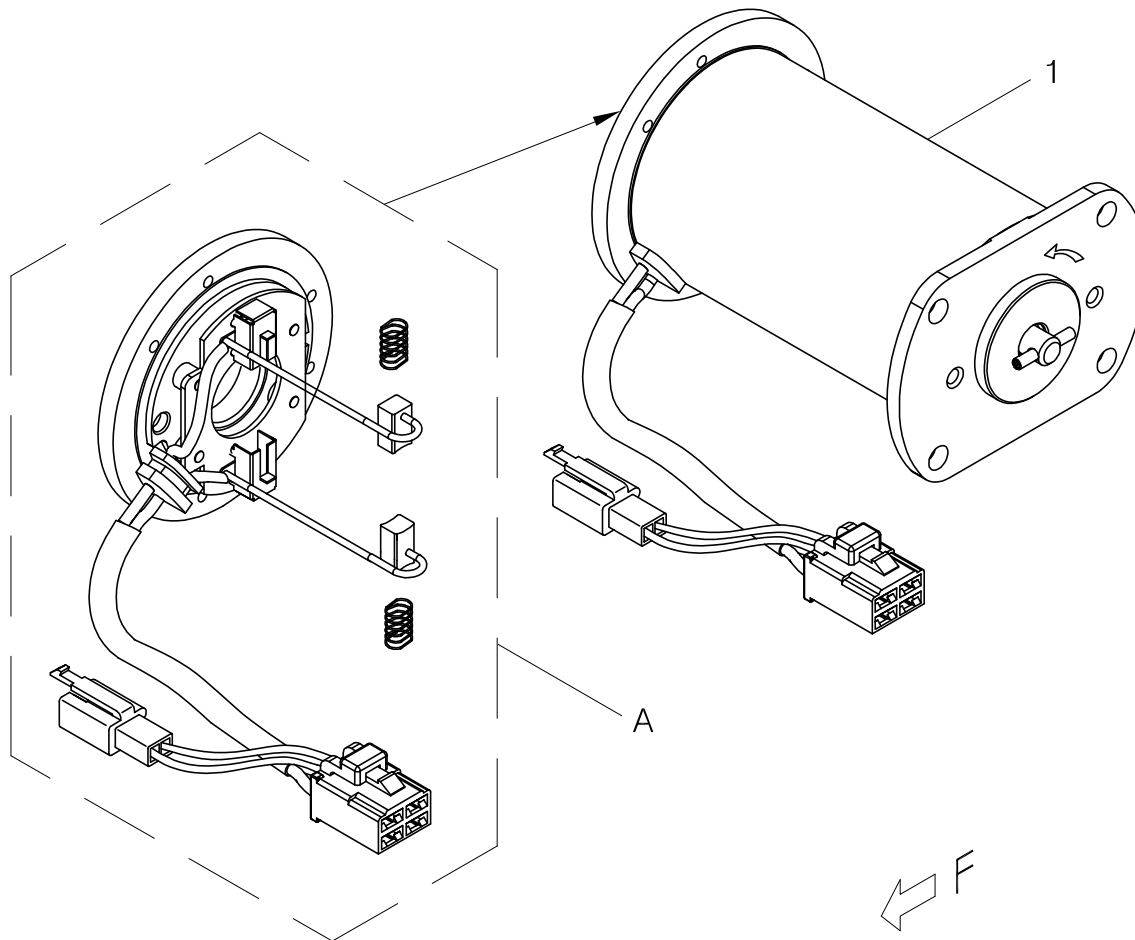
Index NO.	Part NO.	Qty.	Description	Specification	Remark
2-20	4005007-00	2	Spacer	H7, § 17ID* § 23OD*6T	
2-21	4005008-00	2	Spacer	H8, § 9ID* § 16OD*6T	
2-22	4001428-00	2	Flat Washer	A428, § 8.4*26*3t	
2-23	5022-08013-210	2	Spring washer	§ 8*13, Multicolored Galvanized	
2-24	5001-08025-440	2	Hex Head Bolt	M8*P1.25*25L, SUS304	
			-----*-----		
2-25	5009-04010-710	4	Screw	M4*P0.7*10L, Black Galvanized	
-----	301111-13	2	Indication Sticker	N11-13	
2-26	203103-66500	REF	Velcro	25W*25M, Hook	
2-27	209931-77302-A2	1	Rubber Cap	D1201, 7/8", /UL7-3	
2-28	209931-67802	2	End Cap	40*4-4.5	
2-29	202934-68900	2	Holder for Anti-tips	2"	



Index NO.	Part NO.	Qty.	Description	Specification	Remark
3	1300-00700-03-A2	1	Drive-train Assembly, Left	7μM+(#3)+(#10), UL8W	
3-1	1304-00500-05	1	Transaxle Assembly(C)	#10(G424SM/UL8W), Black	
3-2	1301-00108-04-A2	1	Motor and Brake Assembly	Left, 7μM #1-1+(#3)	
3-3	100201-03011	1	Motor	7μM #1-1, 4950rpm	
3-4	100303-80508-A4	1	Electromagnetic brake assembly	#3B,WR229P1,UL7-W-L, Yellow Cap	
-----	100306-00100-A4	1	Electromagnetic Brake	#3, WR198A408P1, A4	
-----	2370-00503-00-A2	1	Connection cable	UL7-W-L(A2),385L	
-----	9004-001	REF	Heat shrink sleeve	F32,3*0.25*200M	
3-5	209929-88104	1	Vinyl cover	Yellow, ϕ 6.8*23L	
3-6	200302-88101-A2	1	Driving Hex Axle for Brake Disc	#2-1, 787N, A2	
3-A	-----	REF(2)	Nylok socket screw		
3-7	5022-04007-210	3	Spring Washer	ϕ 4*7*1.25t, Multicolored Galvanized	
3-8	5005-04010-210	3	Philip Screw	M4*P0.7*10L, Multicolor Galvanized	
3-9	505201-00940-50	4	Cable Tie	CV-094B	
3-10	505201-01500-50-A2	1	Cable Tie	CV-150SB/150L*2.5W*1.2T	
3-11	2399-00201-00	1	Protect Cover for Magnetic Brake	UL7-W/WD	
3-12	206216-88102	1	Magnetic core	LF-65	
			----- * -----		
3-13	200920-78700	1	Connector	ϕ 8*20*13L	
3-14	5002-06016-220	4	CAP HEAD ALLEN SCREW	M6*P1.0*16L,Multicolored Galvanized	
3-15	4001393-03	1	Hook Plate	A393-3( ϕ 6.1*60L)	
-----	301179-04	1	Trademark Sticker	N79-4	
-----	301174-74	1	Warning Sticker	N74-74, for Caution of Hot	



Index NO.	Part NO.	Qty.	Description	Specification	Remark
4	1300-00701-03-A2	1	Drive-train Assembly, Right	7 $\mu$ M+(#3-1)+(#10), UL8W	
4-1	1304-00500-05	1	Transaxle Assembly(C)	#10(G424SM/UL8W), Black	
4-2	1301-00108-05-A2	1	Motor and Brake Assembly	Right, (7 $\mu$ M#2-1)+(#3-1)+(A380-19)	
4-3	100201-03011	1	Motor Assembly	7 $\mu$ M#1-1, Black, A3	
4-4	100303-80507-A3	1	Electromagnetic brake assembly	#3-1D,WR222P1,UL7-W-L,w/o Cap	
-----	100306-00101-A4	1	Electromagnetic Brake	#3-1, WR198A407P1, A4	
-----	2370-00503-00-A2	1	Connection cable	UL7-W-L(A2),385L	
-----	9004-001	REF	Heat shrink sleeve	F32,3*0.25*200M	
4-5	200302-88101-A2	1	Driving Hex Axle for Brake Disc	#2-1, 787N, A2	
4-A	-----	REF(2)	Nylok socket screw		
4-6	5022-04007-210	5	Spring Washer	§ 4*7*1.25t, Multicolored Galvanized	
4-7	5005-04010-210	5	Philip Screw	M4*P0.7*10L, Multicolor Galvanized	
4-8	505201-00940-50	4	Cable Tie	CV-094B	
4-9	505201-01500-50-A2	1	Cable Tie	CV-150SB/150L*2.5W*1.2T	
4-10	2399-00201-00	1	Protect Cover for Magnetic Brake	UL7-W/WD	
4-11	206216-88102	1	Magnetic core	LF-65	
4-12	4001380-23	1	Extension Lever for Freewheel	A380-23, FS888	
			----- * -----		
4-13	200920-78700	1	Connector	§ 8*20*13L	
4-14	5002-06016-220	4	CAP HEAD ALLEN SCREW	M6*P1.0*16L,Multicolored Galvanized	
4-15	4001393-03	1	Hook Plate	A393-3( § 6.1*60L)	
-----	301179-04	1	Trademark Sticker	N79-4	
-----	301174-74	1	Warning Sticker	N74-74, for Caution of Hot	

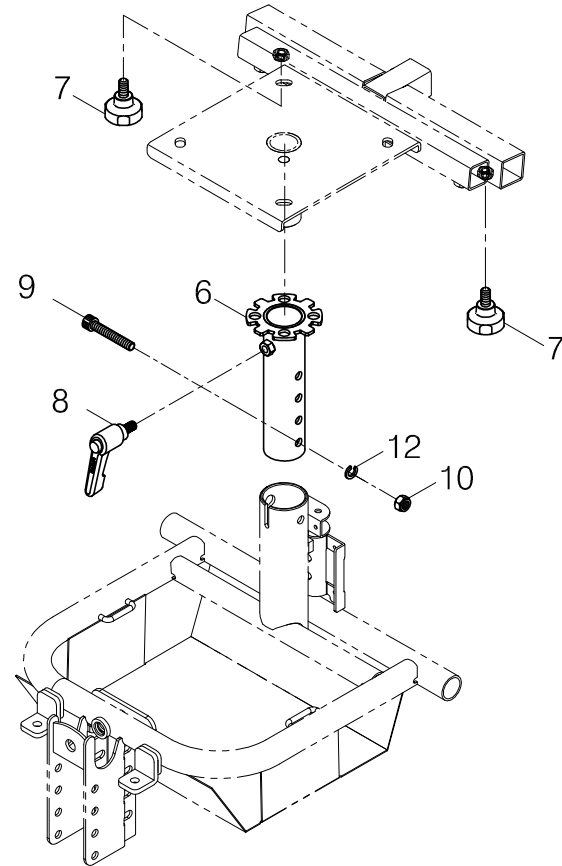
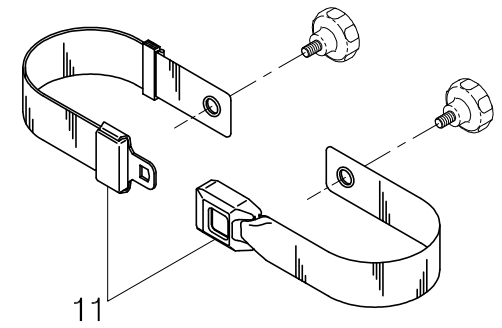
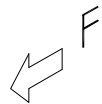
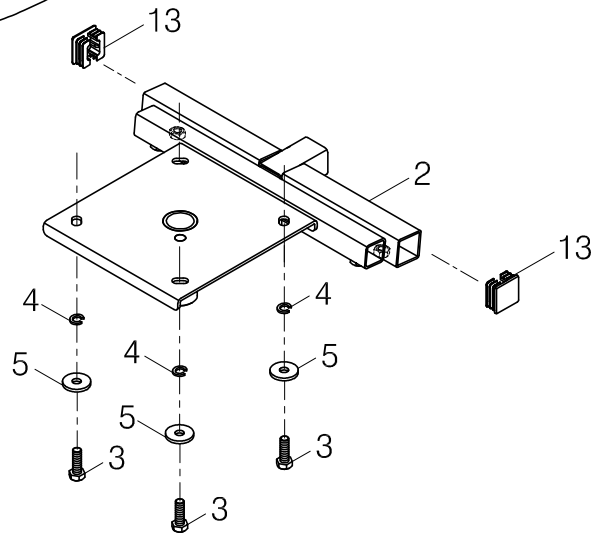
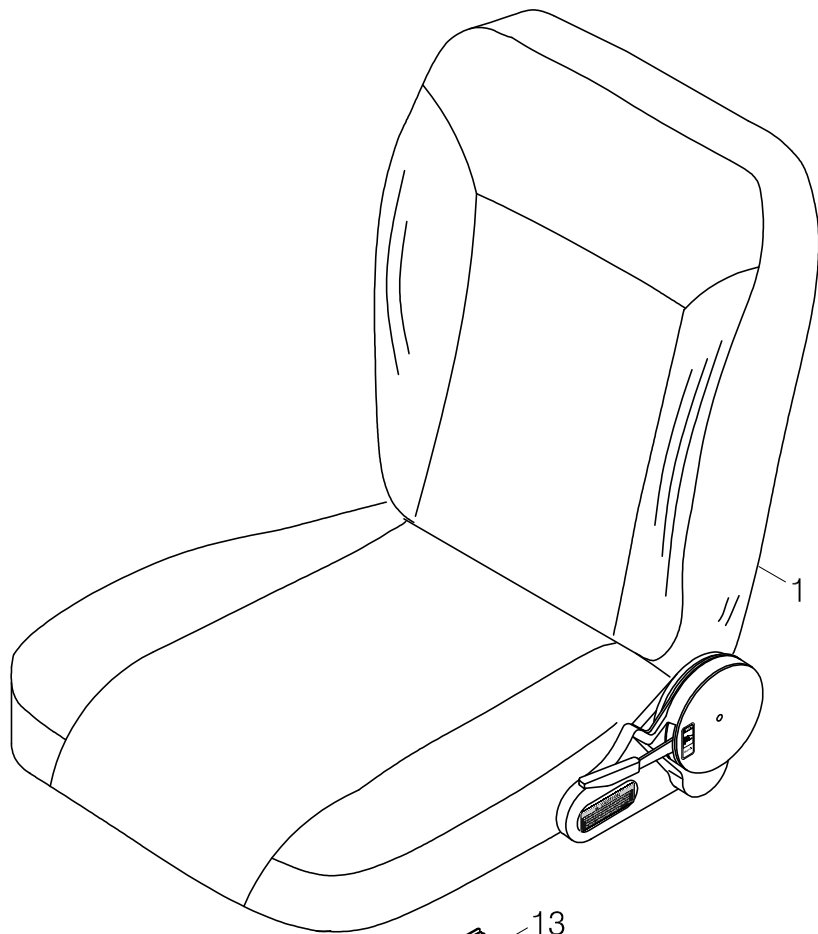


INDEX.5

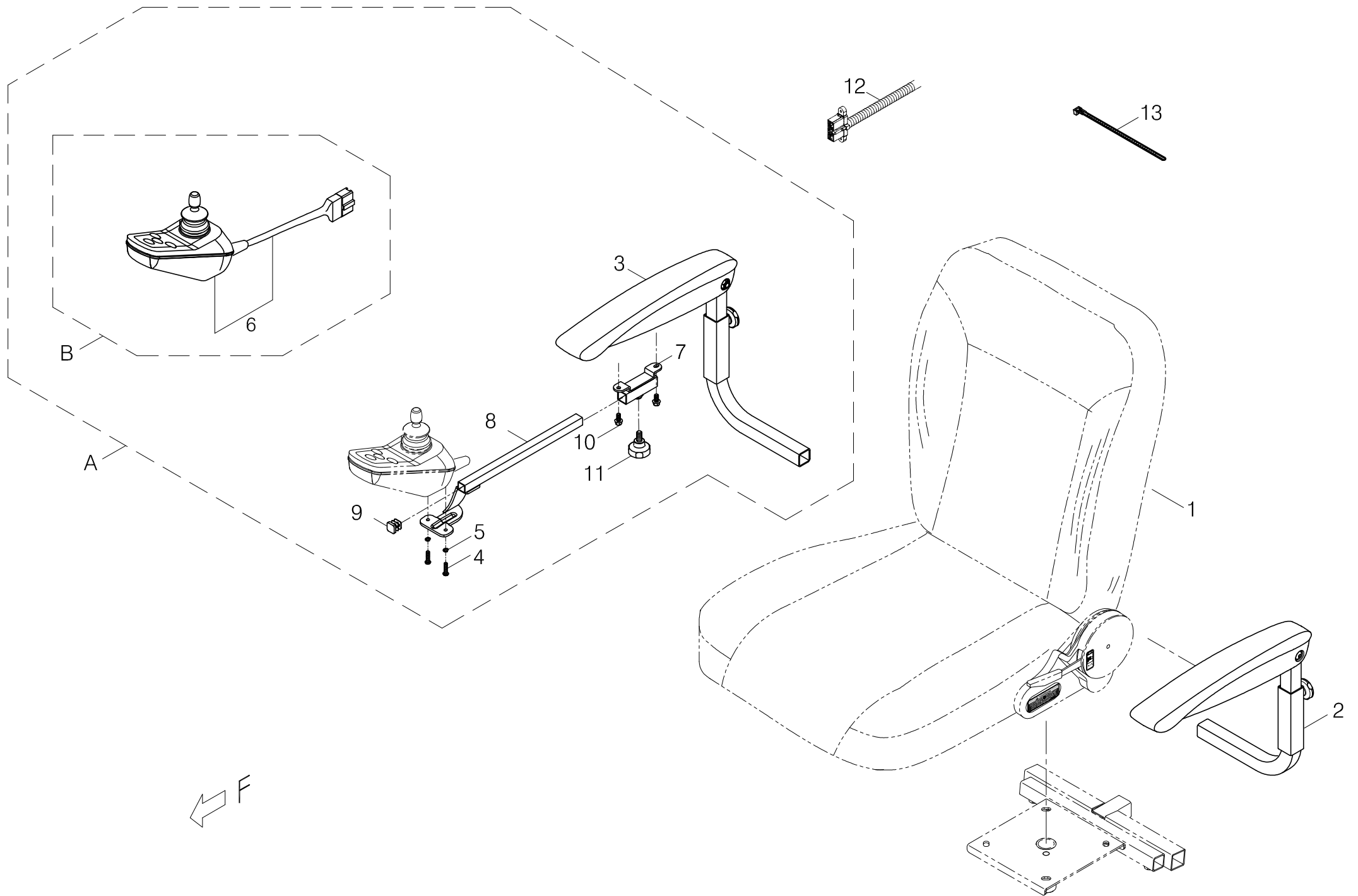
[back to contents](#)

Index NO.	Part NO.	Qty.	Description	Specification	Remark
5-1	100201-03011	1	Motor	7μM #1-1, 4950rpm	
5-2	-----	REF(1)	Decal		
5-A	-----	REF(1)	Rear cover assembly		
-----	-----	REF(2)	Carbon Brush		
-----	-----	REF(2)	Carbon brush cover		



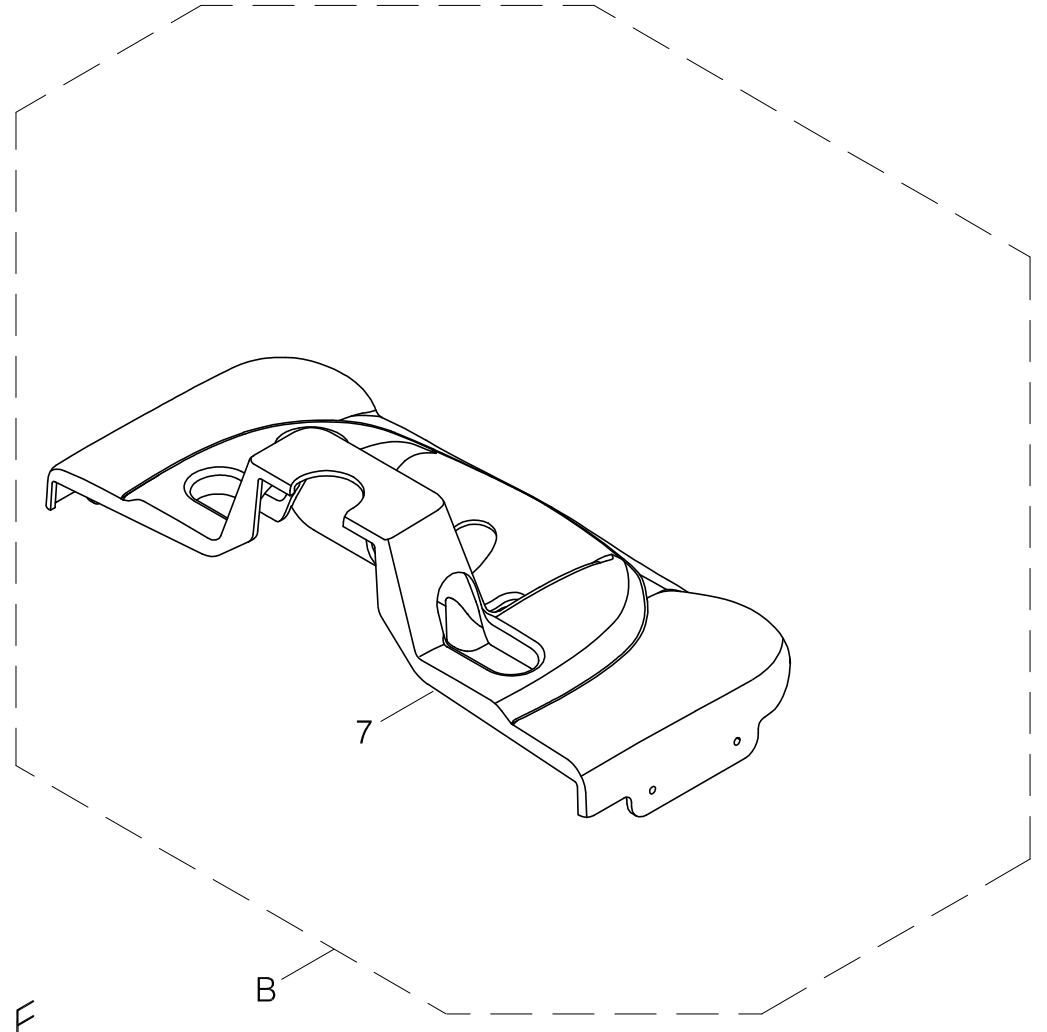
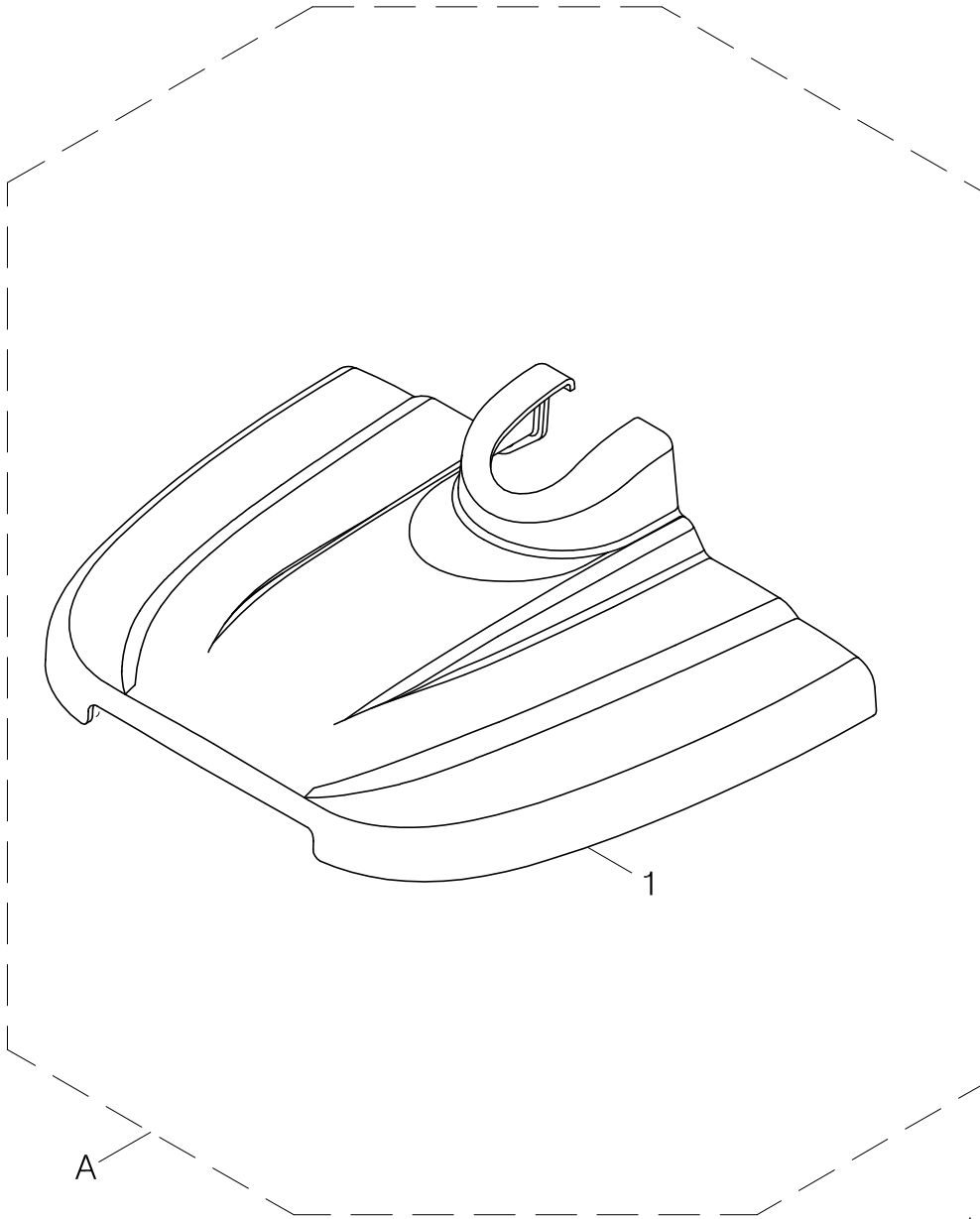


Index NO.	Part NO.	Qty.	Description	Specification	Remark
6	-----	REF(1)	SEAT STAND ASSEMBLY		
6-1	104021-00101-A3	REF(1)	Black Vinyl Captain Seat, w/o Headrest	18.5"x17.5", w/ Reclining 108, A3	
6-2	2345-00303-01-A2	1	Seat Adapter	UL8-W, for Armrest wid. 55mm, A2	
6-3	5001-08020-720	4	Hex Head Bolt	M8*P1.25*20L, Black Galvanized	
6-4	5022-08013-710	4	Spring Washer	φ 8*13,Black Galvanized	
6-5	5021-08022-710	4	Flat Washer	φ 8*22*2t,Black Galvanized	
-----	301174-31	1	Caution Sticker	N74-31	
			----- * -----		
6-6	2345-00101-00-A4	1	Seat Post Adaptor	UL8W, A4	
6-7	5008-08016-210-A2	2	Tighten Knob	M8*P1.25*17L,Multicolored Galvanized, A2	
6-8	201203-78702	1	Tightened Lever	62L(Black)	
6-9	5002-08050-720	1	CAP HEAD ALLEN SCREW	M8*P1.25*50L,Black Galvanized	
6-10	5012-08013-700	1	Nyloc Nut	M8*P1.25*13,7.8t,Black Galvanized	
6-11	300909-03	1	Seat belt(56")	#4(56")P715,Positioning strap,9153634837	
6-12	5022-08013-710	1	Spring Washer	φ 8*13,Black Galvanized	
			----- * -----		
6-13	209931-00105	2	Square Plug	30MM*30MM,2T	

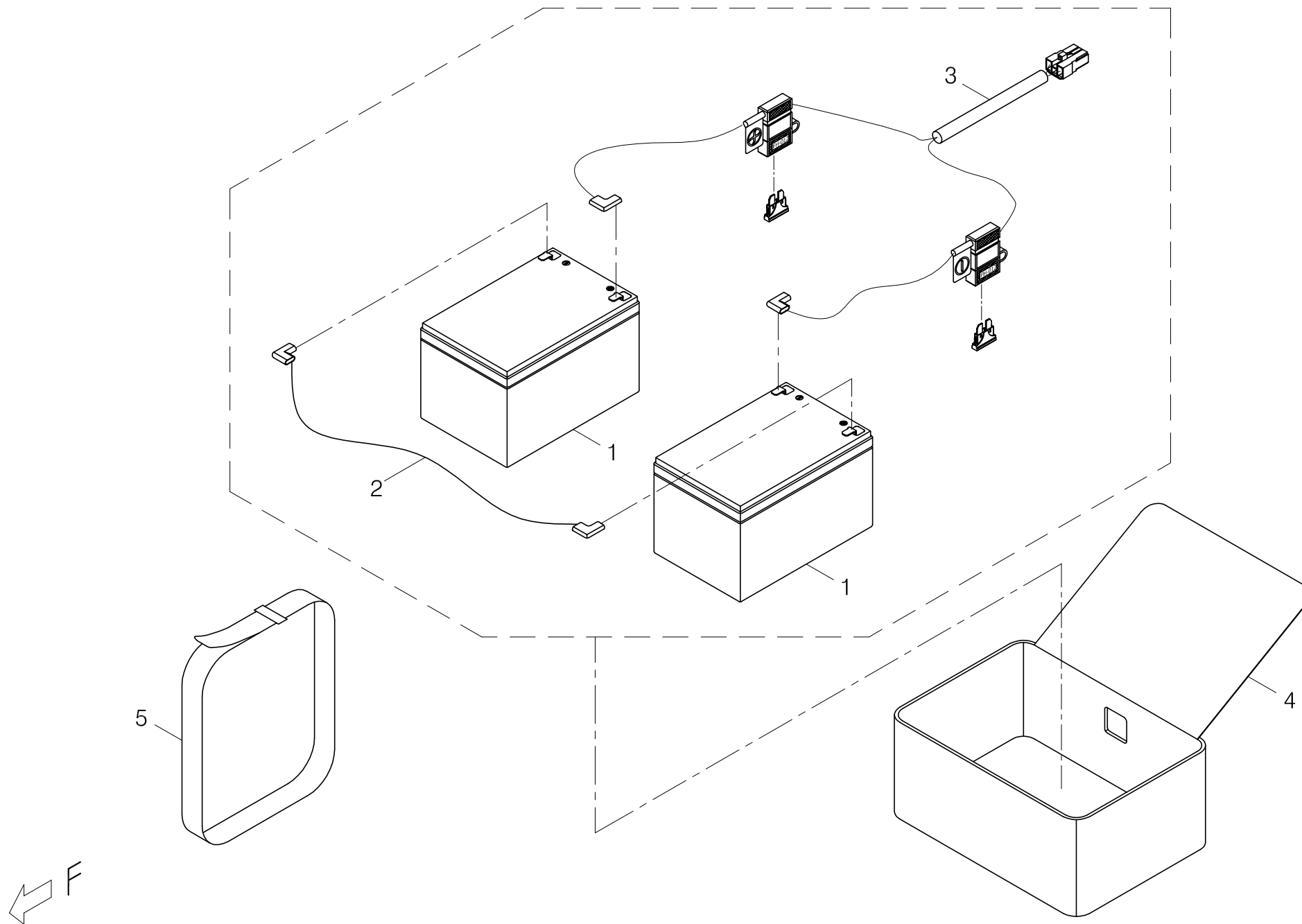


Index NO.	Part NO.	Qty.	Description	Specification	Remark
7	-----		Seat armrest assembly		
7-1	-----	REF(1)	SEAT STAND ASSEMBLY		
			-----*-----		
7-2	104300-00106-A5	1	Flipback Height Adjustable Armrest	Left, Econ., 14"H, Wid.58, A5, 92° Bent	
			-----*-----		
7-A	1361-00416-00	1	Joystick Controller Assembly	nVSI D51162, UL8-WPB	
7-3	104400-00106-A5	1	Flipback Height Adjustable Armrest	Right, Econ., 14"H, Wid.58, A5, 92° Ben	
7-4	5005-05015-710	2	Philip Cap Screw	M5*P0.8*15L,Black Galvanized	
7-5	5022-05008-310	2	Spring Washer	§ 5*8, Black Galvanized	
			-----*-----		
7-B	1361-00210-00-A2	1	Generic Controller Assembly	nVSI 50/D51162, 940L	
7-6	1361-00302-00	1	Joystick Controller Assembly	nVSI 50/D51162, 940L	
-----	301174-16	1	Warning Sticker	N74-16	
-----	301123-21-A2	1	Warning Sticker	N23-21-A2	
-----	301123-52	1	Warning Sticker	N23-52	
			-----*-----		
7-7	1343-00701-00	1	Receiver of Joystick Mount	P424M/L, 888WA	
7-8	1343-00700-00-A2	1	Mounting Bracket for Joystick Controller	G424M/L, 265mm, A2, Black Galvanized	
7-9	209931-00102	1	Square Plug	□15mm	
7-10	5007-06012-710	2	Hex head Philips Screw w/ Washer	M6*P1.0*12L,Black Galvanized	
7-11	5008-08020-210-A2	1	Tighten Knob	M8*P1.25*17L,Multicolored Galvanized,A2	
			-----*-----		
7-12	-----	REF	Main Control Cable	UL8-W-J3, UL8WPB	
			-----*-----		

Index NO.	Part NO.	Qty.	Description	Specification	Remark
7-13	505202-02000-50	2	Releasable Zip Tie	HV-200	

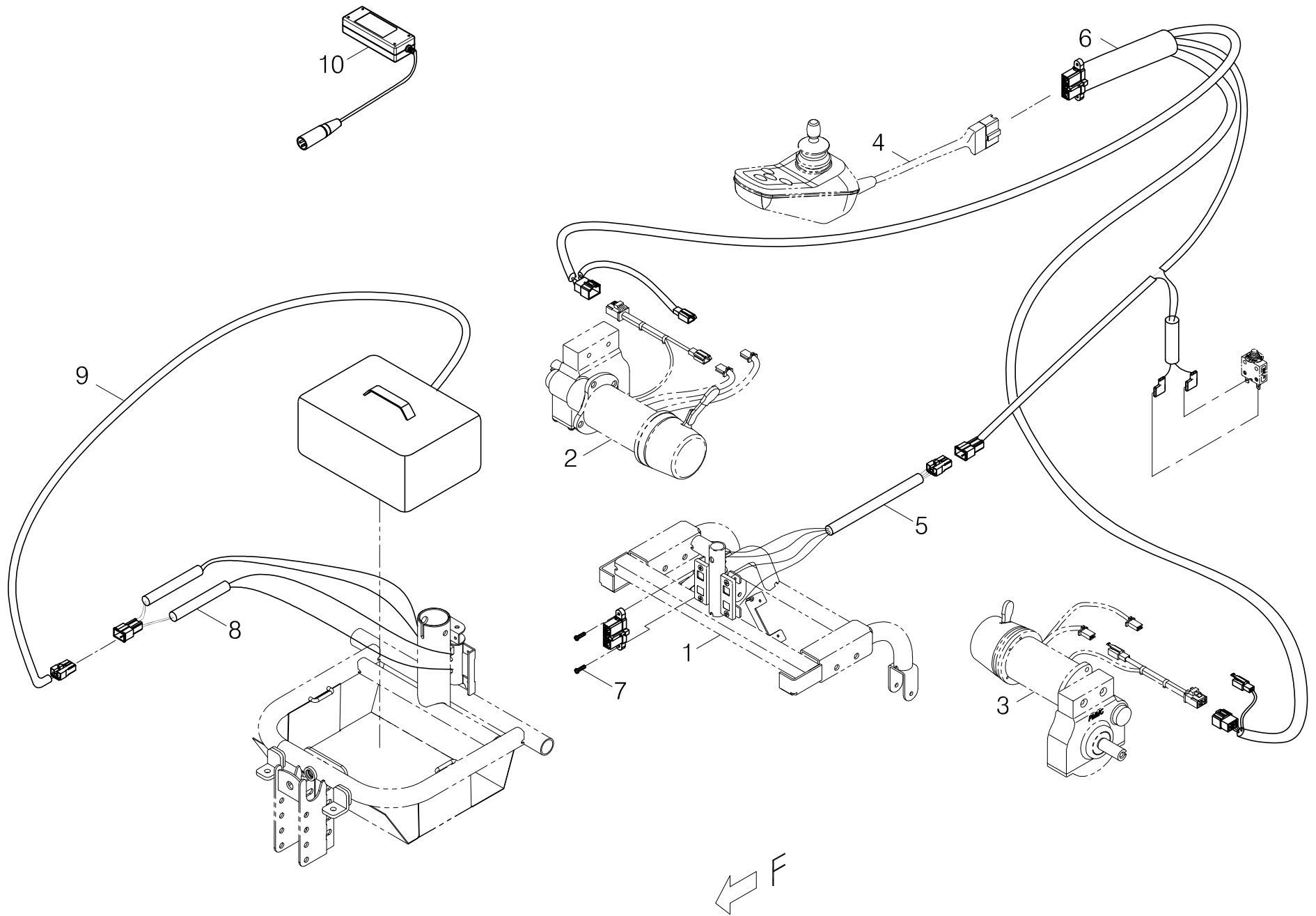


Index NO.	Part NO.	Qty.	Description	Specification	Remark
8-A	1331-00217-1822	1	Fornt Chassis Cover Assembly	w/ Decal, UL8W12, Burgundy Red	
8-1	1331-00115-0122-A2	1	Front Chassis Cover Assembly	UL8W, Burgundy Red, A2	
-----	301174-07-A2	1	Warning Sticker	N74-7-A2	
-----	301153-05	1	Battery Wiring Diagram Sticker	N53-5, UL8-WPB	
-----	301174-69-A2	1	Warning Sticker	N74-69-A2	
-----	301180-28	2	DECAL	N80-28 SHOPRIDER	
-----	301213-43	1	Model Decal, Axis	T13-43, CA08-UL8W	
			----- * -----		
8-B	1331-00218-1222	1	Rear Chassis Cover Assembly	w/Decal, UL8W, Burgundy Red	
8-7	1331-00116-0122-A2	1	Rear Chassis Cover Assembly	UL8W, Burgundy Red (A2)	
-----	301187-15	2	ON-BRAKE-OFF Label	N87-15, White Sign	
-----	301179-04	1	Trademark Sticker	N79-4	
-----	203203-00100	1	Emblem	UL8-W, Hunt-Tooth	
-----	301174-49	1	Warning Sticker	N74-49, UL8-W	
-----	301166-02	1	CE Mark Label	N66-2, White Sign	
-----	301174-45-A2	1	Warning Sticker	N74-45, A2	
-----	301217-05-A3	1	Trademark Decal, SHOPRIDER	T17-5-A3, 78.5*32	





Index NO.	Part NO.	Qty.	Description	Specification	Remark
9	800501-001-00-A4	1	SLA Battery Module	UL8-WPB, 14Ah, A4	
9-1	109101-66709-14	2	SLA Battery	12V 14Ah,PIHSIANG	
9-2	207014-69300	1	Connection cable	S8-L	
9-3	2370-00105-03	1	Battery Cable	UL8-W-F3, for UL8W w/ 12Ah Battery	
-----	206901-88104	REF(2)	Fuse	UL 40A	
9-4	300907-01	1	Battery Bag	12Ah, UL8-WPB	
9-5	209919-88101	1	Carrying Strap	25Wmm*12A+51B CM	

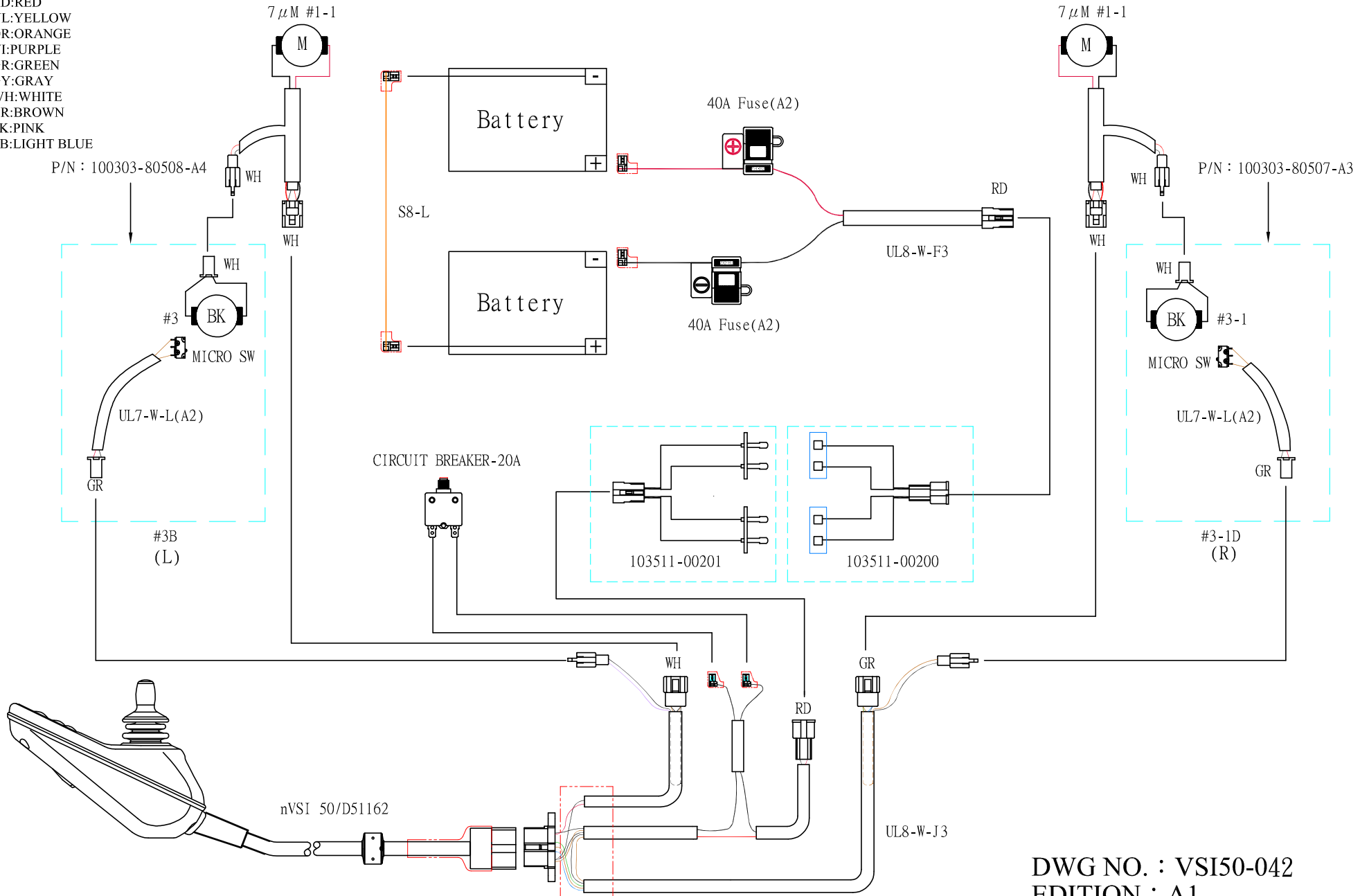


Index NO.	Part NO.	Qty.	Description	Specification	Remark
10	-----		Control and battery wiring illustration		
10-1	-----	REF(1)	Chassis		
			----- * -----		
10-2	-----	REF(1)	Motor/Gearbox/Brake Right Mini		
10-3	-----	REF(1)	Motor/Gearbox/Brake Left Mini		
10-4	-----	REF(1)	Generic controller assembly		
10-5	-----	REF(1)	Power Cable		
10-6	2370-01700-01	1	Main Control Cable	UL8-W-J3, UL8WPB	
10-7	5005-04015-711	2	Philip Cap Screw	M4*P0.7*15L,Black Galvanized,Nyloc	
10-8	-----	REF(1)	Power Cable		
10-9	-----	REF(1)	Battery cable		
10-10	109201-88613-A2	1	Off-Board Charger for SLA Battery	24V/2A, CP2420. A2	
-----	209201-88200	1	Power cord	North America,Asia,(2A)	
-----	505201-02000-50	4	Cable Tie	CV-200B	
-----	505201-01500-50-A2	4	Cable Tie	CV-150SB/150L*2.5W*1.2T	

Color Synopsis

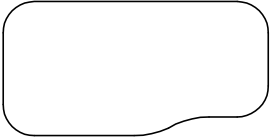
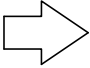


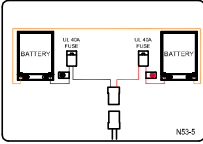


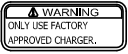


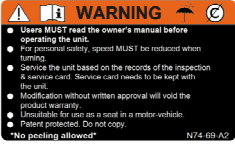



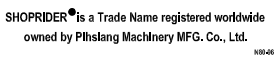



- BL:BLUE
- BK:BLACK
- RD:RED
- YL:YELLOW
- OR:ORANGE
- VI:PURPLE
- GR:GREEN
- GY:GRAY
- WH:WHITE
- BR: BROWN
- PK: PINK
- LB: LIGHT BLUE

# Wiring Diagram for UL8W12



DWG NO. : VSI50-042  
 EDITION : A1

# All Stickers and Decals shown as below and used on UL8W12

 <p>203203-00100</p>	 <p>301111-13</p>	 <p>301123-21-A2</p>	 <p>301123-52</p>	 <p>301153-05</p>	 <p>301166-02</p>
 <p>301174-07-A2</p>	 <p>301174-16</p>	 <p>301174-45-A2</p>	 <p>301174-49</p>	 <p>301174-69-A2</p>	 <p>301174-74</p>
 <p>301179-04</p>	 <p>301180-28</p>	 <p>301180-96</p>	 <p>301187-15</p>	 <p>301213-43</p>	 <p>301217-05-A3</p>