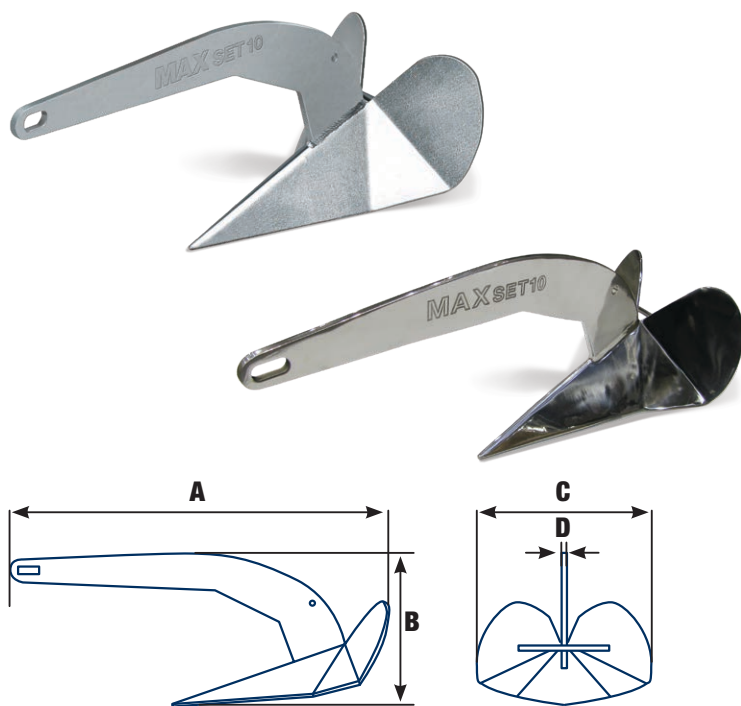




When it comes to anchoring, Maxwell provides the ultimate anchoring solution backed by sound advice and after sales service. A full range of anchoring accessory items are available. Please contact your nearest Maxwell office or local distributor for helpful advice and assistance.

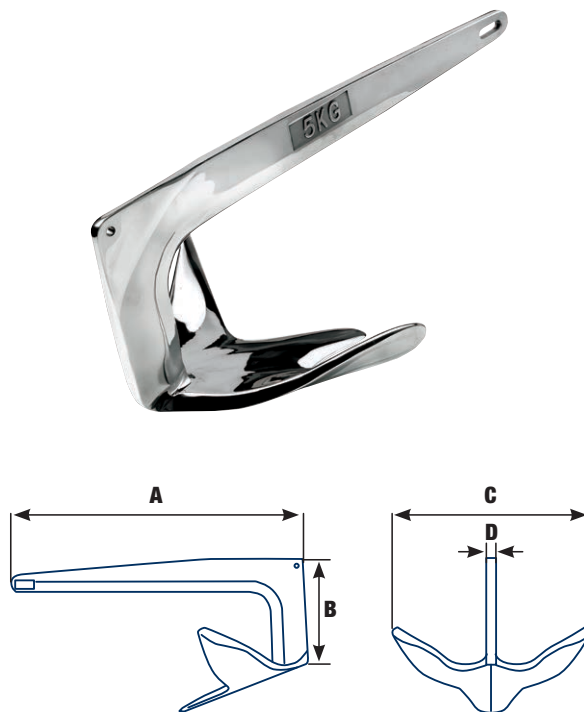
MAXSET ANCHORS

The "MAXSET" galvanised and stainless steel (AISI 316) anchor range, based on the proven 'Plough' design is available in eight different sizes to suit boats from approximately 4 metres (15') to 18 metres (58').



MAXCLAW ANCHORS

The "MAXCLAW" 316 Stainless Steel anchor range, based on the proven 'North Sea' claw design is available in seven different sizes to suit boats from approximately 4 metres (12') to 17 metres (55').



MAXSET ANCHORS STAINLESS STEEL	MAXSET ANCHORS GALVANISED	ANCHOR WEIGHTS	A	B	C	D
P105070	P105069	4 kg/9 lbs	530 mm (20 7/8")	222 mm (8 3/4")	245 mm (9 5/8")	8 mm (5/16")
P105055	P105000	6 kg/13 lbs	620 mm (24 1/2")	230 mm (9 1/8")	262 mm (10 3/8")	10 mm (3/8")
P105056	P105001	10 kg/22 lbs	730 mm (28 3/4")	275 mm (10 7/8")	315 mm (12 1/2")	12 mm (1/2")
P105057	P105002	16 kg/35 lbs	820 mm (32 3/8")	315 mm (12 1/2")	340 mm (13 1/2")	14 mm (9/16")
P105058	P105003	20 kg/44 lbs	890 mm (35")	345 mm (13 5/8")	400 mm (15 3/4")	16 mm (5/8")
P105059	P105004	25 kg/55 lbs	986 mm (38 7/8")	410 mm (16 1/8")	445 mm (17 1/2")	16 mm (5/8")
P105067	P105005	30 kg/66 lbs	1050 mm (38 7/8")	445 mm (16 1/8")	465 mm (17 1/2")	20 mm (5/8")
P105068	P105006	40 kg/88 lbs	1130 mm (44 1/2")	470 mm (18 1/2")	510 mm (20")	20 mm (3/4")

MAXCLAW STAINLESS STEEL	ANCHOR WEIGHTS	A	B	C	D
P105060	5 kg/11 lbs	470 mm (18 5/8")	190 mm (7 1/2")	310 mm (12 1/4")	15 - 18 mm (5/8"-3/4")
P105061	8 kg/18 lbs	530 mm (20 7/8")	210 mm (8 3/8")	360 mm (14 1/4")	15 - 18 mm (5/8"-3/4")
P105062	10 kg/22 lbs	600 mm (23 5/8")	228 mm (9")	380 mm (15")	15 - 18 mm (5/8"-3/4")
P105063	15 kg/33 lbs	670 mm (26 1/2")	265 mm (10 1/2")	450 mm (17 3/4")	15 - 18 mm (5/8"-3/4")
P105064	20 kg/44 lbs	715 mm (28 1/4")	360 mm (14 1/4")	470 mm (18 5/8")	15 - 20 mm (5/8"-7/8")
P105065	30 kg/66 lbs	815 mm (32 1/8")	425 mm (16 3/4")	550 mm (21 3/4")	18 - 25 mm (3/4"-1")
P105066	40 kg/88 lbs	1000 mm (39 3/8")	440 mm (17 3/8")	675 mm (26 5/8")	18 - 30 mm (3/4"-1 1/4")



MAXSET ANCHORS AND MAXSET BOW ROLLERS

See chart below to select the most suitable bow roller for use with your MAXSET or MAXCLAW anchor.

MAXSET ANCHORS			TO SUIT APPROXIMATE BOAT LENGTH												MAXSET BOW ROLLERS			
Stainless Steel	Galvanised	Weight	4M (13')	6M (20')	8M (26')	10M (33')	12M (39')	14M (46')	16M (52')	18M (59')							Satin Finish	Polished Finish
P105070	P105069	4 kg/9 lbs	■														P105074	P105075
P105055	P105000	6 kg/13 lbs		■													P105074	P105075
P105056	P105001	10 kg/22 lbs			■												P105076	P105077
P105057	P105002	16 kg/35 lbs				■											P105078	P105079
P105058	P105003	20 kg/44 lbs					■										P105080	P105081
P105059	P105004	25 kg/55 lbs						■									P105082	P105083
P105067	P105005	30 kg/66 lbs							■								P105082	P105083
P105068	P105006	40 kg/88 lbs								■							P105082	P105083
MAXCLAW ANCHORS			TO SUIT APPROXIMATE BOAT LENGTH															
P105060		5 kg/11 lbs	■															
P105061		7.5 kg/17 lbs		■														
P105062		10 kg/22 lbs			■													
P105063		15 kg/33 lbs				■												
P105064		20 kg/44 lbs					■											
P105065		30 kg/66 lbs						■										
P105066		40 kg/88 lbs							■									



ANCHOR SWIVEL SHACKLES



6-8 MM (P104370)



10-13 MM (P104371)

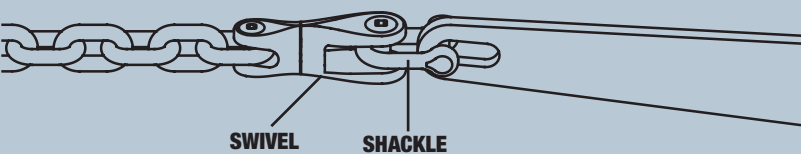
ANCHOR SWIVEL SHACKLES

Improve your anchor retrieval

The use of a swivel and joining shackle for your anchor and rode will greatly improve anchor retrieval and help ensure that the rode lays neatly into your anchor locker.

Maxwell has 2 available sizes for use with its automatic rope/chain series windlasses to suit vessels up to 20 metres (65 feet):

- 6-8 mm (1/4" - 5/16")
- 10-13 mm (3/8" - 1/2")



EMERGENCY CRANK/CLUTCH RELEASE HANDLES AND BI-SQUARE EXTENSION DRIVES

Especially for RC and HRC Series

These crank handles are available in 2 different sizes to suit the constraints of most foredeck configurations. They are constructed of light weight, durable injection-molded plastic and will float if accidentally dropped overboard.

Bi-square drives are also available in a 150 mm inline extension for use on windlasses mounted in recessed lockers.

A Bi-square to 1/2" square drive adaptor which can be used in conjunction with standard 1/2" ratchets and tools.

BI-SQUARE EXTENSION AND 1/2" DRIVE

