

### SPECIFICATIONS

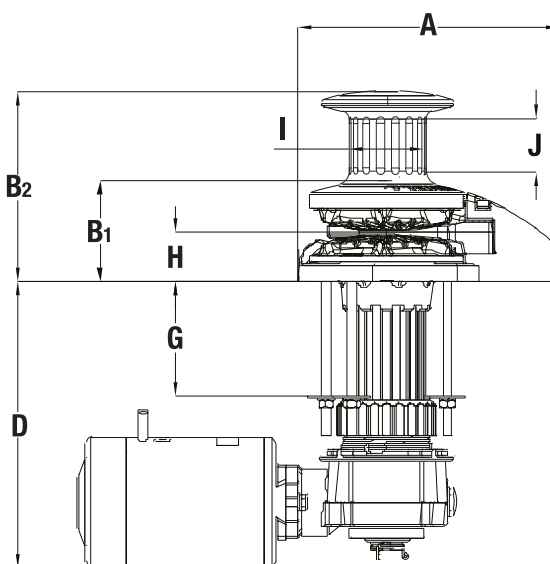
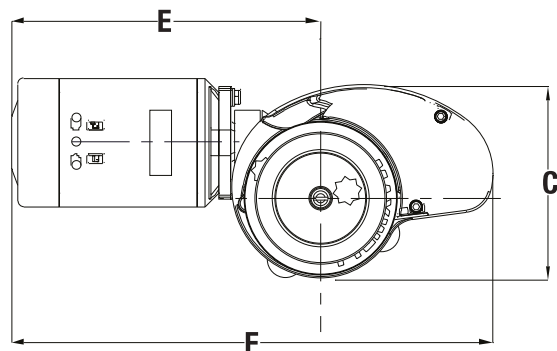
Model	RC10 (8 mm-5/16")	RC10 (10 mm-3/8")
Maximum Pull/Lift	700 kg 1540 lbs	850 kg 1870 lbs
Static Hold	1500 kg 3300 lbs	1500 kg 3300 lbs
Chain Short Link	8 mm 5/16"	10 mm 3/8"
Rope Size (Nylon)* (3 strand or 8 plait recommended)	14 mm - 16mm 9/16"-5/8"	16 mm 5/8"
Chain Speed (Normal Working load)	24 m/min 79 ft/min	24 m/min 79 ft/min
Rope Speed (Normal Working load)	20 m/min 65 ft/min	20 m/min 65 ft/min
Power Supply (DC)	12 or 24 V	12 or 24 V
Motor (Watts)	1000 W	1200 W
Net Weight	19 kg 42 lbs	20 kg 44 lbs

\* refer to owners manual for rope size variations.

### DIMENSIONS

Model	RC10 (8 mm-5/16")	RC10 (10 mm-3/8")
A	230 mm 9 1/8"	230 mm 9 1/8"
B1	89 mm 3 1/2"	89 mm 3 1/2"
B2 (with capstan)	168 mm 6 5/8"	168 mm 6 5/8"
C	170 mm 6 3/4"	170 mm 6 3/4"
D	251 mm 10"	251 mm 10"
E	272 mm 10 3/4"	272 mm 10 3/4"
F	424 mm 16 3/4"	424 mm 16 3/4"
G (Std deck clearance) ^	100 mm 4"	100 mm 4"
H	43 mm 1 3/4"	43 mm 1 3/4"
I	66 mm 2 5/8"	66 mm 2 5/8"
J	44 mm 1 3/4"	44 mm 1 3/4"

^ extra deck clearance models available. Contact your Maxwell dealer.



**Important:** Maxwell windlasses must be used in conjunction with a chain stopper or alternative snubbing device to take the load off the windlass while laying at anchor. The chain stopper and alternative snubbing system should also be used to secure the anchor in the fully raised position while under way.

### HEIGHT MATCHED CHAIN STOPPER

- For use with Maxwell's rope/chain vertical windlasses
- Height adjusted to most effectively align chain with the chainwheel
- No height adjustment plinth required
- Refer to page 313 for more information



Height Matched  
Chain Stopper

### STANDARD EQUIPMENT REQUIRED FOR DUAL DIRECTION CONTROL

- Dual Direction Solenoid (included)
- Emergency crank/clutch release handle lever (included)
- Up/Down remote control panel (not included)
- Circuit breaker/isolator panel (not included)

### OPTIONS

1. AutoAnchor™ Equipment
2. Compact Remote
3. Foot Switches
4. Chain Stopper
5. Chain Snubber
6. Capstan model

Every Maxwell RC10 automatic rope/chain windlass comes with top works, motor/gear box and dual direction solenoid. Switches and circuit breaker are available and need to be ordered separately. Refer chart on page 318.

