

SPECIFICATIONS

Model	RC8 (6/7 mm-1/4")	RC8 (8 mm-5/16")
	kg / lbs	kg / lbs
Maximum Pull/Lift	350 kg / 770 lbs	600 kg / 1320 lbs
Static Hold	1200 kg / 2640 lbs	1200 kg / 2640 lbs
Chain Short Link	6/7 mm - 1/4"	8 mm - 5/16"
Rope Size (Nylon)* (3 strand or 8 plait recommended)	12 mm - 1/2"	14 mm/16 mm - 9/16"-5/8"
Chain Speed (Anchor Retrieval)	28 m/min - 92 ft/min	32 m/min - 105 ft/min
Rope Speed (Anchor Retrieval)	24 m/min - 79 ft/min	28 m/min - 92 ft/min
Power Supply (DC)	12 or 24 V	12 or 24 V
Motor Power	600 W	1000 W
Net Weight	12.5 kg / 27.5 lbs	16.5 kg / 36.3 lbs

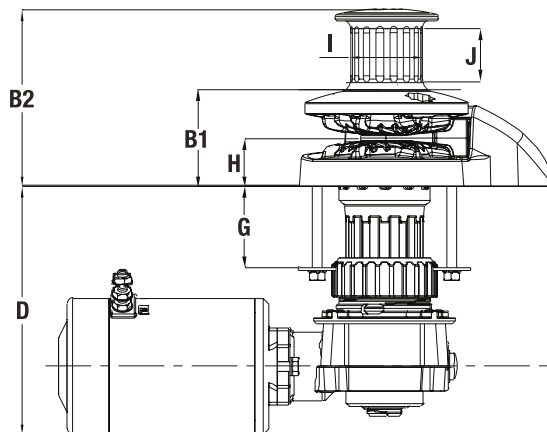
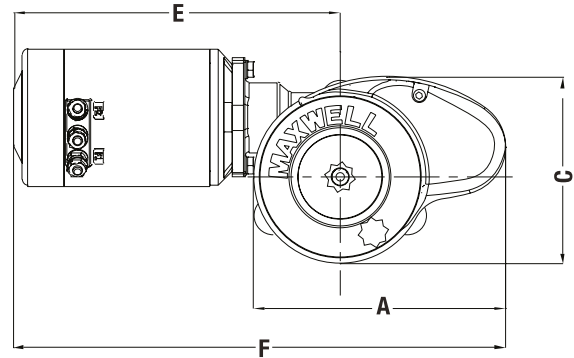
* Refer to owners manual for rope size variations

DIMENSIONS

Model	RC8 (6/7 mm-1/4")	RC8 (8 mm-5/16")
A	210 mm / 8 5/16"	210 mm / 8 5/16"
B1	83 mm / 3 5/16"	83 mm / 3 5/16"
B2 (with Capstan)	146 mm / 5 3/4"	146 mm / 5 3/4"
C	156 mm / 6 3/16"	156 mm / 6 3/16"
D	200 mm / 7 7/8"	208 mm / 8 1/4"
E	245 mm / 9 5/8"	272 mm / 10 3/4"
F	383 mm / 15"	410 mm / 16 1/4"
G (Std deck clearance) ^	65 mm / 2 1/2"	65 mm / 2 1/2"
H	40 mm / 1 5/8"	40 mm / 1 5/8"
I	66 mm / 2 5/8"	66 mm / 2 5/8"
J	44 mm / 1 3/4"	44 mm / 1 3/4"

^ extra deck clearance models available. Contact your Maxwell dealer.

Mid-range rope/chain anchor winch



Important: Maxwell windlasses must be used in conjunction with a chain stopper or alternative snubbing device to take the load off the windlass while laying at anchor. The chain stopper and alternative snubbing system should also be used to secure the anchor in the fully raised position while under way.

STANDARD EQUIPMENT REQUIRED FOR DUAL DIRECTION CONTROL

- Dual Direction Solenoid (included)
- Emergency crank/clutch release handle lever (included)
- Up/Down remote control panel (not included)
- Circuit breaker/isolator panel (not included)

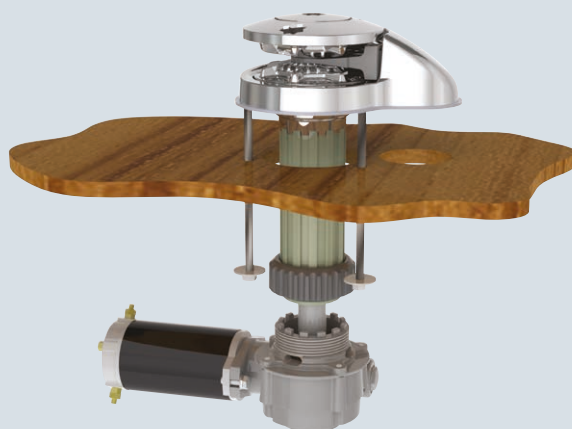
Every Maxwell RC8 automatic rope/chain windlass comes with the top works, gear box, motor and dual-direction solenoid. Switches and circuit breaker are available and need to be ordered separately. Refer chart on page 318.

HEIGHT MATCHED CHAIN STOPPER

- For use with Maxwell's rope/chain vertical windlasses
- Height adjusted to most effectively align chain with the chainwheel
- No height adjustment plinth required
- Refer to page 313 for more information



Height Matched Chain Stopper



OPTIONS

1. AutoAnchor™ Equipment
2. Compact Remote
3. Foot Switches
4. Chain Stopper
5. Chain Snubber
6. Capstan model

