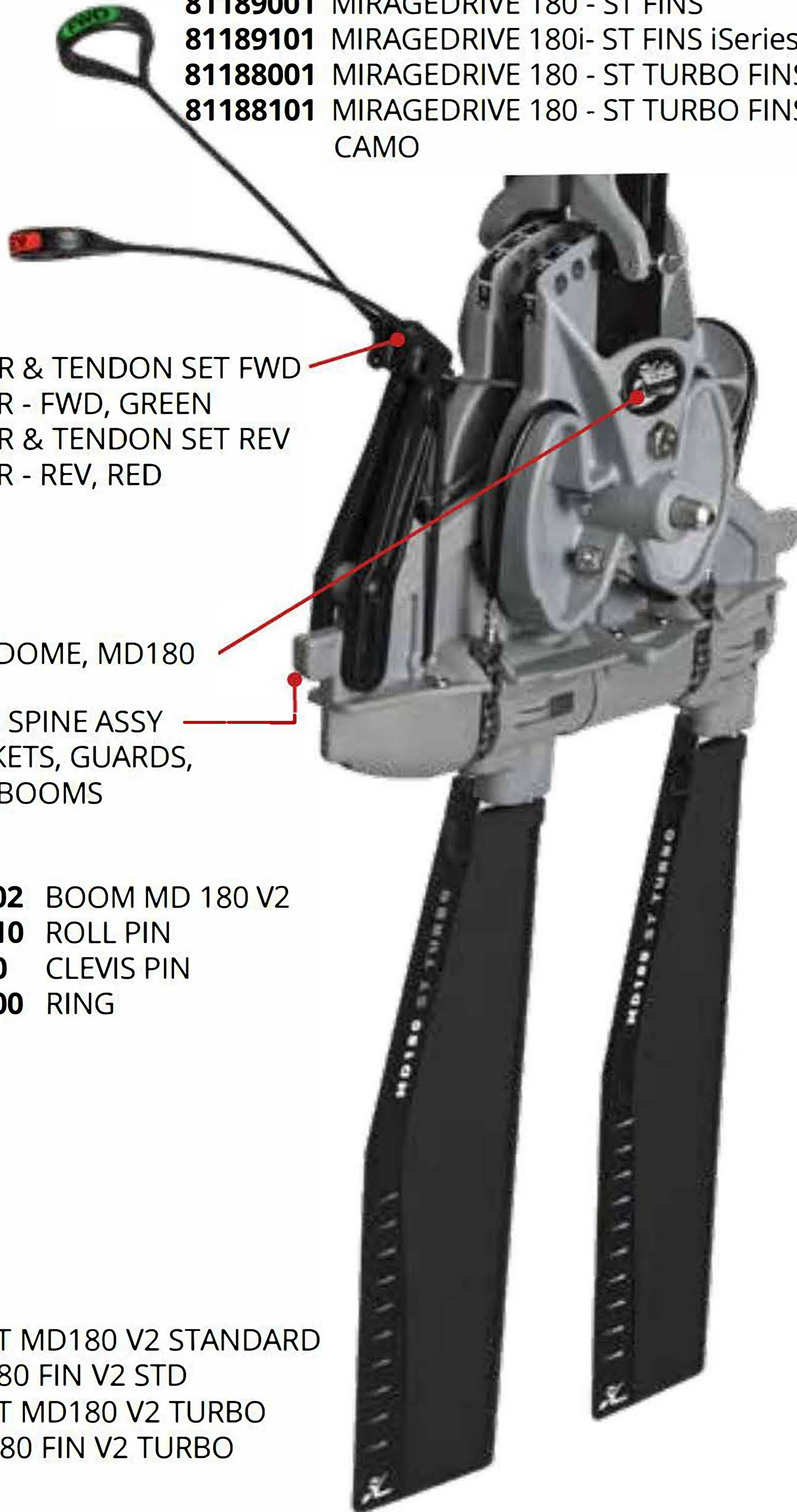


HOBIE MIRAGEDRIVE 180

- 81189001** MIRAGEDRIVE 180 - ST FINS
- 81189101** MIRAGEDRIVE 180i- ST FINS iSeries
- 81188001** MIRAGEDRIVE 180 - ST TURBO FINS
- 81188101** MIRAGEDRIVE 180 - ST TURBO FINS CAMO



- 81486021** SHIFTER & TENDON SET FWD
- 81000801** STICKER - FWD, GREEN
- 81491021** SHIFTER & TENDON SET REV
- 81000901** STICKER - REV, RED
- 8031190** SCREW

72545001 DECAL DOME, MD180

81527002 MD 180 SPINE ASSY
INCLUDES SPROCKETS, GUARDS,
SHIFTERS AND V2 BOOMS

- 81503002** BOOM MD 180 V2
- 96610010** ROLL PIN
- 8020030** CLEVIS PIN
- 81503100** RING

- 81528002** MAST MD180 V2 STANDARD
- 81500002** MD180 FIN V2 STD
- 81529002** MAST MD180 V2 TURBO
- 81501002** MD180 FIN V2 TURBO

TECH TIP!

MAINTENANCE AND TUNING - Maintenance and tuning information for MirageDrives is available on the Hobie Cat website support area. Click the kayak model name then see Care and Maintenance.

Direct link to the support pages for kayaks is here:
<http://www.hobie.com/support/>

HOBIE MIRAGEDRIVE —OLDER—

Original drive with aluminum spine, stainless sprocket / mast connection is cotter key. Limited parts available.

- 81130001** SPROCKET (STAINLESS)
- 81340001** SPROCKET BUSHING (SS SPKT)
- 8060111** COTTER KEY (MAST / SS SPKT)
- 8020061** CLEVIS PIN
- 10860001** LOCK RING
- 81211001** IDLER CABLE 14 3/4" (SOLID PULLEY)
- 81150001** DRUM BUSHING (ALUM DRUM)
- 81105001** CRANK ARM RIGHT, THREADED

MIRAGEDRIVE SPARE PARTS KITS

Spare parts kits include a fin, mast, sprocket, chain and appropriate parts for the drive version. Older drives have sprockets and masts that use a set screw connection. V2 drives use threaded sprockets and masts. All in a handy zippered pouch. Don't waste a day on the water when your MirageDrive could be easily repaired. Available for the standard fin drive or a drive with the ST Turbo fins. Standard kit shown.

MIRAGEDRIVE GT (THREADED MAST)

- 80010401** GT ST (Bearing Sprocket)
- 80013401** GT TURBO (Bearing Sprocket)