

## Comptoir vitré 1/3 vision aluminium

3-1 to 3-11 1/3 Visible Part of Showcase		QTY
3-1	1/4 Round Alum. Frame Bar (Upper/Front)	1 PC
3-2	1/4 Round Alum. Frame Bar (Upper/Back)	1 PC
3-3	1/4 Round Alum. Frame Bar (Upper/Left & Right)	2 PCS
3-4	Alum. Corner Joint	4 PCS
3-5	Glass Plate (The Top of Showcase)	1 PC
3-6	1/4 Round Alum. Frame Colum (Front/Left & Right)	2 PCS
3-7	1/4 Round Alum. Frame Colum (Back/Left & Right)	2 PCS
3-8	Sliding Panel Door	2 PCS
3-9	Lock	1 PC
3-10	Side Glass Plate (Left & Right)	2 PCS
3-11	Front Glass Plate	1 PC
3-12 to 3-21B 2/3 Storage Part of Showcase		QTY
3-12	Rectangular Alum. Frame Bar (Middle/Front)	1 PC
3-13	Rectangular Alum. Frame Bar (Middle/Back)	1 PC
3-14	Rectangular Alum. Frame Bar (Middle/Left & Right)	2 PCS
3-15	Rectangle Alum. Frame Bar (Bottom/Left & Right)	2 PCS
3-16	Front Panel Board	1 PC
3-17	Sliding Panel Door	2 PCS
3-18	Upper & Bottom Board	2 PCS
3-19	Wooden Shelf	1 PC
3-20	Side Board (Left & Right)	2 PCS
3-21A	Rectangular Alum. Frame Bar (Bottom/Front)	1 PC
3-21B	Rectangular Alum. Frame Bar (Bottom/Back)	1 PC
3-22 to 3-26 Base of Showcase		QTY
3-22	Front & Back Board	2 PCS
3-23	Left & Right Board	2 PCS
3-24	Metal Joint Screw	10 PCS
3-24.1	Cam-lock	10 PCS
3-25	Leveler	4 PCS
3-26	Reinforcement Bar	1 PC
	Metal Screws	20 PCS



0814

## Comptoir vitré 1/3 vision aluminium

A- 48" x 20" x 38 3/8"

B- 60" x 20" x 38 3/8"

C- 70" x 20" x 38 3/8"

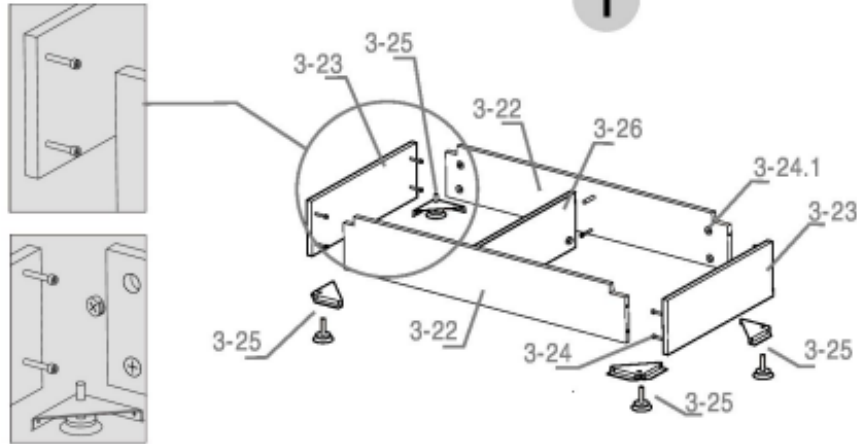
D- 72" x 20" x 38 3/8"

0814  
Comptoir vitré 1/3 vision

- A- 48" x 20" x 38 3/8"
- B- 60" x 20" x 38 3/8"
- C- 70" x 20" x 38 3/8"
- D- 72" x 20" x 38 3/8"

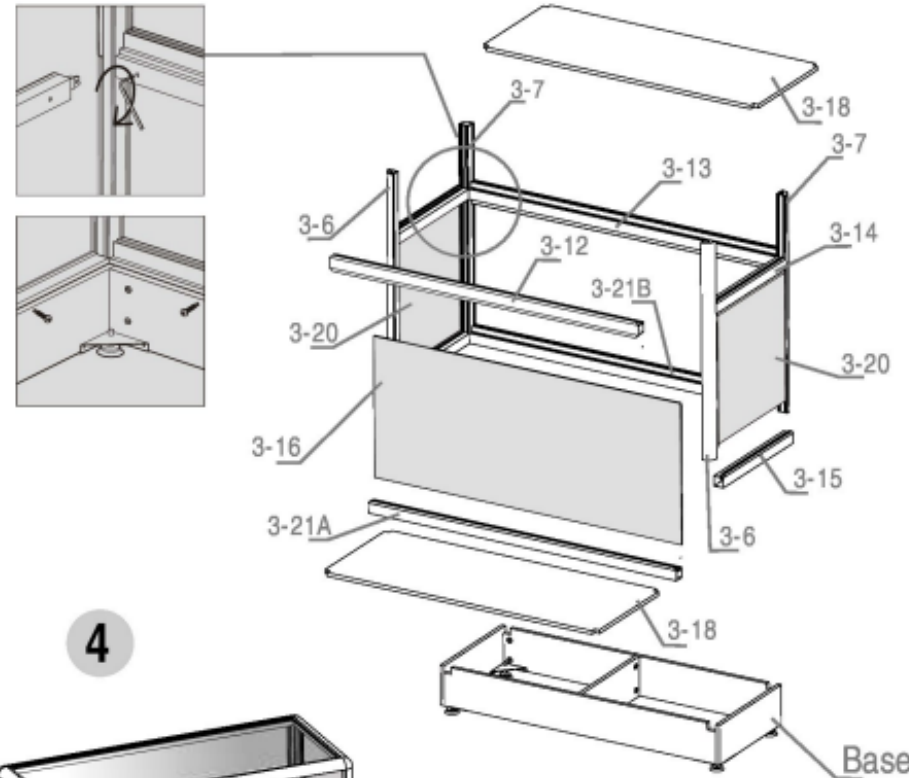
# MIMOBICO INC

**Base**



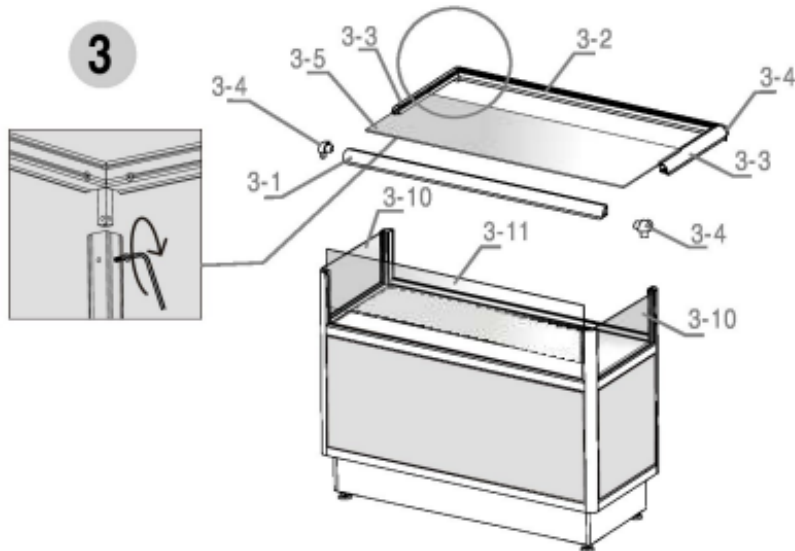
**2/3 Storage Part**

**2**



**1/3 Visible Part**

**3**



**4**



**5**

