

**JUKI**<sup>®</sup>

Sewing machine for professional use

**TL-2010Q/2000Qi**

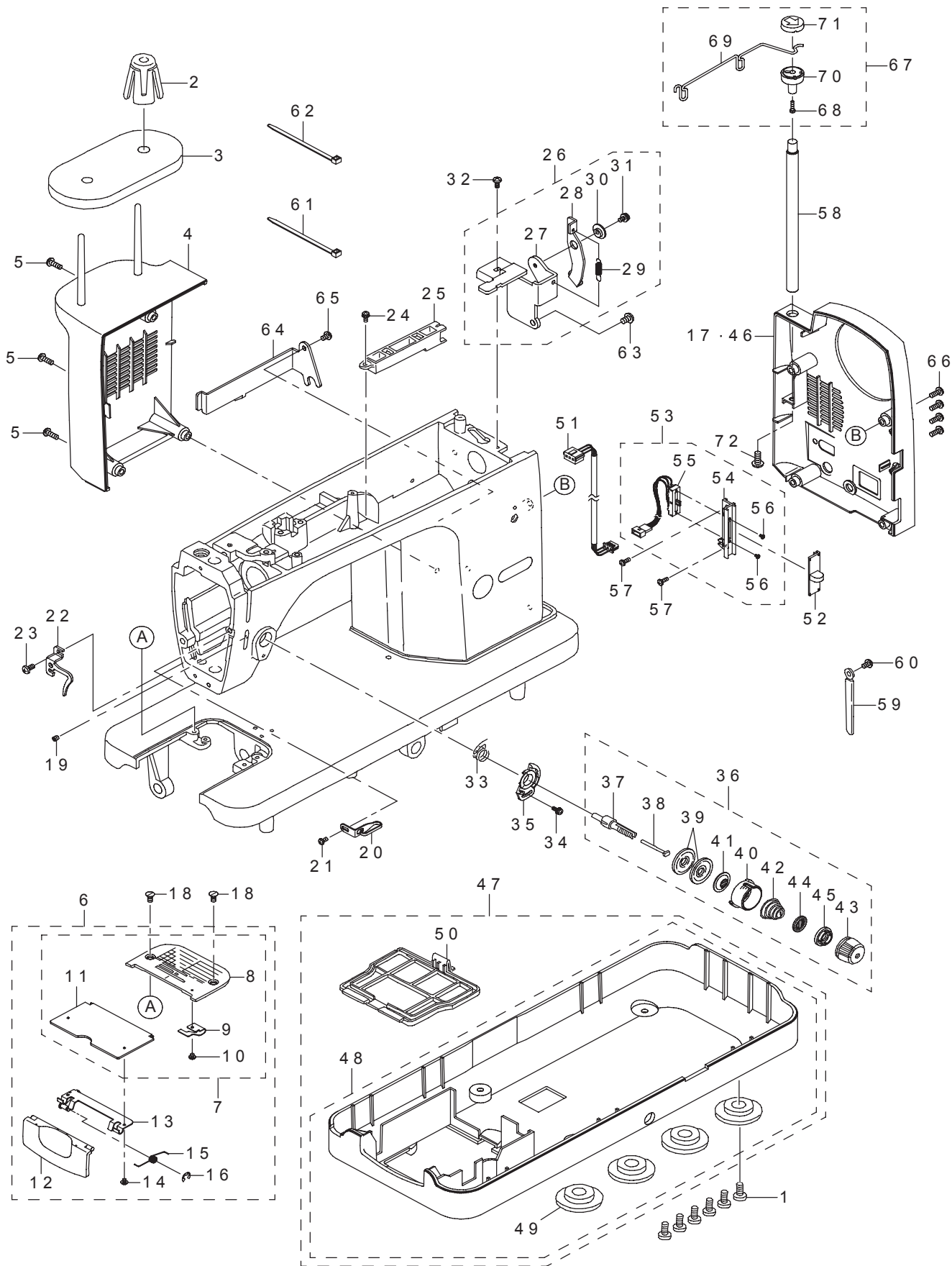
# **PARTS LIST**

---

# CONTENTS

1. HEAD AND OUTER COMPONENTS .....	1
2. ARM COVER, FACE PLATE AND LAMP COMPONENTS .....	3
3. MAIN SHAFT, THREAD TAKE-UP AND IDLER COMPONENTS .....	5
4. NEEDLE BAR, HOOK DRIVING SHAFT AND THREADER COMPONENTS .....	7
5. FEED MECHANISM COMPONENTS .....	9
6. DROP FEED KNOB COMPONENTS .....	11
7. PRESSER, KNEE LIFTER, WIRE HOLDER AND THREAD RELEASE COMPONENTS .....	13
8. MOTOR AND MAIN CIRCUIT BOARD COMPONENTS .....	15
9. MOVING KNIFE, LOOPER AND THREAD TRIMMER SOLENOID COMPONENTS.....	17
10. ACCESSORIES AND PACKING COMPONENTS.....	19
11. SEPARATELY-SOLD COMPONENTS.....	21
NUMERICAL INDEX OF PARTS.....	22

# 1. HEAD AND OUTER COMPONENTS



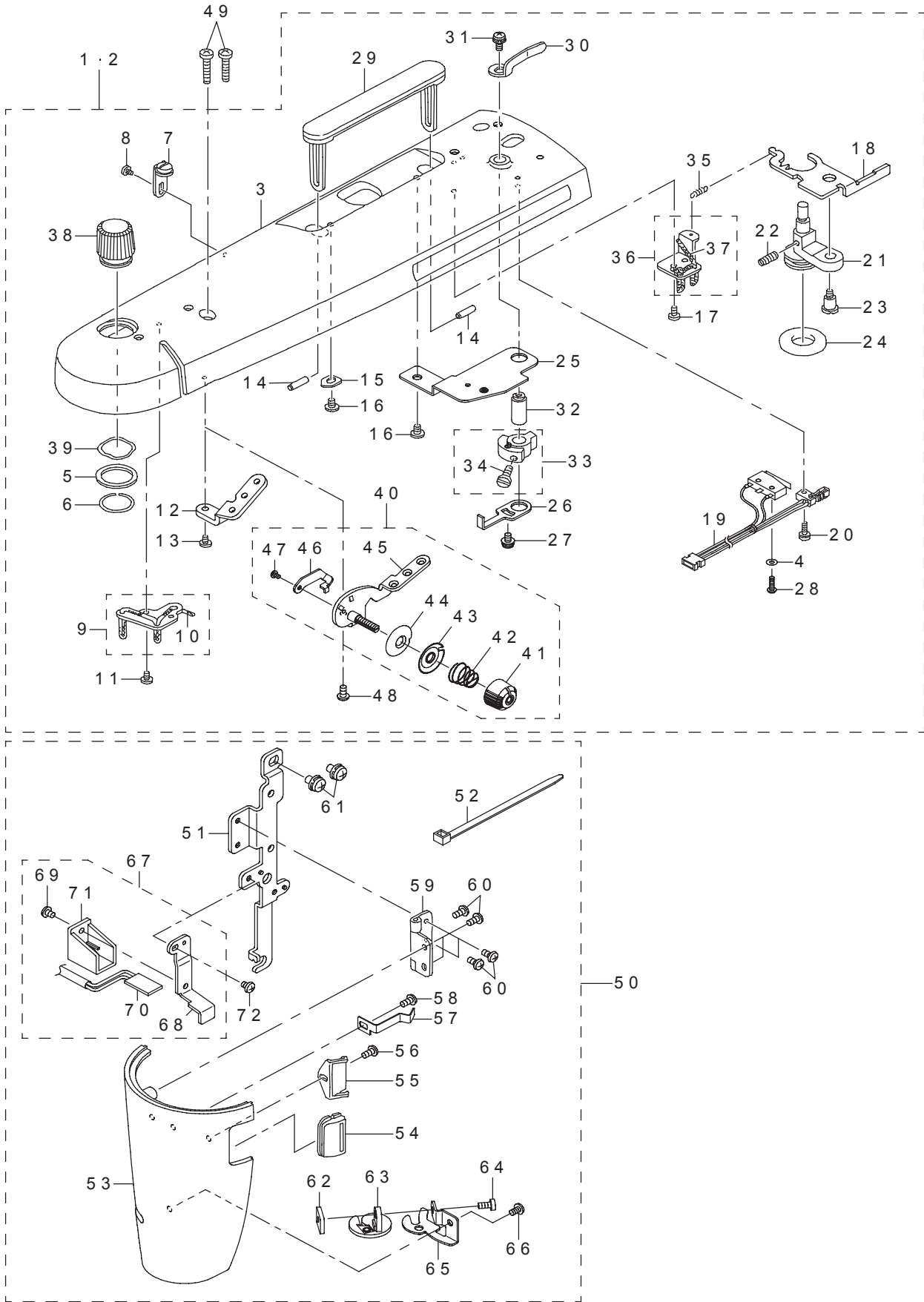
REF.NO	NOTE	PART NO	DESCRIPTION	Qty
1		SM-5051255-SN	SCREW	6
2		A1120-202-000	BOBBIN WINDER DEFLECTION STOPPER	1
3		A1121-090-000	BOBBIN WINDER SHEET	1
4		A7105-D25-000	MOTOR COVER	1
5		SM-5041255-SN	SCREW	3
6		A1109-E98-ZC0	NEEDLE PLATE WHOLE MAS. ASM.	1
7		A1109-E98-ZB0	NEEDLE PLATE MAS. ASM.	(1)
8		A1109-E98-Z00	NEEDLE PLATE	(1)
9		A1112-090-000	SPRING	(1)
10		SM-4020201-SC	SCREW	(1)
11		A1110-D98-0A0	BOBBIN CASE COVER ASM.	(1)
12		A1112-D98-000	SIDE COVER	(1)
13		A1113-E98-ZA0	STOPPER PLATE ASM.	(1)
14		SM-4020201-SC	SCREW	(2)
15		A1118-E98-Z00	SPRING	(1)
16		RE-0300000-K0	E-RING	(1)
17	#02	A7103-H25-000	BELT COVER	1
18		SM-1040800-SL	SCREW	2
19		SM-8040602-TP	SCREW	1
20		A3114-D25-000	THREAD GUIDE	1
21		SM-5030655-SN	SCREW	1
22		A3135-096-000	THREAD TENSION THREAD GUIDE	1
23		SM-4040855-SP	SCREW	1
24		SL-5030831-SF	SCREW	1
25		A5001-090-000	CORD GUIDE	1
26		A5000-096-0A0	CORD GUIDE PLATE ASM.	1
27		A5000-096-000	CORD GUIDE PLATE	(1)
28		A5002-096-000	CLUTCH PLATE	(1)
29		A3206-030-000	SPRING	(1)
30		A2435-033-000	LINK COLLAR	(1)
31		SL-5030635-SN	SCREW	(1)
32		SM-5030655-SN	SCREW	1
33		A3128-098-000	THREAD TAKE-UP SPRING	1
34		SL-5030801-SN	SCREW	1
35		A3111-D98-000	ADJUSTING PLATE	1
36		A3122-D25-0A0-A	THREAD TENSION ASM.	1
37		A3112-090-0A0-A	THREAD TENSION POST	(1)
38		A3127-090-000-B	TENSION RELEASE PIN	(1)
39		B3126-012-000	THREAD TENSION DISK	(2)
40		A3132-D98-000	DISK PRESSER	(1)
41		A3133-D98-000	DISK PRESSER PLATE	(1)
42		B3129-012-A00	THREAD TENSION SPRING A	(1)
43		A3124-D25-000	KNOB	(1)
44		B3120-125-000	ROTATION STOPPER	(1)
45		A3124-096-A00	KNOB RATCHET	(1)
46	#01	400-96691	BELT COVER	1
47		A1160-E98-ZB0	BED COVER MAS. ASM.	1
48		A1160-E98-ZA0	BED COVER ASM.	(1)
49		A1160-090-00A	RUBBER SEAT	(4)
50		A1161-090-000	BED COVER LID	(1)
51	#01	A4519-X28-0A0	SPL. VR RELAY LEAD CABLE ASM.	1
52	#01	A4509-X28-000	SPEED LIMIT VR KNOB	1
53	#01	A4510-X28-0A0	SPEED LIMIT VR BASE ASM.	1
54	#01	A4510-X28-000	SPEED LIMIT VR BASE	(1)
55	#01	A4508-X28-0A0-A	SPEED LIMIT VR ASM.	(1)
56	#01	SM-4020301-SC	SCREW M2X0.4 L=3	(2)
57	#01	ST-5030851-SN	SCREW M3 L=8	2
58		400-82787	THREAD_GUIDE_POST_L	1
59		A3811-550-000	CORD HOLDER	1
60		SM-5040601-SE	SCREW	1
61		A4078-550-00B	CLIP BAND	1
62		A4078-550-00B	CLIP BAND	1
63		SM-5040655-SN	SCREW	1
64		A4502-E98-Z00	CORD GUIDE PLATE	1
65		SM-5040601-SE	SCREW M4 L=6	1
66		SM-5041055-SN	SCREW	4
67		A1116-D25-0A0	THREAD GUIDE ASM.	1
68	*	ST-4861051-SN	SCREW	(1)
69	*	A1116-D25-000	THREAD GUIDE	(1)
70	*	A1121-313-000	THREAD GUIDE BASE	(1)
71	*	A1120-313-000	THREAD GUIDE TOP	(1)
72		SM-5051255-SN	SCREW	1

NOTE

#01.....FOR TL-2010Q  
#02.....FOR TL-2000Qi

PLEASE REFER TO REMARKS FOR PARTS MARKED WITH (\*)

## 2. ARM COVER, FACE PLATE AND LAMP COMPONENTS



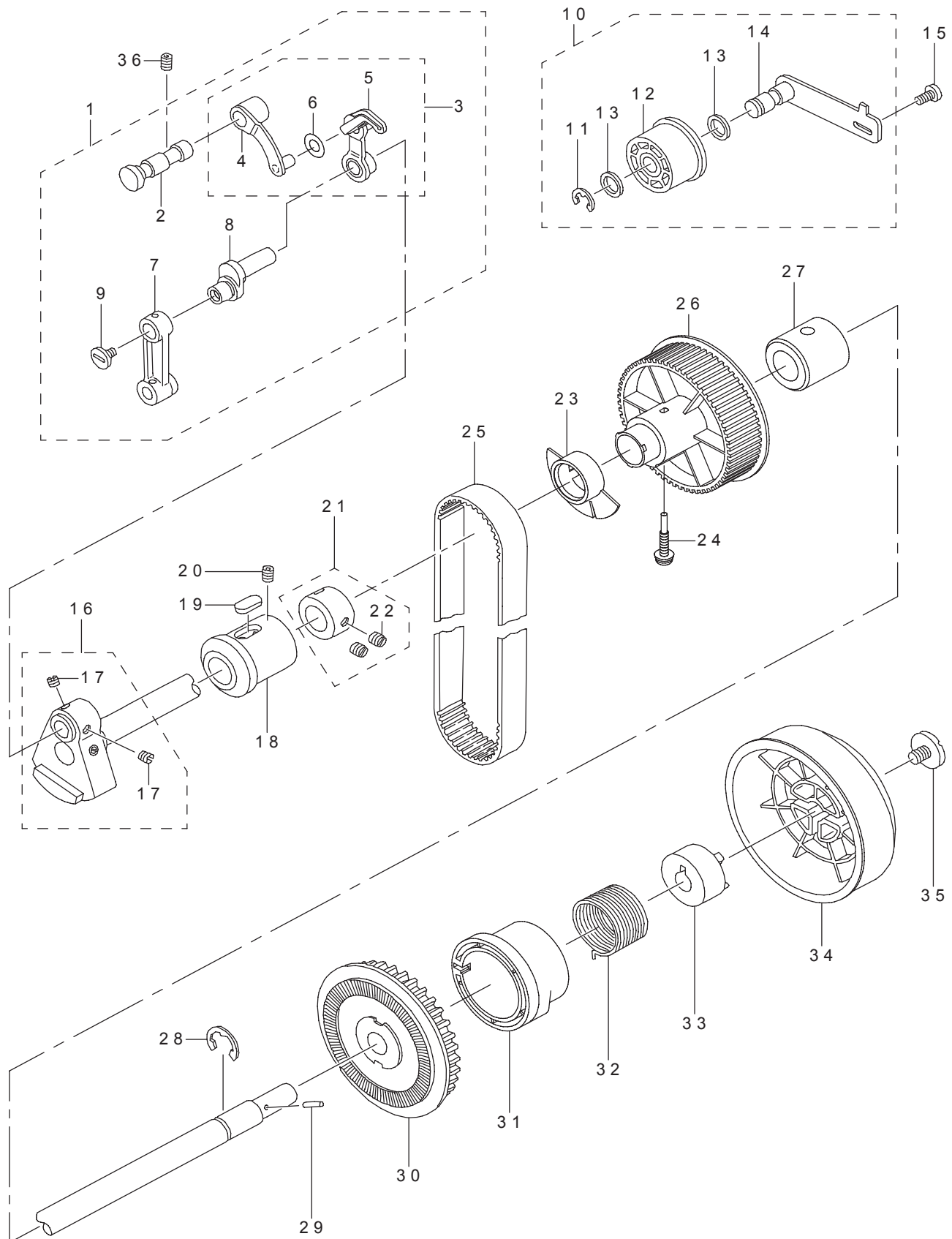
REF.NO	NOTE	PART NO	DESCRIPTION	Qty
1	#01	400-96632	ARM COVER MAS. ASM. TL2010Q	1
2	#02	400-96633	ARM COVER MAS. ASM. TL2000QI	1
3		400-68115	ARM COVER	(1)
4		WP-0250501-SC	WASHER	(1)
5		A1502-090-00B	WASHER	(1)
6		A1502-090-00A	STOP RING	(1)
7		A3231-957-0A0	THREAD GUIDE BASE ASM.	(1)
8		SM-5030655-SN	SCREW	(1)
9		A1136-090-0AA	STOPPER PLATE A ASM.	(1)
10	*	A1138-090-00A	OIL WICK A	(1)
11		SM-5030655-SN	SCREW	(1)
12	#02	A1128-096-000	THREAD GUIDE NO.1	(1)
13	#02	SM-5030655-SN	SCREW	(1)
14		A1137-090-000	HANDLE GUIDE SHAFT	(2)
15		A1138-500-000-A	WASHER	(1)
16		SM-5040655-SN	SCREW	(2)
17		SM-5030655-SN	SCREW	(1)
18		A3221-096-000	ADJUSTING PLATE	(1)
19		A3226-096-0A0-A	BOBBIN WINDER SWITCH ASM.	(1)
20		SL-5031031-SE	SCREW	(1)
21		A3204-090-0A0	BOBBIN WINDER ASM.	(1)
22		A3208-X28-000	SPRING	(1)
23		A3205-090-000	SCREW	(1)
24		A3216-001-00A	RUBBER RING	(1)
25		A3235-096-000	BOBBIN WINDER SWITCH INSTALLING PLATE	(1)
26		A3236-096-000	CONTACT PLATE	(1)
27		SL-5030635-SN	SCREW	(1)
28		SM-4831001-SF	SCREW	(1)
29		A1134-090-0A0	HANDLE ASM.	(1)
30		A3217-072-000	BOBBIN HOLDER	(1)
31		SL-5030801-SN	SCREW	(1)
32		A3218-096-000	BOBBIN HOLDER SHAFT	(1)
33		A3219-096-0A0	BOBBIN WINDER CONTROLLER ASM.	(1)
34		SM-4041055-SF	SCREW	(1)
35		A3222-090-000	SPRING	(1)
36		A1136-090-0AB	OIL WICK HOLDER PLATE B ASM.	(1)
37	*	A1138-090-00B	OIL WICK B	(1)
38		A1502-090-000	KNOB	(1)
39		A1502-090-00C	WASHER	(1)
40	#01	A1128-X28-0B0	FIRST TENSION BASE MAS. ASM.	(1)
41	#01	A1127-X28-000	FIRST TENSION KNOB	(1)
42	#01	A1126-X28-000	FIRST TENSION SPRING	(2)
43	#01	A3190-030-Z00	TENSION BASE B	(1)
44	#01	A3189-030-Z00	TENSION BASE A	(1)
45	#01	A1128-X28-0A0	FIRST TENSION ASM.	(1)
46	#01	A1130-X28-000	FIRST THREAD TENSION DISK FIX PLATE	(1)
47	#01	SM-5020301-SC	SCREW M2 L=3	(1)
48	#01	SM-5030655-SN	SCREW M3X0.5 L=6	(1)
49		SM-5042005-SN	SCREW M4 L=20	2
50		A3805-Q98-ZA0	FACE PLATE ASM.	1
51		A3805-096-000	FACE PLATE	(1)
52		A4078-550-00B	LAMP CLIP BAND	(2)
53		A3115-D25-000	FACE COVER	(1)
54		A3116-Q98-Z00	PRESSURE INDICATING PLATE	(1)
55		A3117-090-000	HOLDING PLATE	(1)
56		SM-5030655-SN	SCREW	(1)
57		A3119-096-000	SPRING	(1)
58		SM-5030655-SN	SCREW	(1)
59		A3118-090-0A0	FACE COVER LATCH ASM.	(1)
60		SM-5030655-SN	SCREW	(4)
61		SL-5040631-SE	SCREW	(2)
62		A3151-535-000	NUT	(1)
63		A3120-D25-0A0	THREAD TRIMMER KNIFE ASM.	(1)
64		SM-5030655-SN	SCREW	(1)
65		A3123-D25-000	KNIFE INSTALLING BASE	(1)
66		SM-5030501-SC	SCREW	(1)
67		400-96595	ASSY_LED_LAMP	(1)
68		400-96594	LED_BRACKET	(1)
69		SM-5030455-SF	SCREW M3 L=4	(1)
70		400-96551	ASSY_LED_CIRCUIT_BOARD	(1)
71		400-96593	LED_CASE	(1)
72		SM-5030455-SF	SCREW M3 L=4	(1)

NOTE

#01.....FOR TL-2010Q  
#02.....FOR TL-2000Qi

PLEASE REFER TO REMARKS FOR PARTS MARKED WITH (\*)

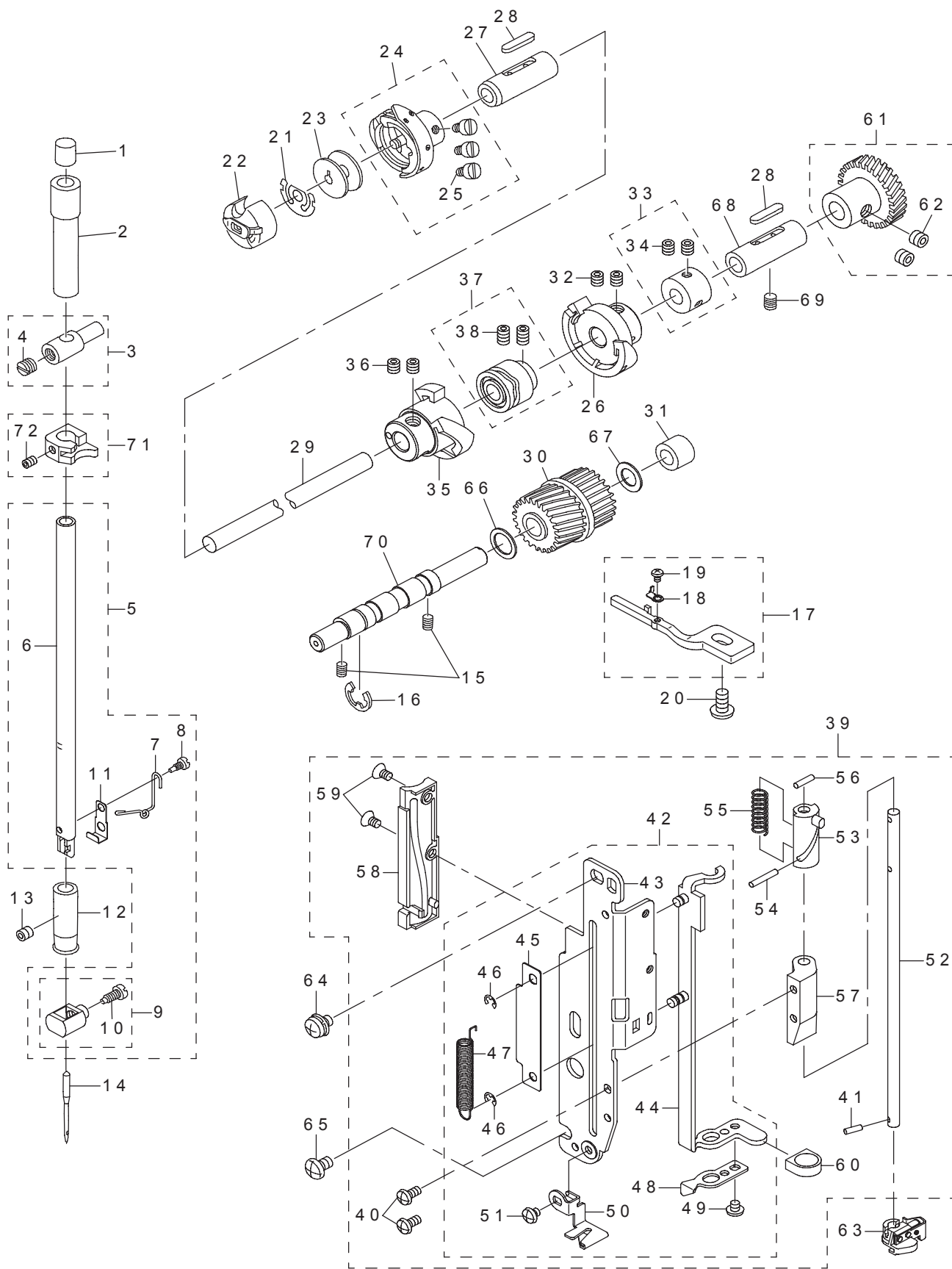
### 3. MAIN SHAFT, THREAD TAKE-UP AND IDLER COMPONENTS



REF.NO	NOTE	PART NO	DESCRIPTION	Qty
1		A1901-090-0C0	THREAD TAKE-UP MAS. ASM.	1
2		A1902-090-000	THREAD TAKE-UP SUPPORTING SHAFT	(1)
3		A1901-090-0B0	THREAD TAKE-UP ASM.	(1)
4	*	A1904-090-0A0	THREAD TAKE-UP SUPPORT ASM.	(1)
5	*	A1901-090-0A0	THREAD TAKE-UP BODY ASM.	(1)
6		WP-0620316-RZ	WASHER	(1)
7		A1408-090-000	NEEDLE BAR CRANK ROD	(1)
8		A1209-072-000	NEEDLE BAR CRANK	(1)
9		A1219-907-000	LEFT SCREW	(1)
10		A7201-090-0B0	IDLER MAS. ASM.	1
11	*	RE-0600000-K0	E-RING	(1)
12	*	A7203-090-0A0	IDLER ASM.	(1)
13	*	A7204-090-000-A	WASHER	(2)
14	*	A7201-090-0A0	IDLER INSTALLING PLATE ASM.	(1)
15		SM-5040855-SN	SCREW	1
16		A1201-D98-0A0	MAIN SHAFT ASM.	1
17		SM-8060502-TP	SCREW	(2)
18		A1202-090-000	MAIN SHAFT FRONT BUSHING	1
19		A1203-007-000	FELT	1
20		SM-8050602-TP	SCREW	1
21		A1205-090-0A0	MAIN SHAFT THRUST COLLAR ASM.	1
22		SM-8060502-TP	SCREW	(2)
23		A1210-D25-000	MAIN SHAFT DETECTOR SHIELD	1
24		A1226-D98-000	SCREW	1
25		A7110-090-000	MAIN SHAFT TIMING-BELT	1
26		A1227-D98-000	MAIN SHAFT PULLEY	1
27		A1204-090-000	MAIN SHAFT REAR BUSHING	1
28		RE-1000000-K0	E-RING	1
29		A1225-090-000	STOPPER PIN	1
30		A1232-090-000-A	MOTOR PULLEY	1
31		A1244-096-000	CLUTCH SPRING SUPPORT	1
32		A1248-096-000	CLUTCH SPRING	1
33		A1229-090-000	HAND WHEEL BUSHING	1
34		A1228-090-000-A	HAND WHEEL	1
35		A1230-500-000-A	SCREW	1
36		SM-8050602-TP	SCREW	1
	NOTE		PLEASE REFER TO REMARKS FOR PARTS MARKED WITH (*)	



#### 4. NEEDLE BAR, HOOK DRIVING SHAFT AND THREADER COMPONENTS

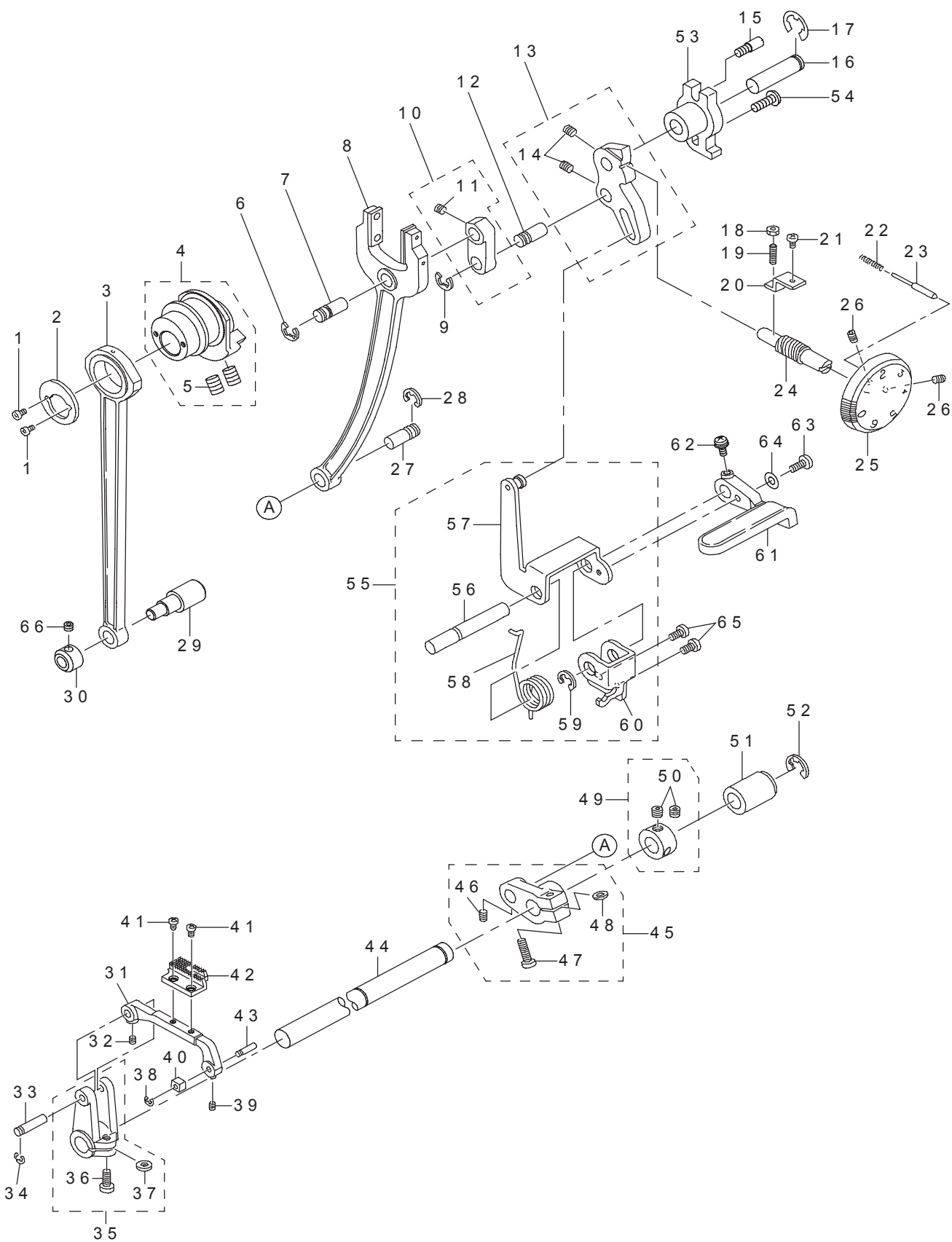


REF.NO	NOTE	PART NO	DESCRIPTION	Qty
1		A1404-072-000	FELT	1
2		A1402-090-000	NEEDLE BAR UPPER BUSHING	1
3		A1411-090-0A0	NEEDLE BAR CONNECTION ASM.	1
4		SM-8060510-SP	SCREW	(1)
5		A1401-096-0B0-A	NEEDLE BAR ASM.	1
6		A1401-096-000-A	NEEDLE BAR	(1)
7		A1416-096-00A-A	NEEDLE BAR THREAD BRACKET	(1)
8		A1420-001-000	SCREW	(1)
9		A1416-096-0A0	NEEDLE CLAMP ASM.	(1)
10	*	A1417-096-000	SCREW	(1)
11		A1402-096-000-A	NEEDLE MIS-INSERT PREVENTING PLATE	(1)
12		A1403-090-000	NEEDLE BAR LOWER-BUSHING	1
13		SM-8040402-TP	SCREW	1
14		MHA-100B1400	NEEDLE(HA 1 #14)	1
15		SM-8040602-TP	SCREW	2
16		RE-0600000-K0	E-RING	1
17		A1835-090-0A0-B	BOBBIN CASE POSITIONING FINGER ASM.	1
18	*	A1835-090-A00-A	SPRING	(1)
19	*	SM-4020301-SN	SCREW	(1)
20		SM-5040855-SN	SCREW	1
21		A1837-700-00A	IDLING PREVENTING SPRING	1
22		A1837-D25-0AB	BOBBIN CASE ASM.	1
23		A9117-007-000	BOBBIN	1
24		A1830-D25-0AA	HOOK ASM.	1
25		SS-6110560-TP	SCREW	(3)
26		A2462-D25-000	ROLLER HOLDING CAM	1
27		A1802-007-000	HOOK DRIVING SHAFT FRONT BUSHING	1
28		B1806-038-000	FELT	2
29		A1801-D98-000	HOOK DRIVING SHAFT	1
30		400-80974	HOOK_DRIVING_SHAFT_PULLEY	1
31		A1809-096-00A	ECCENTRIC SHAFT BUSHING	1
32		SM-8050402-TP	SCREW	2
33		A1891-096-0A0	HOOK DRIVING SHAFT THRUST COLLAR ASM.	1
34		SM-8040402-TP	SCREW	(2)
35		A2461-D25-000	TREAD CUTTER AUXILIARY CAM	1
36		SM-8040402-TP	SCREW	2
37		A2402-090-0A0-B	THREAD CUTTER CAM ASM.	1
38		SM-8050602-TP	SCREW	(2)
39		A1450-D25-0B0	THREAD SUPPORTING PLATE ASM.	1
40		SM-5030655-SN	SCREW	(2)
41	*	PH-0200062-C0	PIN B	(1)
42		A1450-D25-0A0	THREAD SUPPORTING PLATE ASM.	(1)
43	*	A1450-096-000	THREAD SUPPORTING PLATE	(1)
44	*	A1431-096-0A0	THREAD LEVER SUPPORTING PLATE ASM.	(1)
45	*	A1453-096-000	SLIDE PLATE	(1)
46		RE-0250000-K0	E-RING	(2)
47		A1433-096-000	SPRING	(1)
48		A1452-096-000	THREAD GUIDE	(1)
49		SM-5030355-SN	SCREW	(1)
50		A1419-D25-000-A	NEEDLE BAR THREAD GUIDE	(1)
51		SM-5030355-SN	SCREW	(1)
52	*	A1432-096-000-A	THREAD BAR	(1)
53	*	A1426-096-000	THREAD OPERATING CYLINDER A	(1)
54	*	A1432-096-00A	PIN A	(1)
55	*	A1434-096-000	SPRING	(1)
56		A1432-096-00C	PIN C	(1)
57		A1451-096-000	THREADER BAR SUPPORT	(1)
58	*	A1426-096-00B	THREADER OPERATING CYLINDER B	(1)
59		SM-1860601-SC	SCREW	(2)
60		A1430-096-000-A	THREAD LEVER	(1)
61		A1805-D98-0A0	HOOK DRIVING SHAFT GEAR ASM.	1
62		SM-8050402-TP	SCREW	(2)
63		A1440-D25-0A0-A	THREADER HOOK HOLDER ASM.	1
64		SL-5040631-SE	SCREW	1
65		SM-4040655-SN	SCREW	1
66		WP-0850616-SP	WASHER A	1
67		WP-0700616-SP	WASHER B	1
68		A1804-007-000	HOOK DRIVING SHAFT REAR BUSHING	1
69		SM-8050602-TP	SCREW	1
70		A1809-D98-000	PULLY ECCENTRIC SHAFT	1
71		A1413-096-0A0	NEEDLE ROD GUIDE ASM.	1
72		SM-8030402-TP	SCREW	(1)

NOTE

PLEASE REFER TO REMARKS FOR PARTS MARKED WITH (\*)

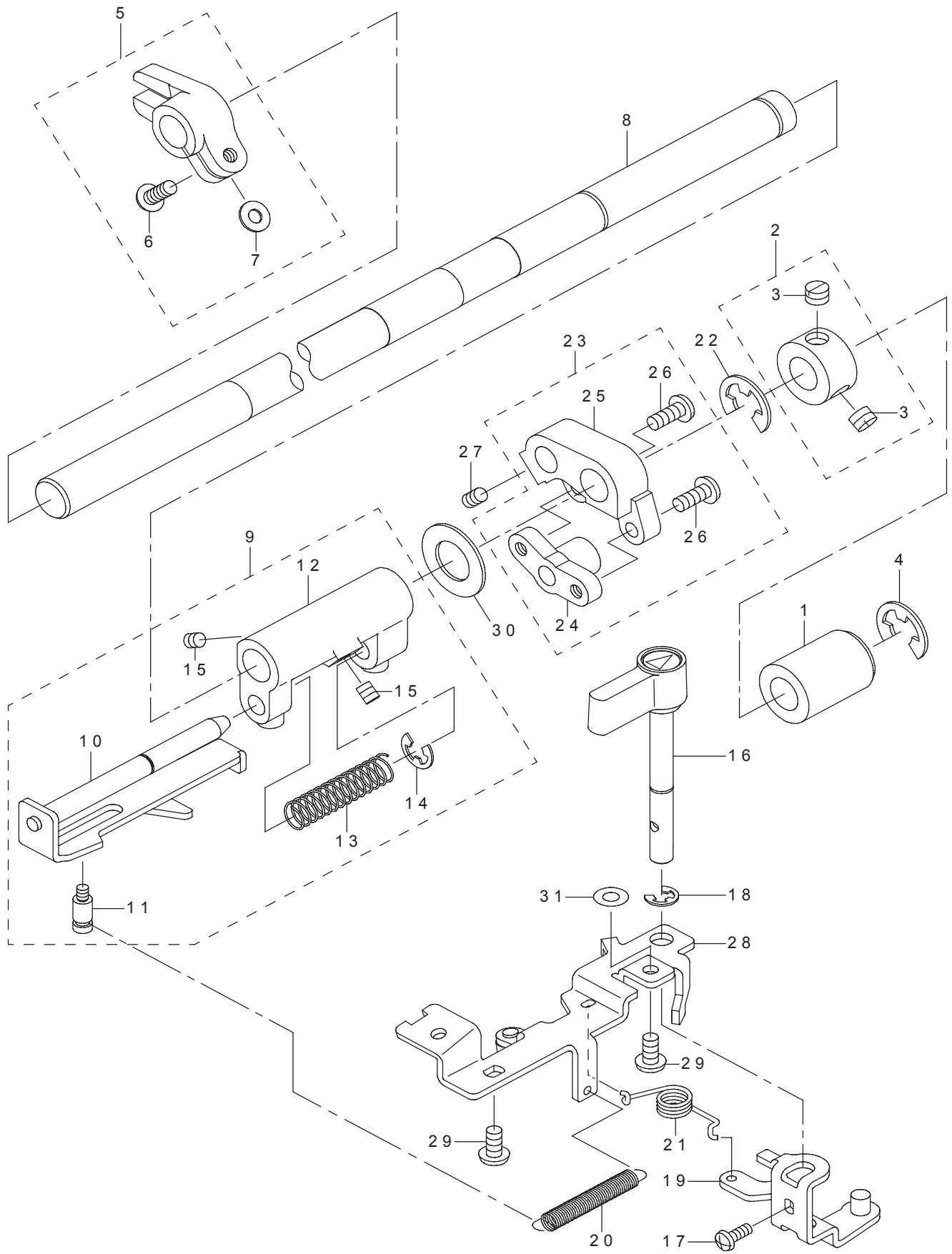
# 5. FEED MECHANISM COMPONENTS



REF.NO	NOTE	PART NO	DESCRIPTION	Qty
1		SM-4860655-SN	SCREW	2
2		A1208-090-000	FEED CAM THRUST PLATE	1
3		A1701-090-000	FEED ROD	1
4		A1207-090-0A0	FEED CAM ASM.	1
5		SM-8060802-TP	SCREW	(2)
6		RE-0600000-K0	E-RING	3
7		A1618-090-000	CONNECTING SHAFT	1
8		A1614-090-0A0	FORKED ROD ASM.	1
9		RE-0600000-K0	E-RING	1
10		A1619-090-0A0	FORKED LINK ASM.	1
11		SM-8050602-TP	SCREW	(1)
12		A1618-090-000	FORKED ROD SHAFT	1
13		A1622-090-0A0	FEED REGULATOR ASM.	1
14		SM-8050602-TP	SCREW	(2)
15		A1627-090-000-A	ROTATION STOPPER	1
16		A1625-090-000-A	FEED REGULATOR SHAFT	1
17		RE-0600000-K0	E-RING	1
18		NM-6030002-SF	NUT	1
19		SM-8031400-TP	SCREW	1
20		A1653-090-000	STOPPER	1
21		SM-5030655-SN	SCREW	1
22		A1148-D25-000	SPRING	1
23		A1147-090-000	PIN	1
24		A1652-090-000	SCREW	1
25		A1647-096-0A0-A	FEED DIAL ASM.	1
26		SM-8030402-TP	SCREW	2
27		A1618-090-000	FORKED ROD CONNECTING SHAFT	1
28		RE-0600000-K0	E-RING	1
29		400-61235	FEED ROD CONNECTING SHAFT	1
30		073195006000	THRUST COLLAR	1
31		A1602-090-000	FEED BASE	1
32		SM-8030502-TP	SCREW	1
33		A1603-090-000	FEED BASE SHAFT	1
34		RE-0300000-K0	E-RING	1
35		A1605-090-0A0	FEED SHAFT ARM ASM.	1
36		SM-4041055-SP	SCREW	(1)
37		WP-0430801-SD	WASHER	(1)
38		RE-0200000-K0	E-RING	1
39		SM-8030502-TP	SCREW	1
40		A1710-090-000	FEED BASE SQUARE BLOCK	1
41		A1606-090-000	SCREW	2
42		A1635-090-000	FEED DOG A	1
43		A1711-090-000	SQUARE BLOCK SHAFT	1
44		A1601-096-000	FEED ROD SHAFT	1
45		A1612-090-0A0	FEED ROD ARM ASM.	1
46		SM-8040602-TP	SCREW	(1)
47		SM-5041455-SP	SCREW	(1)
48		WP-0430801-SD	WASHER	(1)
49		A1203-008-0A0	THRUST COLLAR ASM.	1
50		SM-8060502-TP	SCREW	(2)
51		A1604-090-000	REAR BUSHING	1
52		RE-0800000-K0	E-RING	1
53		A1626-090-000-A	FEED REGULATOR SHAFT BUSHING	1
54		SM-5041255-SN	SCREW	1
55		A1620-090-0B0	FEED REGULATOR LEVER ARM(PARTIAL ASM.)	1
56	*	A1621-090-000	FEED REGULATOR LEVER SHAFT	(1)
57	*	A1620-090-0A0	FEED REGULATOR LEVER ARM ASM.	(1)
58	*	A1683-090-000	SPRING	(1)
59	*	RE-0600000-K0	E-RING	(1)
60	*	A1623-090-000	INSTALLING PLATE	(1)
61		A1628-090-000-A	FEED REGULATOR LEVER	1
62		SL-5030831-SF	SCREW	1
63		SM-5041055-SN	SCREW	1
64		WP-0430801-SC	WASHER	1
65		SM-5040855-SN	SCREW	2
66		SM-8040302-TP	SETScrew	1

NOTE PLEASE REFER TO REMARKS FOR PARTS MARKED WITH (\*)

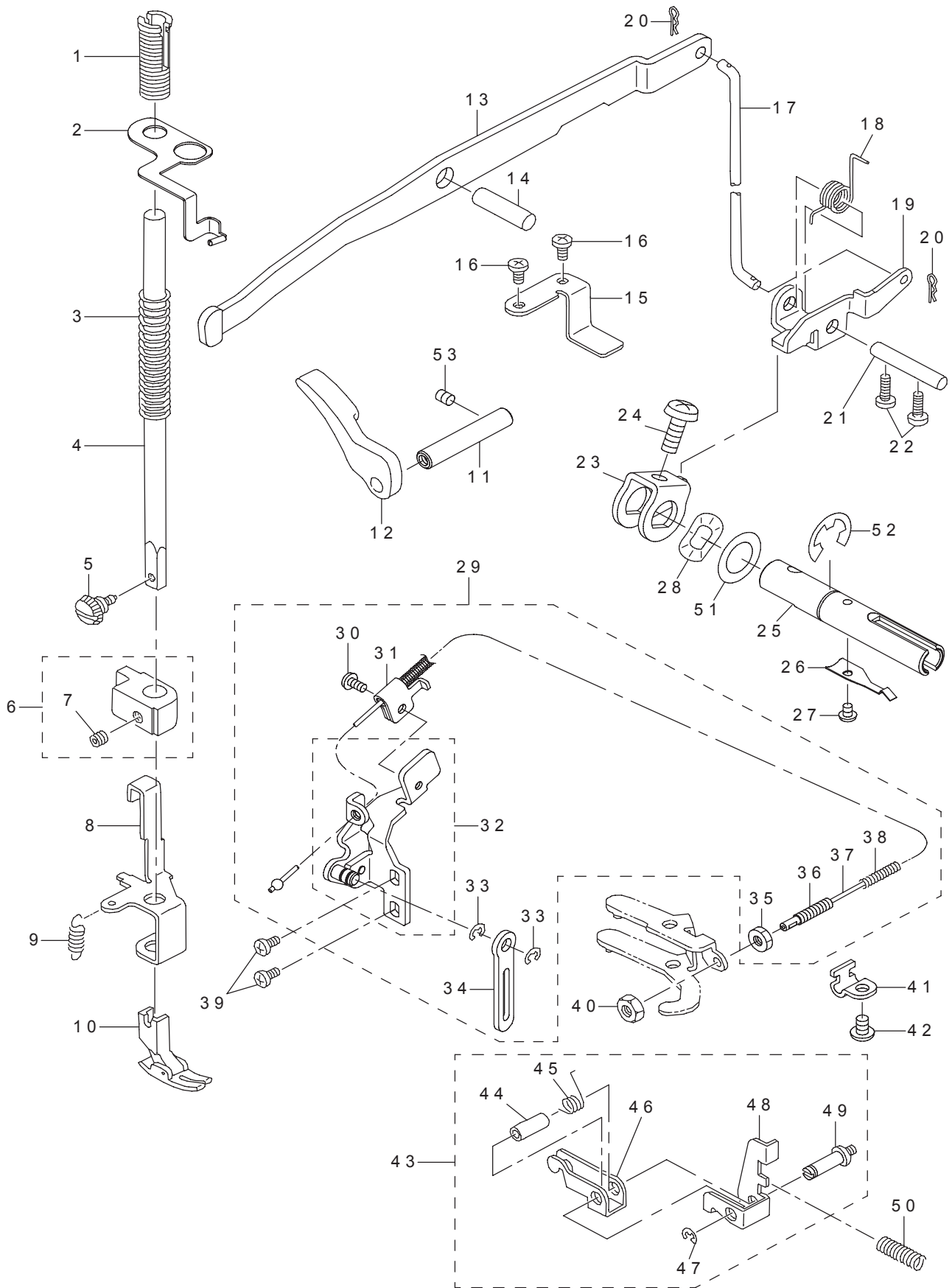
## 6. DROP FEED KNOB COMPONENTS



REF.NO	NOTE	PART NO	DESCRIPTION	Qty
1		A1604-090-000	VERTICAL FEED SHAFT REAR METAL	1
2		A1203-008-0A0	THRUST COLLAR ASM.	1
3		SM-8060502-TP	SCREW	(2)
4		RE-0800000-K0	E-RING	1
5		A1704-090-0A0	VERTICAL FEED SHAFT ARM ASM.	1
6		SM-4041055-SP	SCREW	(1)
7		WP-0430801-SD	WASHER	(1)
8		A1601-096-000	VERTICAL FEED SHAFT	1
9		A1665-096-0B0-A	DROP FEED CHANGE SHAFT PLATE MAS. ASM.	1
10		A1665-096-0A0-A	DROP FEED CHANGE SHAFT PLATE ASM.	(1)
11		A1663-096-000	GUIDE PIN A	(1)
12		A1662-096-000	GUIDE	(1)
13		A1667-096-000	SPRING	(1)
14		RE-0500000-K0	E-RING	(1)
15		SM-8040402-TP	SCREW	(2)
16		A1674-X28-0A0	DROP FEED KNOB ASM.	1
17		SM-5030855-SN	SCREW	1
18		RE-0400000-K0	E-RING	1
19		A1671-096-0A0-A	DROP FEED ADJUSTING ARM ASM.	1
20		A1668-096-000	GUIDE SPRING	1
21		A1673-096-000	SPRING	1
22		RE-0800000-K0	E-RING	1
23		400-61238	VERTICAL FEED ARM ASM.	1
24	*	400-61236	DROP FEED CONNECTING SHAFT SUP	(1)
25	*	400-61237	VERTICAL FEED ARM	(1)
26		SM-3041052-TN	SCREW M4 L=10	(2)
27		SM-8040602-TP	SCREW	1
28		A2446-096-0A0	WIRE INSTALLING PLATE ASM.	1
29		SM-5040855-SN	SCREW	2
30		WP-1000316-RZ	WASHER	1
31		WP-0430801-SD	WASHER M4	1

NOTE PLEASE REFER TO REMARKS FOR PARTS MARKED WITH (\*)

## 7. PRESSER, KNEE LIFTER, WIRE HOLDER AND THREAD RELEASE COMPONENTS

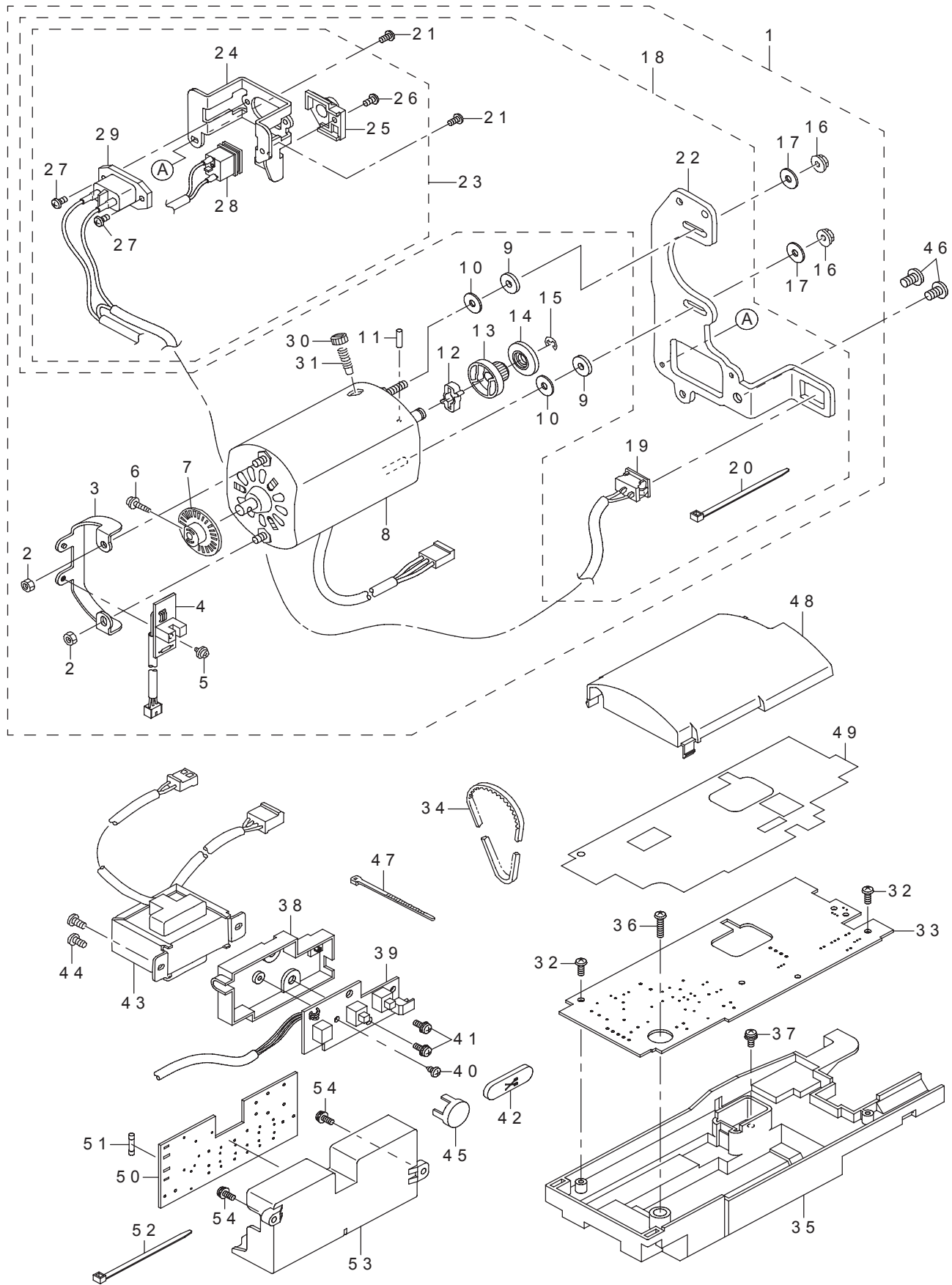


REF.NO	NOTE	PART NO	DESCRIPTION	Qty
1		A1509-090-000	PRESSER REGULATING SCREW	1
2		A1503-D25-0A0	PRESSURE INDICATOR ASM.	1
3		A1505-D25-000	PRESSER SPRING	1
4		A1501-090-000	PRESSER BAR	1
5		A1132-025-000	SCREW	1
6		A1507-096-0A0	PRESSER BAR CONNECTION ASM.	1
7		SM-8060502-TP	SCREW	(1)
8		400-95165	PRESSER_LEVER	1
9		A1515-090-000	SPRING	1
10		B1524-012-0A0	STANDARD PRESSER FOOT ASM.	1
11		A1513-X28-000	LIFTING LEVER SHAFT	1
12		A1512-090-000	LIFTING LEVER	1
13		400-95168	KNEE LIFTER LEVER	1
14		A3407-090-000	KNEE LIFTER LEVER SHAFT	1
15		A3408-090-000	STOPPING PLATE	1
16		SM-5040855-SN	SCREW	2
17		A3413-090-000	KNEE LIFTER LINK	1
18		A3411-090-000	SPRING	1
19		A3412-X28-000	PLATE	1
20		A3413-090-00A	SNAP PIN	2
21		A3410-090-000	CLAW LEVER SHAFT	1
22		SM-5041255-SN	SCREW	2
23		400-65584	CLAW LEVER ACTUATING PLATE	1
24		SM-5051255-SN	SCREW	1
25		A3420-X28-000	KNEE LIFTER LEVER SHAFT	1
26		A3421-X28-000	SPRING	1
27		SM-5030455-SF	SCREW	1
28		A3106-202-000	WASHER	1
29		400-95164	ALL_ASSY_WIRE HOLDER	1
30		SM-5030655-SN	SCREW	(1)
31	*	A2449-090-000	WIRE TUBE HOLDER B	(1)
32	*	400-95162	SUB_ASSY_WIRE HOLDER	(1)
33	*	RE-0300000-K0	E-RING	(2)
34	*	A2444-090-000	CONNECTING LINK	(1)
35		NS-6620310-SP	NUT	(1)
36	*	D3159-555-B00	WIRE SET SCREW	(1)
37	*	A2447-090-000	WIRE CABLE	(1)
38	*	A2448-090-000	WIRE TUBE	(1)
39		SM-5040855-SN	SCREW	2
40		NS-6620310-SP	NUT	1
41		A2441-096-000	WIRE TUBE HOLDER	1
42		SM-4040655-SN	SCREW	1
43		A1517-090-0A0	THREAD RELEASE PLATE ASM.	1
44	*	A1517-090-00C	BUSHING	(1)
45	*	A1517-090-00D	SPRING	(1)
46	*	A1517-090-00B	THREAD RELEASE PLATE B	(1)
47		RE-0300000-K0	E-RING	(1)
48	*	A1517-090-00A	THREAD RELEASE PLATE A	(1)
49	*	A1518-090-000	THREAD RELEASE PLATE SHAFT	(1)
50		A1519-090-000	SPRING	1
51		WP-1220516-RZ	WASHER 12.2X18X0.5	1
52		RE-0900000-K0	E-RING 9	1
53		SM-8040412-TP	SET SCREW M4 L=4	1

NOTE PLEASE REFER TO REMARKS FOR PARTS MARKED WITH (\*)

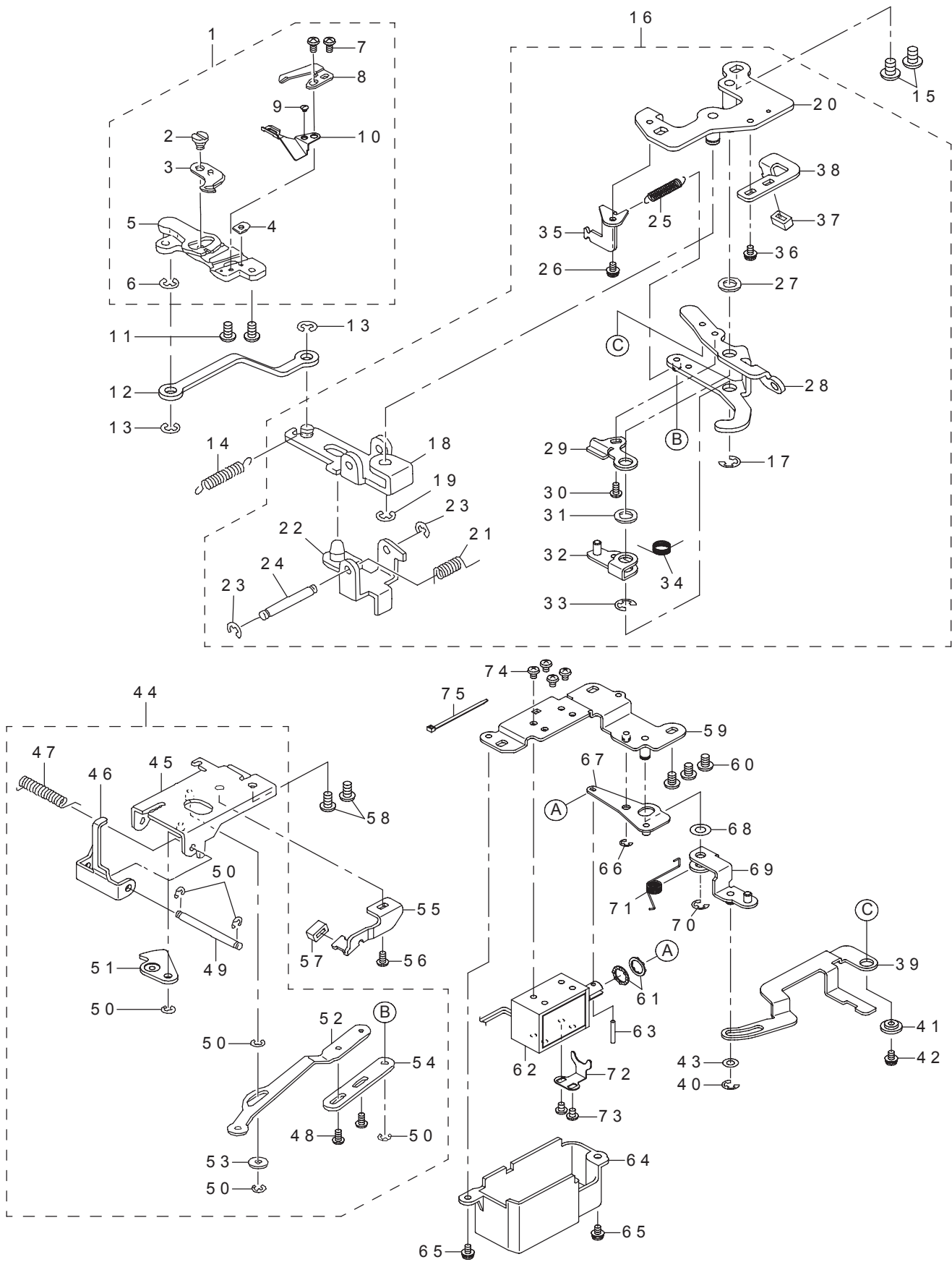


## 8. MOTOR AND MAIN CIRCUIT BOARD COMPONENTS



REF.NO	NOTE	PART NO	DESCRIPTION	Qty
1		400-96696	MOTOR_C_ASM.	1
2		NM-6040001-SC	NUT	(2)
3		A7120-096-000	MOTOR BOARD INSTALLING BASE	(1)
4		A7122-D25-0A0-A	MP DETECTION BOARD ASM.	(1)
5		SL-5030531-SF	SCREW	(1)
6		SL-5031251-SP	SCREW	(1)
7		A7121-096-0A0	MP DETECTION BOARD SHUT PLATE ASM.	(1)
8		A7100-Q98-ZA0-A	MOTOR A ASM.	(1)
9		60702001000	SPACER	(1)
10		WP-0451016-SC	WASHERS	(1)
11		PS-0200142-KP	MOTOR SHAFT PULLEY PIN	(1)
12		A7100-009-00C	MOTOR RUBBER CUSHION	(1)
13		A7100-D98-00A	MOTOR SHAFT PULLEY	(1)
14		A7100-D98-00B	PULLEY FLANGE	(1)
15		RE-0400000-KR	E-RING	(1)
16		NM-3040550-SC	NUT	(2)
17		A7113-D25-000	WASHER	(1)
18		400-96694	MOTOR_BRACKET_ASM.	(1)
19		A4032-01S-Z00	POWER SWITCH	(1)
20		A4078-550-00B	CLIP BAND	(1)
21		SM-5030655-SN	SCREW	(2)
22		A7101-090-000	MOTOR BRACKET	(1)
23		400-96693	INLET_INSTALLING_PLATE_ASM_UL	(1)
24		400-96587	INLET_INSTALLING_PLATE	(1)
25		400-96588	CONNECTOR_MOUNT	(1)
26		SM-5030655-SN	SCREW M3X0.5 L=6	(1)
27		SM-5030655-SN	SCREW M3X0.5 L=6	(2)
28		400-96550	ASSY_CONT_SOCKET	(1)
29		400-96549	POWER CORD INLET ASM.	(1)
30		A7100-090-00E	BRUSH CAP	(2)
31		A7100-090-00D	CARBON BRUSH	(2)
32		ST-5030851-SN	SCREW	2
33		400-96747	MAIN BOARD ASM.	1
34		A7112-090-000	MOTOR TIMING BELT	1
35		A4043-D25-000-A	POWER BOARD COVER	1
36		SM-5031401-SE	SCREW B	1
37		SL-5030831-SF	SCREW A	1
38		A3225-096-000	THREAD TRIMMER SWITCH BOARD CASE	1
39		A3227-D25-0B0-A	THREAD TRIMMER SWITCH BOARD ASM.	1
40		ST-5030551-SR	SCREW	1
41		SL-5030831-SF	SCREW	2
42		A3228-D25-000	THREAD TRIMMER SWITCH BUTTON	1
43		A4505-Q98-ZA0-A	POWER TRANSFORMER ASM.	1
44		SM-5040855-SN	SCREW	2
45		A4011-096-000-A	HALF STITCH SWITCH BUTTON	1
46		SM-5050855-SN	SCREW	2
47		A4078-550-00B	MAIN BOARD CLIP BAND	4
48		A4042-D25-000	CASE COVER	1
49		A4044-D25-000-A	MAIN BOARD INSULATION SEAT	1
50		A4035-Q98-ZA0-A	FILTER BOARD ASM.	1
51		HF-0059050-P0	FUSE	1
52		A4078-550-00B	FILTER BOARD CLIP BAND	1
53		A4016-D25-000	FILTER BOARD COVER	1
54		SL-5030851-SN	SCREW	1

## 9. MOVING KNIFE, LOOPER AND THREAD TRIMMER SOLENOID COMPONENTS

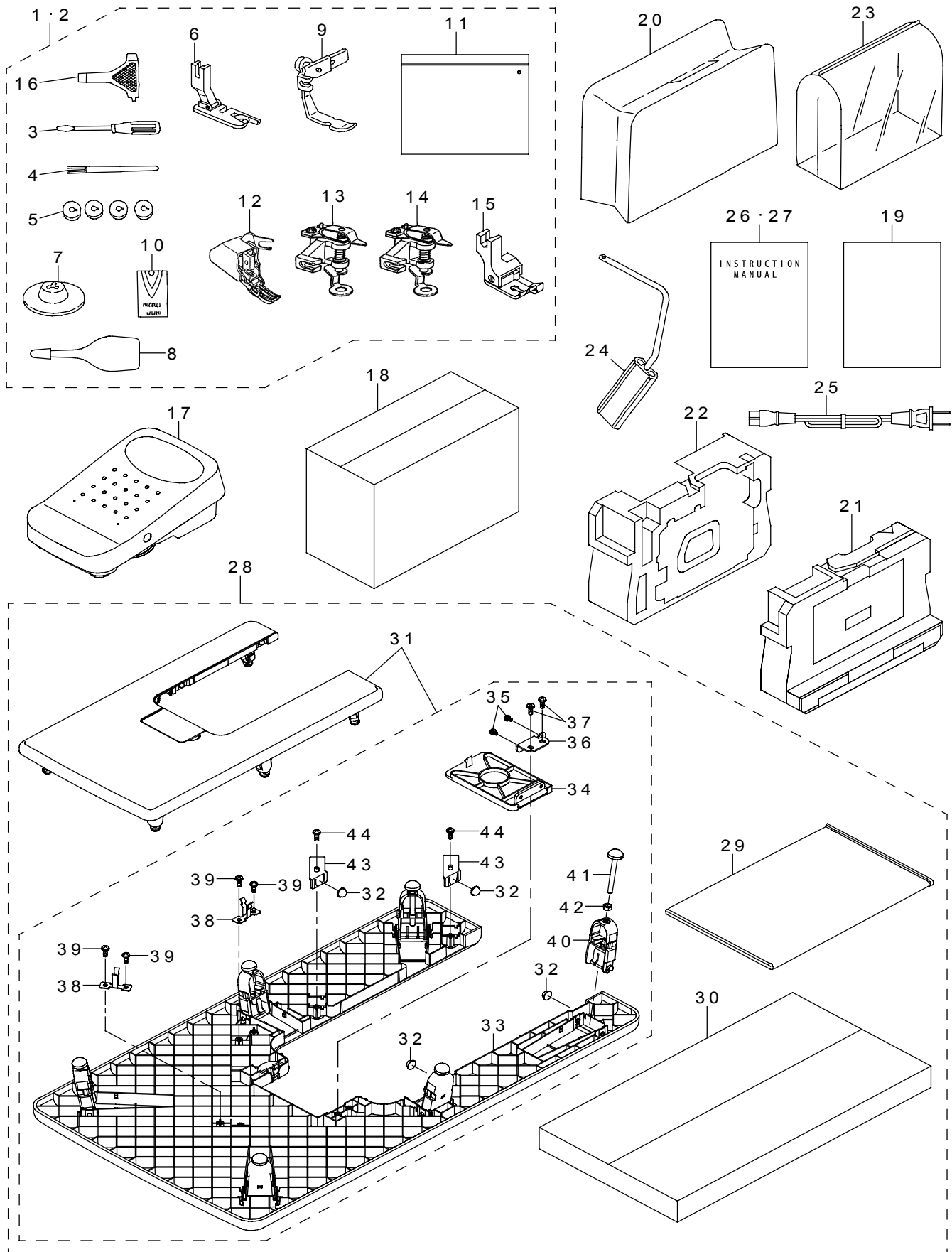


REF.NO	NOTE	PART NO	DESCRIPTION	Qty
1		A1872-090-0B0-B	MOVING KNIFE BASE MAS. ASM.	1
2	*	A1873-090-000	SCREW	(1)
3		110-40003	MOVING KNIFE	(1)
4	*	D2404-555-B00	COUNTER KNIFE MOUNTING PLATE	(1)
5	*	A1872-090-0A0	MOVING KNIFE BASE ASM.	(1)
6		RE-0400000-K0	E-RING	(1)
7		SM-5030655-SN	SCREW	(2)
8		D2406-555-D0H	COUNTER KNIFE	(1)
9		SS-2060210-SP	SCREW	(1)
10	*	A1890-090-000-B	KNIFE THREAD GUIDE	(10)
11		SM-4040855-SP	SCREW	2
12		A1882-D25-000	MOVING KNIFE LINK	1
13		RE-0400000-K0	E-RING	2
14		A1869-090-000	MOVING KNIFE ARM SPRING	1
15		SM-4050855-SP	SCREW	2
16		A1870-D25-0C0-A	MOVING KNIFE INSTALLING PLATE MAS. ASM.	1
17		RE-0500000-K0	E-RING	(1)
18	*	A1876-090-0A0	MOVING KNIFE ARM ASM.	(1)
19		RE-0500000-K0	E-RING	(1)
20	*	A1870-D25-0A0-A	MOVING KNIFE INSTALLING PLATE ASM.	(1)
21	*	A1881-090-000	SPRING	(1)
22	*	A1878-090-0A0-A	MOVING KNIFE ROLLER ARM ASM.	(1)
23		RE-0400000-K0	E-RING	(2)
24	*	A1880-090-000	ROLLER ARM SHAFT	(1)
25		A3130-700-000	SPRING	(1)
26		SL-5030631-SS	SCREW	(1)
27		A1728-090-00A	WASHER	(1)
28		A1727-D25-0A0-A	LOOPER LINK ARM ASM.	(1)
29		A1726-D25-000-A	LINK ARM FIXING PLATE	(1)
30		SM-5030631-SF	SCREW	(1)
31		A1728-090-00A	WASHER	(1)
32		A1724-D25-0A0	LINK ARM SUPPORT PLATE ASM.	(1)
33		RE-0500000-0K-0	E-RING	(1)
34		A1733-D25-000	SPRING	(1)
35		A1729-D25-000	LOOPER LINK ARM SPRING RACK	(1)
36		SL-5030631-SF	SCREW	(1)
37		A1735-D25-A00	STOPPER RUBBER	(1)
38		A1735-D25-000	LOOPER LINK ARM STOPPER PLATE	(1)
39		A1723-D25-000	THREAD TRIMMER SOLENOID LINK A	1
40		RE-0400000-K0	E-RING	1
41		A2435-033-000	COLLAR	1
42		SL-5030655-SF	SCREW	1
43		A3109-9DC-000	WASHER	1
44		A1705-D98-0B0-A	LOOPER MAS. ASM.	1
45	*	A1706-090-0A0-A	LOOPER INSTALLING ARM ASM.	(1)
46	*	A1705-D98-000	LOOPER	(1)
47	*	A1708-090-000	LOOPER SPRING	(1)
48	*	SM-5030655-SN	SCREW	(2)
49	*	A1707-090-000	LOOPER SHAFT	(1)
50	*	RE-0300000-K0	E-RING	(6)
51	*	A1712-090-0A0	LOOPER CAM ASM.	(1)
52	*	A1730-090-00A	LOOPER LINK A	(1)
53	*	WP-0450816-SC	WASHER	(1)
54	*	A1730-090-00B	LOOPER LINK B	(1)
55	*	A1732-D25-000	LOOPER STOPPER PLATE	1
56	*	SM-5030655-SN	SCREW	1
57	*	A1735-D25-A00	STOPPER RUBBER	1
58		SM-5040855-SN	SCREW	2
59		400-77579	SOLENOID_INSTALLING_BASE_ASM.	1
60		SM-5040605-5S-N	SCREW	3
61		A2470-T70-000	CUSHION RUBBER	1
62		A2400-D25-0A0-A	THREAD TRIMMER SOLENOID ASM.	1
63		PS-0200142-KP	PIN	1
64		A2401-D25-000	SOLENOID COVER	1
65		SL-5030655-SF	SCREW	2
66		RE-0300000-K0	E-RING	1
67		A2470-D25-0A0	OPERATING LINK	1
68		WP-0530516-RZ	WASHER	1
69		A2464-D25-0A0	AUXILIARY LINK ASM.	1
70		RE-0400000-K0	E-RING	1
71		A2467-D25-000	SPRING	1
72		A2469-T70-000	SOLENOID STOPPER	1
73		SM-5030355-SN	SCREW	2
74		SM-5030401-SN	SCREW	4
75		A4078-550-00B	CABLE BAND	1

NOTE

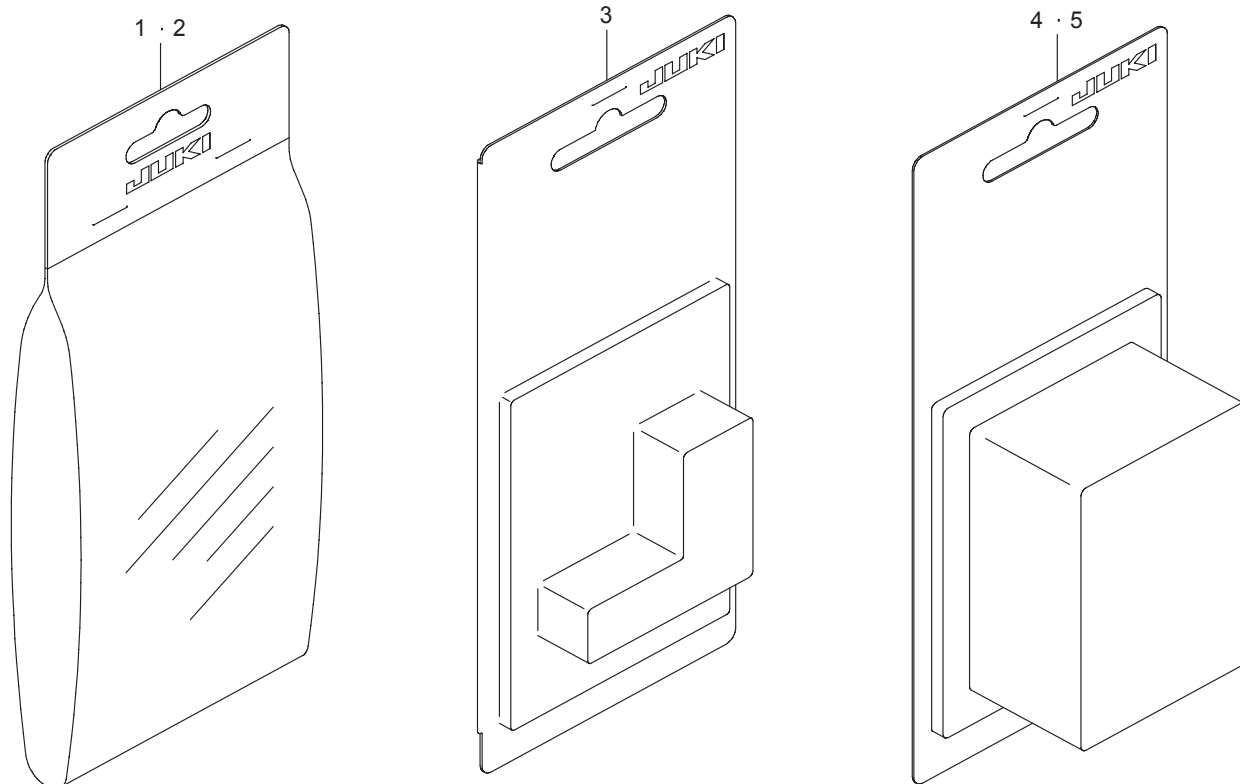
PLEASE REFER TO REMARKS FOR PARTS MARKED WITH (\*)

# 10. ACCESSORIES AND PACKING COMPONENTS



REF.NO	NOTE	PART NO	DESCRIPTION	Qty
1		A9121-Q98-ZA0-A	ACCESSORY BAG ASM.	1
2		400-98277	ACCESSORY BAG ASM.	1
3		A9103-102-000	SCREWDRIVER(MEDIUM)	(1)
4		A9137-956-000	CLEANING BRUSH	(1)
5		A9117-007-000	BOBBIN	(4)
6	#01	A9104-090-000	HEMMER	(1)
7		A1150-090-000	SPOOL CAP	(1)
8		A9102-062-BA0	OILER	(1)
9	#01	A9133-090-000	ZIPPER FOOT	(1)
10		MHA-1M111422	NEEDLE(HA 1#11,#14)	(1)
11		B9101-552-000	ACCESSORY BOX	(1)
12		A9150-E98-ZA0-A	UPPER FEED ATTACHMENT ASM.	(1)
13	#01	A5133-E98-BB0-A	1/4 QUILTING FOOT	(1)
14		A5133-E98-AB0-A	1/5 QUILTING FOOT	(1)
15		A5140-E98-ZA0	COMPENSATING FOOT ASM.	(1)
16		A9110-700-000	SCREWDRIVER	(1)
17		400-97804	FOOT_CONTROLLER_ASM. (FOR_ABROAD)	1
18		400-96731	CARTON_CASE_TL_FOREIGN	1
19		400-75482	WARRANTY_CARD(JUKI_AMERICA)	1
20		A8401-D25-000	MAIN BODY CASE	1
21		400-98221	FRONT_STYROFOAM	1
22		400-96976	REAR_STYROFOAM	1
23		J0231-082-A0B	HEAD VINIL SHEET	1
24		A3425-X28-0A0	KNEE PAD ASM.	1
25		A6071-776-ZA0-A	POWER CORD SET ASM. (UL)	1
26	#01	400-96730	INSTRUCTION_MANUAL_TL2010Q	1
27	#02	400-99412	INSTRUCTION_MANUAL_TL2000Qi	1
28		400-98601	AUXILIARY_TABLE_SET	1
29		A9404-090-000	AUXILIARY TABLE POLYETHYLENE BAG	(1)
30		400-98890	FOLDER_TYPE_BOX_ASM.	(1)
31		400-98602	AUXILIARY_TABLE_ASM.	(1)
32		A9503-E50-000	TABLE NON-SLIP	(4)
33		400-98308	AUXILIARY_TABLE	(1)
34		A8508-D98-000	BOBBIN LID	(1)
35		SL-5030635-SN	SCREW M3 L=6	(2)
36		A8509-D98-000	LID INSTALLING PLATE	(1)
37		ST-5041051-SR	TAPPING SCREW D=4 L=10	(2)
38		A8504-090-000	KNEE PAD RETAINER	(2)
39		ST-5041051-SR	TAPPING SCREW D=4 L=10	(4)
40		400-98311	TABLE_LEG	(6)
41		A9505-E50-000	SCREW	(6)
42		NM-6050002-SS	NUT M5	(6)
43		400-98312	TABLE_STOPPER_PLATE	(2)
44		ST-5041051-SR	TAPPING SCREW D=4 L=10	(2)
		NOTE	#01....FOR TL-2010Q #02....FOR TL-2000Qi	

# 11. SEPARATELY-SOLD COMPONENTS



REF.NO	NOTE	PART NO	DESCRIPTION	Qty
1		A9839-090-AA0	NEEDLE PLATE(FOR THIN MATERIALS)	1
2		A9839-090-BA0	NEEDLE PLATE(FOR THICK MATERIALS)	1
3		A9813-096-0A0-A	PRESSER FOOT FOR THIN MATERIALS ASM.	1
4		A9811-E98-AA0-A	1/5 QUILTING FOOT	1
5		A9811-E98-BA0-A	1/4 QUILTING FOOT	1





NUMERICAL INDEX OF PARTS

PART NO	PAGE	REF NO	PART NO	PAGE	REF NO	PART NO	PAGE	REF NO	PART NO	PAGE	REF NO
A7100-090-00D	16	31	RE-0400000-KR	16	15	SM-5030655-SN	4	17	ST-5030851-SN	2	57
A7100-090-00E	16	30	RE-0400000-KO	12	18	SM-5030655-SN	4	48	ST-5030851-SN	16	32
A7101-090-000	16	22	RE-0400000-KO	18	6	SM-5030655-SN	4	56	ST-5041051-SR	20	37
A7103-H25-000	2	17	RE-0400000-KO	18	13	SM-5030655-SN	4	58	ST-5041051-SR	20	39
A7105-D25-000	2	4	RE-0400000-KO	18	23	SM-5030655-SN	4	60	ST-5041051-SR	20	44
A7110-090-000	6	25	RE-0400000-KO	18	40	SM-5030655-SN	4	64			
A7112-090-000	16	34	RE-0400000-KO	18	70	SM-5030655-SN	8	40	WP-0250501-SC	4	4
A7113-D25-000	16	17	RE-0500000-KO	12	14	SM-5030655-SN	10	21	WP-0430801-SC	10	64
A7120-096-000	16	3	RE-0500000-KO	18	17	SM-5030655-SN	14	30	WP-0430801-SD	10	37
A7121-096-0A0	16	7	RE-0500000-KO	18	19	SM-5030655-SN	16	21	WP-0430801-SD	10	48
A7122-D25-0A0-A	16	4	RE-0500000-OK-0	18	33	SM-5030655-SN	16	26	WP-0430801-SD	12	7
A7201-090-0A0	6	14	RE-0600000-KO	6	11	SM-5030655-SN	16	27	WP-0430801-SD	12	31
A7201-090-0B0	6	10	RE-0600000-KO	8	16	SM-5030655-SN	18	7	WP-0450816-SC	18	53
A7203-090-0A0	6	12	RE-0600000-KO	10	6	SM-5030655-SN	18	48	WP-0451016-SC	16	10
A7204-090-000-A	6	13	RE-0600000-KO	10	9	SM-5030655-SN	18	56	WP-0530516-RZ	18	68
A8401-D20-000	20	20	RE-0600000-KO	10	17	SM-5030655-SN	12	17	WP-0620316-RZ	6	6
A8504-090-000	20	38	RE-0600000-KO	10	28	SM-5031401-SE	16	36	WP-0700616-SP	8	67
A8508-D98-000	20	34	RE-0600000-KO	10	59	SM-5040601-SE	2	60	WP-0850616-SP	8	66
A8509-D98-000	20	36	RE-0800000-KO	10	52	SM-5040601-SE	2	65	WP-1000316-RZ	12	30
A9102-062-BA0	20	8	RE-0800000-KO	12	4	SM-5040605-SS-N	18	60	WP-1220516-RZ	14	51
A9103-102-000	20	3	RE-0800000-KO	12	22	SM-5040655-SN	2	63			
A9104-090-000	20	6	RE-0900000-KO	14	52	SM-5040655-SN	4	16	073195006000	10	30
A9110-700-000	20	16	RE-1000000-KO	6	28	SM-5040855-SN	6	15			
A9117-007-000	8	23				SM-5040855-SN	8	20	110-40003	18	3
A9117-007-000	20	5	SL-5030531-SF	16	5	SM-5040855-SN	10	65			
A9121-Q98-ZA0-A	20	1	SL-5030631-SF	18	36	SM-5040855-SN	12	29	400-61235	10	29
A9133-090-000	20	9	SL-5030631-SS	18	26	SM-5040855-SN	14	16	400-61236	12	24
A9137-956-000	20	4	SL-5030635-SN	2	31	SM-5040855-SN	14	39	400-61237	12	25
A9150-E98-ZA0-A	20	12	SL-5030635-SN	4	27	SM-5040855-SN	16	44	400-61238	12	23
A9404-090-000	20	29	SL-5030635-SN	20	35	SM-5040855-SN	18	58	400-65584	14	23
A9503-E50-000	20	32	SL-5030655-SF	18	42	SM-5041055-SN	2	66	400-68115	4	3
A9505-E50-000	20	41	SL-5030655-SF	18	65	SM-5041055-SN	10	63	400-75482	20	19
A9811-E98-AA0-A	21	4	SL-5030801-SN	2	34	SM-5041255-SN	2	5	400-77579	18	59
A9811-E98-BA0-A	21	5	SL-5030801-SN	4	31	SM-5041255-SN	10	54	400-80974	8	30
A9813-096-0A0-A	21	3	SL-5030831-SF	2	24	SM-5041255-SN	14	22	400-82787	2	58
A9839-090-AA0	21	1	SL-5030831-SF	10	62	SM-5041455-SP	10	47	400-95162	14	32
A9839-090-BA0	21	2	SL-5030831-SF	16	37	SM-5042005-SN	4	49	400-95164	14	29
			SL-5030831-SF	16	41	SM-5050855-SN	16	46	400-95165	14	8
B1524-012-0A0	14	10	SL-5030851-SN	16	54	SM-5051255-SN	2	1	400-95168	14	13
B1806-038-000	8	28	SL-5031031-SE	4	20	SM-5051255-SN	2	72	400-96549	16	29
B3120-125-000	2	44	SL-5031251-SP	16	6	SM-5051255-SN	14	24	400-96550	16	28
B3126-012-000	2	39	SL-5040631-SE	4	61	SM-8030402-TP	8	72	400-96551	4	70
B3129-012-A00	2	42	SL-5040631-SE	8	64	SM-8030402-TP	10	26	400-96587	16	24
B9101-552-000	20	11	SM-1040800-SL	2	18	SM-8030502-TP	10	32	400-96588	16	25
			SM-1860601-SC	8	59	SM-8030502-TP	10	39	400-96593	4	71
D2404-555-B00	18	4	SM-3041052-TN	12	26	SM-8031400-TP	10	19	400-96594	4	68
D2406-555-D0H	18	8	SM-4020201-SC	2	10	SM-8040302-TP	10	66	400-96595	4	67
D3159-555-B00	14	36	SM-4020201-SC	2	14	SM-8040402-TP	8	13	400-96632	4	1
			SM-4020301-SC	2	56	SM-8040402-TP	8	34	400-96633	4	2
HF-0059050-P0	16	51	SM-4020301-SN	8	19	SM-8040402-TP	8	36	400-96691	2	46
			SM-4040655-SN	8	65	SM-8040402-TP	12	15	400-96693	16	23
J0231-082-A0B	20	23	SM-4040655-SN	14	42	SM-8040412-TP	14	53	400-96694	16	18
			SM-4040855-SP	2	23	SM-8040602-TP	2	19	400-96696	16	1
MHA-1M111422	20	10	SM-4040855-SP	18	11	SM-8040602-TP	8	15	400-96730	20	26
MHA-100B1400	8	14	SM-4041055-SF	4	34	SM-8040602-TP	10	46	400-96731	20	18
			SM-4041055-SP	10	36	SM-8040602-TP	12	27	400-96747	16	33
NM-3040550-SC	16	16	SM-4041055-SP	12	6	SM-8050402-TP	8	32	400-96976	20	22
NM-6030002-SF	10	18	SM-4050855-SP	18	15	SM-8050402-TP	8	62	400-97804	20	17
NM-6040001-SC	16	2	SM-4831001-SF	4	28	SM-8050602-TP	6	20	400-98221	20	21
NM-6050002-SS	20	42	SM-4860655-SN	10	1	SM-8050602-TP	6	36	400-98277	20	2
NS-6620310-SP	14	35	SM-5020301-SC	4	47	SM-8050602-TP	8	38	400-98308	20	33
NS-6620310-SP	14	40	SM-5030355-SN	8	49	SM-8050602-TP	8	69	400-98311	20	40
			SM-5030355-SN	8	51	SM-8050602-TP	10	11	400-98312	20	43
PH-0200062-C0	8	41	SM-5030355-SN	18	73	SM-8050602-TP	10	14	400-98601	20	28
PS-0200142-KP	16	11	SM-5030401-SN	18	74	SM-8060502-TP	6	17	400-98602	20	31
PS-0200142-KP	18	63	SM-5030455-SF	4	69	SM-8060502-TP	6	22	400-98890	20	30
			SM-5030455-SF	4	72	SM-8060502-TP	10	50	400-99412	20	27
RE-0200000-K0	10	38	SM-5030455-SF	14	27	SM-8060502-TP	12	3			
RE-0250000-K0	8	46	SM-5030501-SC	4	66	SM-8060502-TP	14	7	60702001000	16	9
RE-0300000-K0	2	16	SM-5030631-SF	18	30	SM-8060510-SP	8	4			
RE-0300000-K0	10	34	SM-5030655-SN	2	21	SM-8060802-TP	10	5			
RE-0300000-K0	14	33	SM-5030655-SN	2	32	SS-2060210-SP	18	9			
RE-0300000-K0	14	47	SM-5030655-SN	4	8	SS-6110560-TP	8	25			
RE-0300000-K0	18	50	SM-5030655-SN	4	11	ST-4861051-SN	2	68			
RE-0300000-K0	18	66	SM-5030655-SN	4	13	ST-5030551-SR	16	40			

# JUKI CORPORATION

2-11-1, TSURUMAKI, TAMA-SHI,  
TOKYO, 206-8551, JAPAN

PHONE:(81)42-357-2341  
FAX:(81)42-357-2345

Copyright© 2010 JUKI CORP.  
All rights reserved throughout the world.

000610